



US00D981211S

(12) **United States Design Patent**  
**Ben Baruch**

(10) **Patent No.:** **US D981,211 S**  
(45) **Date of Patent:** **\*\* Mar. 21, 2023**

(54) **LOCK**

(71) Applicant: **KETER HOME AND GARDEN PRODUCTS LTD.**, Herzliya (IL)

(72) Inventor: **Ayelet Ben Baruch**, Kibbutz Sarid (IL)

(\*\*) Term: **15 Years**

(21) Appl. No.: **35/513,772**

(22) Filed: **Jan. 6, 2022**

(80) **Hague Agreement Data**

Int. Filing Date: **Jan. 6, 2022**

Int. Reg. No.: **DM/219111**

Int. Reg. Date: **Jan. 6, 2022**

Int. Reg. Pub. Date: **Mar. 4, 2022**

(51) **LOC (14) Cl.** ..... **08-07**

(52) **U.S. Cl.**  
USPC ..... **D8/336**

(58) **Field of Classification Search**  
USPC ..... D8/336  
CPC ... E05B 63/0052; E05B 65/52; E05B 65/5246  
See application file for complete search history.

(56) **References Cited**

**U.S. PATENT DOCUMENTS**

D489,595 S \* 5/2004 Gleichauf ..... D8/336  
D603,684 S \* 11/2009 Martis ..... D8/336

D908,462 S \* 1/2021 Sunouchi ..... D8/336  
2005/0194793 A1 \* 9/2005 Vitry ..... E05C 1/12  
292/163  
2019/0000255 A1 \* 1/2019 Dehner ..... E05B 65/5246

\* cited by examiner

*Primary Examiner* — Doris Clark

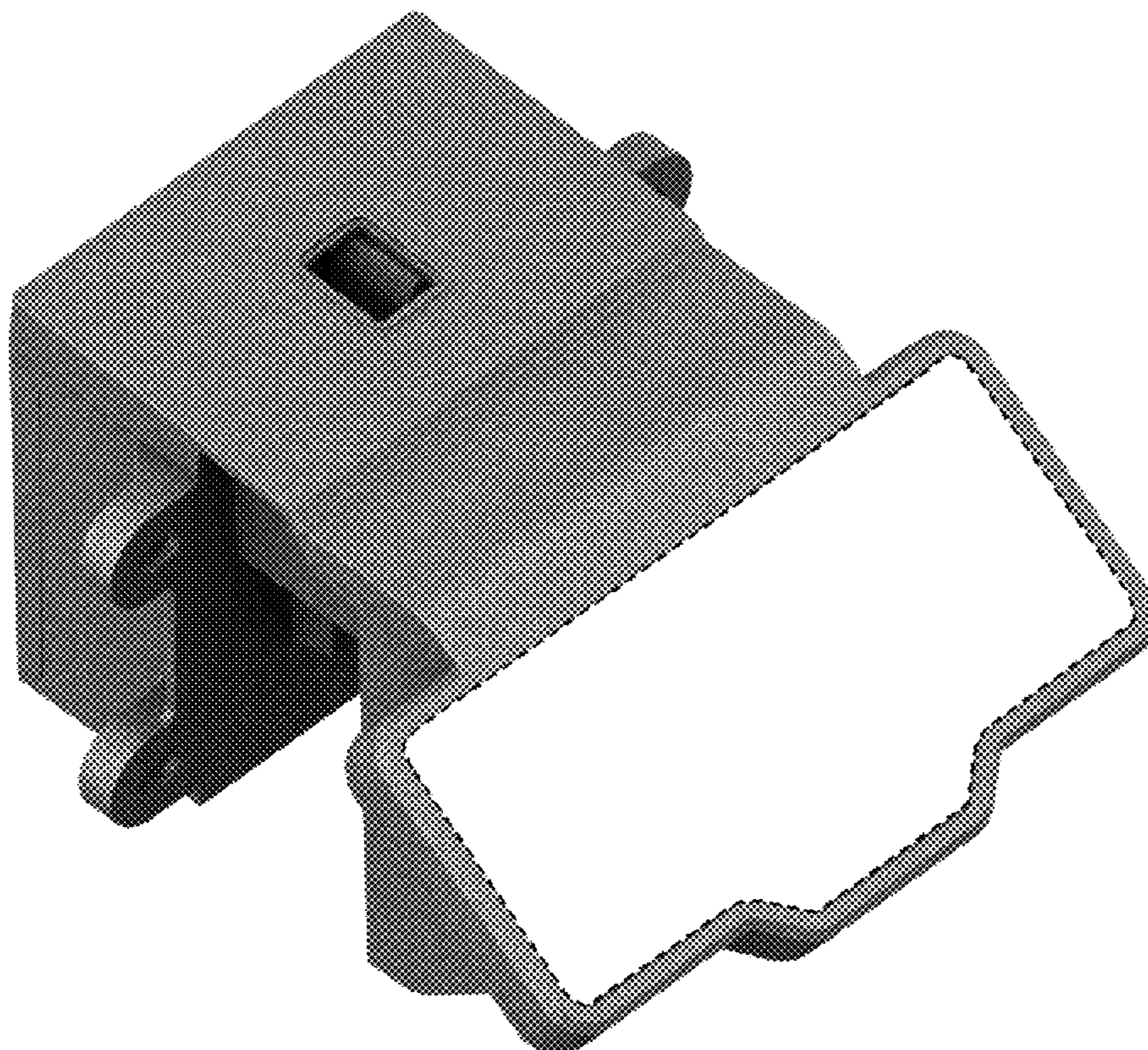
(57) **CLAIM**

The ornamental design for a lock, as shown and described.

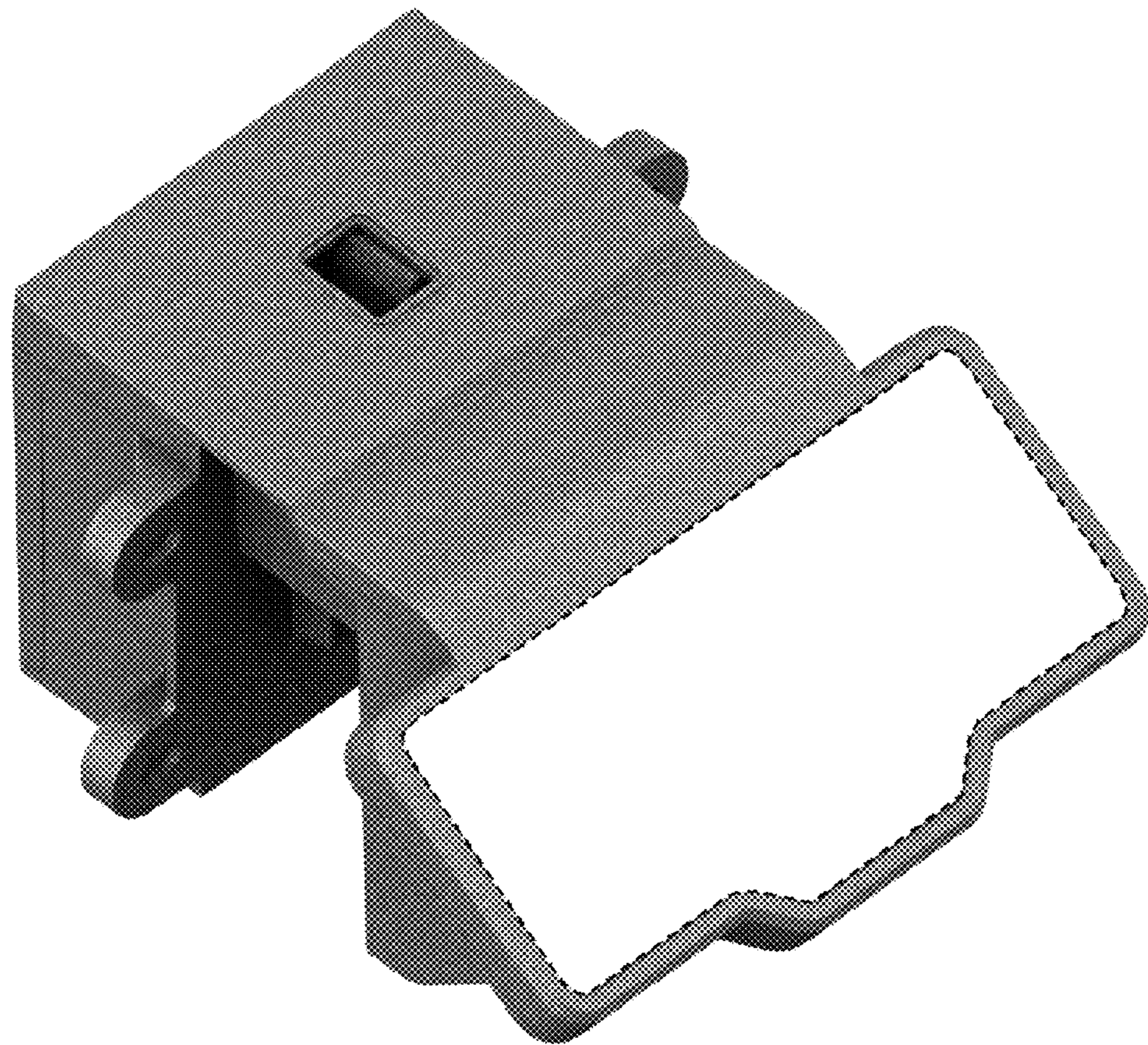
**DESCRIPTION**

1. Lock  
1.1 : Perspective [top, front and left-side]  
1.2 : Perspective [back, bottom and left-side]  
1.3 : Left  
1.4 : Right  
1.5 : Top  
1.6 : Bottom  
1.7 : Front  
1.8 : Back  
1.9 : Image of lock installed in a storage box, for Illustration  
The parts of the lock colored in white and delineated in dashed line form no part of the claimed design; the storage box shown in dash-dot-dash lines in fig. 1.9 is not part of the claimed design.

**1 Claim, 9 Drawing Sheets**

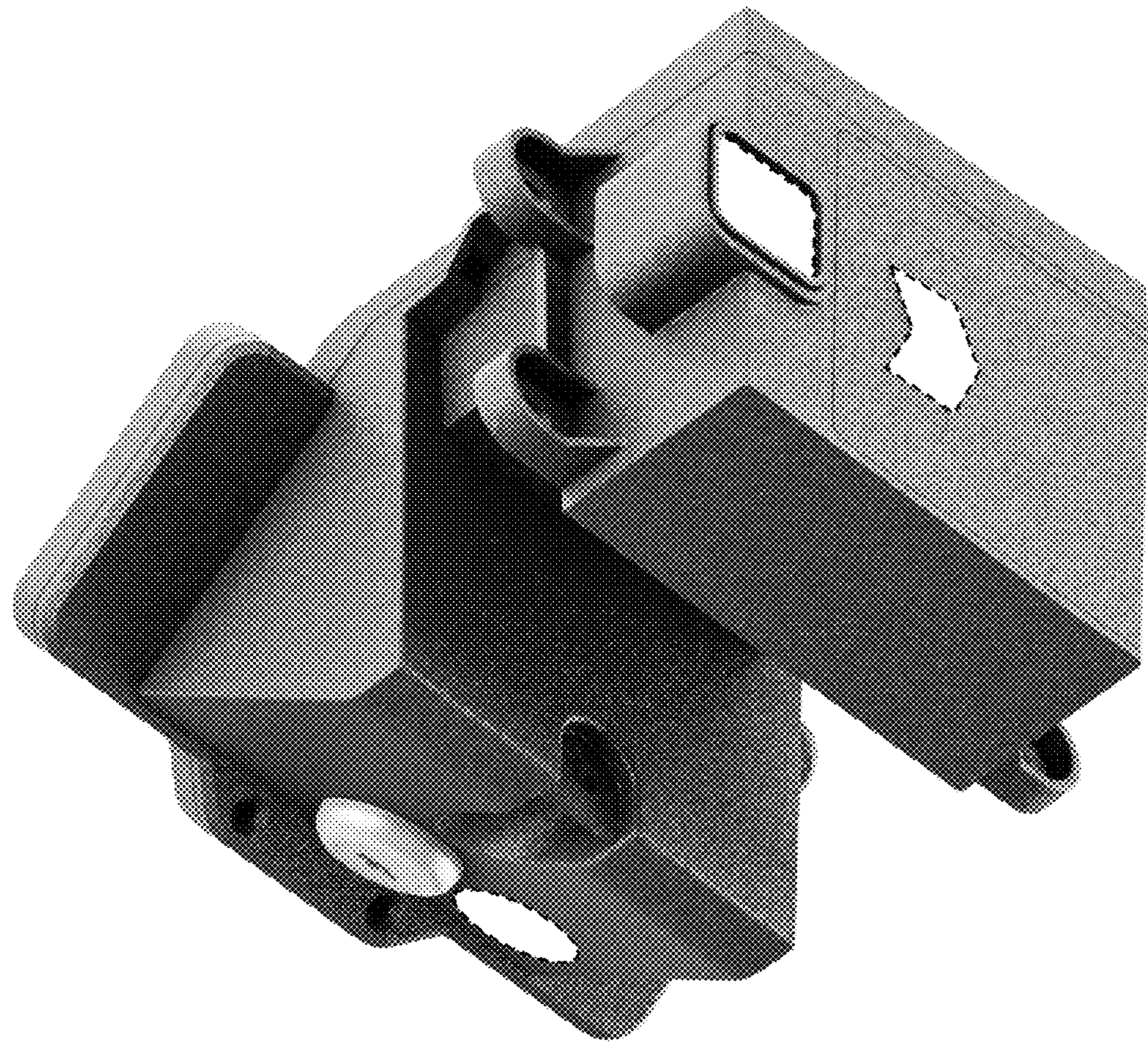


1.1



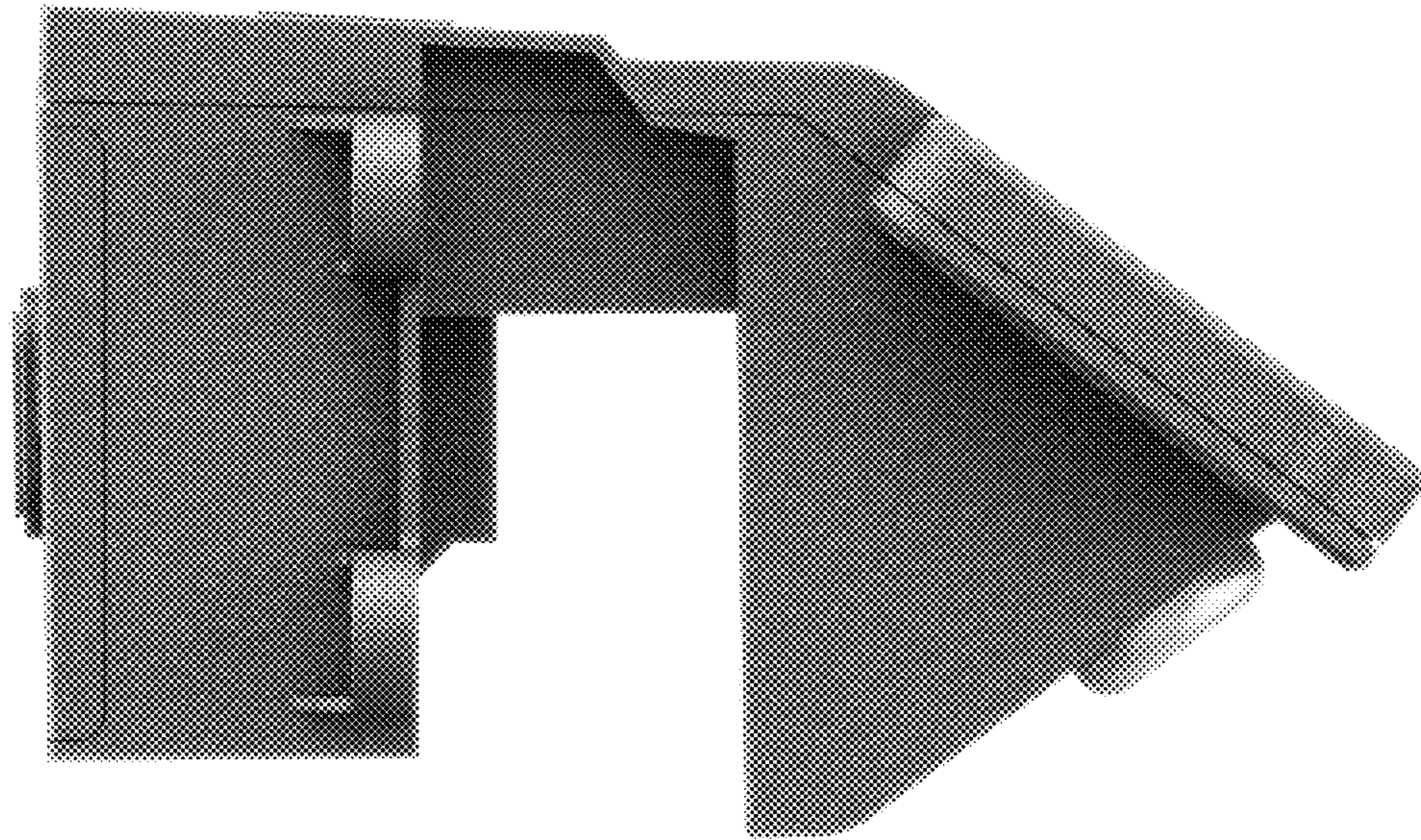


1.2



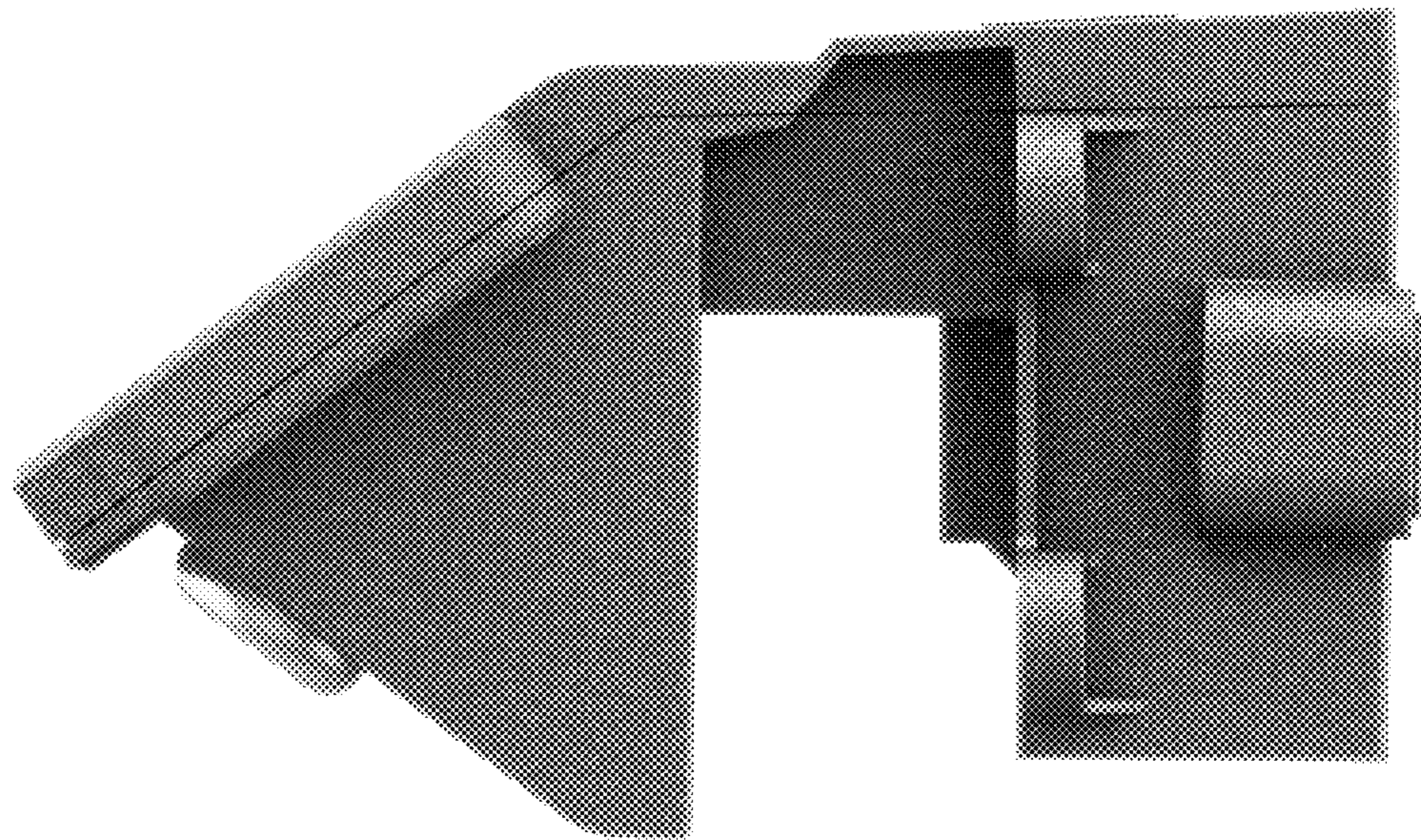


1.3



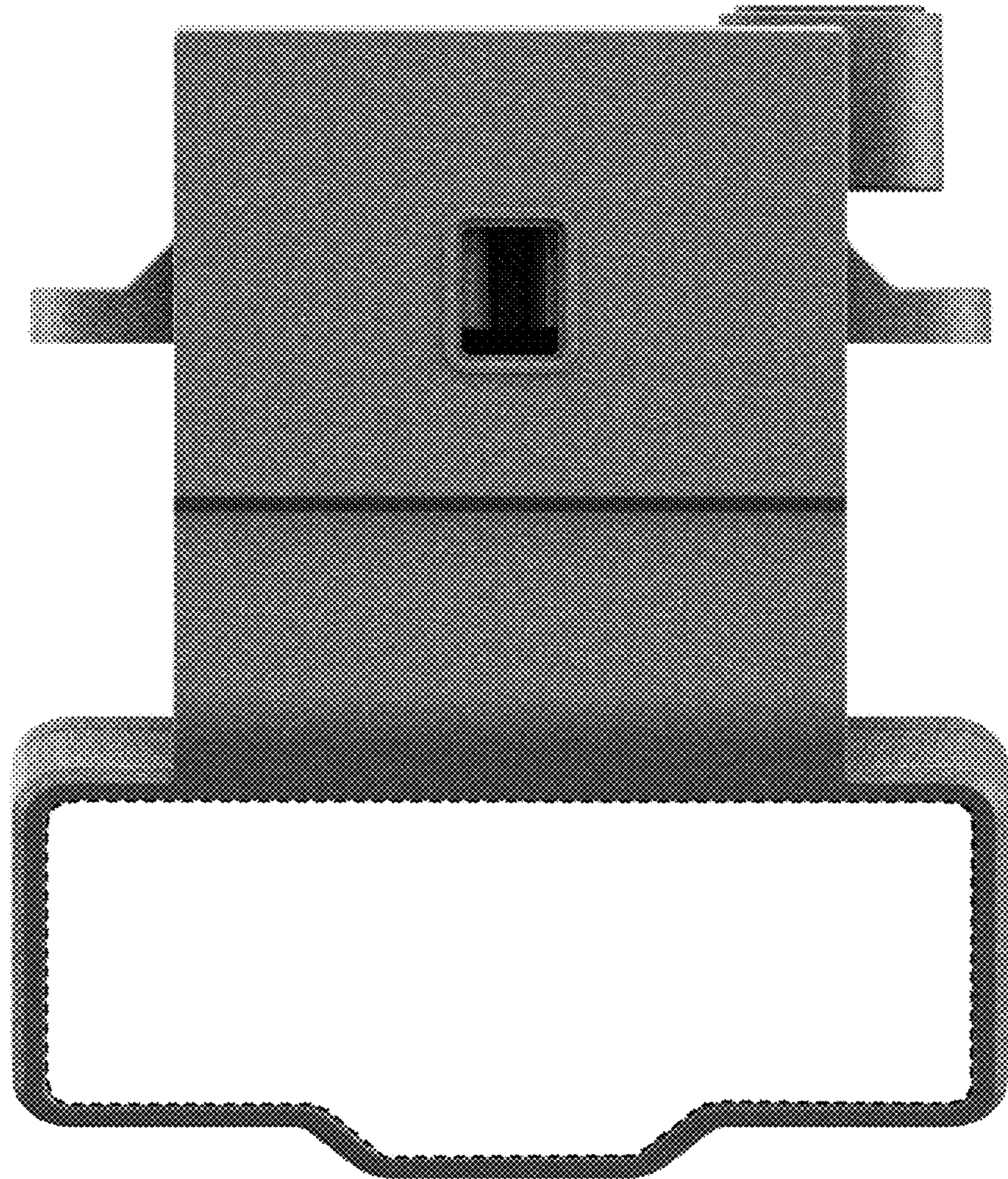


1.4



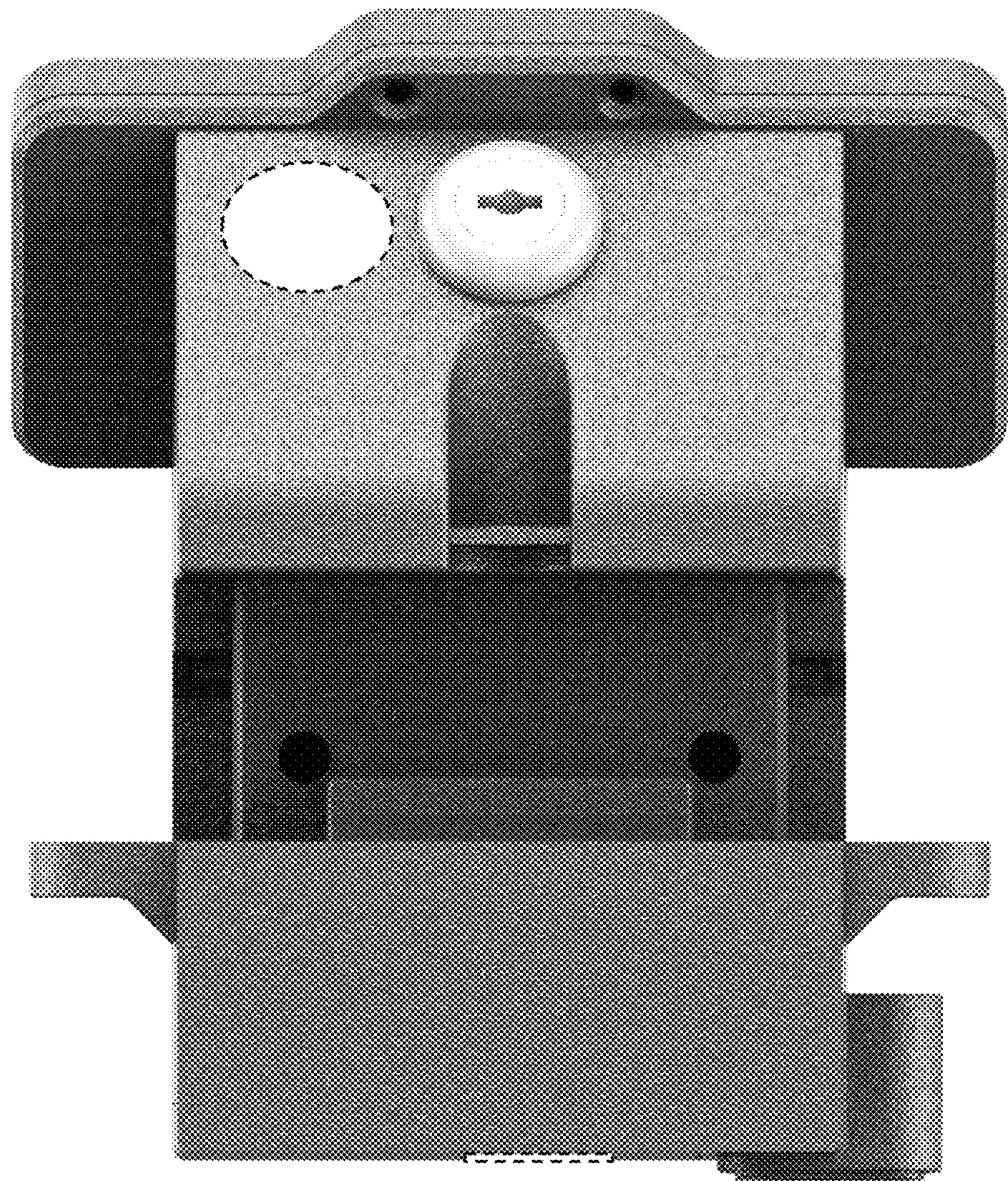


1.5



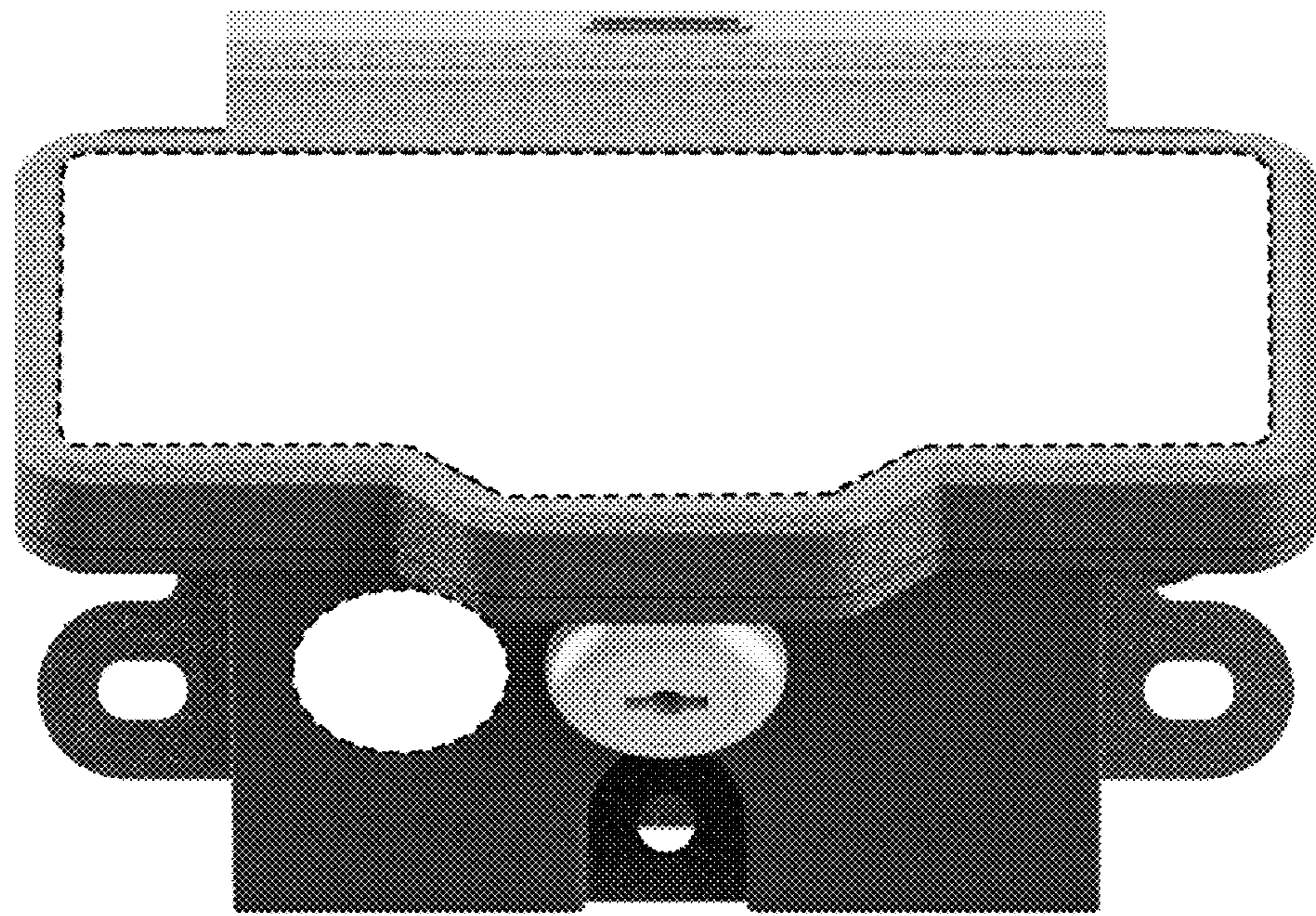


1.6



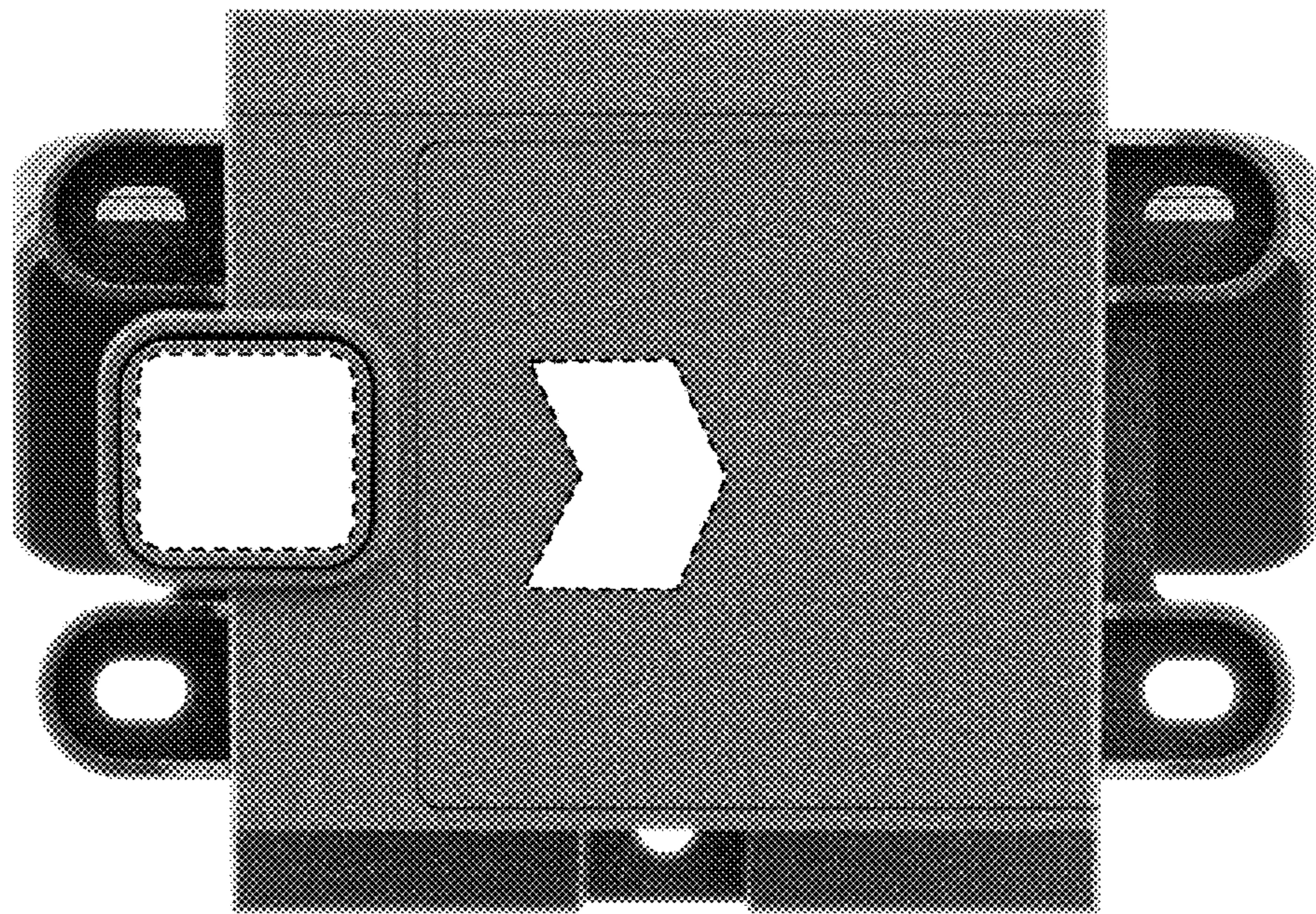


1.7





1.8





1.9

