



US00D981209S

(12) **United States Design Patent**  
**Sun et al.**

(10) **Patent No.:** **US D981,209 S**  
(45) **Date of Patent:** **\*\* Mar. 21, 2023**

(54) **SNAP ASSEMBLY**  
(71) Applicant: **JIANGSU VOK SECURITY & PROTECTIVE TECHNOLOGY CO., LTD**, Taizhou (CN)  
(72) Inventors: **Jian Sun**, Taizhou (CN); **Siqi Yao**, Taizhou (CN)  
(73) Assignee: **JiangSu VOK Security & Protective Technology Co., Ltd**, Taizhou (CN)

D499,956 S \* 12/2004 Wall ..... D8/370  
D600,102 S \* 9/2009 Larkin ..... D8/367  
D620,837 S \* 8/2010 Schiebl ..... D11/218  
D634,184 S \* 3/2011 Koehn ..... D8/373  
D661,978 S \* 6/2012 Holechek ..... D8/370  
D669,345 S \* 10/2012 Taurins ..... D8/367  
D703,516 S \* 4/2014 Wood ..... D8/370  
D703,517 S \* 4/2014 Stromberg ..... D8/370  
D706,124 S \* 6/2014 Banasik ..... D8/394  
D713,293 S \* 9/2014 Gurule ..... D11/212  
D724,413 S \* 3/2015 Hamilton ..... D8/356

(Continued)

(\*\*) Term: **15 Years**

**OTHER PUBLICATIONS**

(21) Appl. No.: **29/767,475**

Hyponix Ninja Warrior Obstacle Course, by Hyponix Sporting Store on Amazon.com. Dated May 28, 2022. Found online [Jan. 10, 2023]. <https://www.amazon.com/dp/B0BGDQF46S>.\*

(22) Filed: **Jan. 22, 2021**

(51) **LOC (14) Cl.** ..... **08-07**

(52) **U.S. Cl.**  
USPC ..... **D8/333**

*Primary Examiner* — Eliza Z Harvey

*Assistant Examiner* — Kayla Marie Bennett

(74) *Attorney, Agent, or Firm* — CBM Patent Consulting, LLC

(58) **Field of Classification Search**  
USPC ..... D8/370, 373, 333, 371; D11/1, 2, 200, D11/201, 203, 204, 206, 210, 212, 214; D24/128, 127, 118  
CPC . D06F 55/00; A41B 3/08; A41F 15/02; F16B 45/02; Y10T 24/45277; A44B 11/26; A44B 11/25; A44B 11/06; A45F 2200/0575; G01B 5/18; H02G 11/02; B65H 75/4476; B65H 2701/353; B65H 75/241; B65H 75/28; E04G 21/1825

See application file for complete search history.

(57) **CLAIM**

The ornamental design for a snap assembly, as shown and described.

**DESCRIPTION**

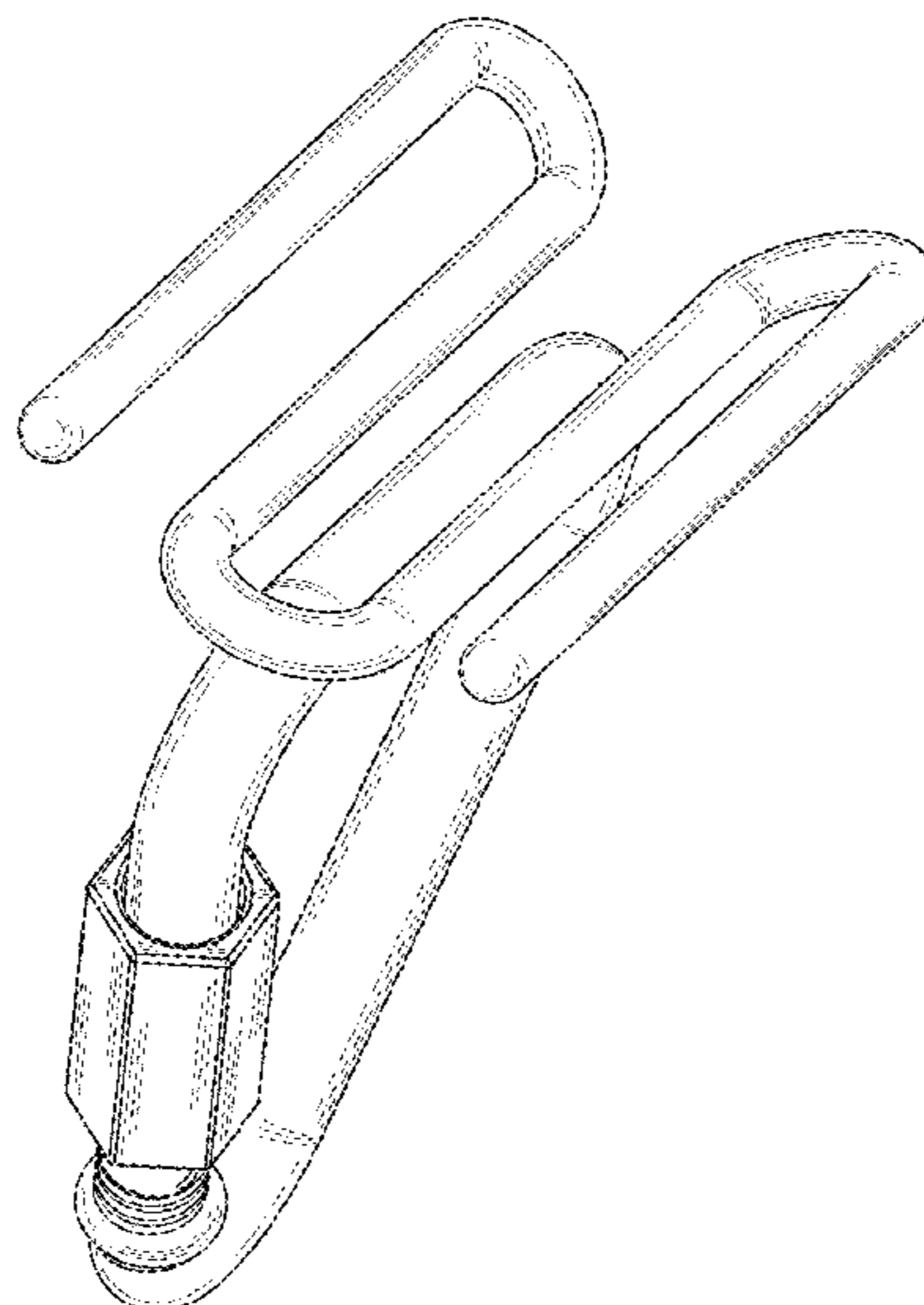
FIG. 1 is a top view of a snap assembly showing my new design;  
FIG. 2 is a bottom view thereof;  
FIG. 3 is a front view thereof;  
FIG. 4 is a rear view thereof;  
FIG. 5 is a left side elevational view thereof;  
FIG. 6 is a right side elevational view thereof;  
FIG. 7 is a perspective view thereof; and,  
FIG. 8 is a top, front, left side perspective view of the snap assembly, showing my new design; the broken line showing of a flat belt is for illustrative purposes only, and forms no part of the claimed design.

(56) **References Cited**

**U.S. PATENT DOCUMENTS**

D32,986 S \* 7/1900 Rousseaux ..... D8/372  
D34,533 S \* 5/1901 Brockelbank ..... D8/349  
938,025 A \* 10/1909 Smoot ..... D06F 55/00  
D19/83  
D394,998 S \* 6/1998 McIntyre ..... D8/370  
D405,350 S \* 2/1999 Yamada ..... D8/373  
D438,022 S \* 2/2001 Bunn ..... D6/317  
D488,996 S \* 4/2004 DeBiasio, Jr. .... D8/370

**1 Claim, 7 Drawing Sheets**



(56)

**References Cited**

U.S. PATENT DOCUMENTS

D806,240 S	*	12/2017	Smith	.....	D24/128
D818,391 S	*	5/2018	Chang	.....	D8/356
D920,159 S	*	5/2021	Power, II	.....	D11/218
D968,596 S	*	11/2022	Smith	.....	D24/128
D968,597 S	*	11/2022	Smith	.....	D24/128
D969,750 S	*	11/2022	Wedding	.....	D8/367
D971,781 S	*	12/2022	Mouquet	.....	D11/231
2007/0050956 A1	*	3/2007	Hu	.....	F16B 45/02 24/598.2

\* cited by examiner

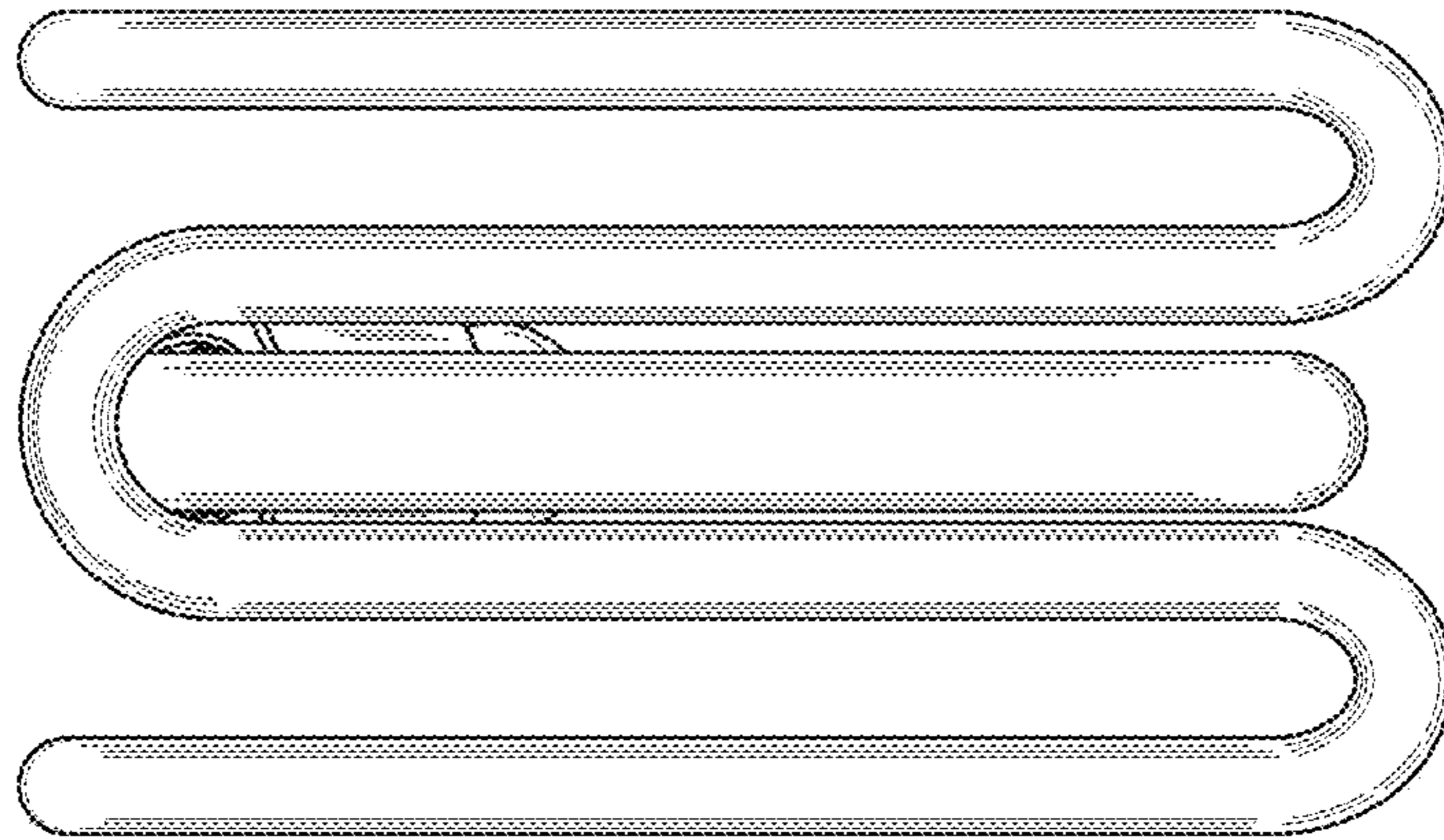


FIG. 1

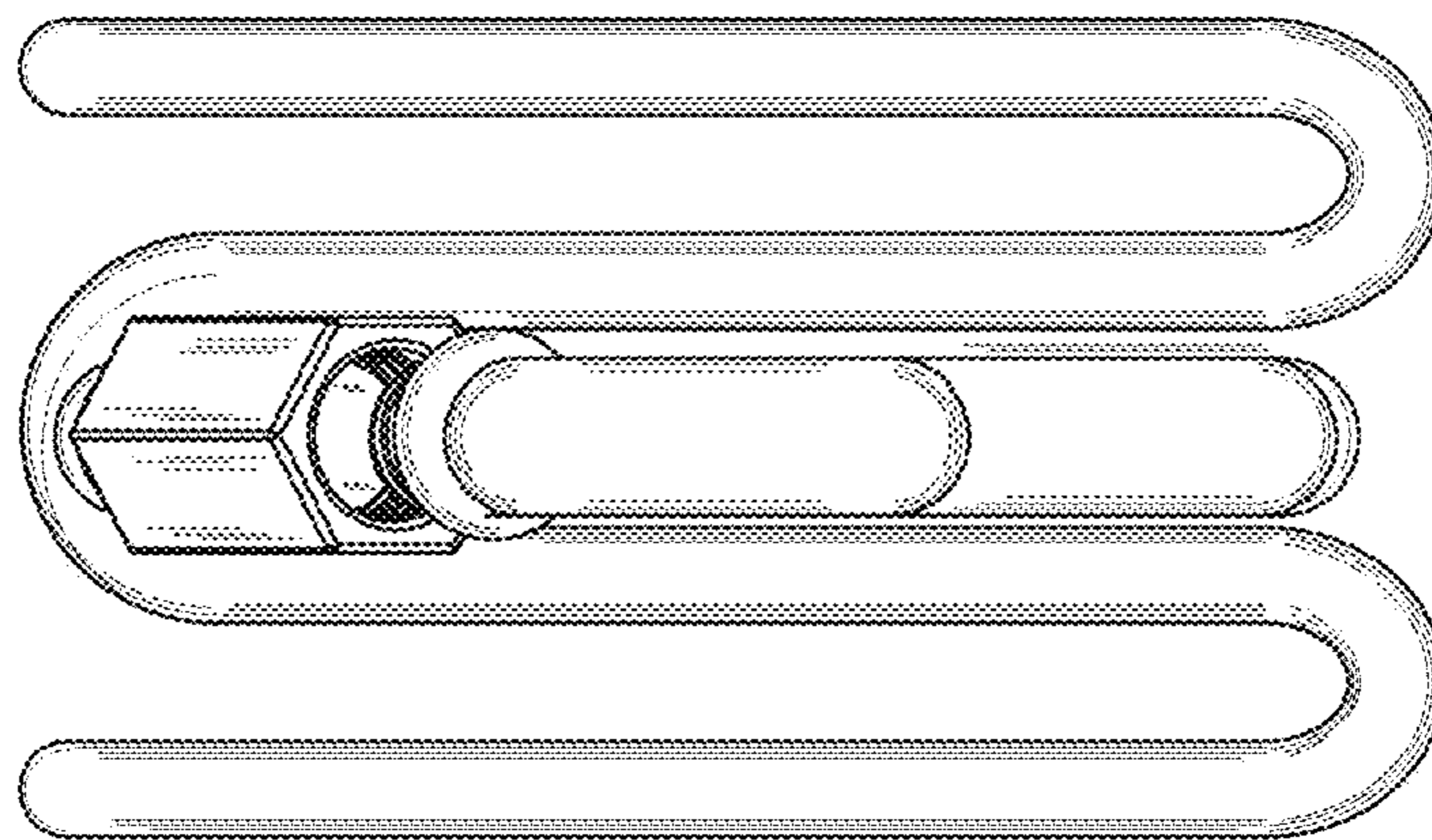


FIG. 2

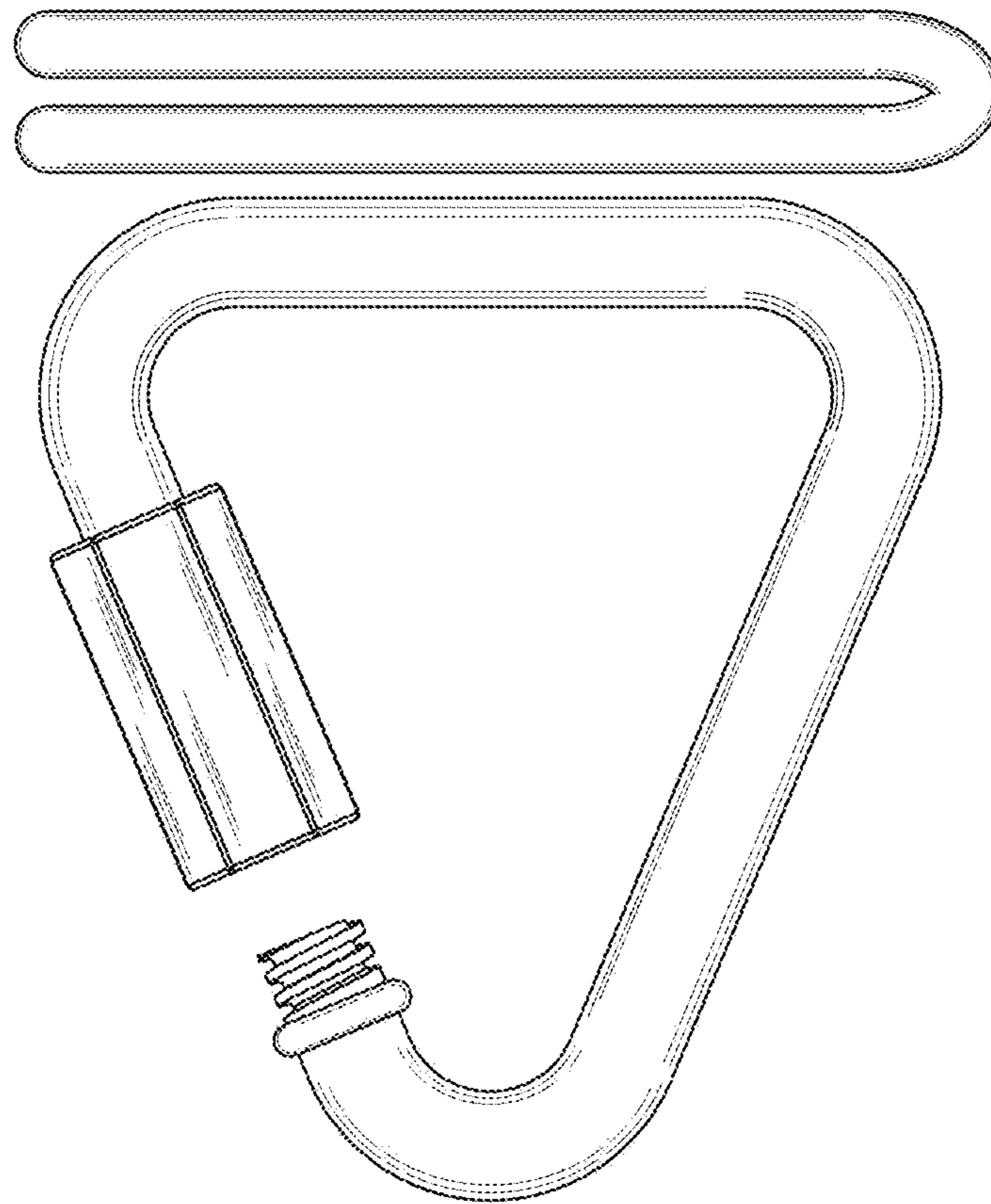


FIG. 3

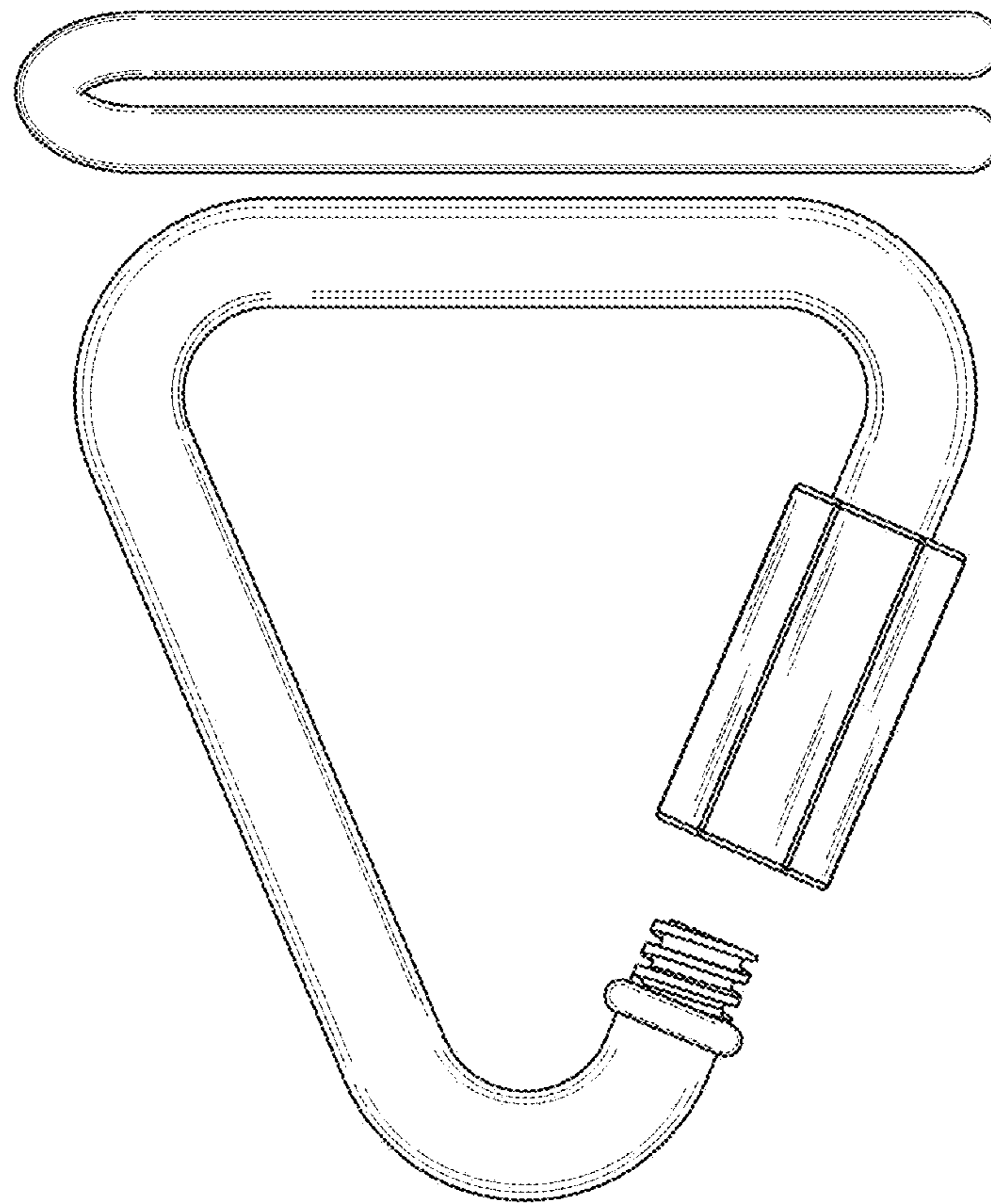


FIG. 4



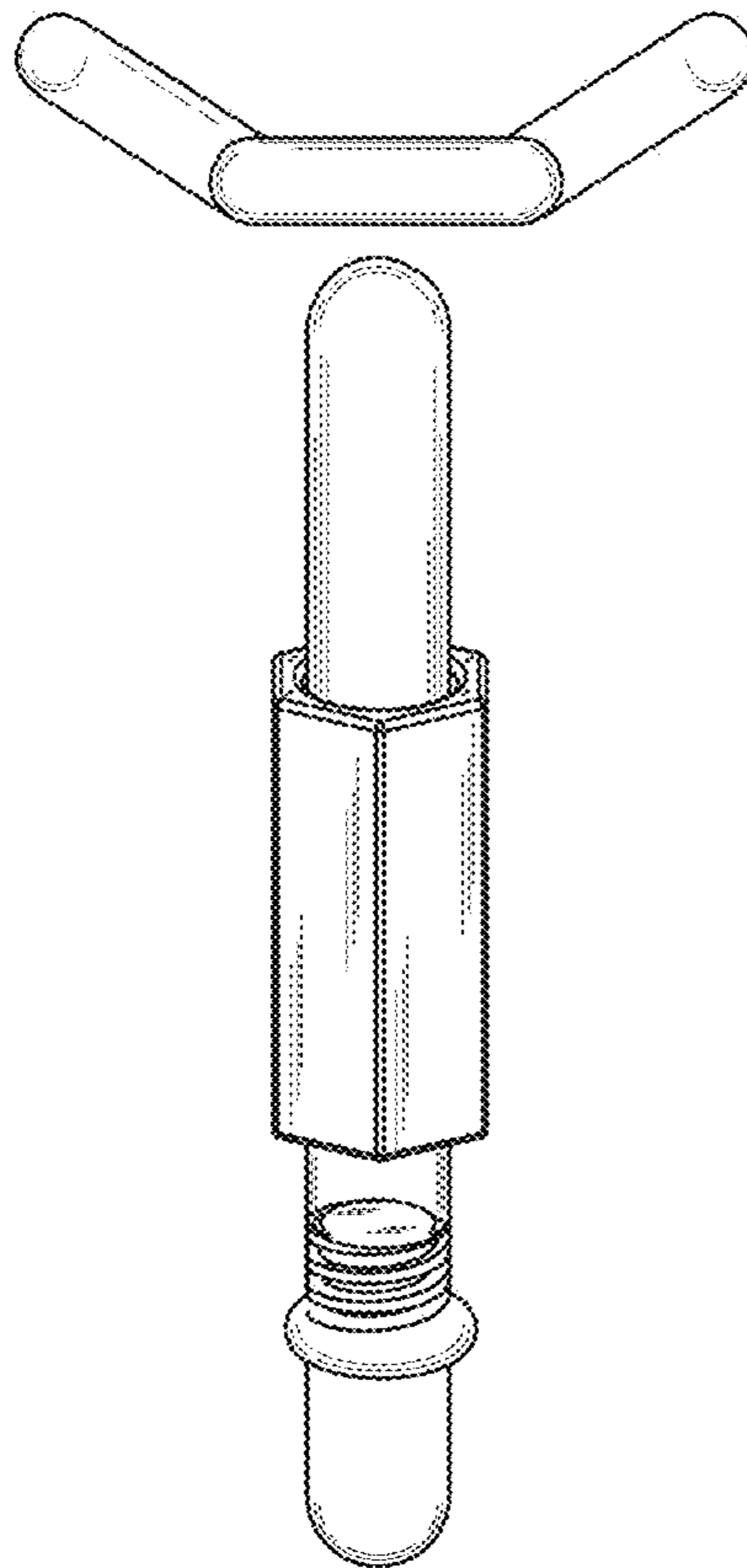


FIG. 5

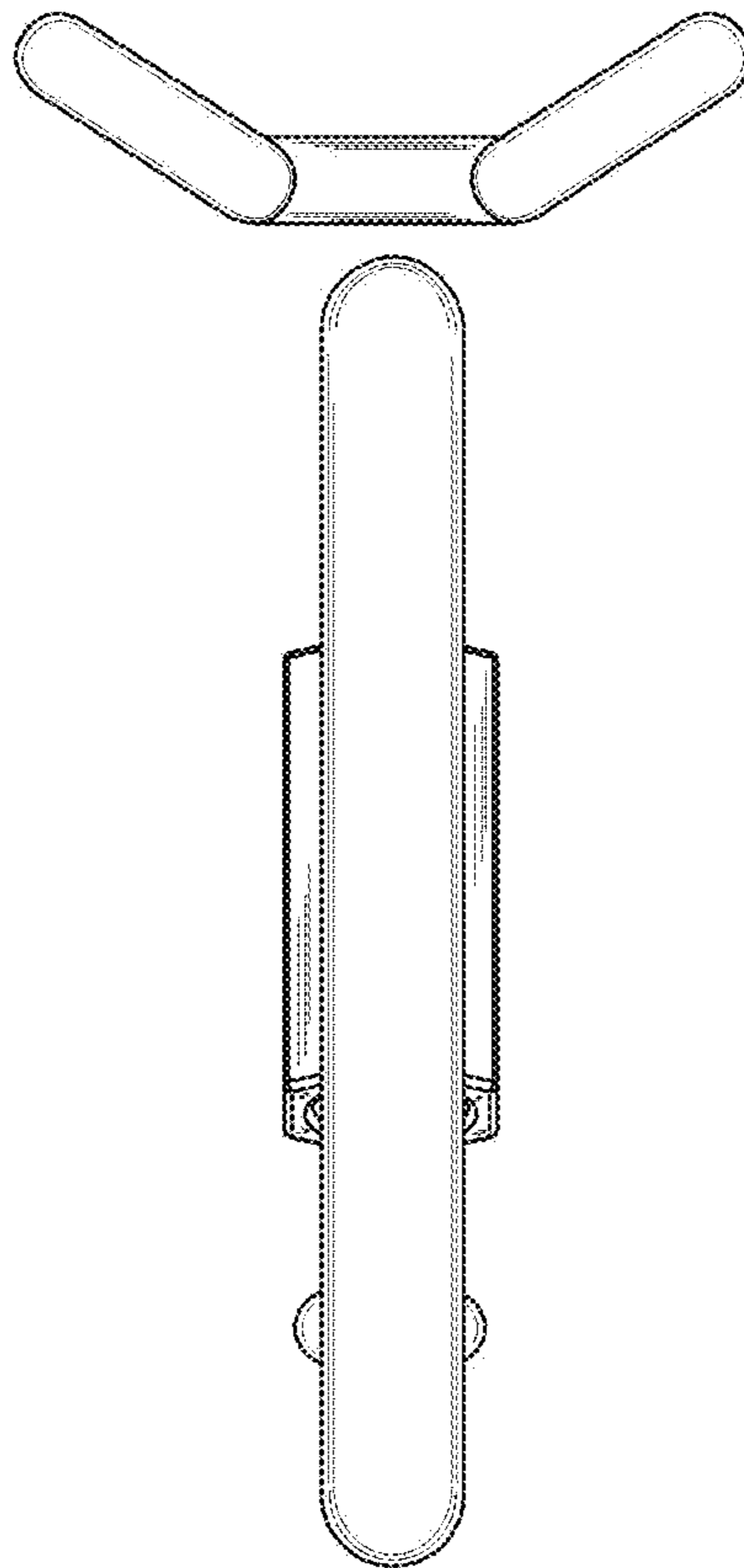


FIG. 6

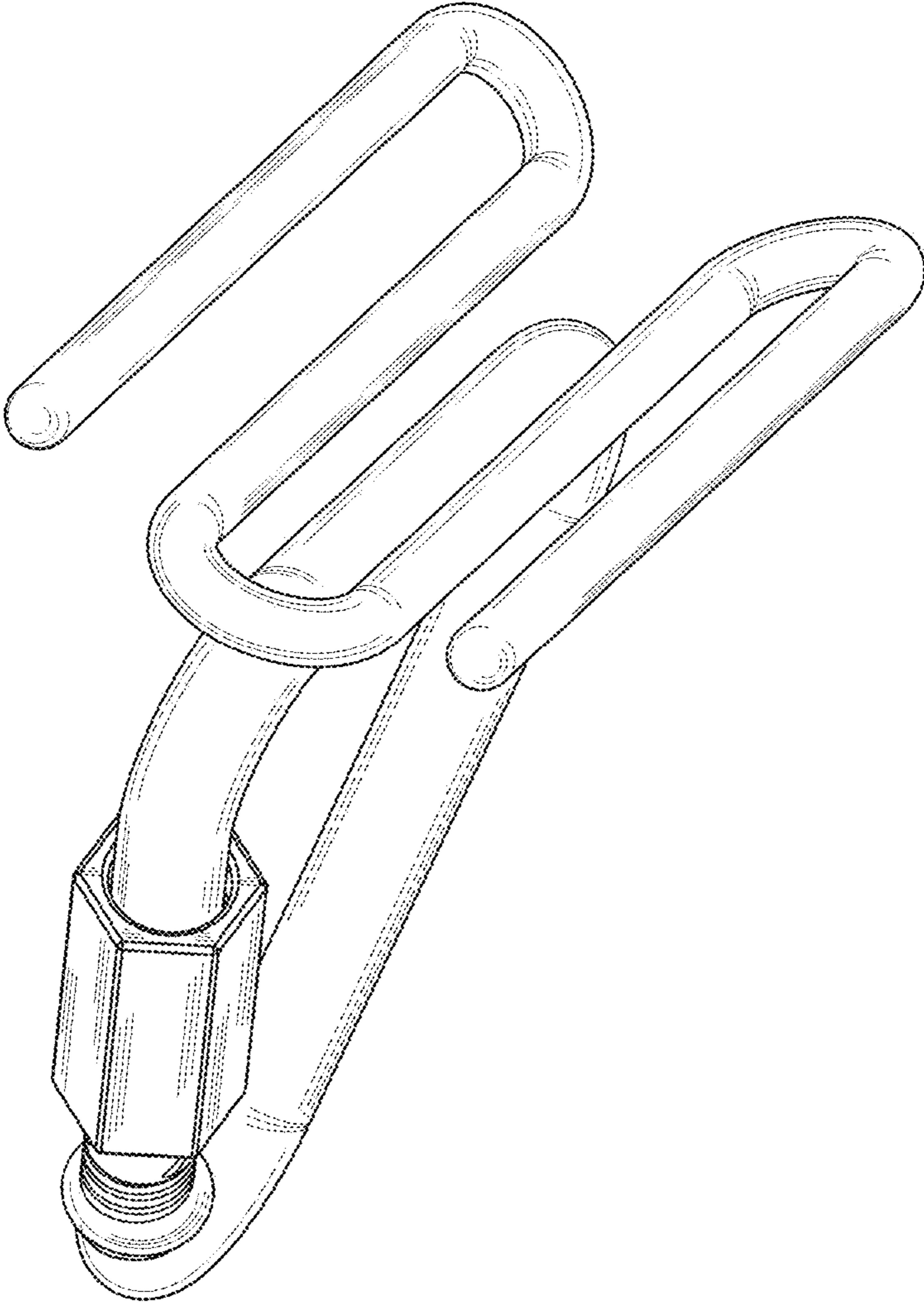


FIG. 7



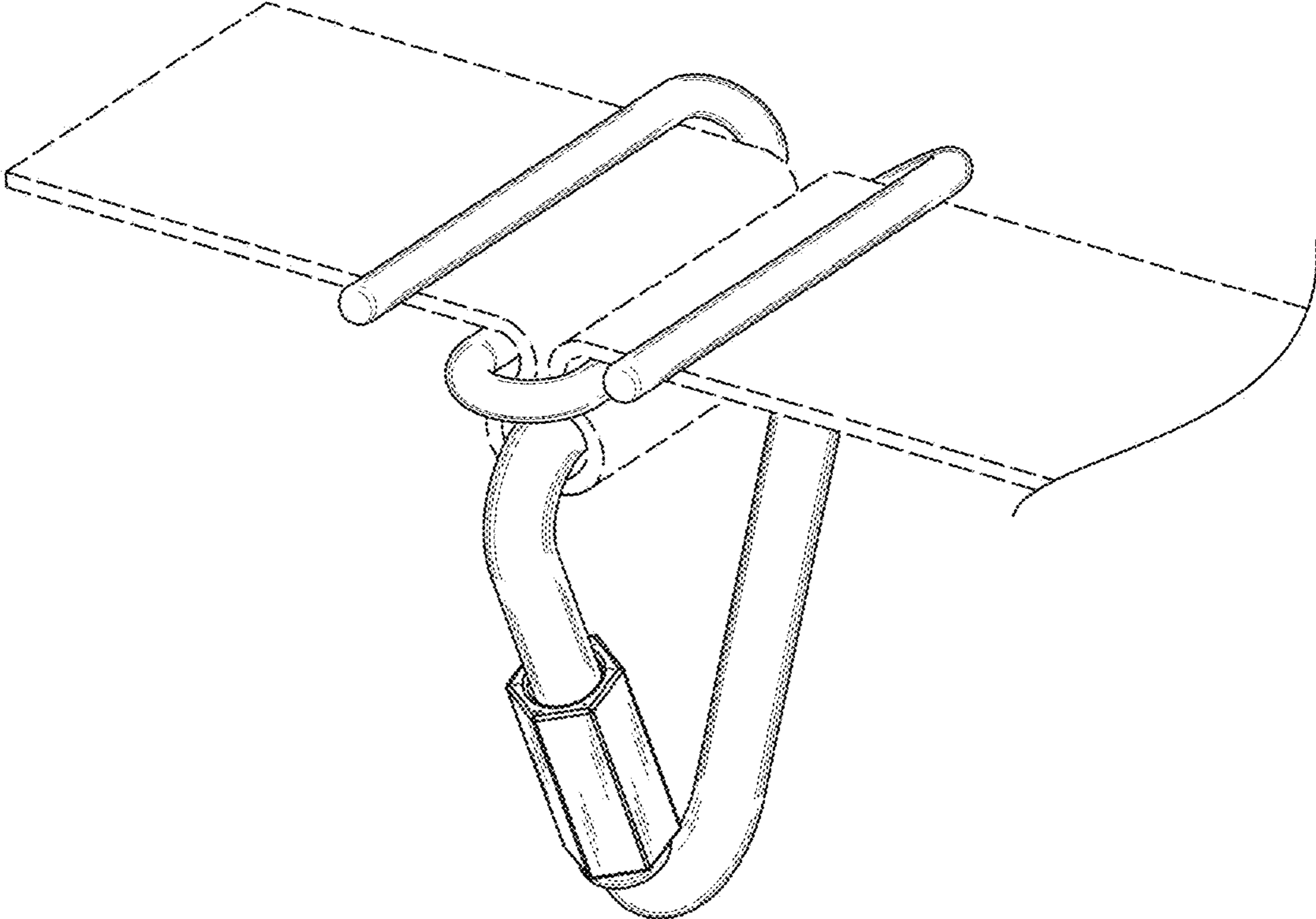


FIG. 8