



US00D981208S

(12) **United States Design Patent**  
**Shi**

(10) **Patent No.:** **US D981,208 S**  
(45) **Date of Patent:** **\*\* Mar. 21, 2023**

(54) **ELECTRONIC KEYPAD DEADBOLT**

D637,472 S 5/2011 Singtoroj et al.  
D769,102 S \* 10/2016 Euchner ..... D8/331  
2017/0098335 A1\* 4/2017 Payack, Jr. .... G07C 9/20

(71) Applicant: **Lishui Tengxun Network Technology Co., Ltd.**, Zhejiang (CN)

\* cited by examiner

(72) Inventor: **Chunlan Shi**, Jiangsu (CN)

*Primary Examiner* — Doris Clark

(\*\*) Term: **15 Years**

(74) *Attorney, Agent, or Firm* — Che-Yang Chen; Law Office of Michael Chen

(21) Appl. No.: **29/856,457**

(22) Filed: **Oct. 13, 2022**

(57) **CLAIM**

(51) **LOC (14) Cl.** ..... **08-07**

The ornamental design for an electronic keypad deadbolt, as shown and described.

(52) **U.S. Cl.**

USPC ..... **D8/331**

(58) **Field of Classification Search**

USPC ..... D8/331

CPC ..... E05B 9/002; E05B 37/0031; E05B 2009/004; E05B 2009/006; G05B 9/02; G05B 19/04; G05B 19/02; G05B 19/41835; G07C 9/00309; G07C 9/0069; G07C 2009/00452; Y10T 70/7068; Y10T 70/7141; Y10T 70/7237; Y10T 70/8568

See application file for complete search history.

**DESCRIPTION**

FIG. 1 is a perspective view of an electronic keypad deadbolt showing my new design; FIG. 2 is a perspective view thereof from another angle; FIG. 3 is a front elevational view thereof; FIG. 4 is a rear elevational view thereof; FIG. 5 is a left side elevational view thereof; FIG. 6 is a right side elevational view thereof; FIG. 7 is a top plan view thereof; and, FIG. 8 is a bottom plan view thereof.

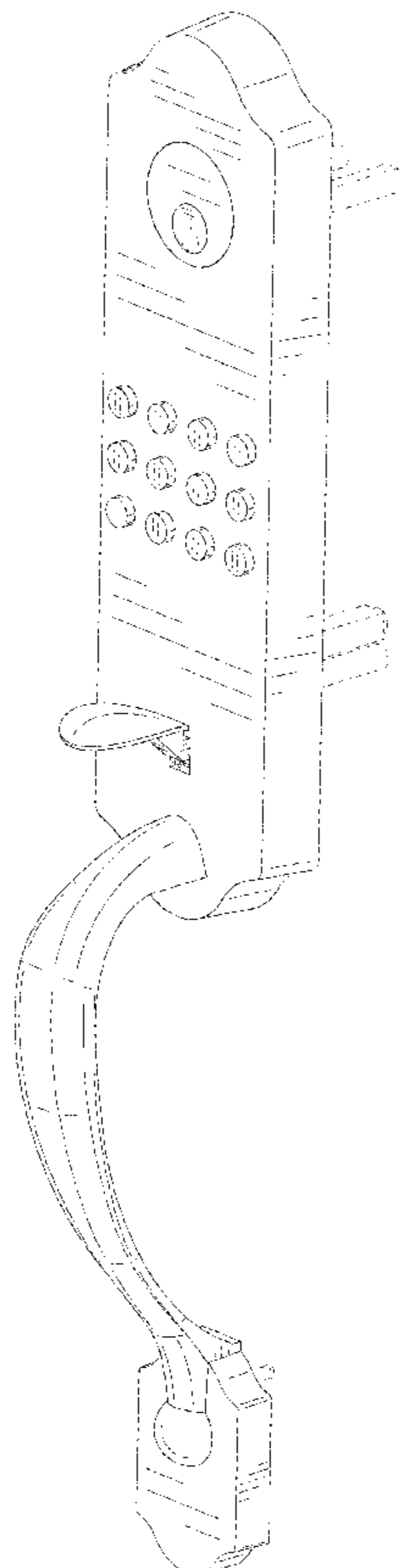
The broken lines shown in the drawings represent portions of the electronic keypad deadbolt that form no part of the claimed design.

(56) **References Cited**

**U.S. PATENT DOCUMENTS**

5,841,347 A \* 11/1998 Kim ..... G07C 9/0069  
70/462  
6,516,641 B1 \* 2/2003 Segawa ..... E05B 13/103  
70/284

**1 Claim, 8 Drawing Sheets**



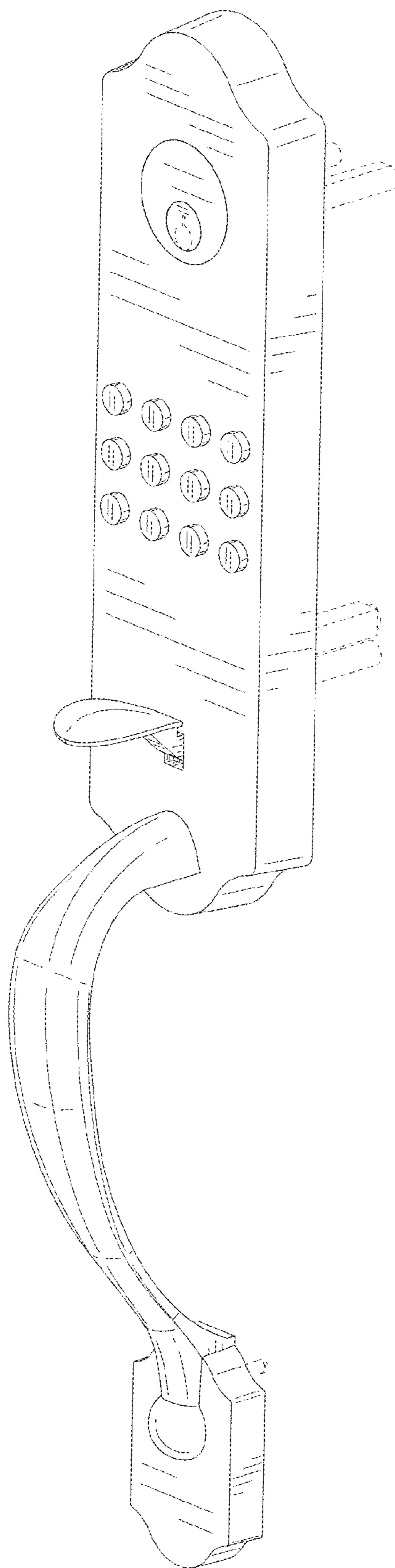


FIG. 1

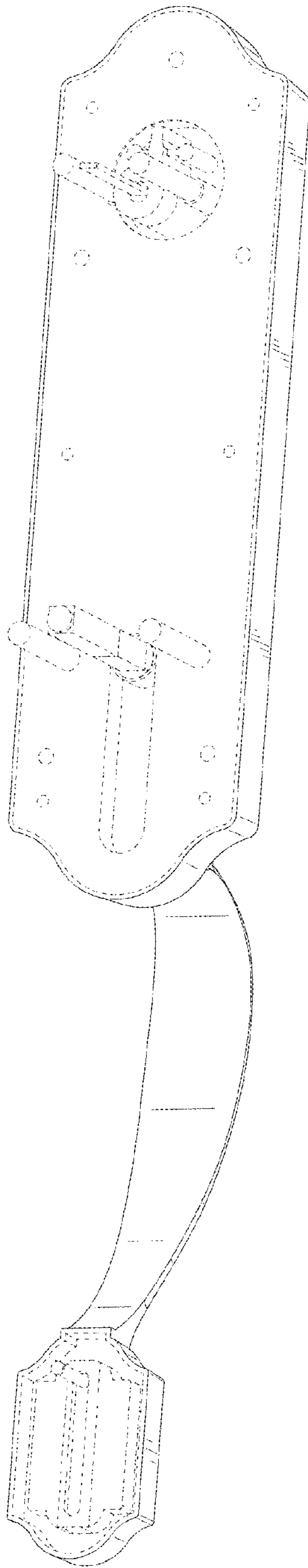


FIG. 2

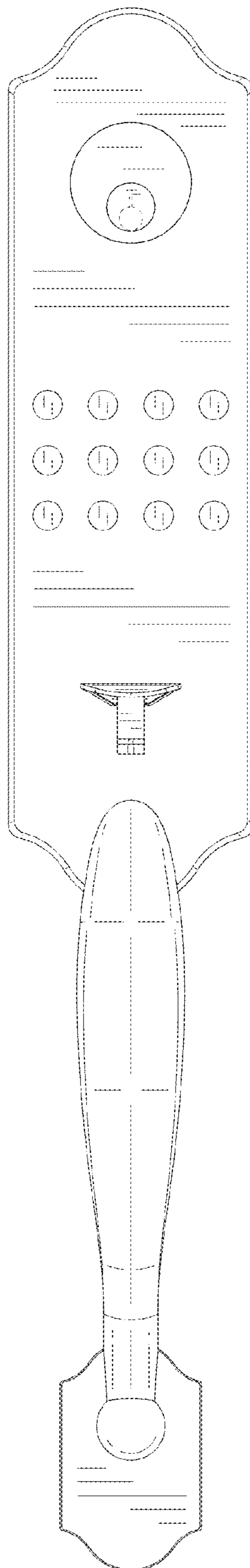


FIG. 3

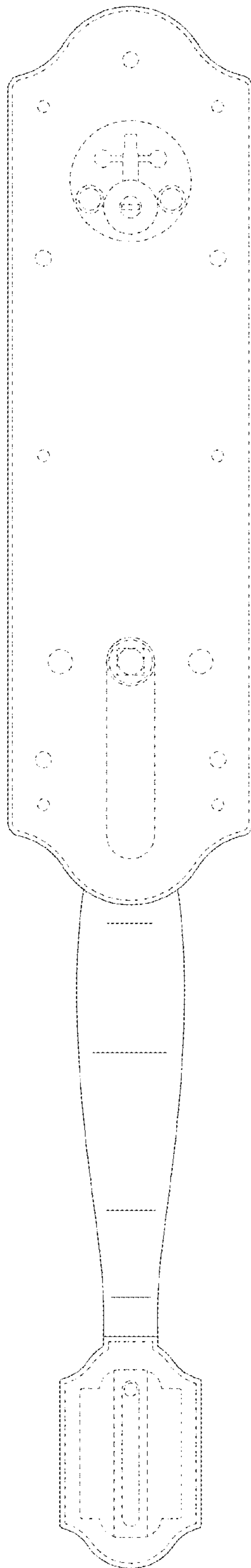


FIG. 4

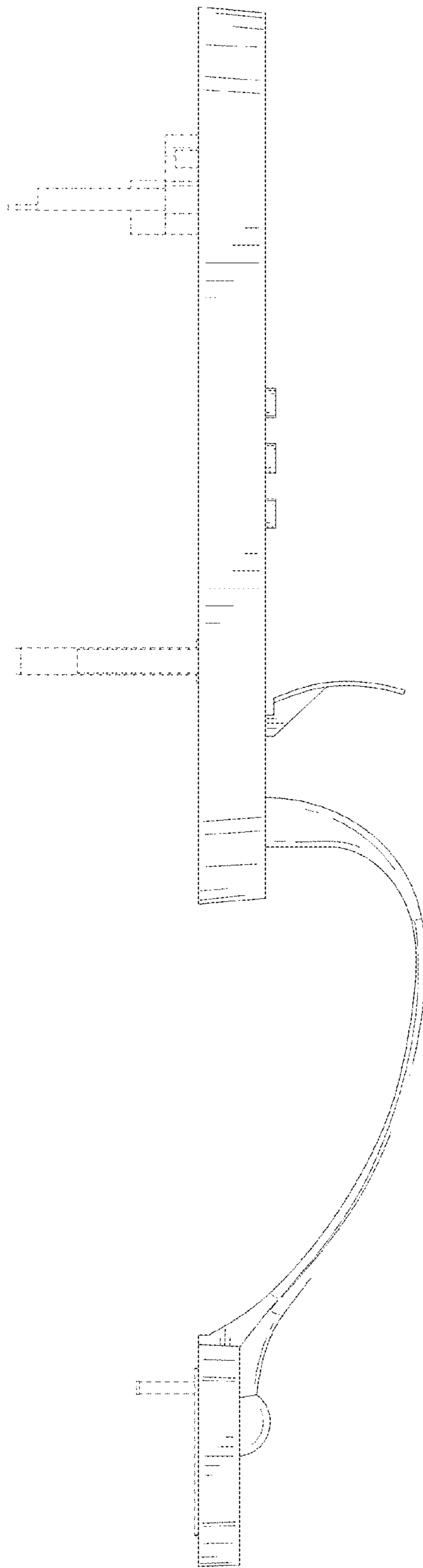


FIG. 5

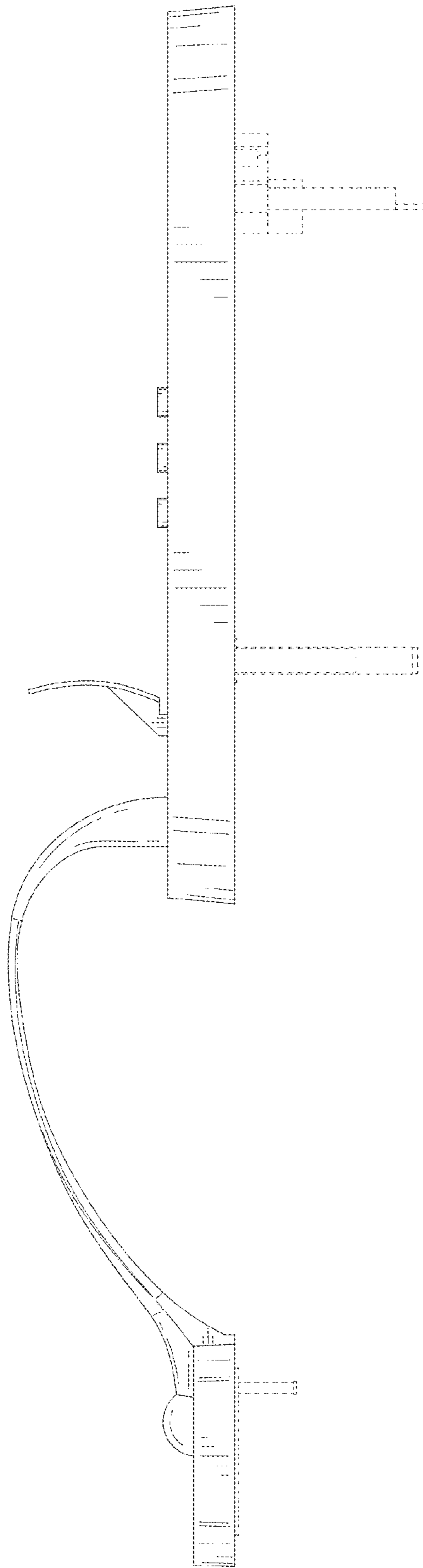


FIG. 6

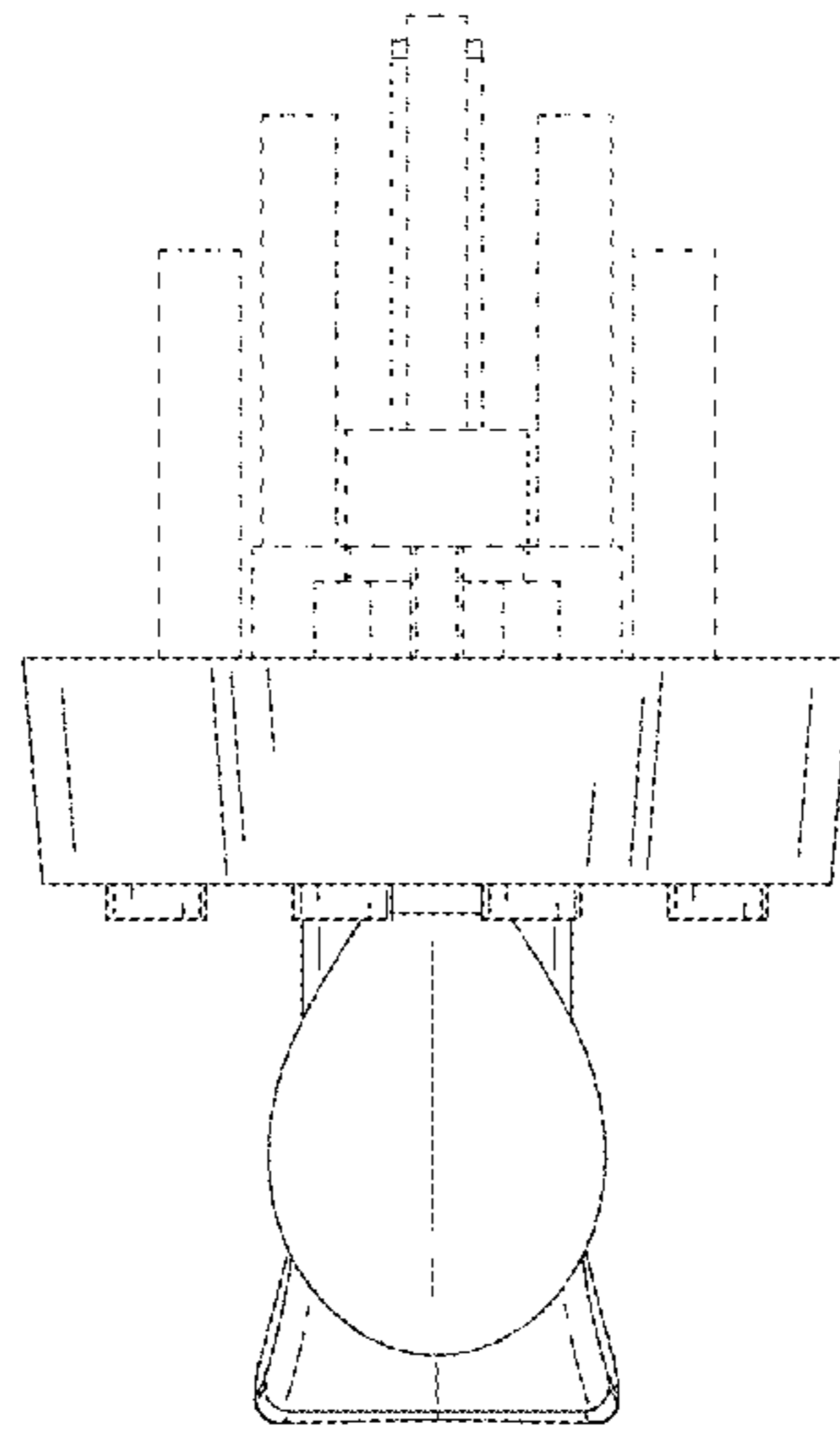


FIG. 7



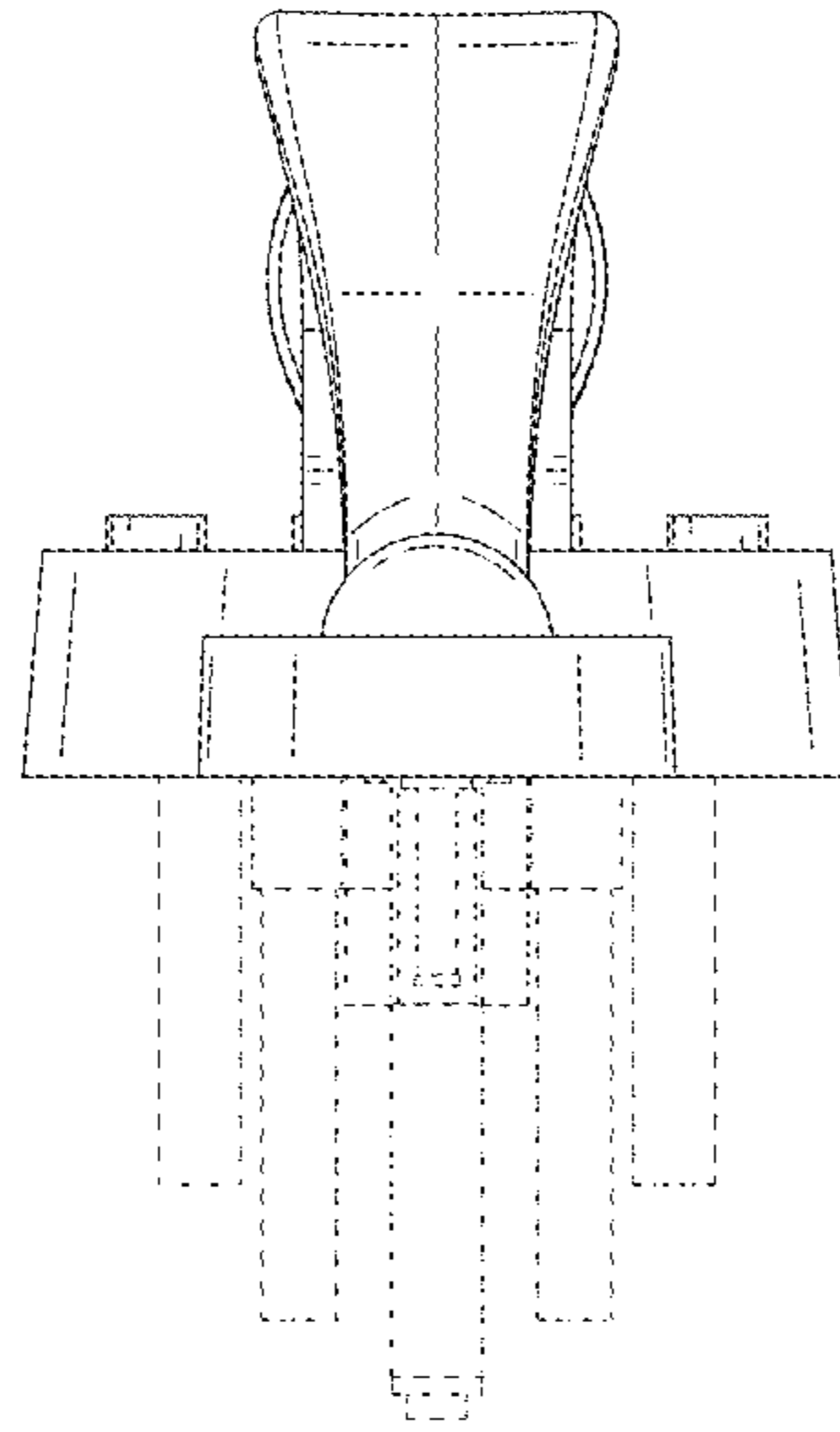


FIG. 8