



US00D981203S

(12) **United States Design Patent**
Hendifar

(10) **Patent No.:** **US D981,203 S**
(45) **Date of Patent:** **** Mar. 21, 2023**

(54) **FLUTED KNOB**

(71) Applicant: **Apparatus LLC**, New York, NY (US)

(72) Inventor: **Gabriel Hendifar**, New York, NY (US)

(73) Assignee: **Apparatus LLC**, New York, NY (US)

(**) Term: **15 Years**

(21) Appl. No.: **29/813,941**

(22) Filed: **Nov. 2, 2021**

(51) **LOC (14) Cl.** **08-06**

(52) **U.S. Cl.**
USPC **D8/312**

(58) **Field of Classification Search**
USPC D8/300, 301, 302, 303, 307, 310-312,
D8/378; D23/250; D7/393, 396

(Continued)

(56) **References Cited**

U.S. PATENT DOCUMENTS

D15,754 S * 1/1885 Russell, Jr. D8/312
D196,671 S * 10/1963 Malcom D8/321

(Continued)

Primary Examiner — Lauren R Calve

(74) *Attorney, Agent, or Firm* — Gottlieb, Rackman & Reisman

(57) **CLAIM**

I claim the ornamental design for a fluted knob, as shown and described.

DESCRIPTION

FIG. 1 is a front perspective view of a first embodiment showing my new design;

FIG. 2 is a front elevational view of FIG. 1;

FIG. 3 is a rear elevational view of FIG. 1;

FIG. 4 is a left side elevational view of FIG. 1;

FIG. 5 is a right side elevational view of FIG. 1;

FIG. 6 is a top plan view of FIG. 1;

FIG. 7 is a bottom plan view of FIG. 1; and

FIG. 8 is a cross-sectional view taken along line 8-8 of FIG. 2.

FIG. 9 is a front perspective view of a second embodiment showing my new design;

FIG. 10 is a front elevational view of FIG. 9;

FIG. 11 is a rear elevational view of FIG. 9;

FIG. 12 is a left side elevational view of FIG. 9;

FIG. 13 is a right side elevational view of FIG. 9;

FIG. 14 is a top plan view of FIG. 9;

FIG. 15 is a bottom plan view of FIG. 9; and

FIG. 16 is a cross-sectional view taken along line 16-16 of FIG. 10.

FIG. 17 is a front perspective view of a third embodiment showing my new design;

FIG. 18 is a front elevational view of FIG. 17;

FIG. 19 is a rear elevational view of FIG. 17;

FIG. 20 is a left side elevational view of FIG. 17;

FIG. 21 is a right side elevational view of FIG. 17;

FIG. 22 is a top plan view of FIG. 17;

FIG. 23 is a bottom plan view of FIG. 17; and

FIG. 24 is a cross-sectional view taken along line 24-24 of FIG. 18.

FIG. 25 is a front perspective view of a fourth embodiment showing my new design;

FIG. 26 is a front elevational view of FIG. 25;

FIG. 27 is a rear elevational view of FIG. 25;

FIG. 28 is a left side elevational view of FIG. 25;

FIG. 29 is a right side elevational view of FIG. 25;

FIG. 30 is a top plan view of FIG. 25;

FIG. 31 is a bottom plan view of FIG. 25; and

FIG. 32 is a cross-sectional view taken along line 32-32 of FIG. 26.

FIG. 33 is a front perspective view of a fifth embodiment showing my new design;

FIG. 34 is a front elevational view of FIG. 33;

FIG. 35 is a rear elevational view of FIG. 33;

FIG. 36 is a left side elevational view of FIG. 33;

FIG. 37 is a right side elevational view of FIG. 33;

FIG. 38 is a top plan view of FIG. 33;

FIG. 39 is a bottom plan view of FIG. 33; and,

(Continued)

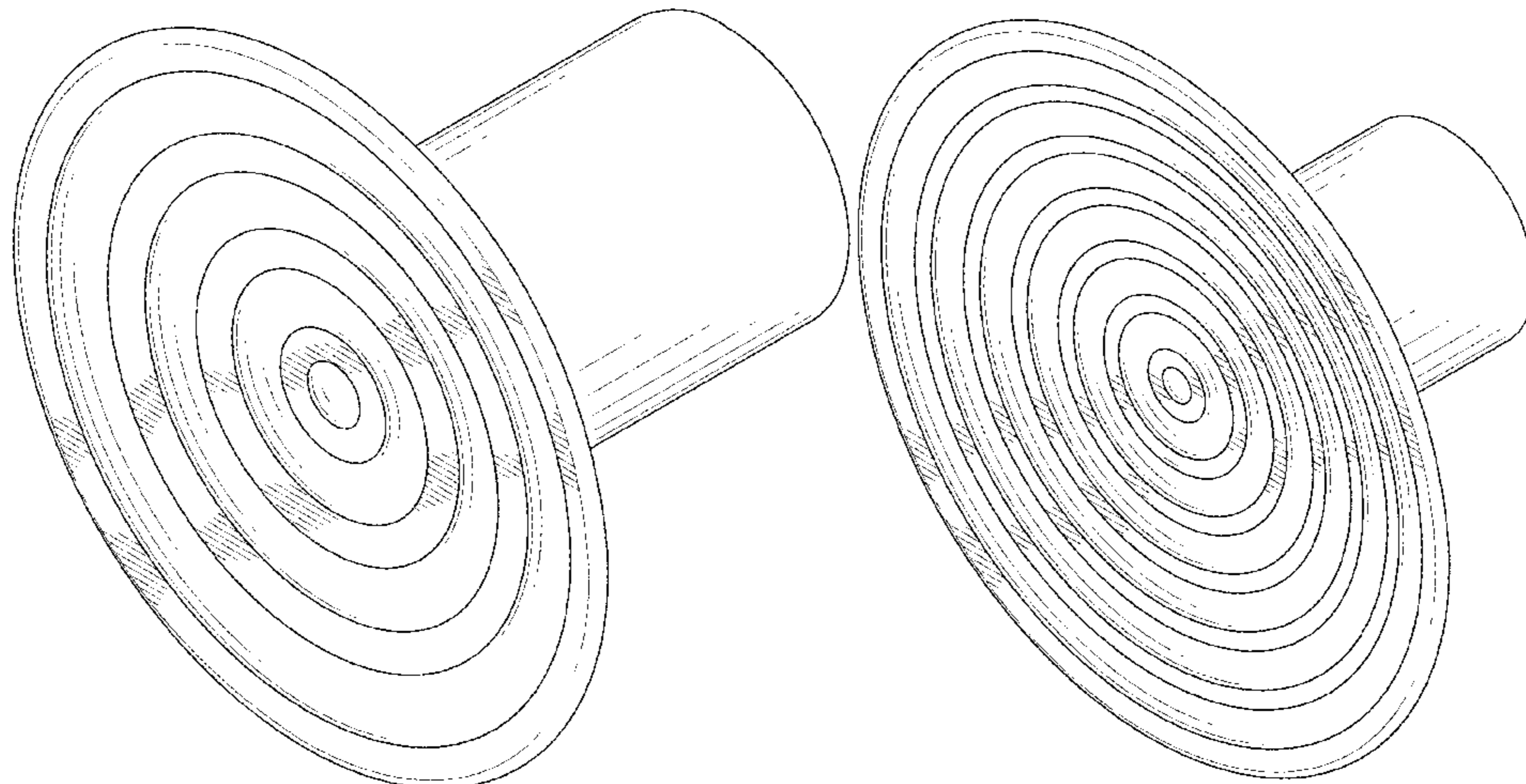


FIG. 40 is a cross-sectional view taken along line 40-40 of FIG. 34.

1 Claim, 40 Drawing Sheets

(58) Field of Classification Search

CPC Y10T 16/506; Y10T 292/82; Y10T 16/46;
Y10T 16/4636; Y10T 292/85; Y10T
428/12389; Y10T 403/635; E05B 1/0015;
E05B 1/0007

See application file for complete search history.

(56) References Cited

U.S. PATENT DOCUMENTS

D196,903	S	*	11/1963	Malcolm	D8/352
D203,029	S	*	11/1965	Tintary et al.	D8/310
D226,894	S	*	5/1973	Tegner	D8/310
D297,211	S	*	8/1988	Rhoades	D8/310
D326,219	S	*	5/1992	Clayton	D8/310
D551,937	S	*	10/2007	Krumpe	D8/310
D559,073	S	*	1/2008	Krumpe	D8/310
D563,758	S	*	3/2008	Oliver	D8/312
D587,555	S	*	3/2009	Krumpe	D8/305
10,477,968	B2	*	11/2019	Maier	B33Y 80/00
2007/0069090	A1	*	3/2007	Driscoll	E05B 1/0015 248/206.5
2010/0139046	A1	*	6/2010	Daniels	E05B 1/0015 16/417

* cited by examiner

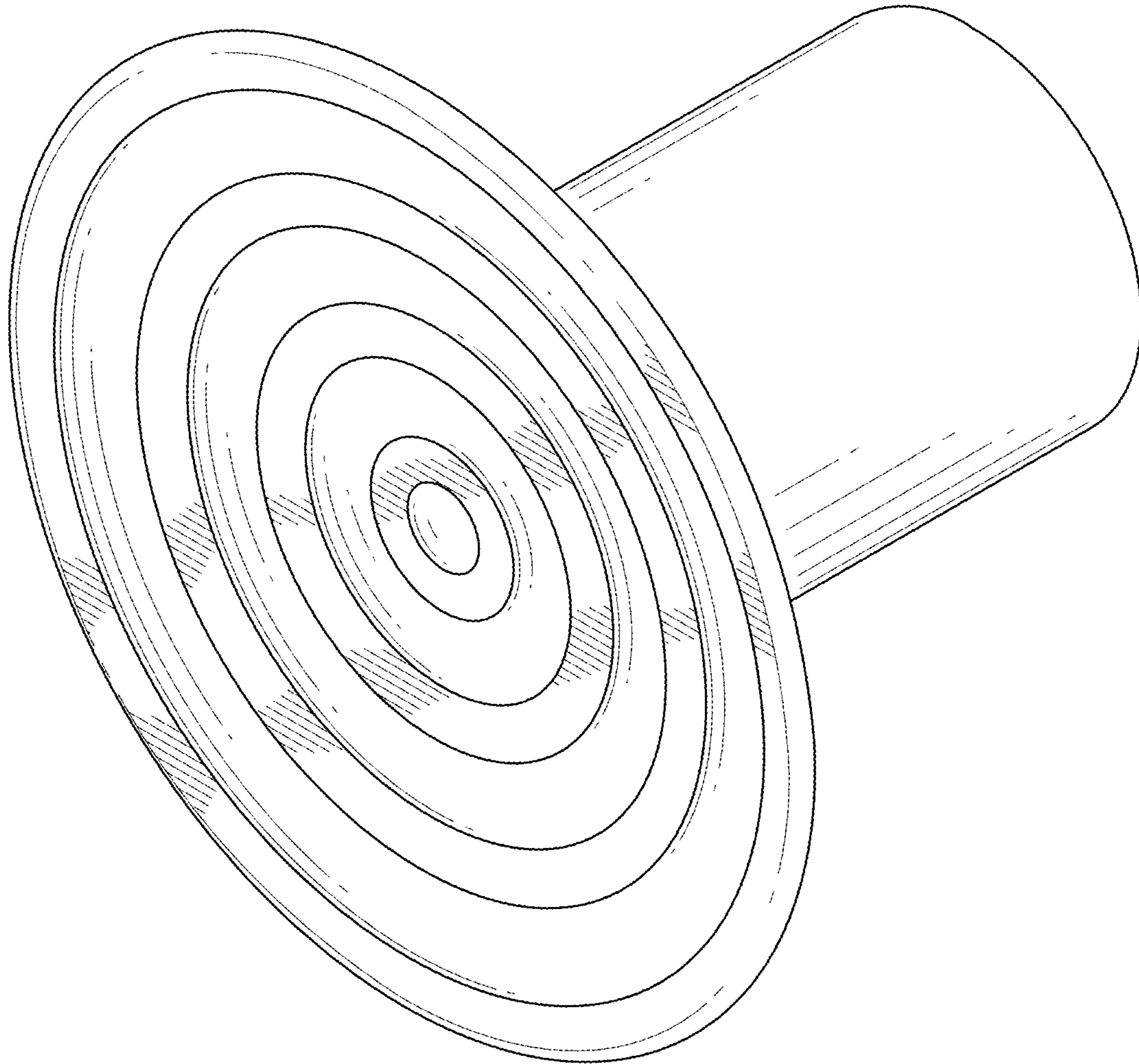


FIG. 1

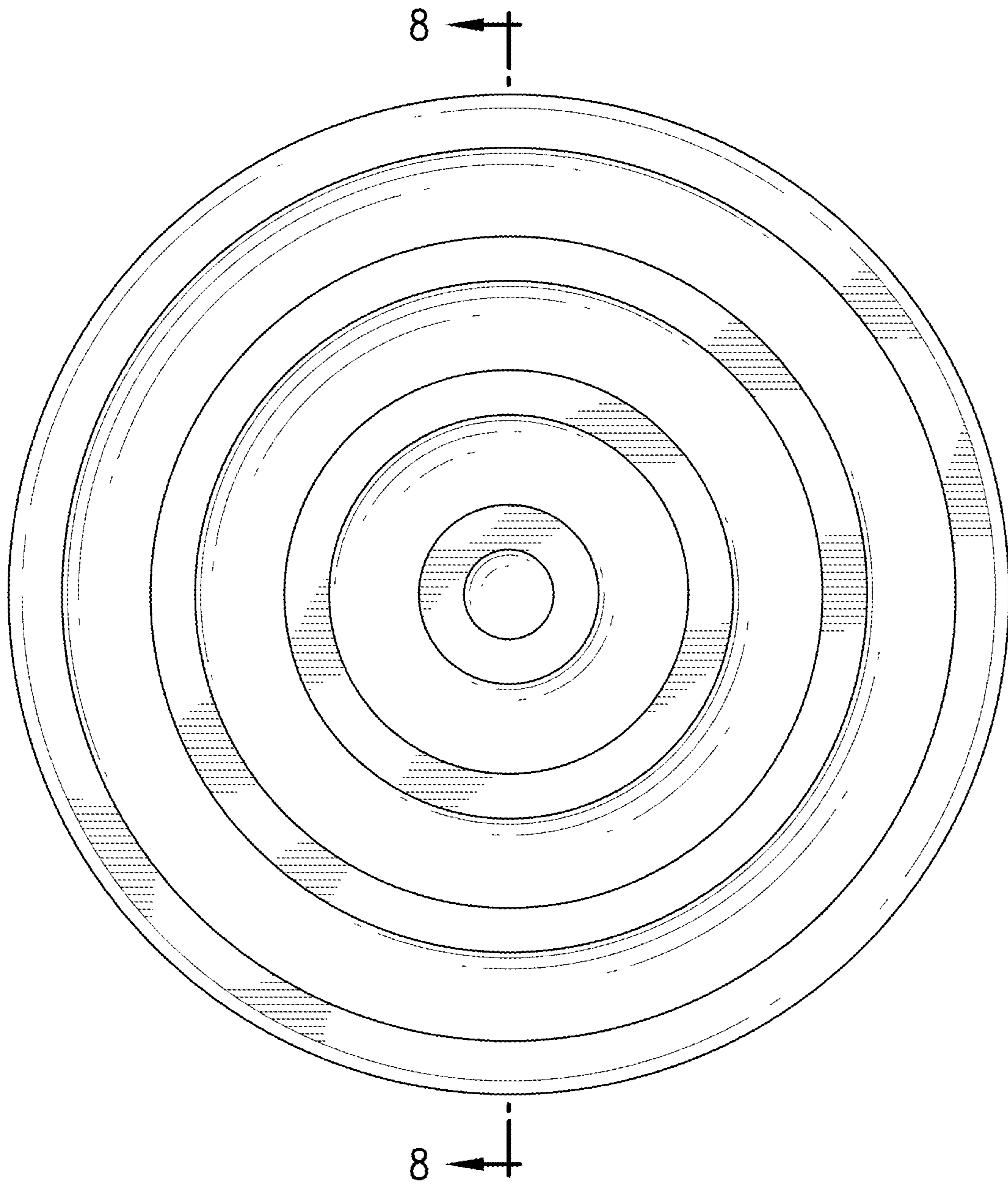


FIG. 2

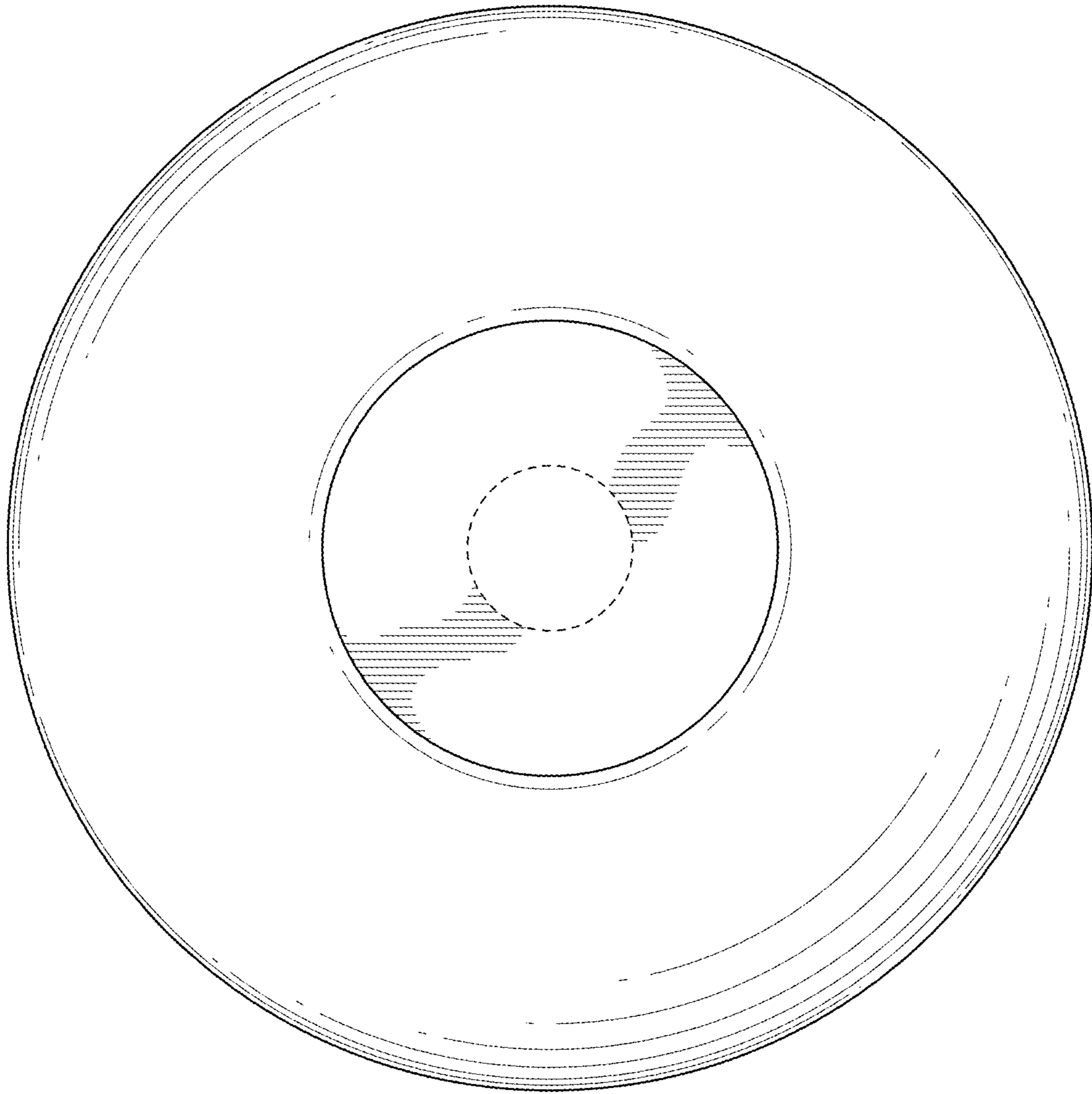


FIG. 3

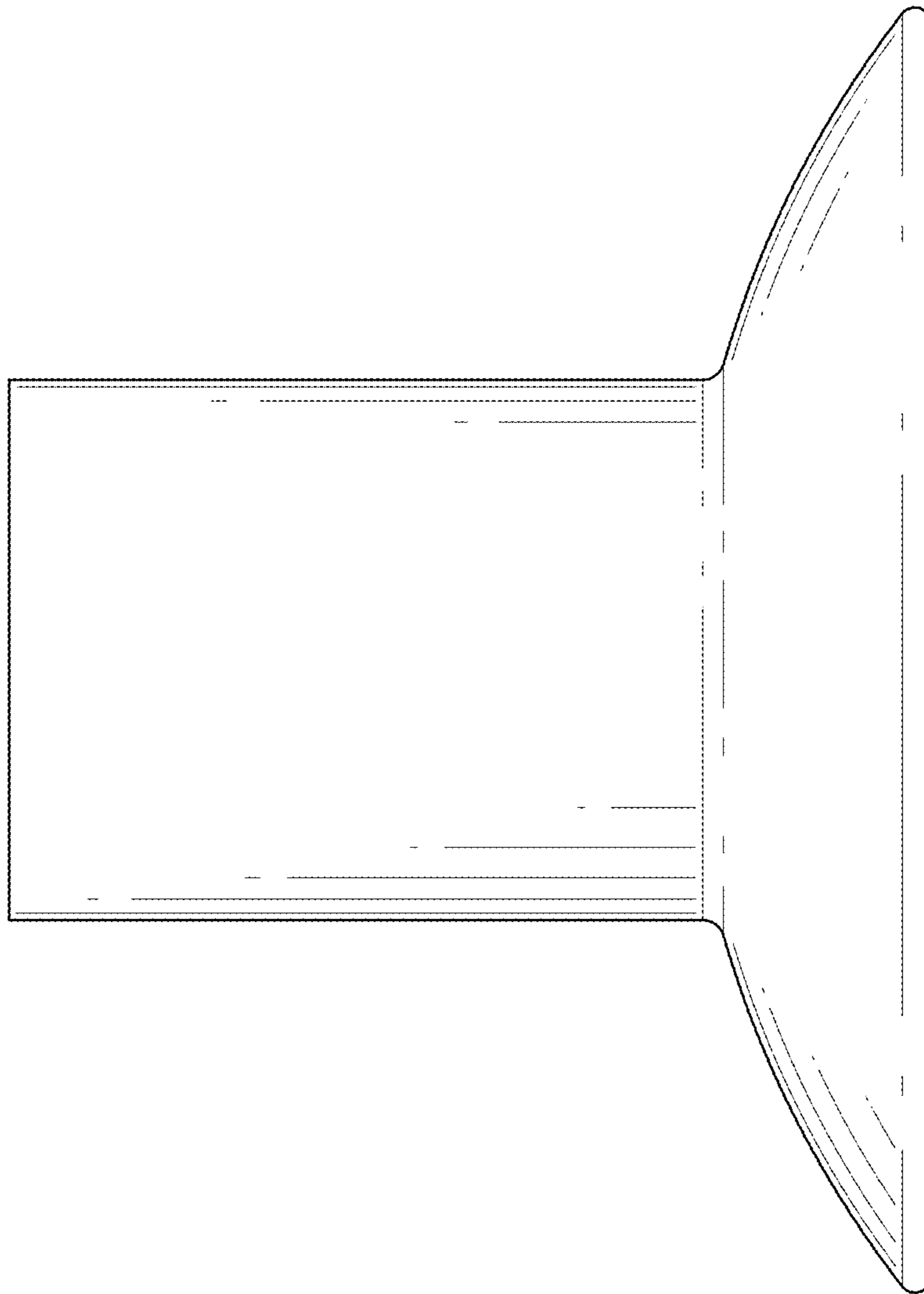


FIG.4

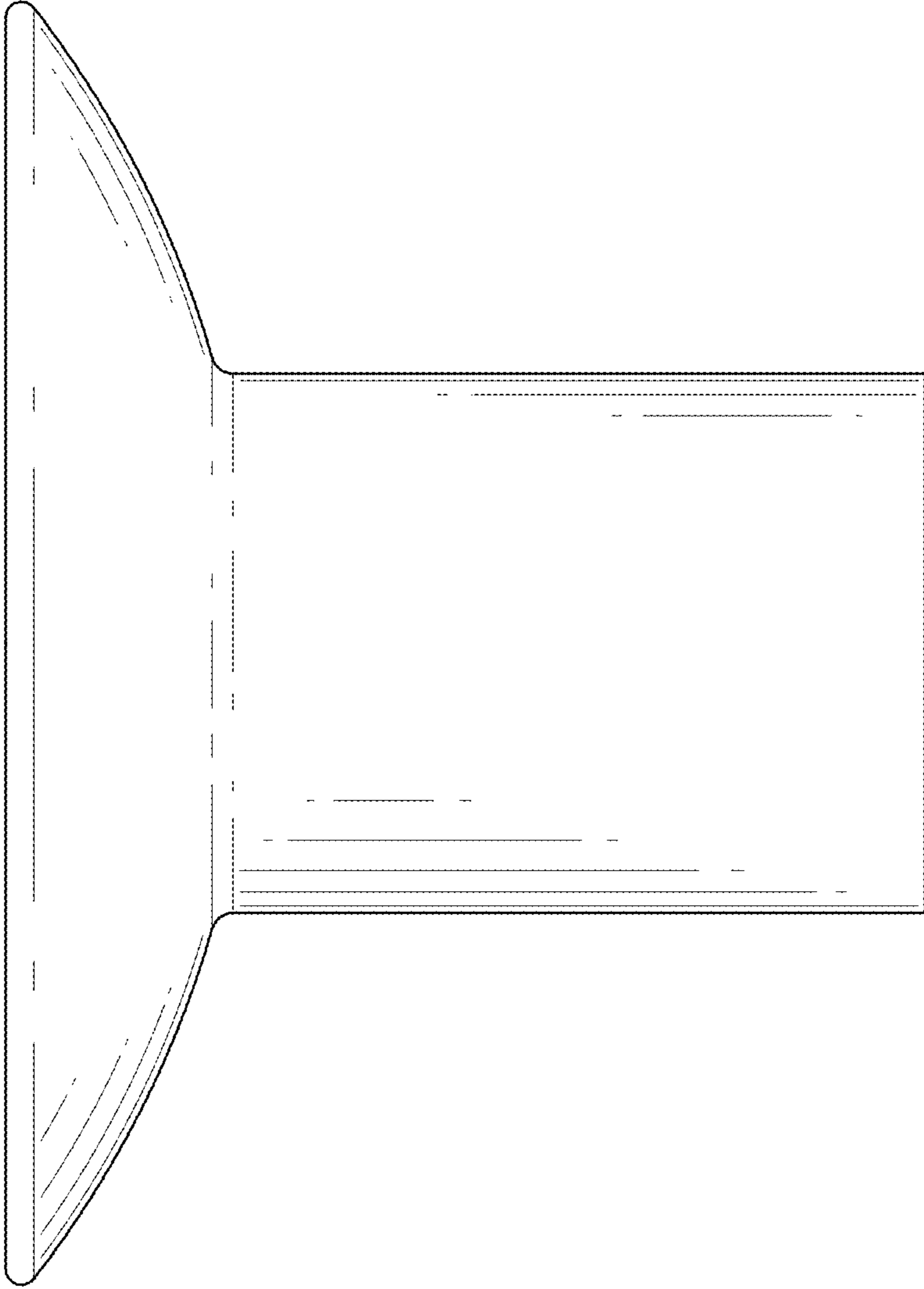


FIG. 5

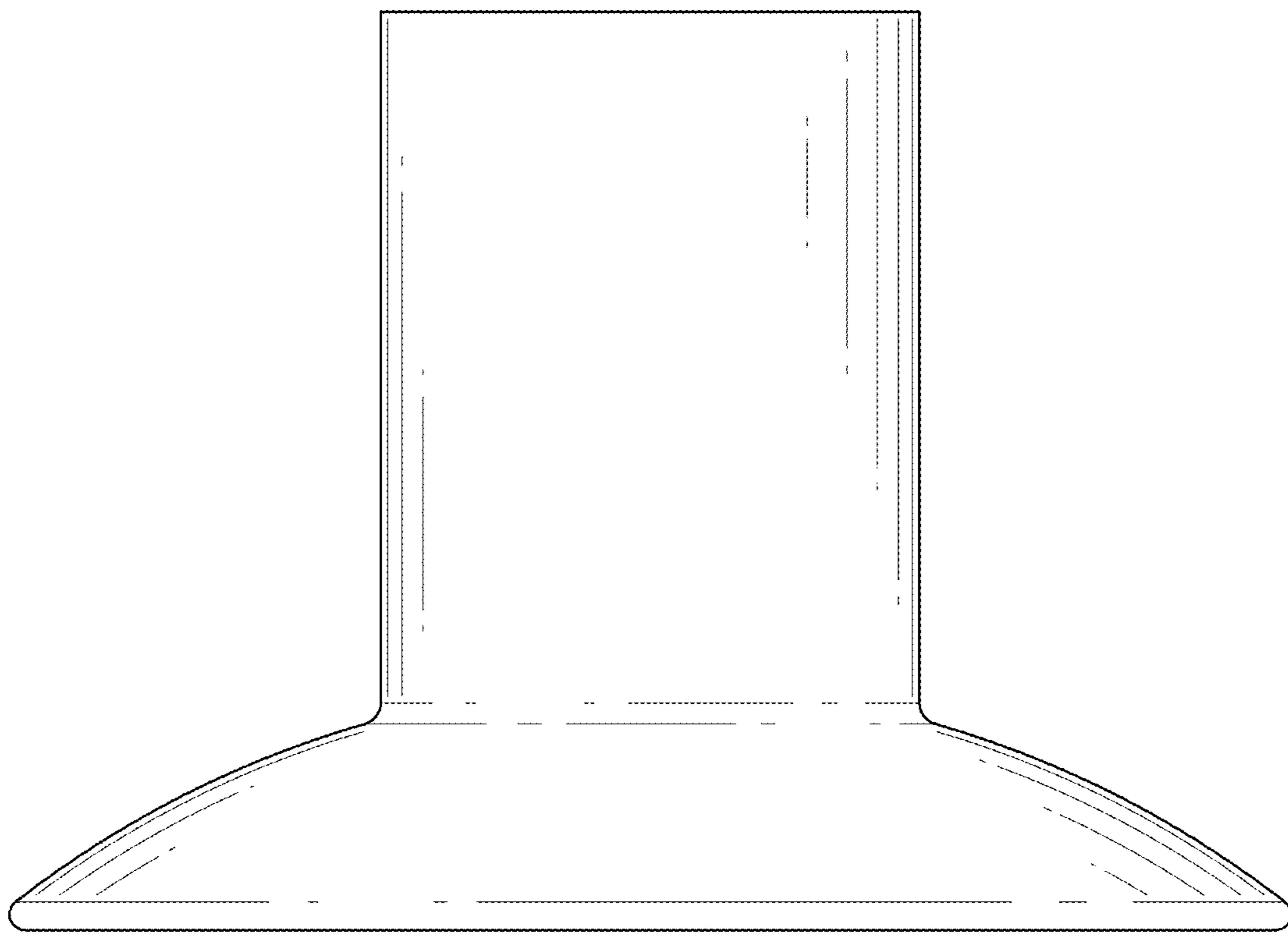


FIG.6

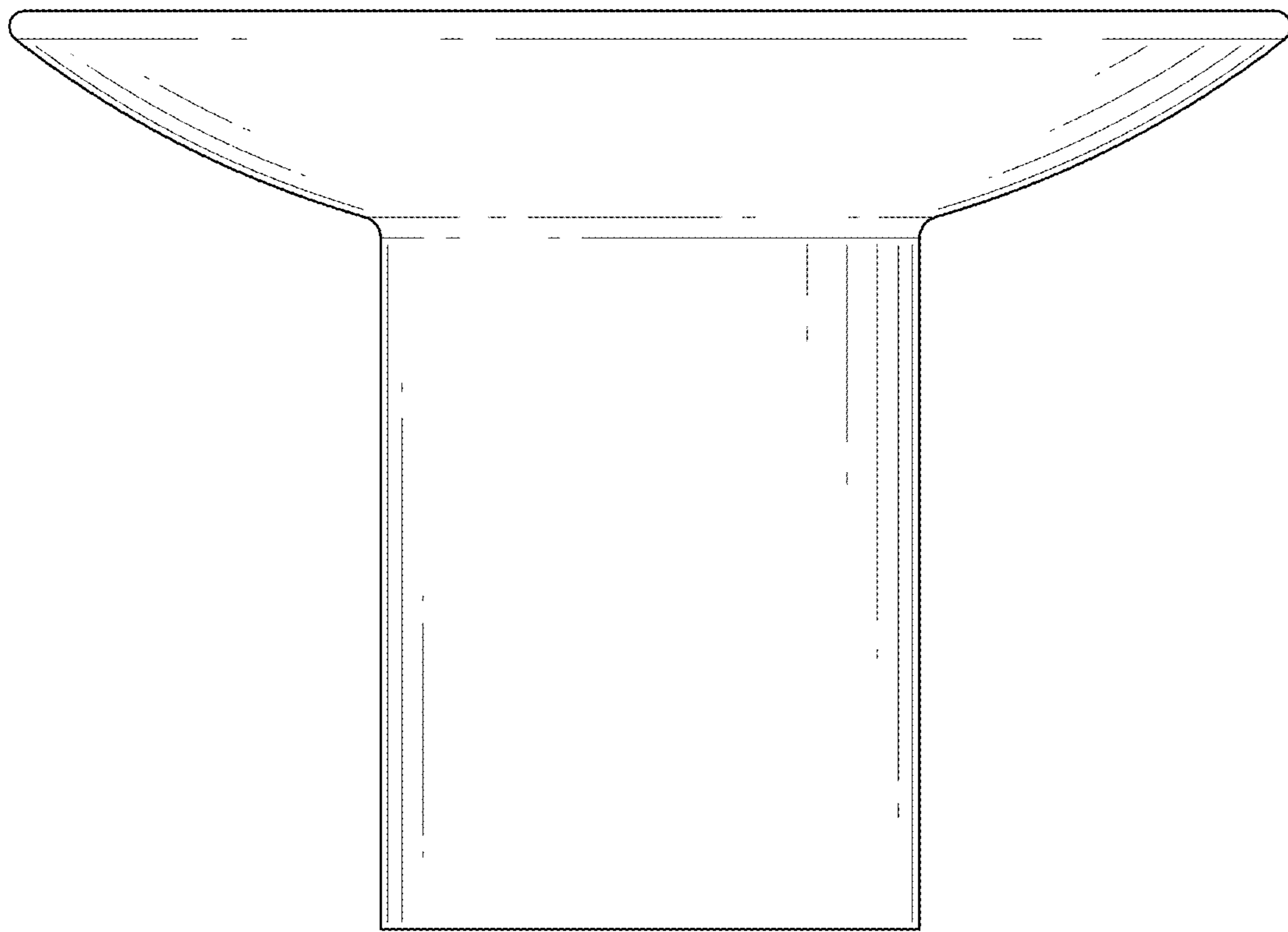


FIG. 7

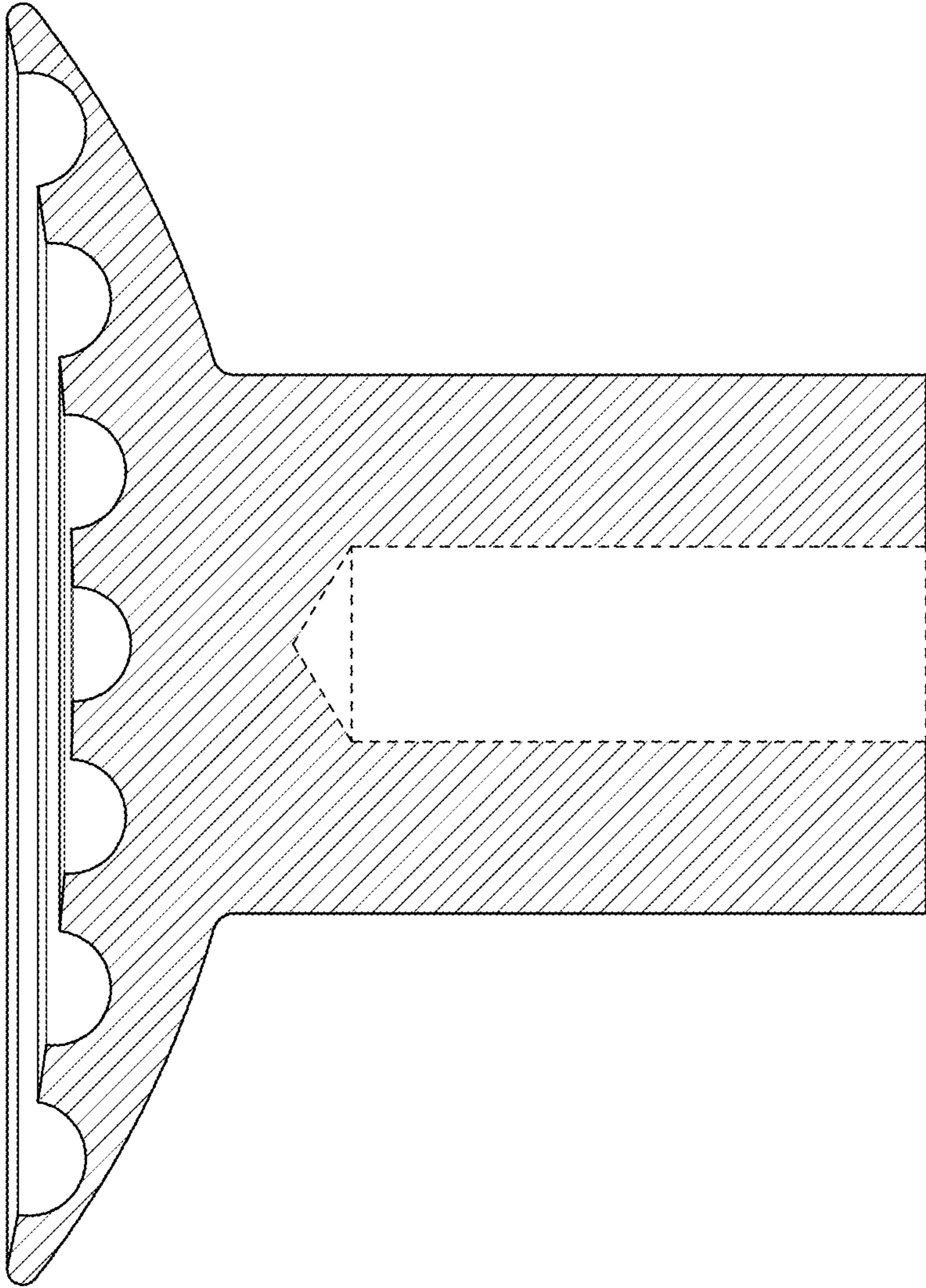


FIG. 8

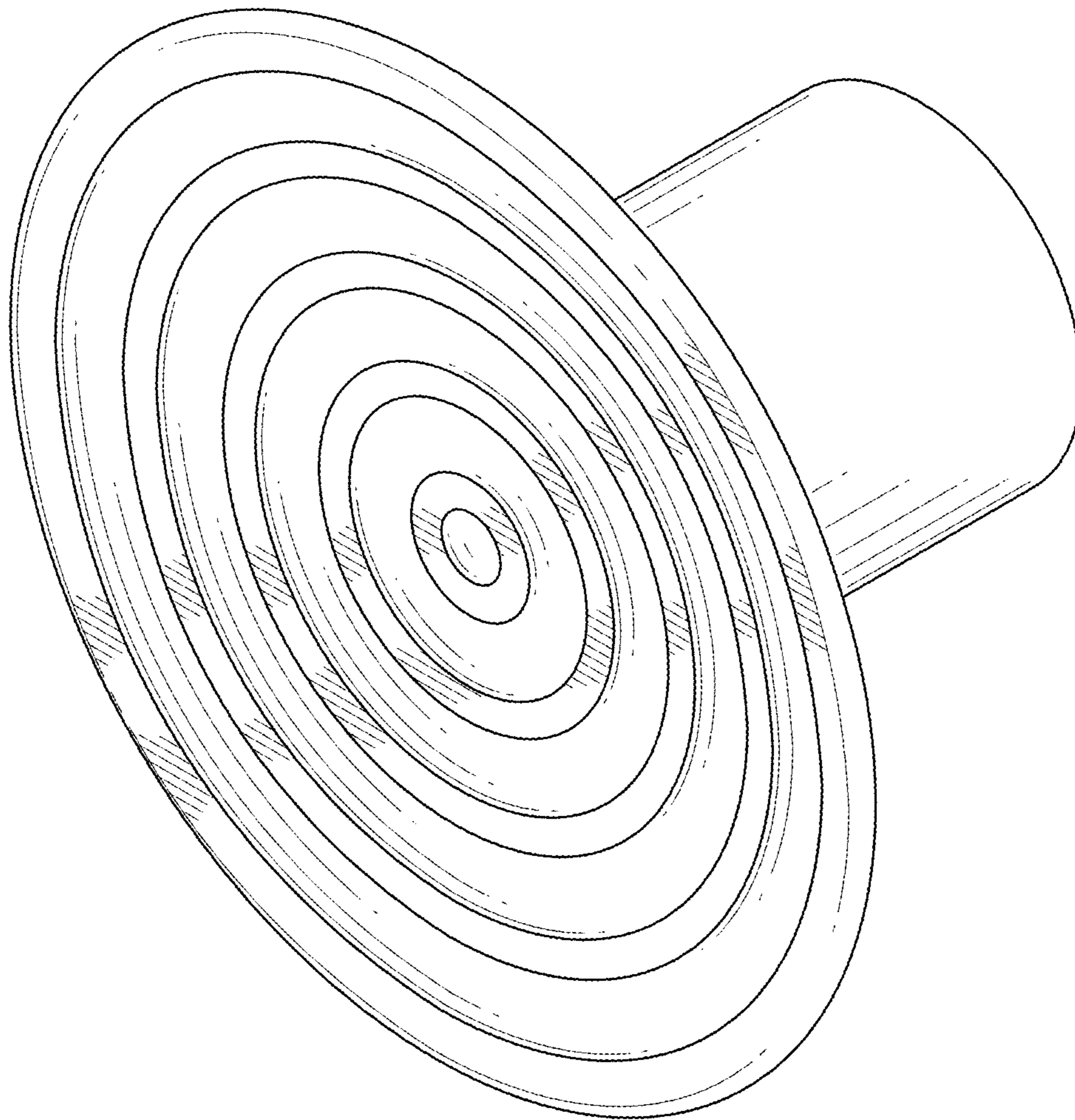
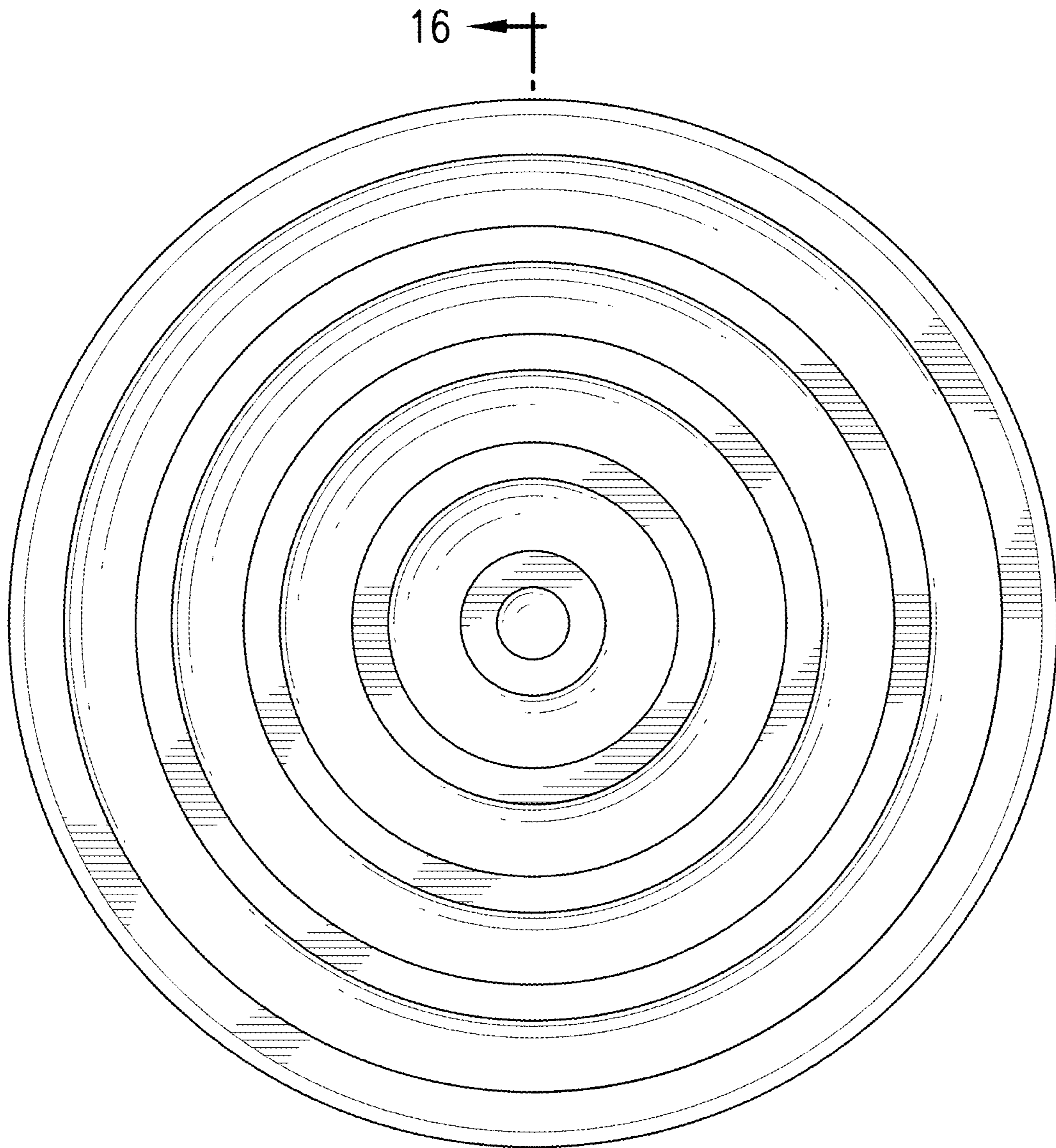


FIG. 9



16 ← |

FIG. 10

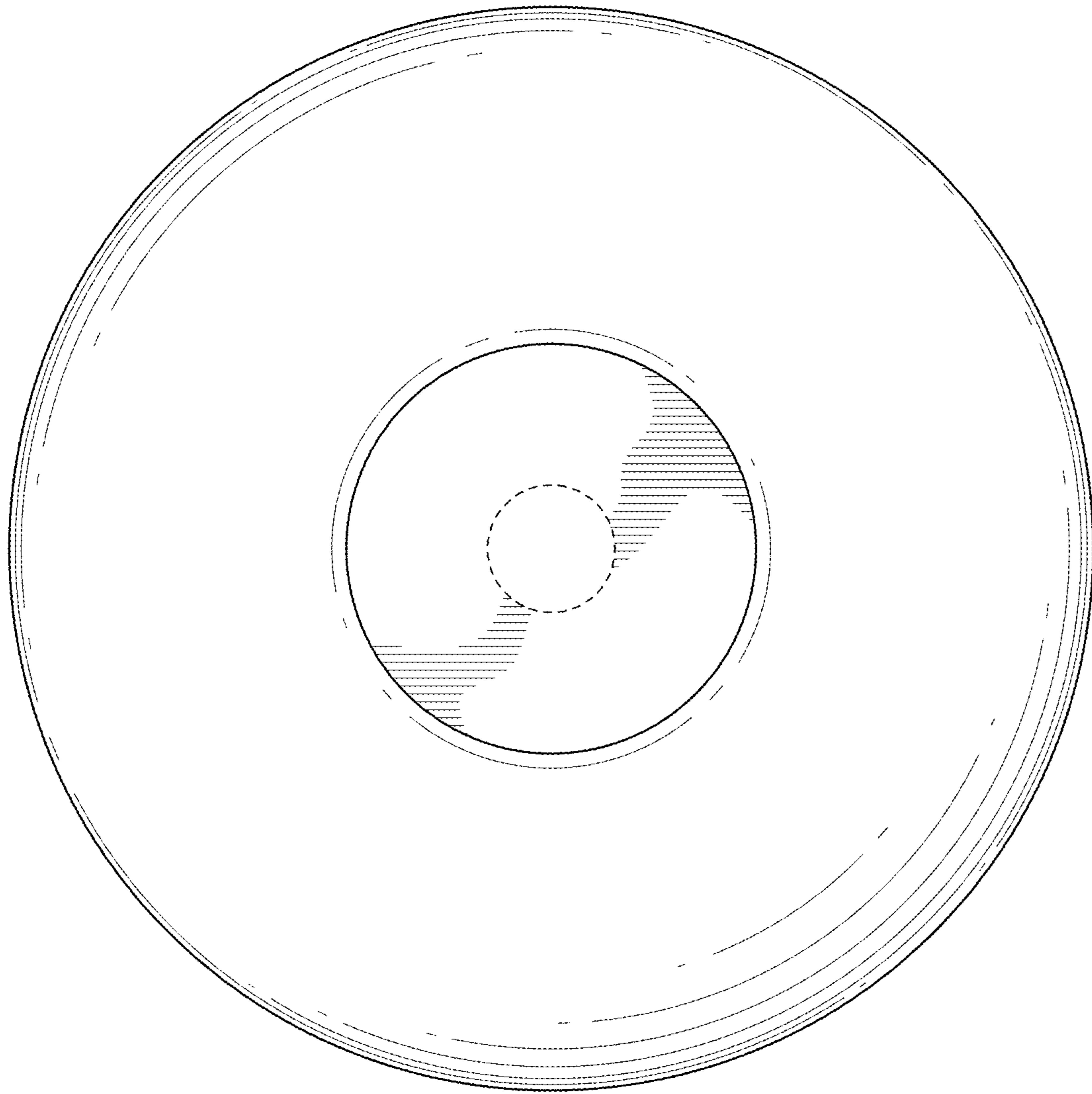


FIG. 11

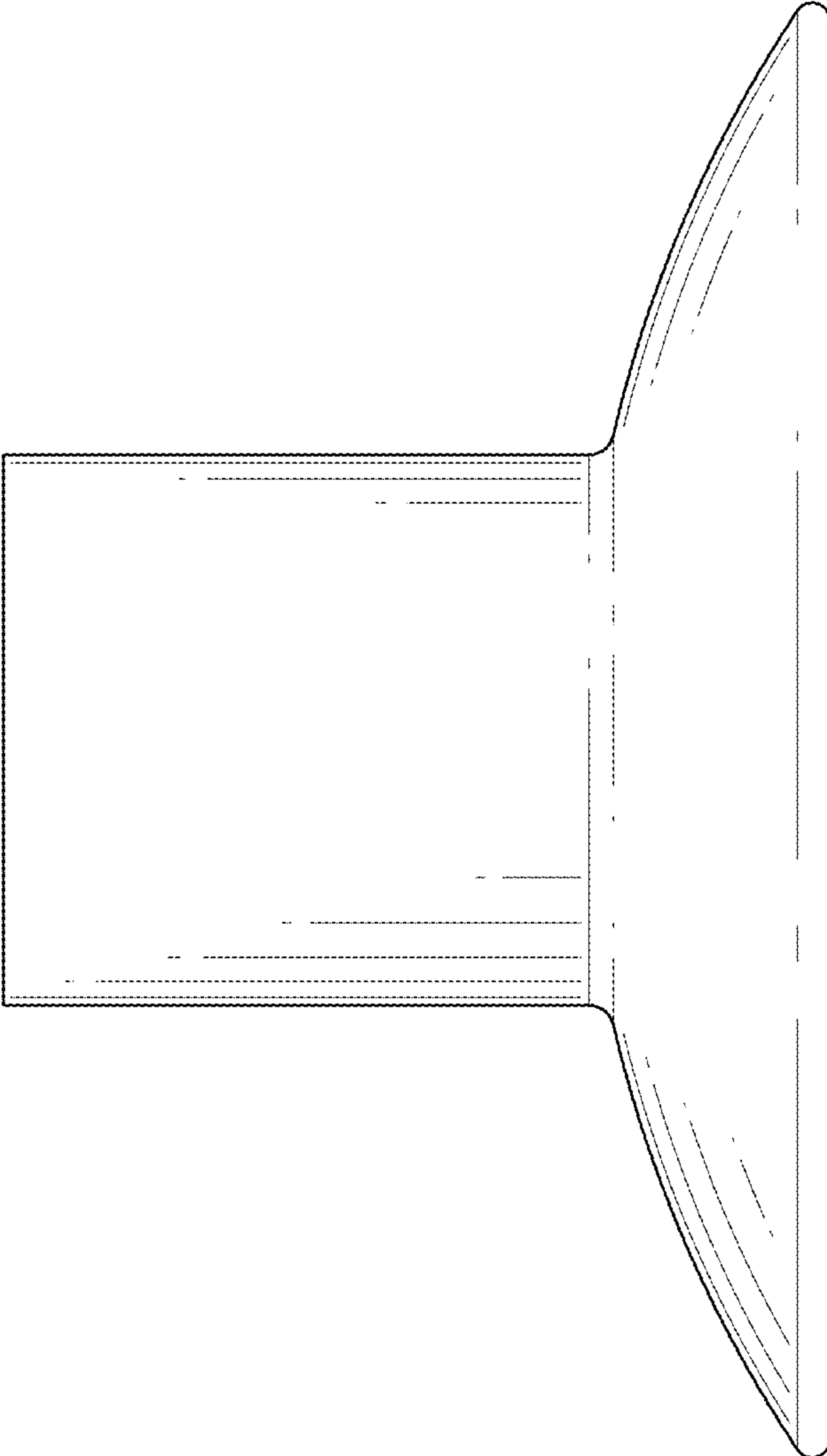


FIG. 12

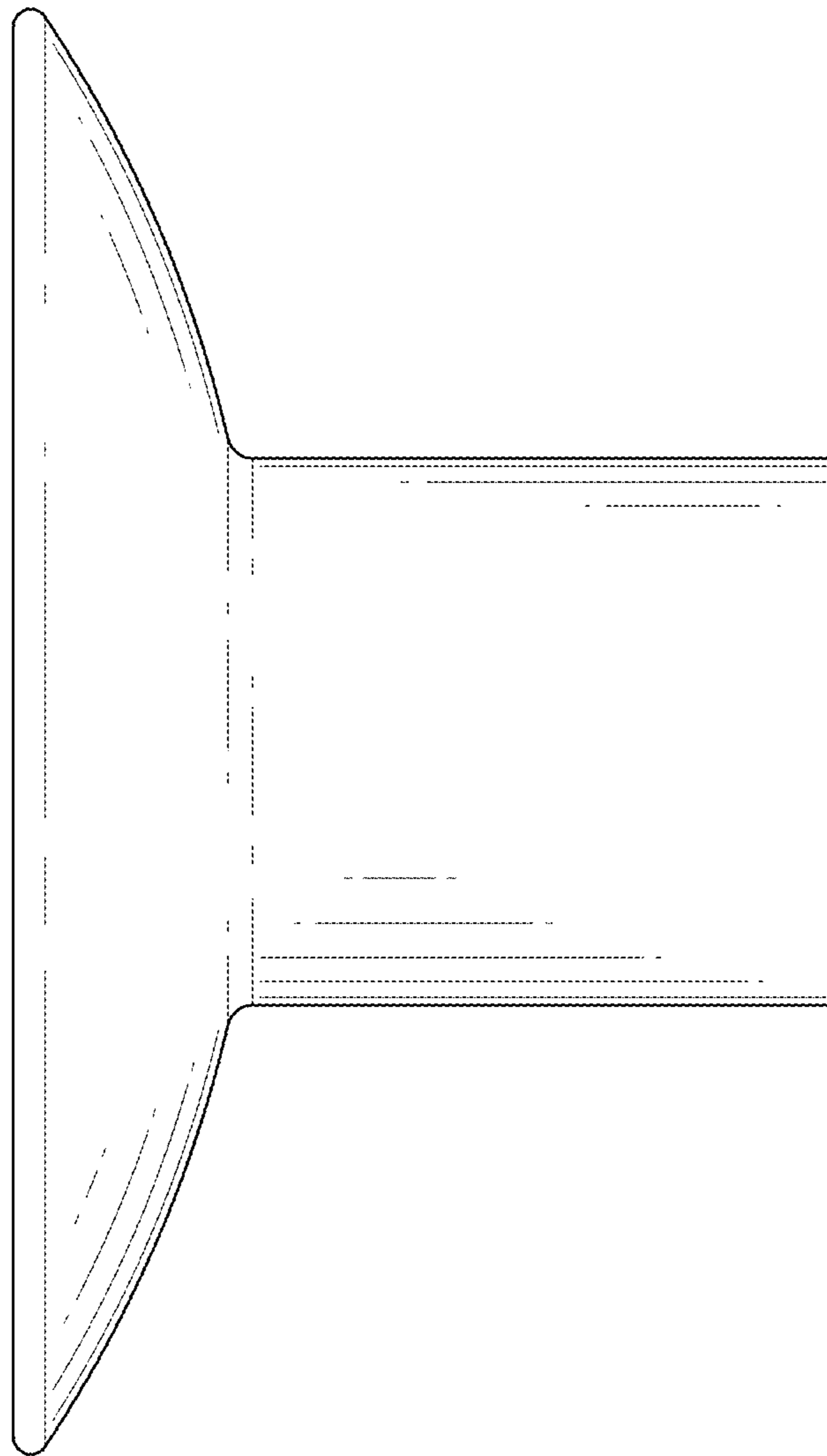


FIG. 13

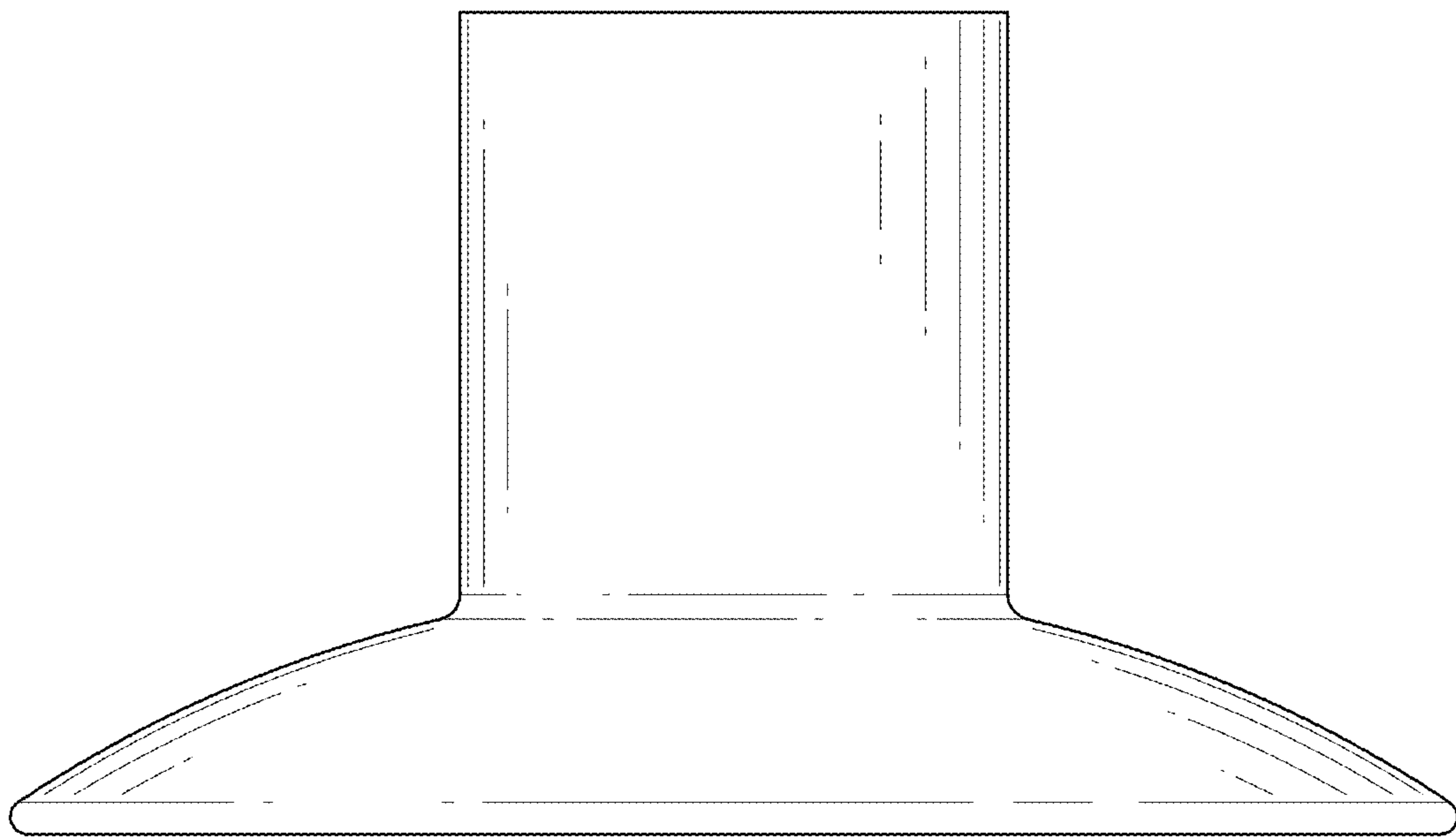


FIG. 14

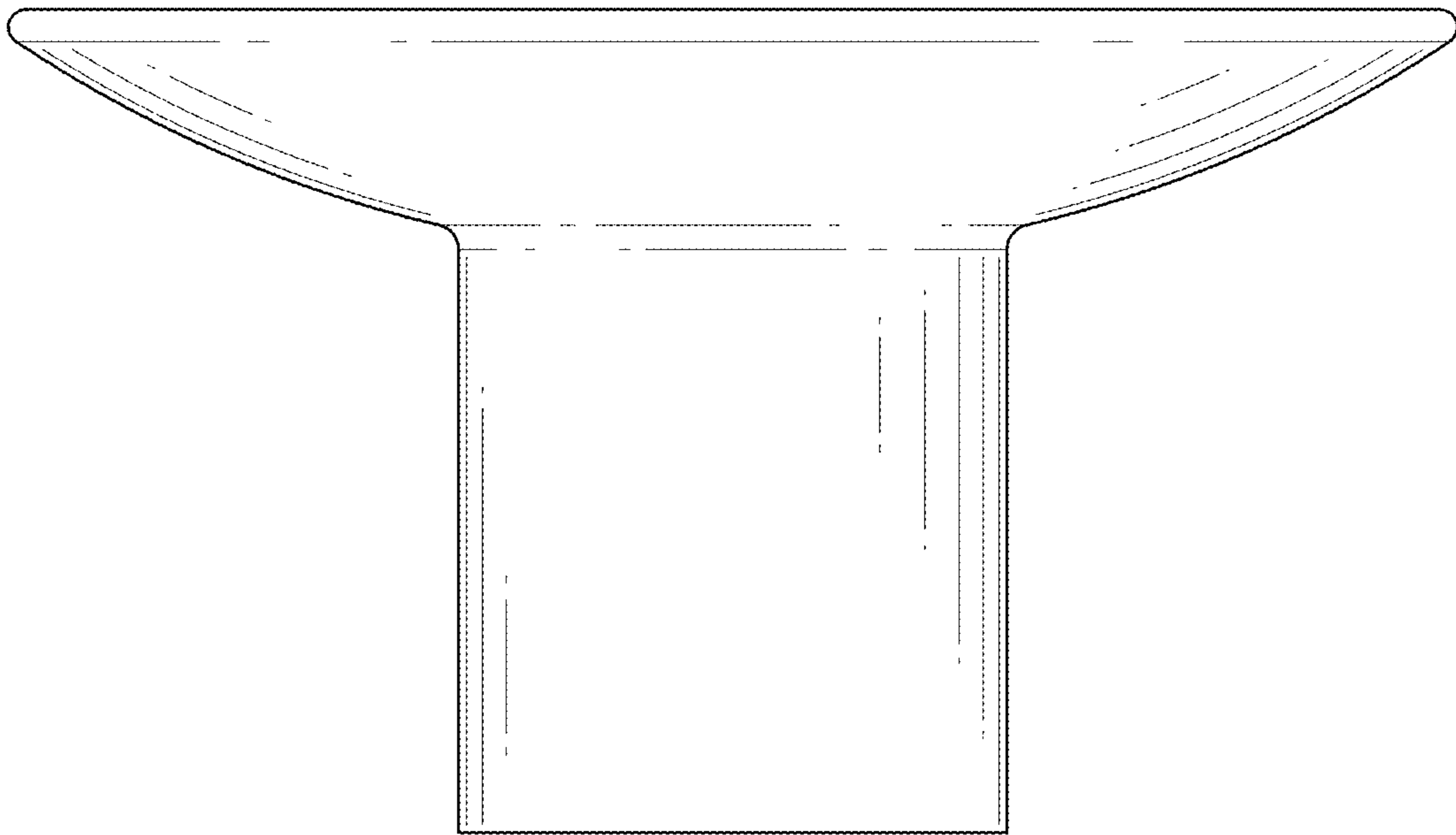


FIG. 15

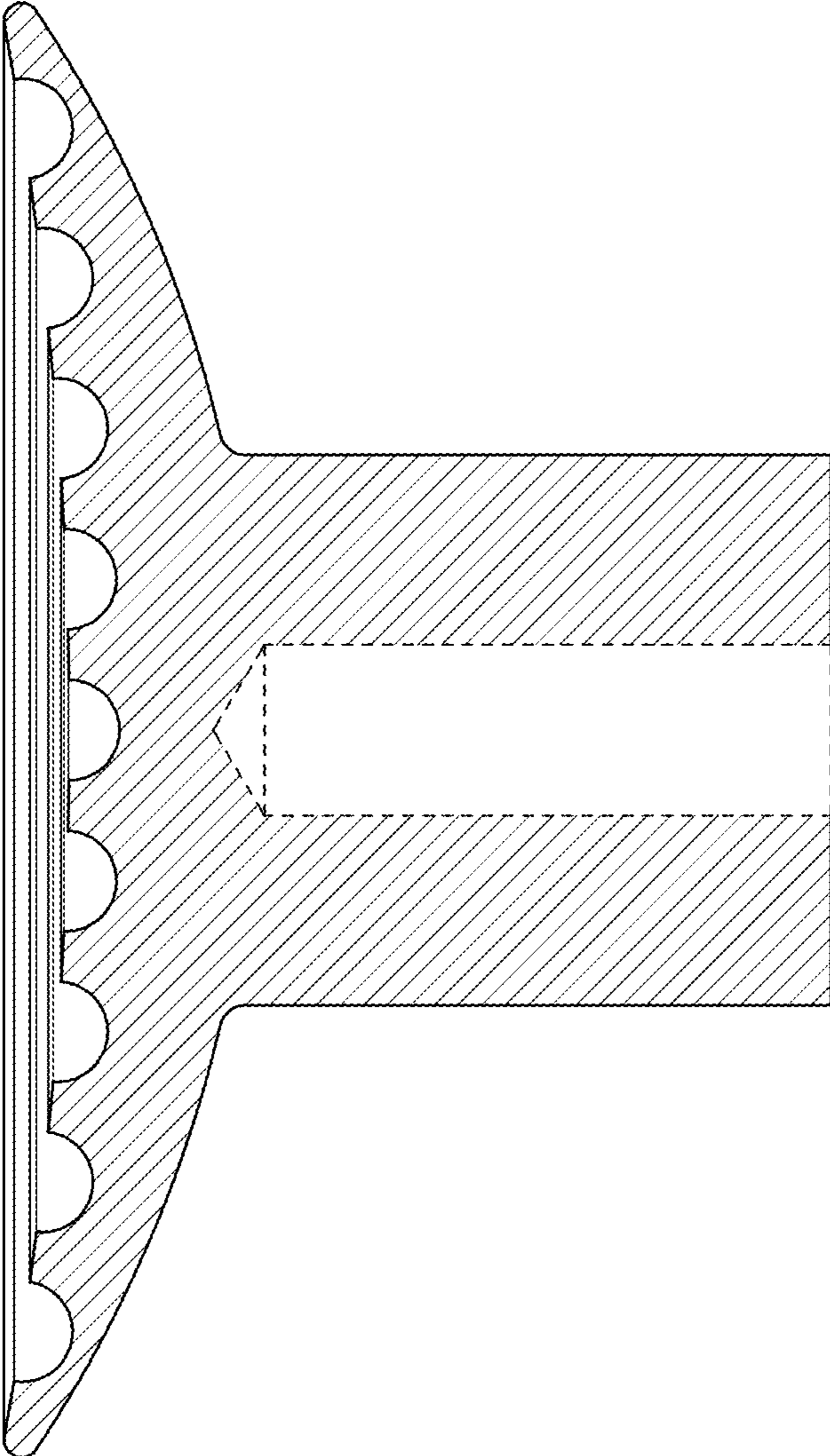


FIG. 16

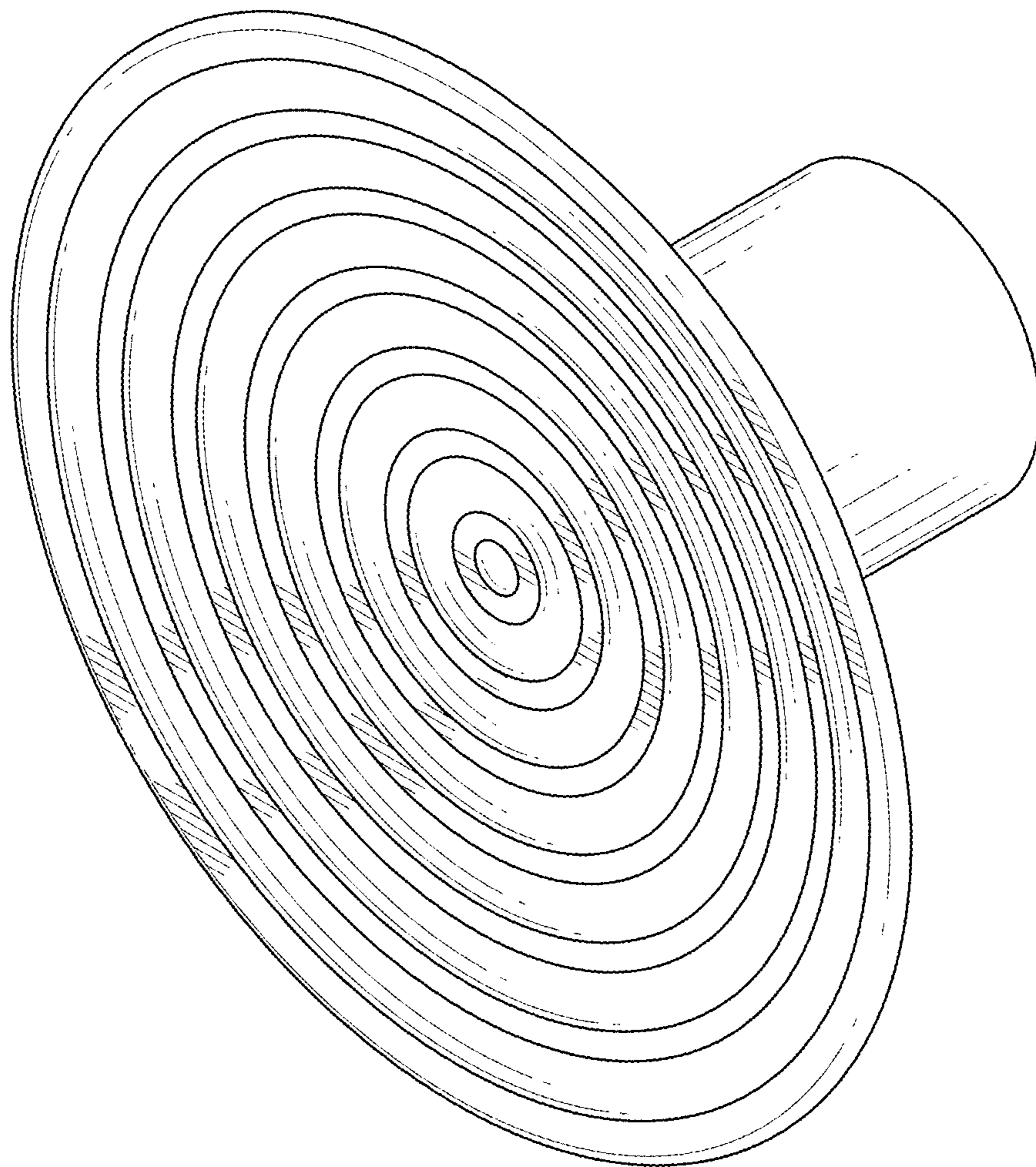
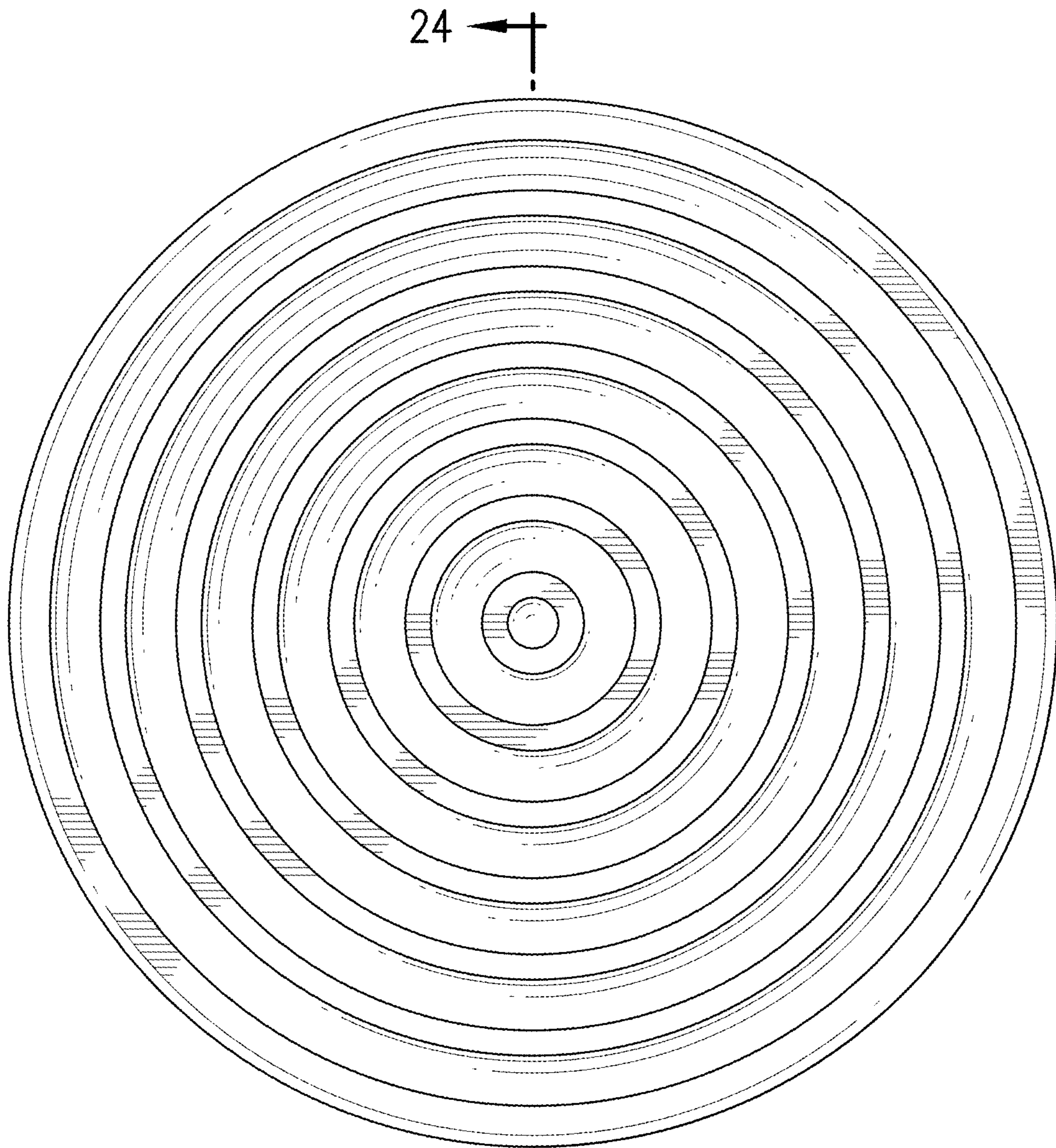


FIG. 17



24 ← |

FIG. 18

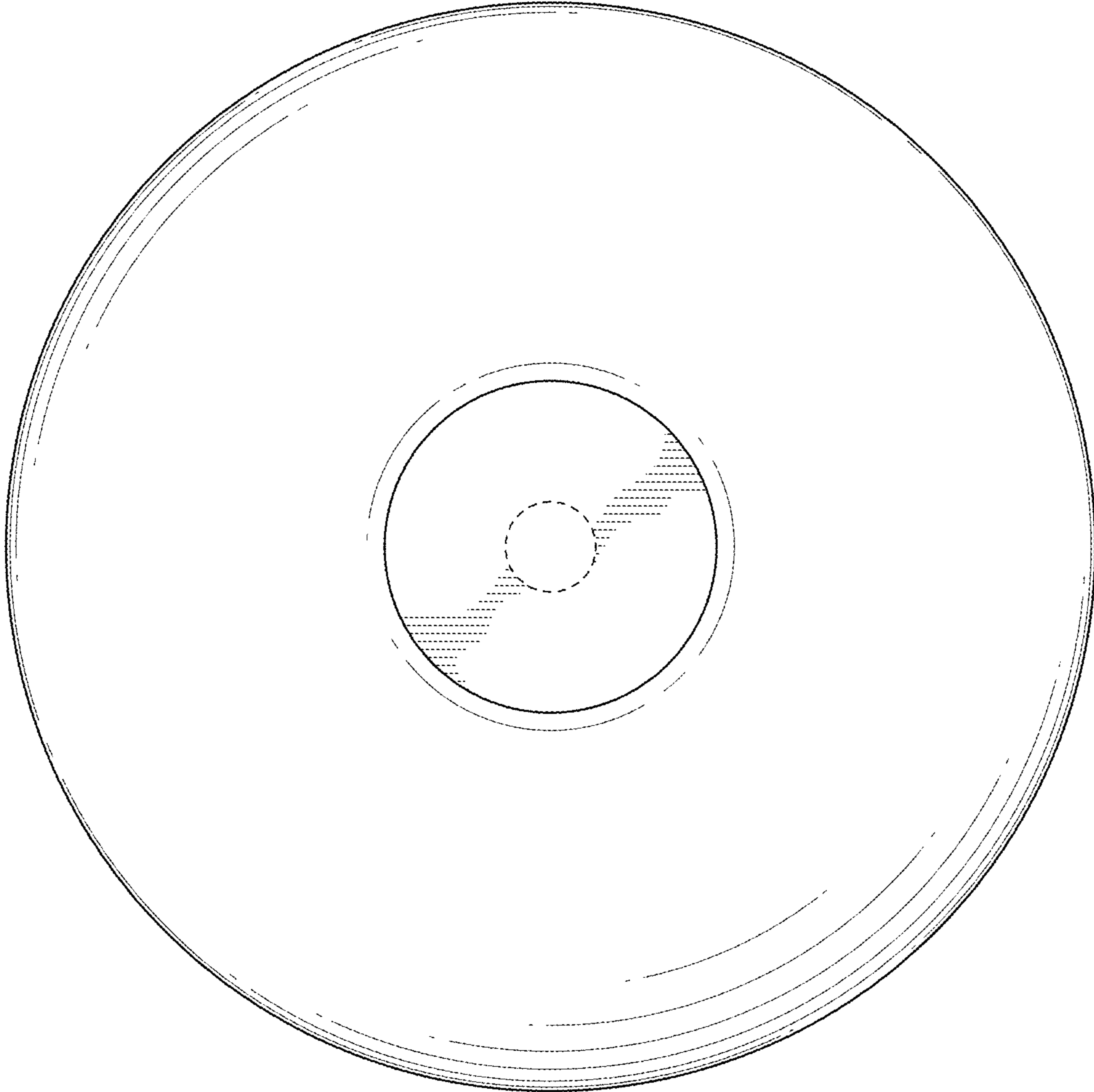


FIG. 19

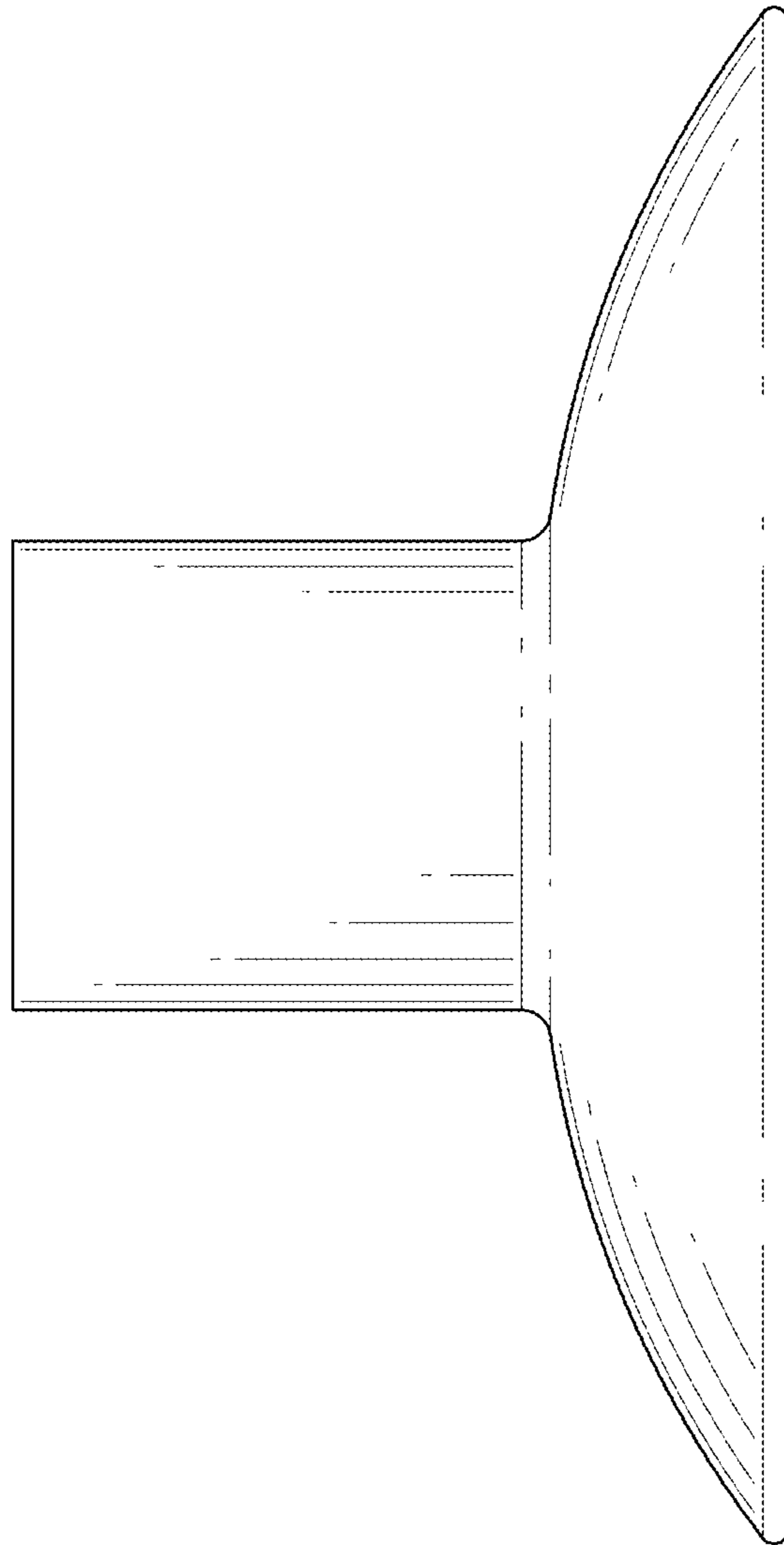


FIG. 20

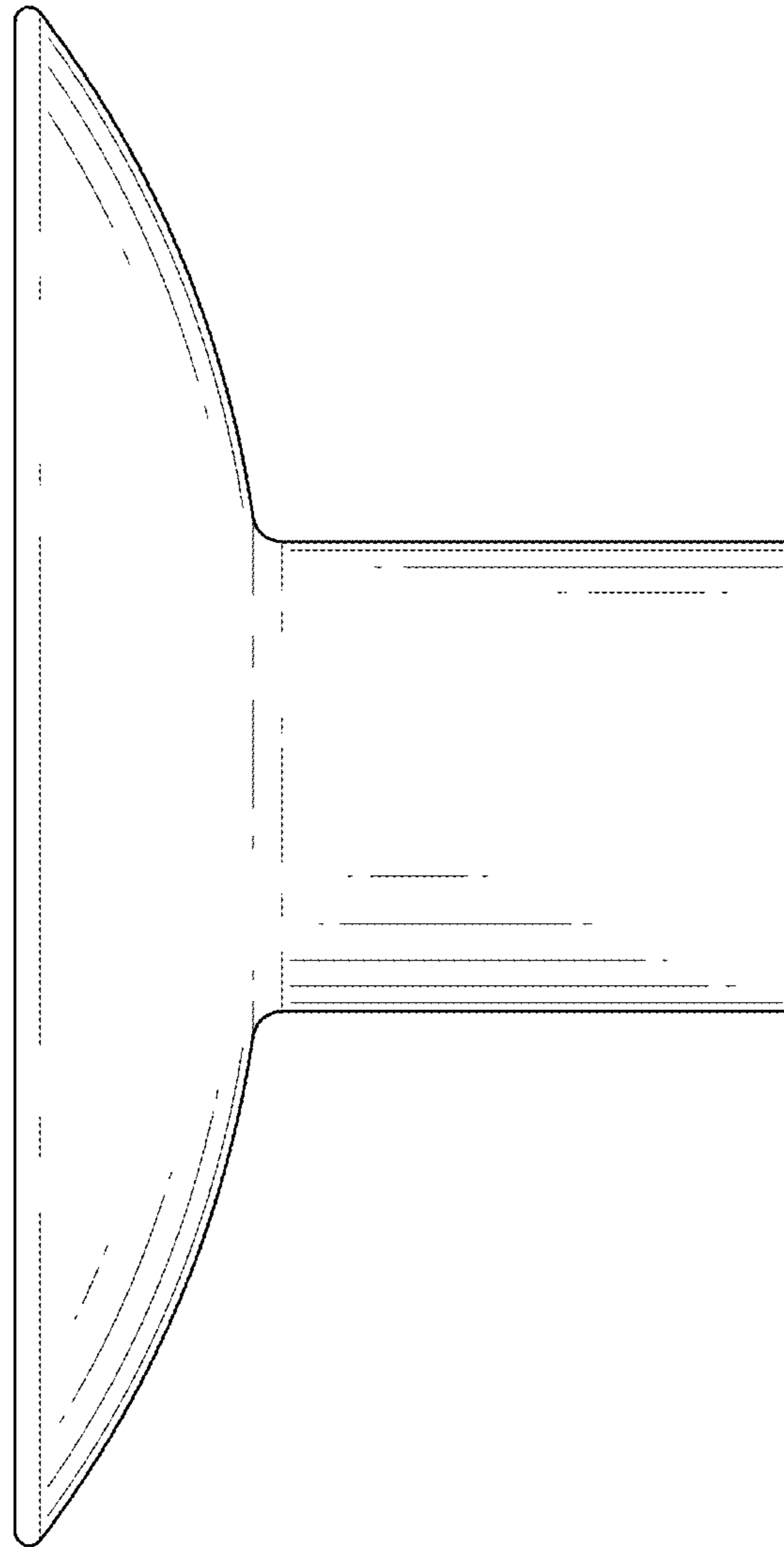


FIG.21

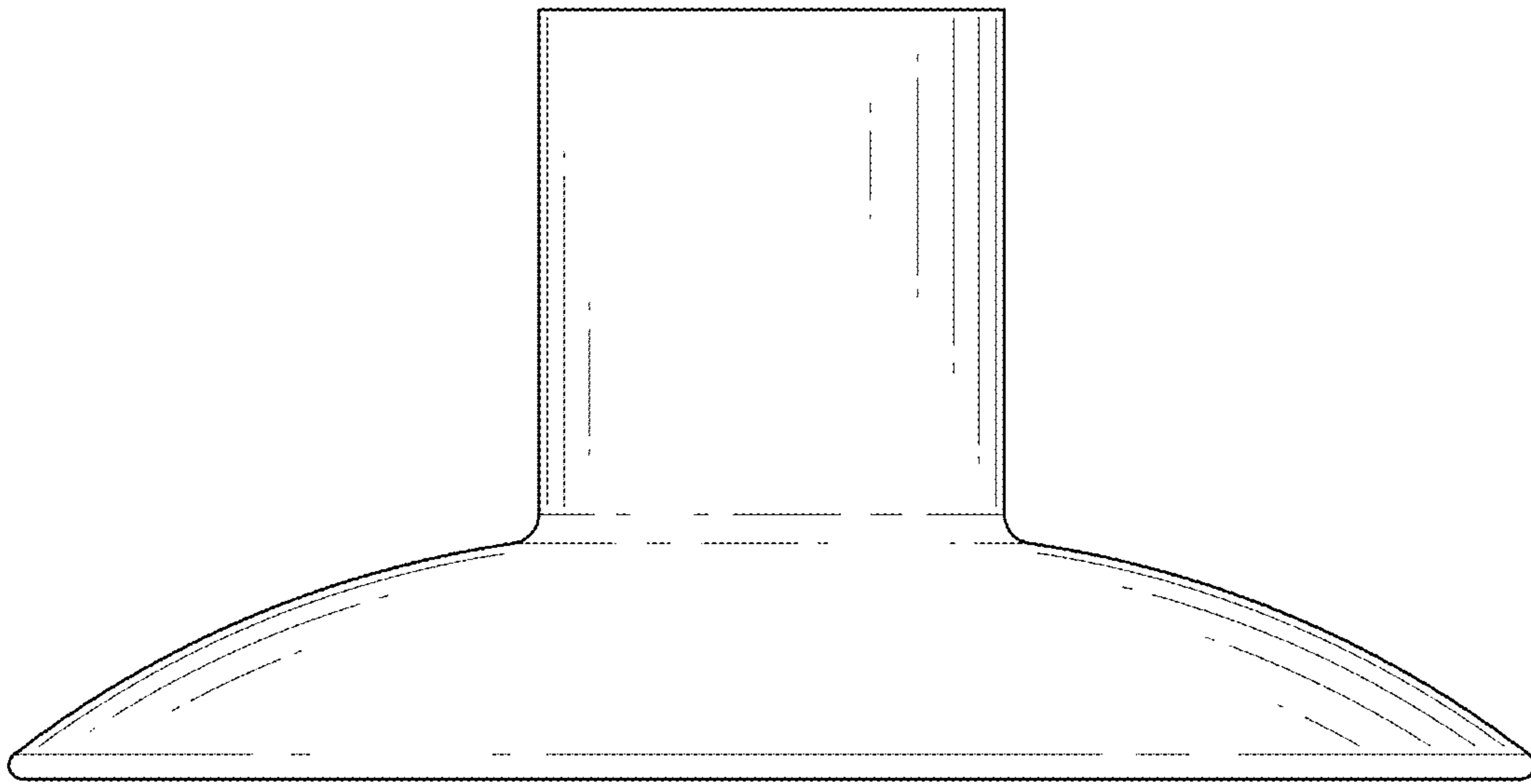


FIG. 22

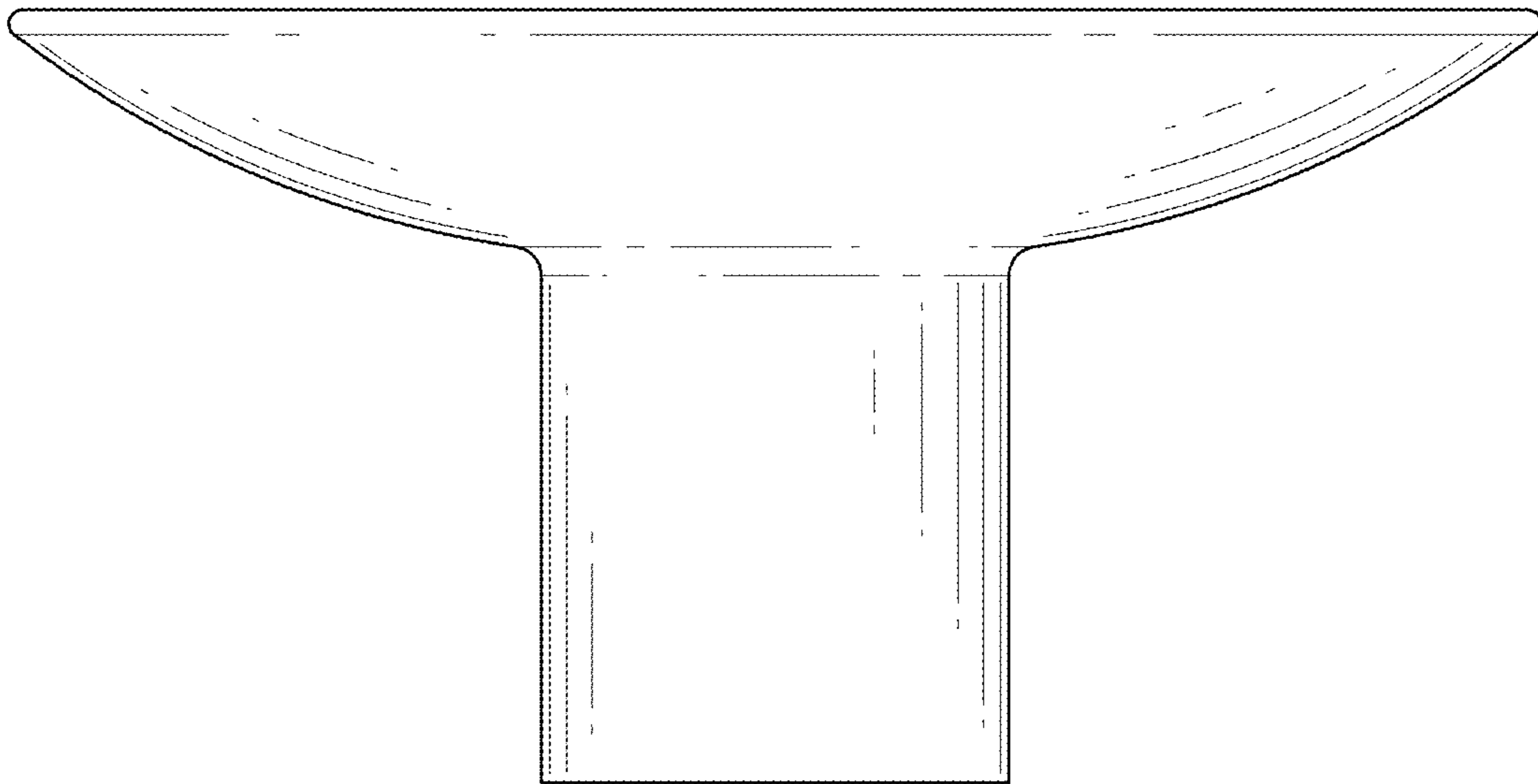


FIG.23

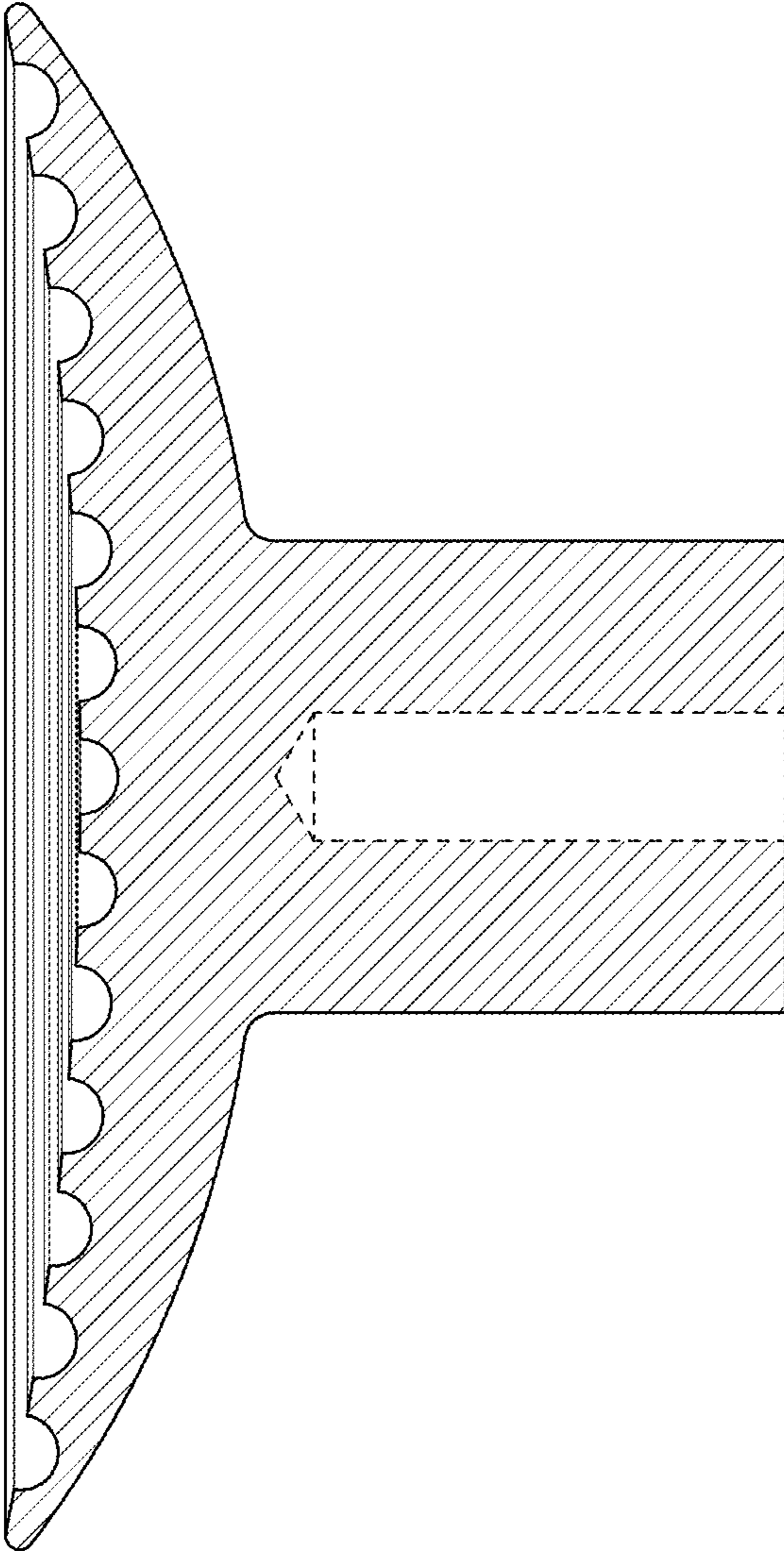


FIG.24

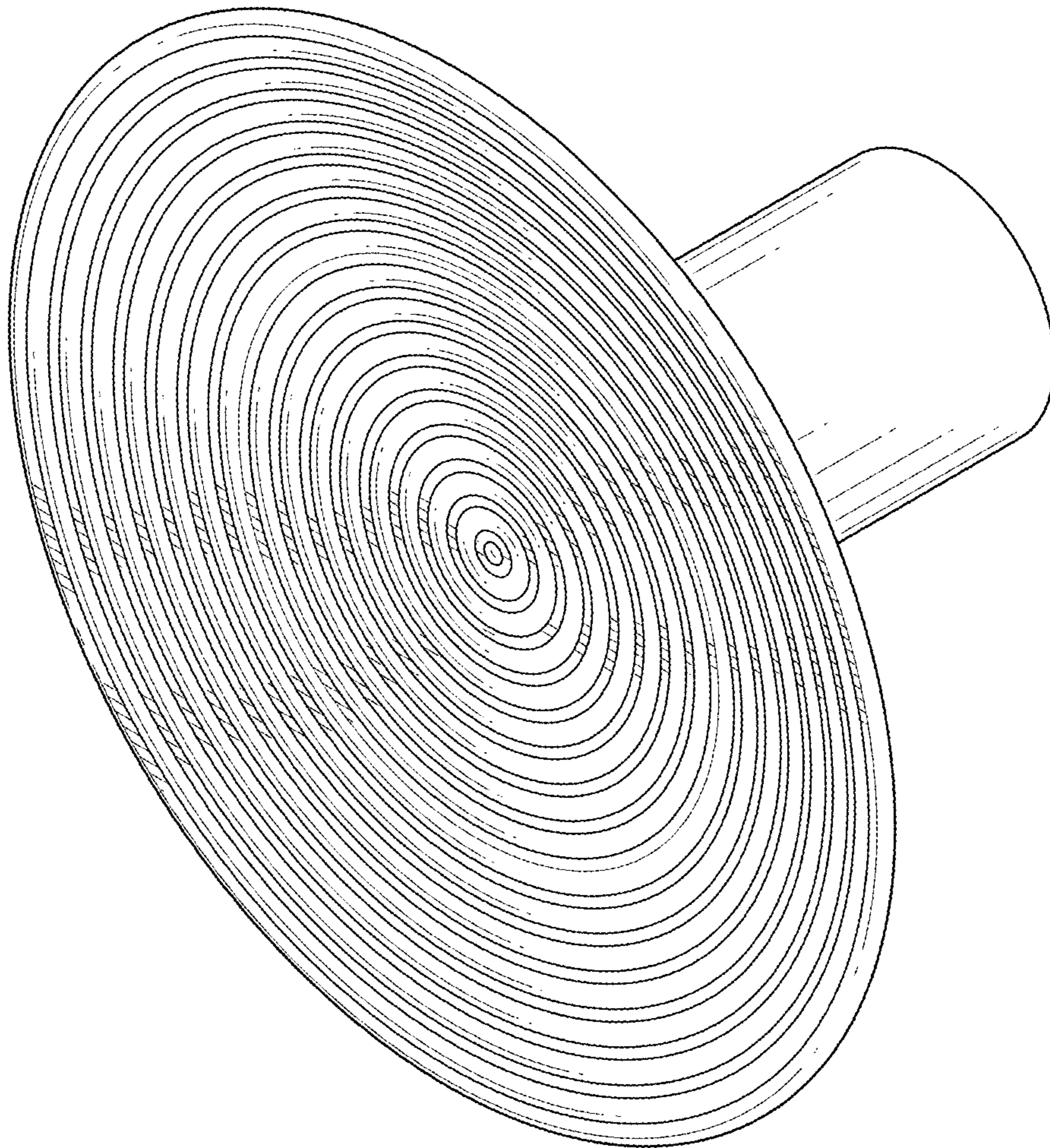
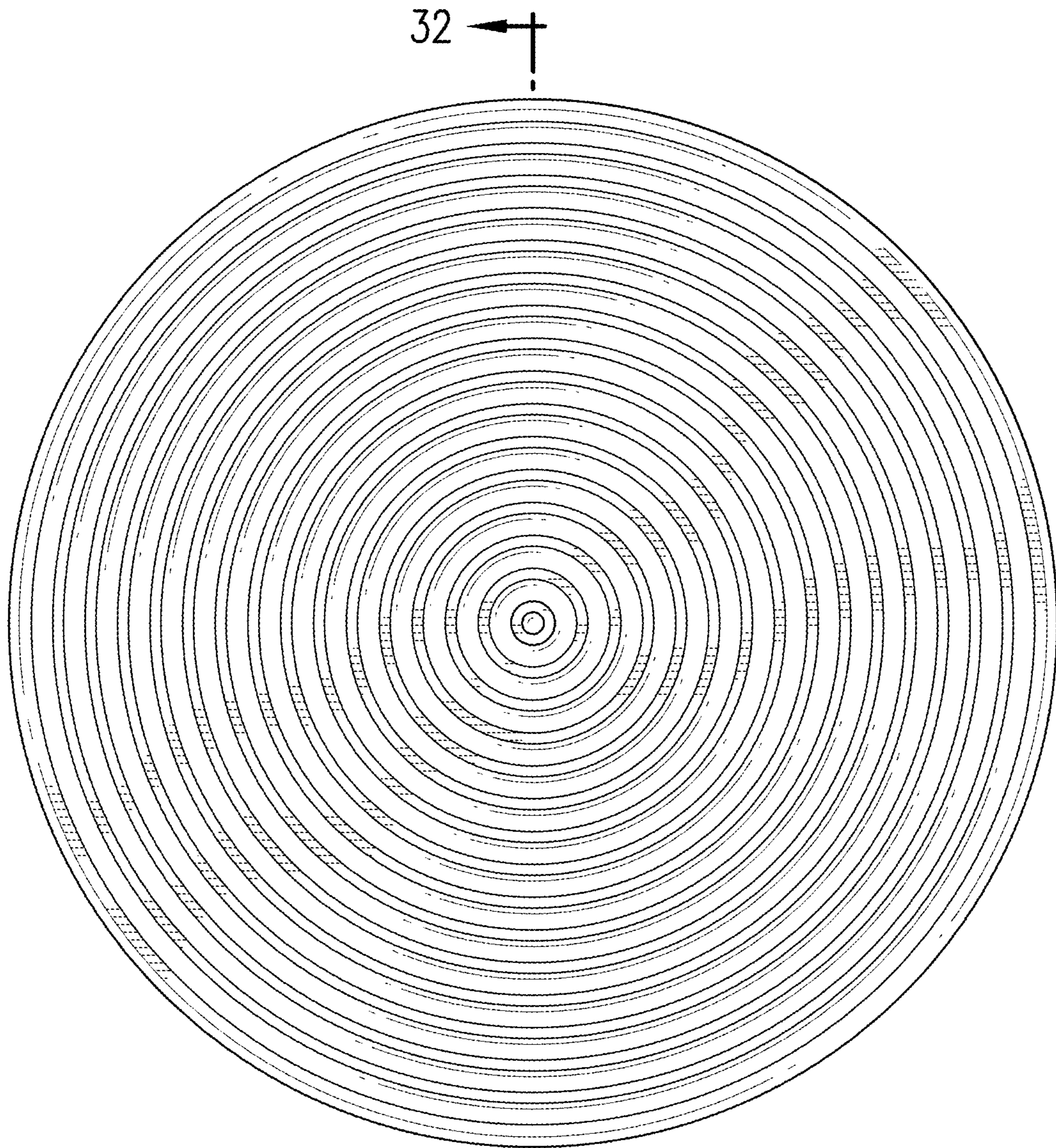


FIG.25



32 ← |

FIG. 26

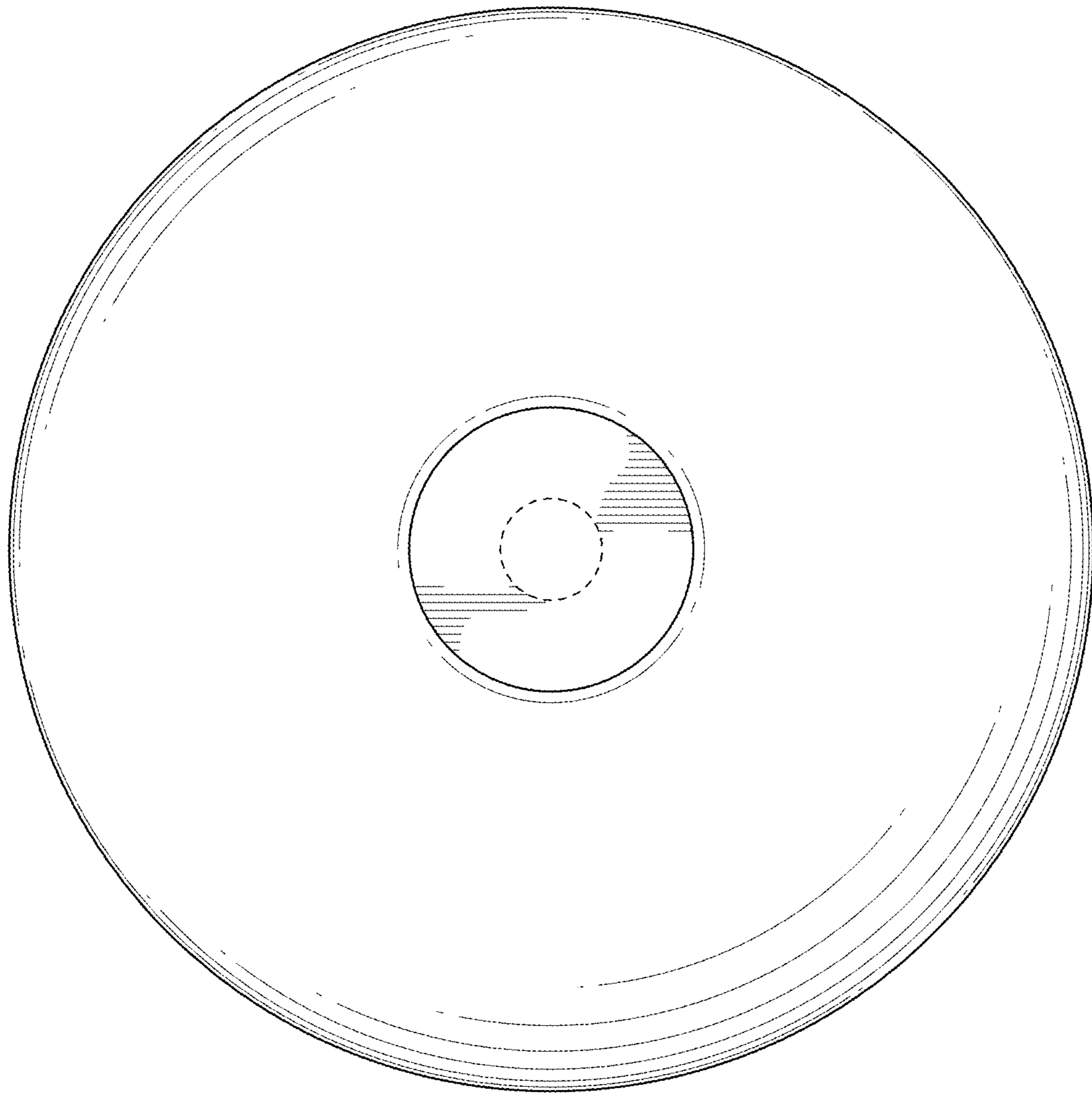


FIG.27

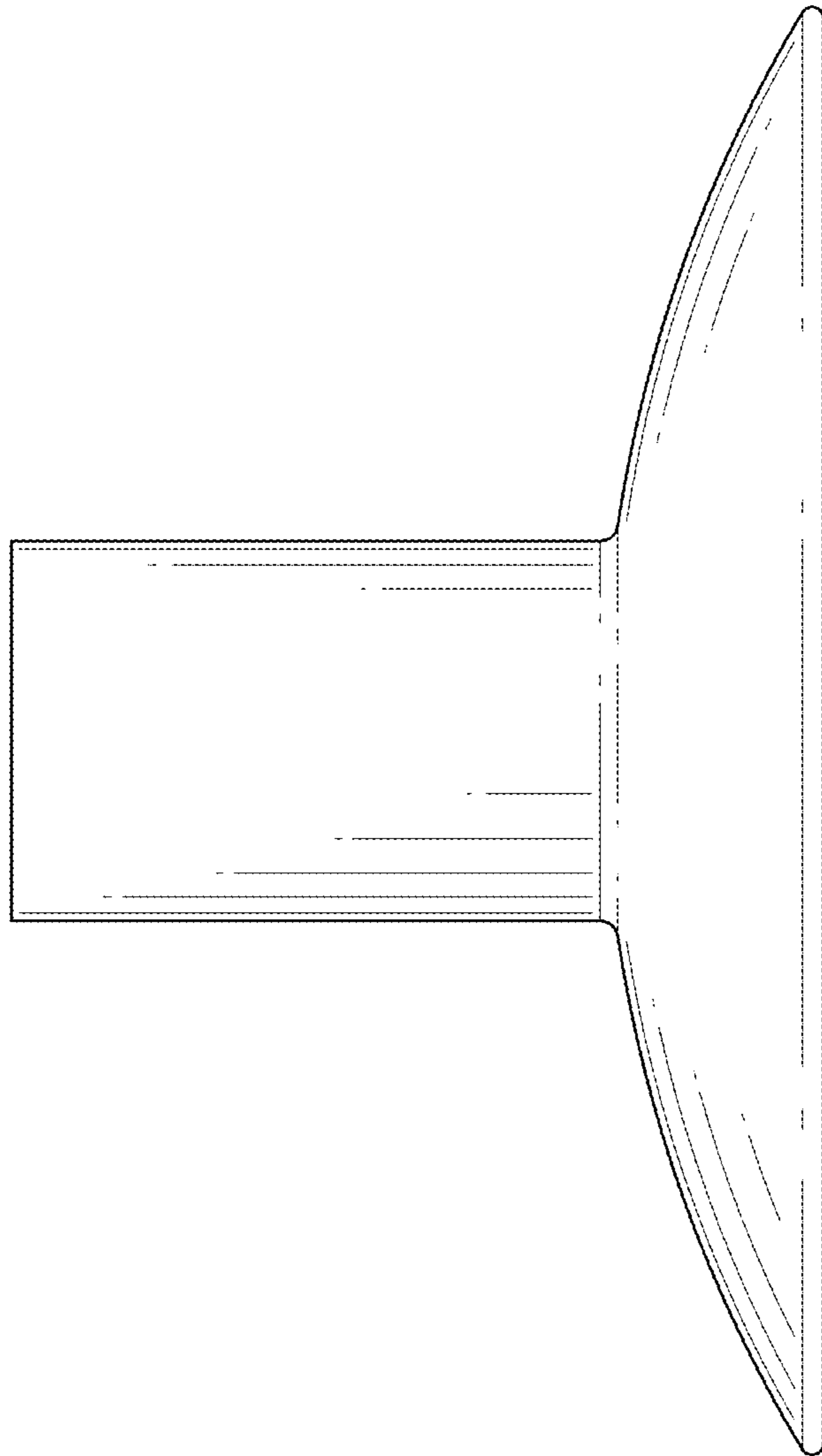


FIG. 28

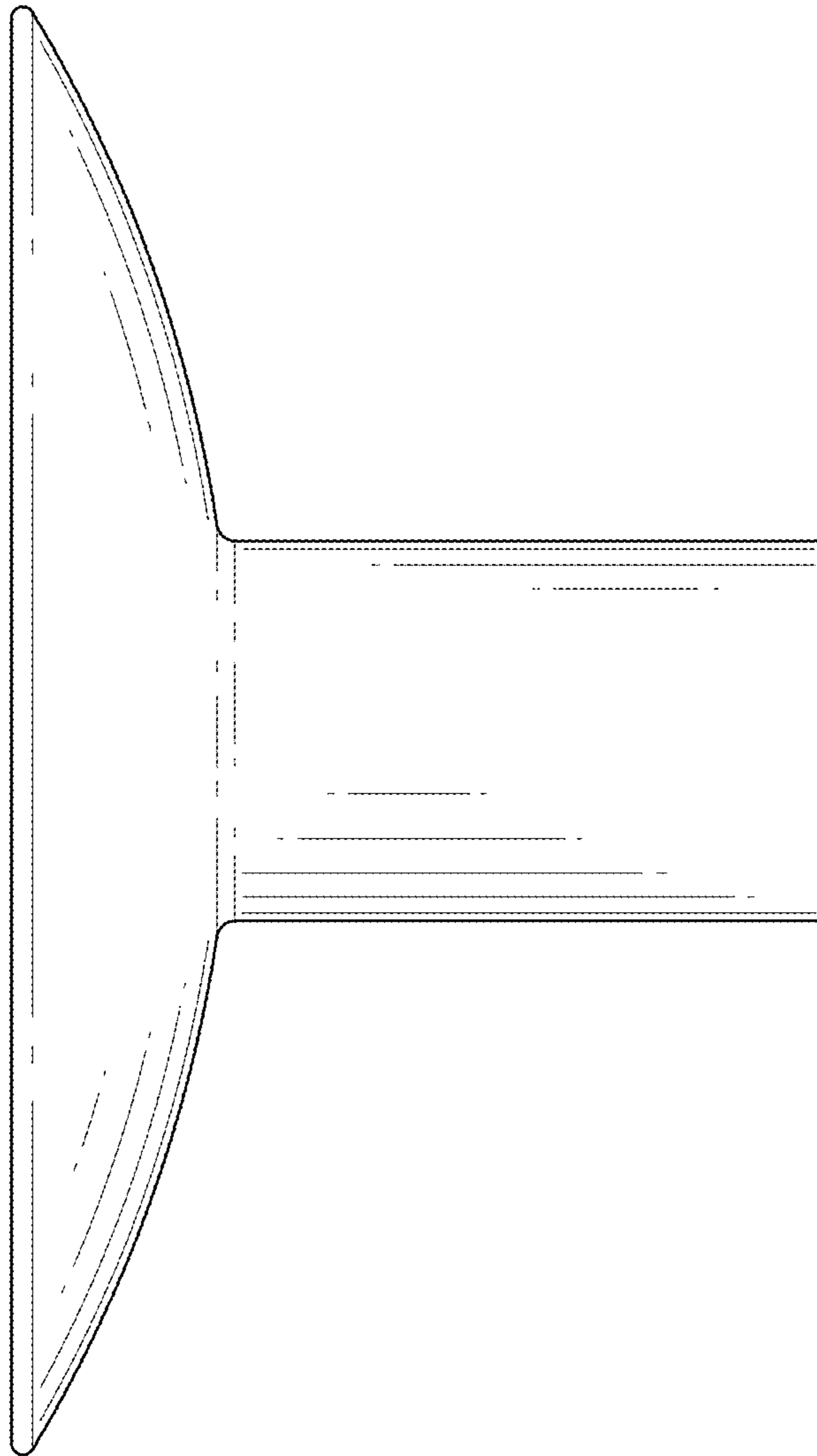


FIG. 29

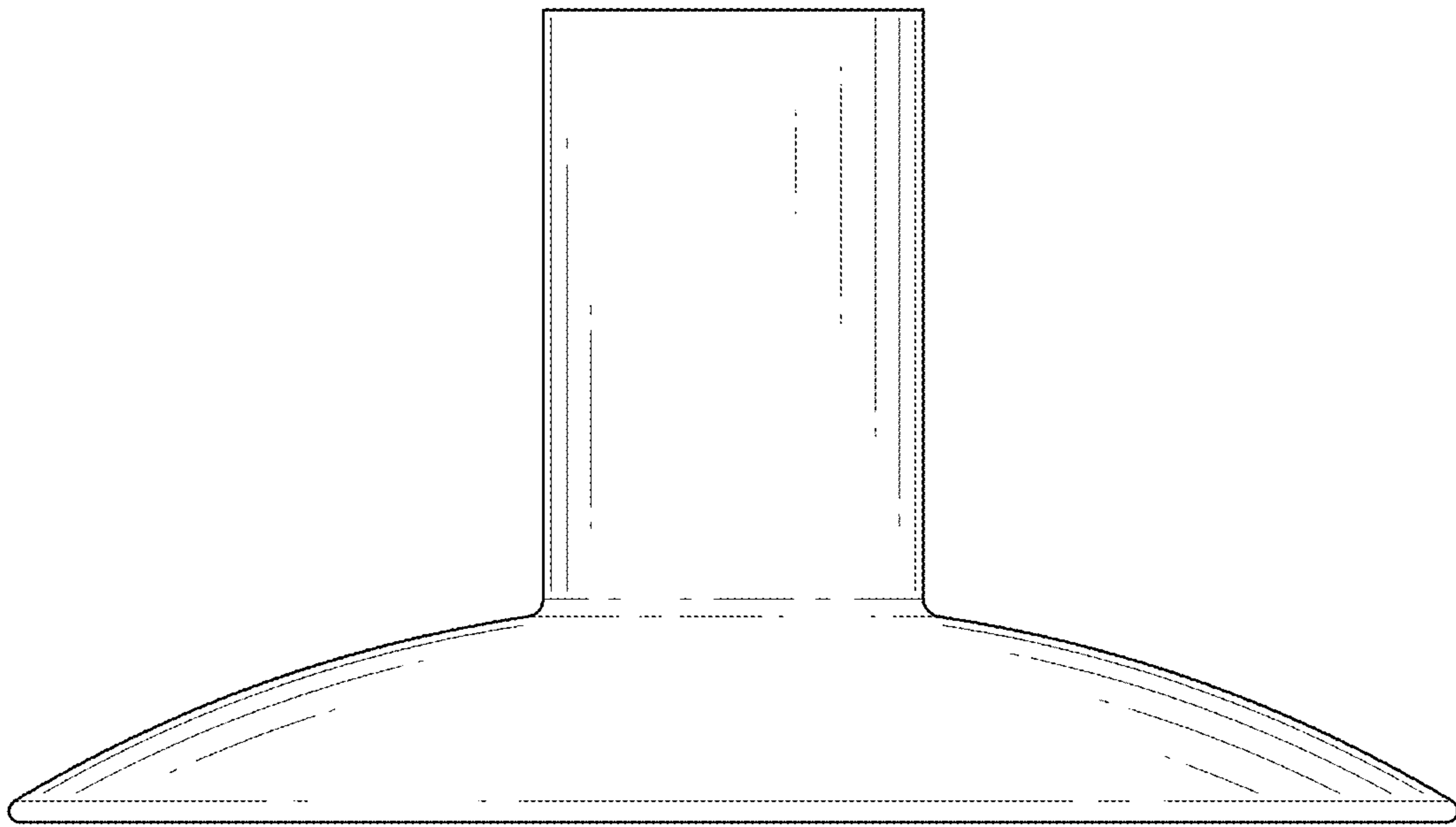


FIG. 30

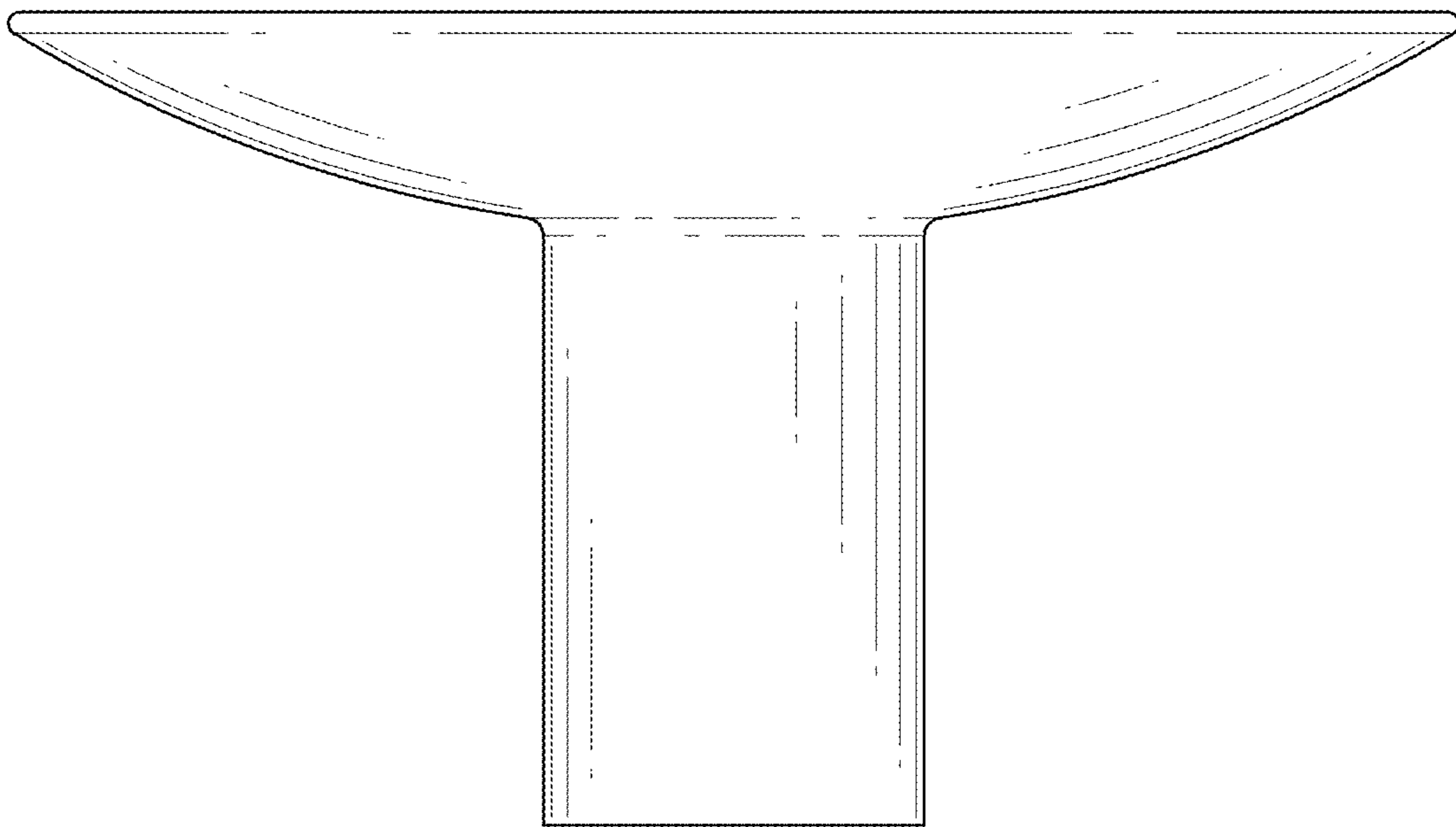


FIG. 31

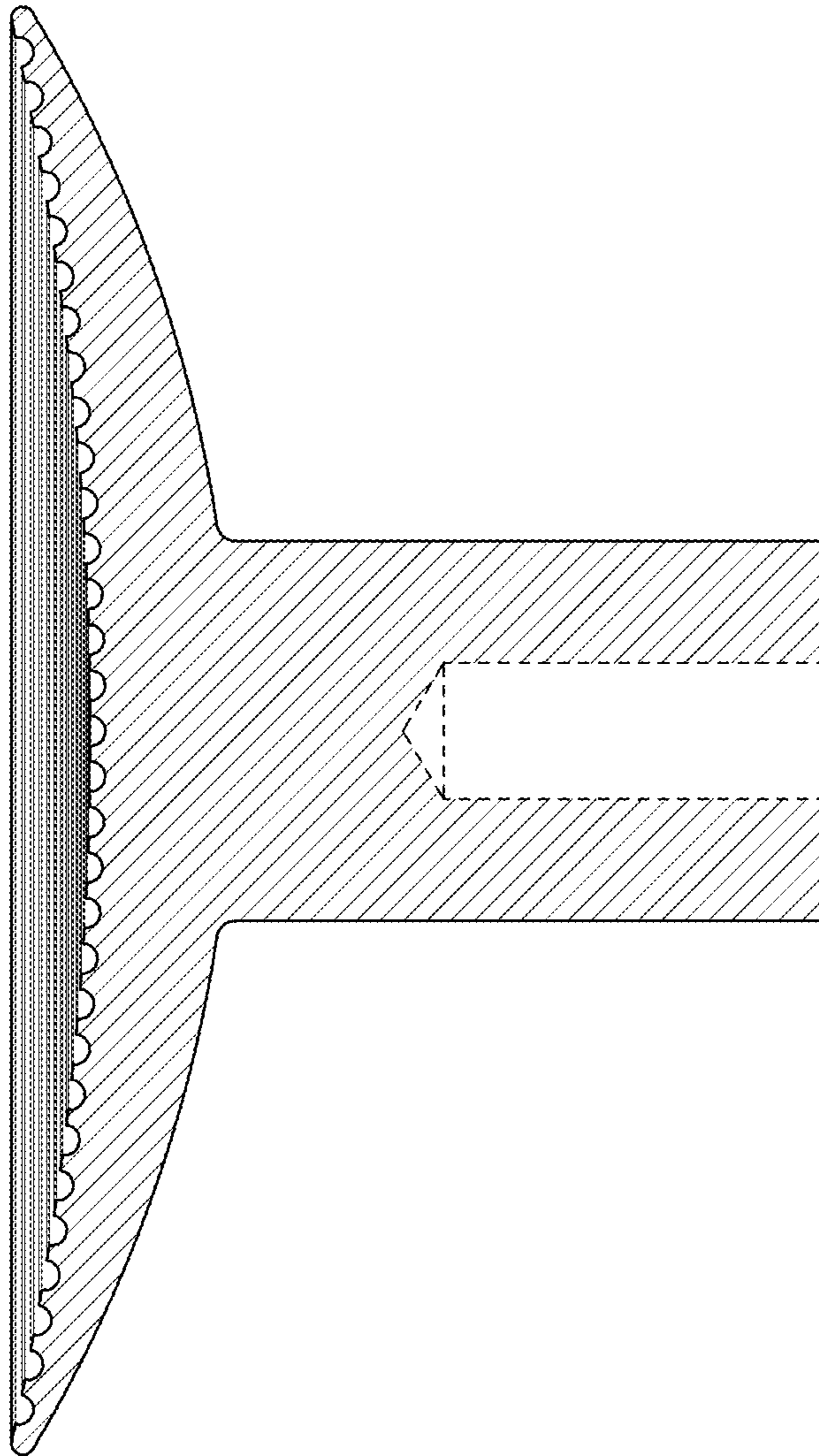


FIG.32

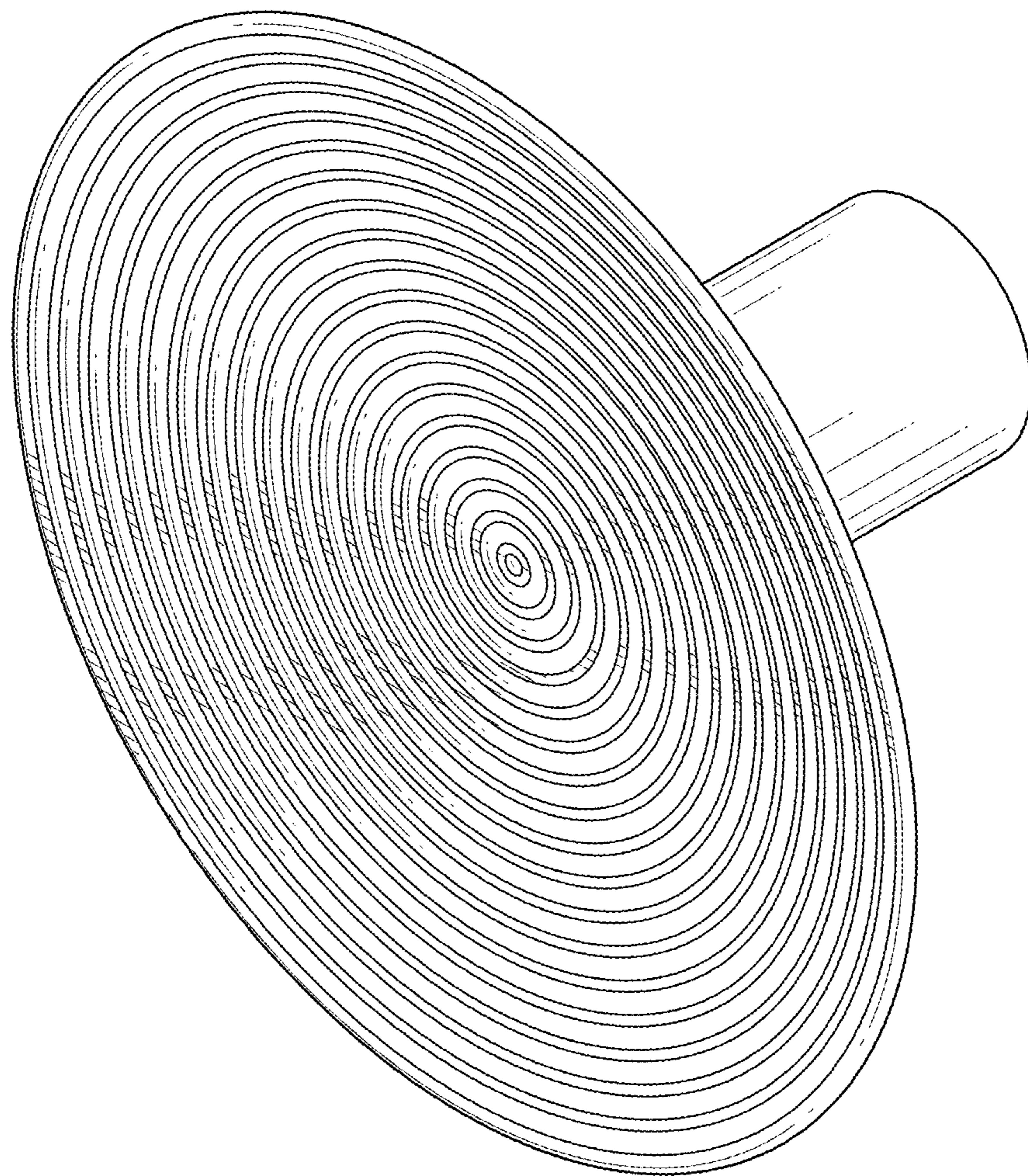
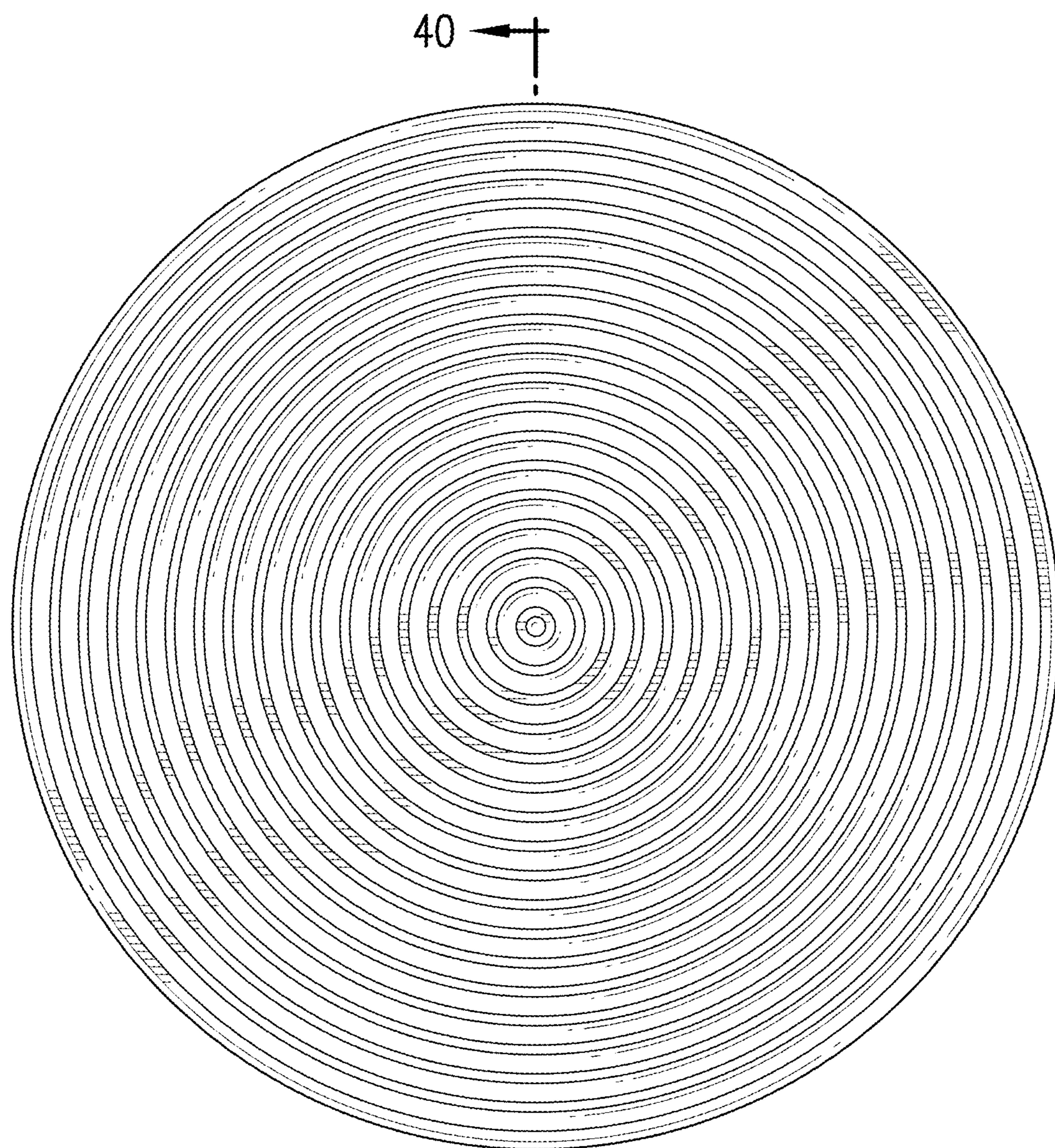


FIG. 33



40 ← |

FIG. 34

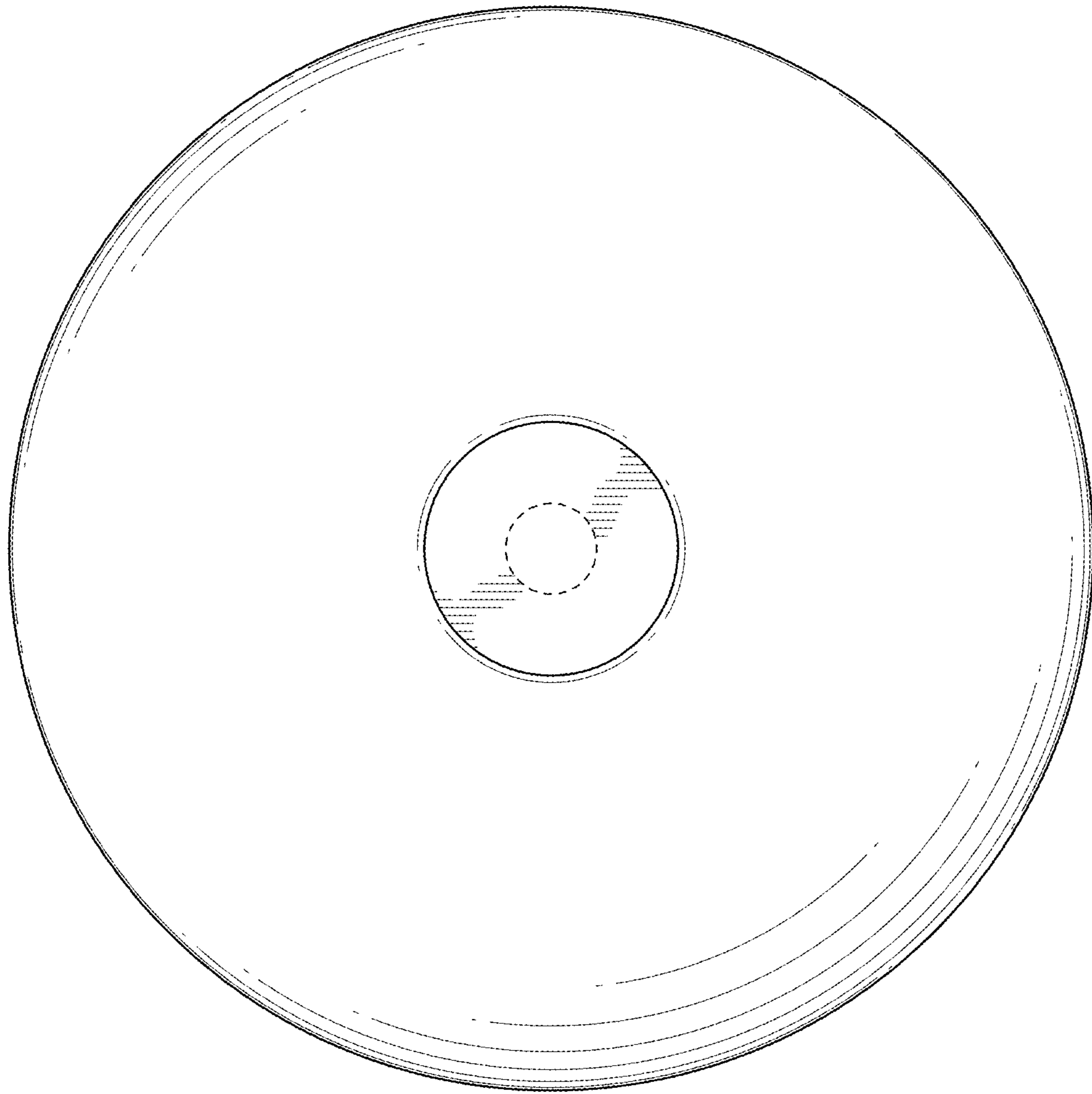


FIG. 35

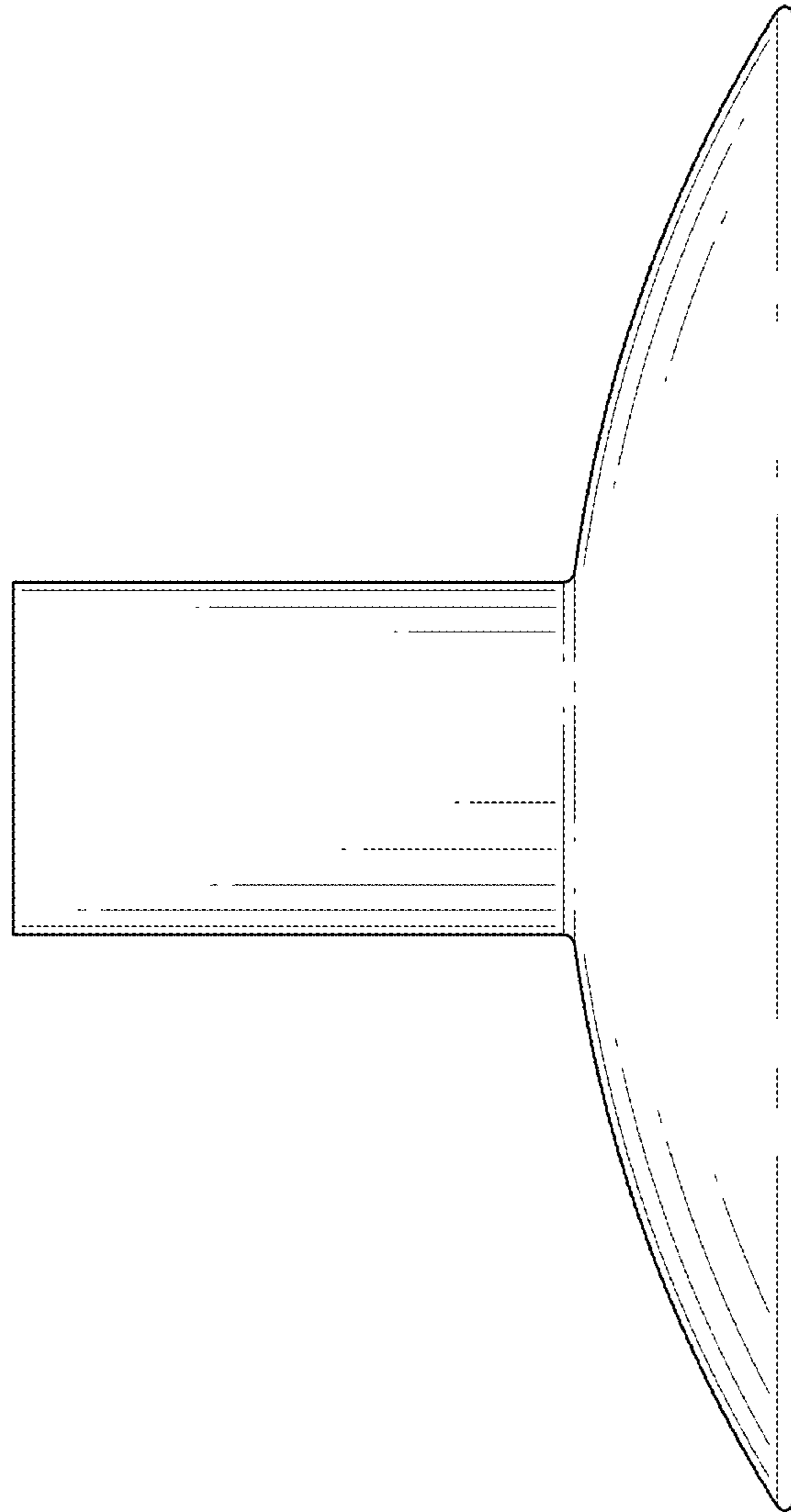


FIG. 36

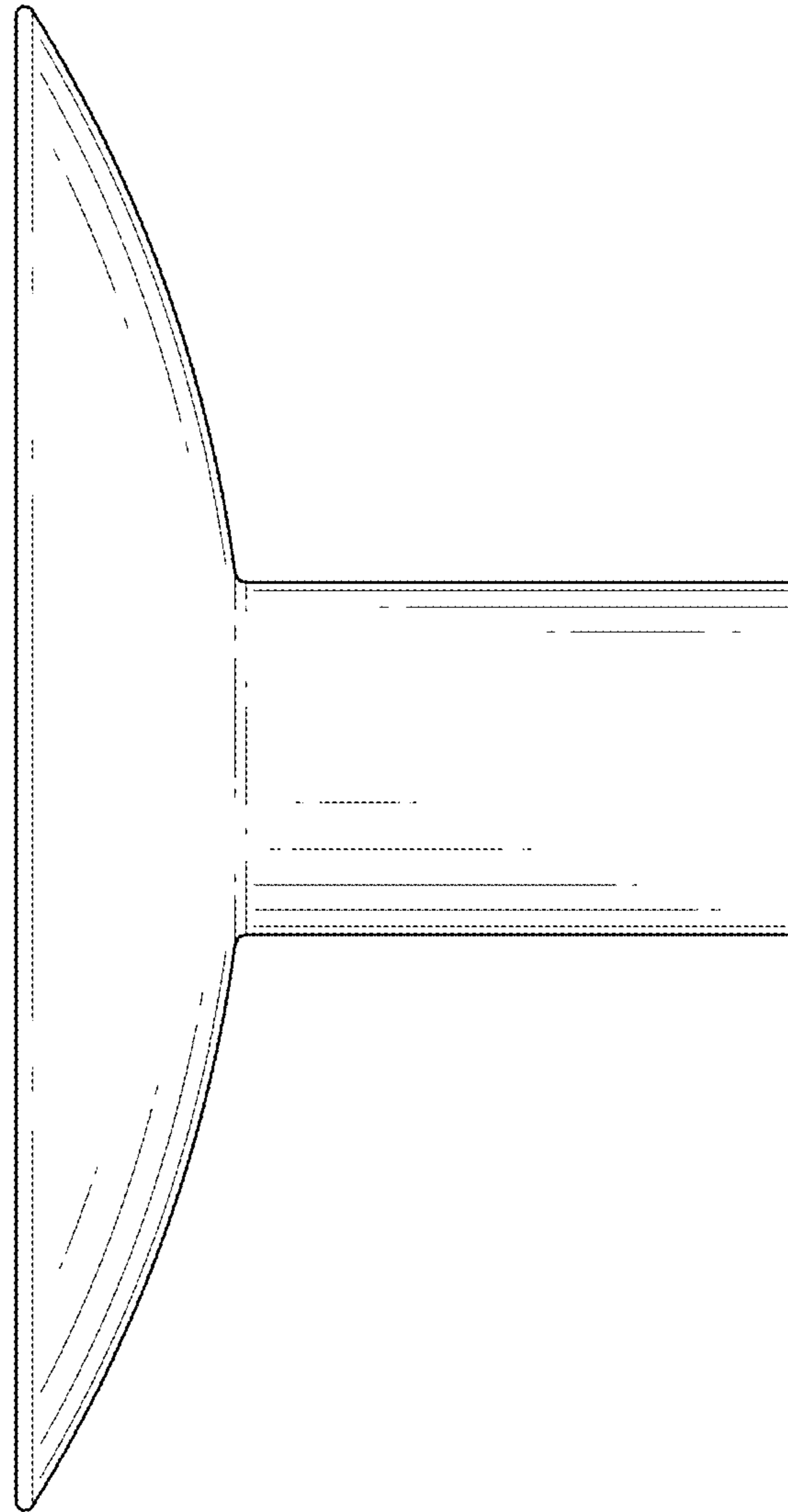


FIG. 37

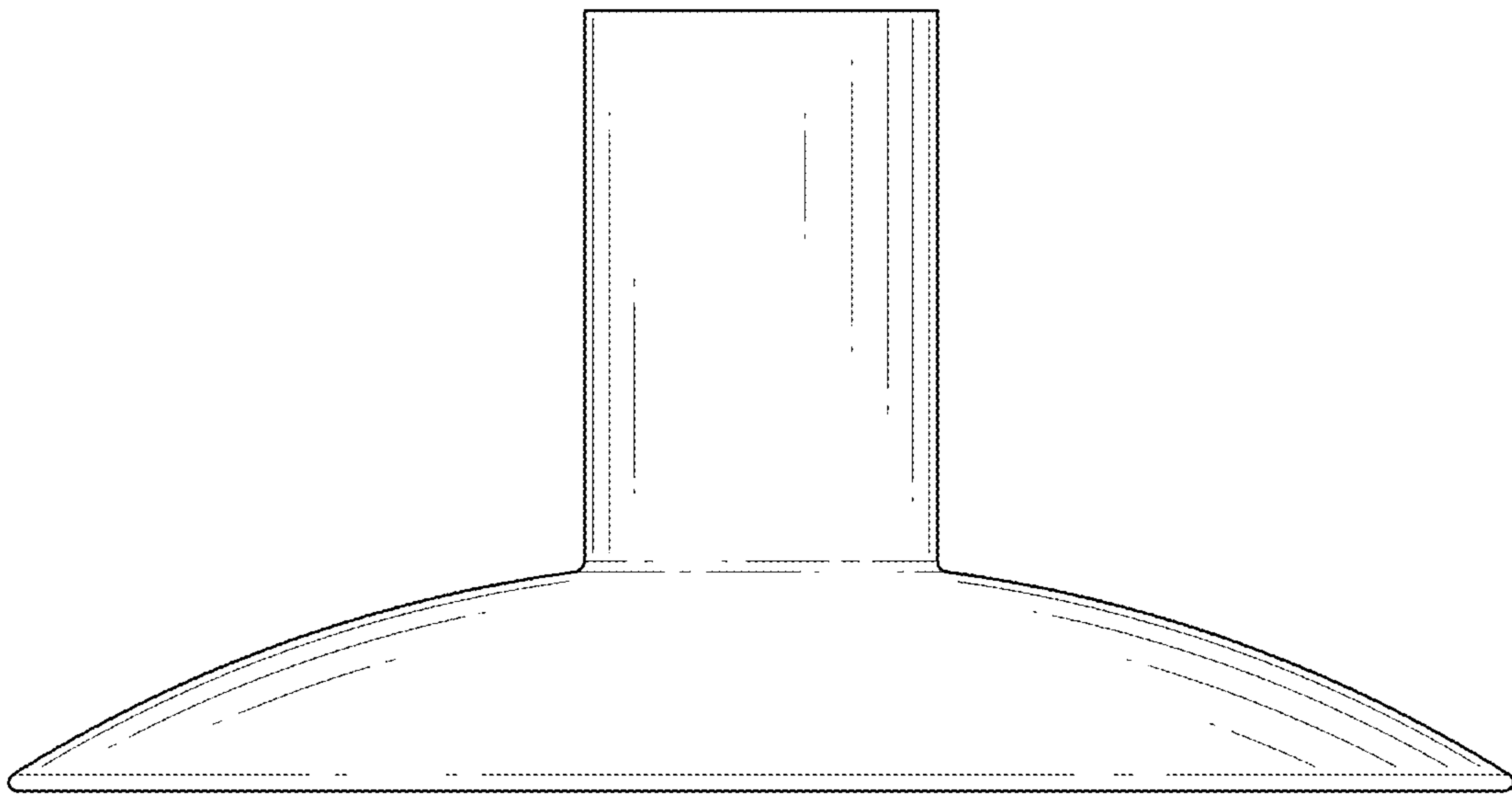


FIG. 38

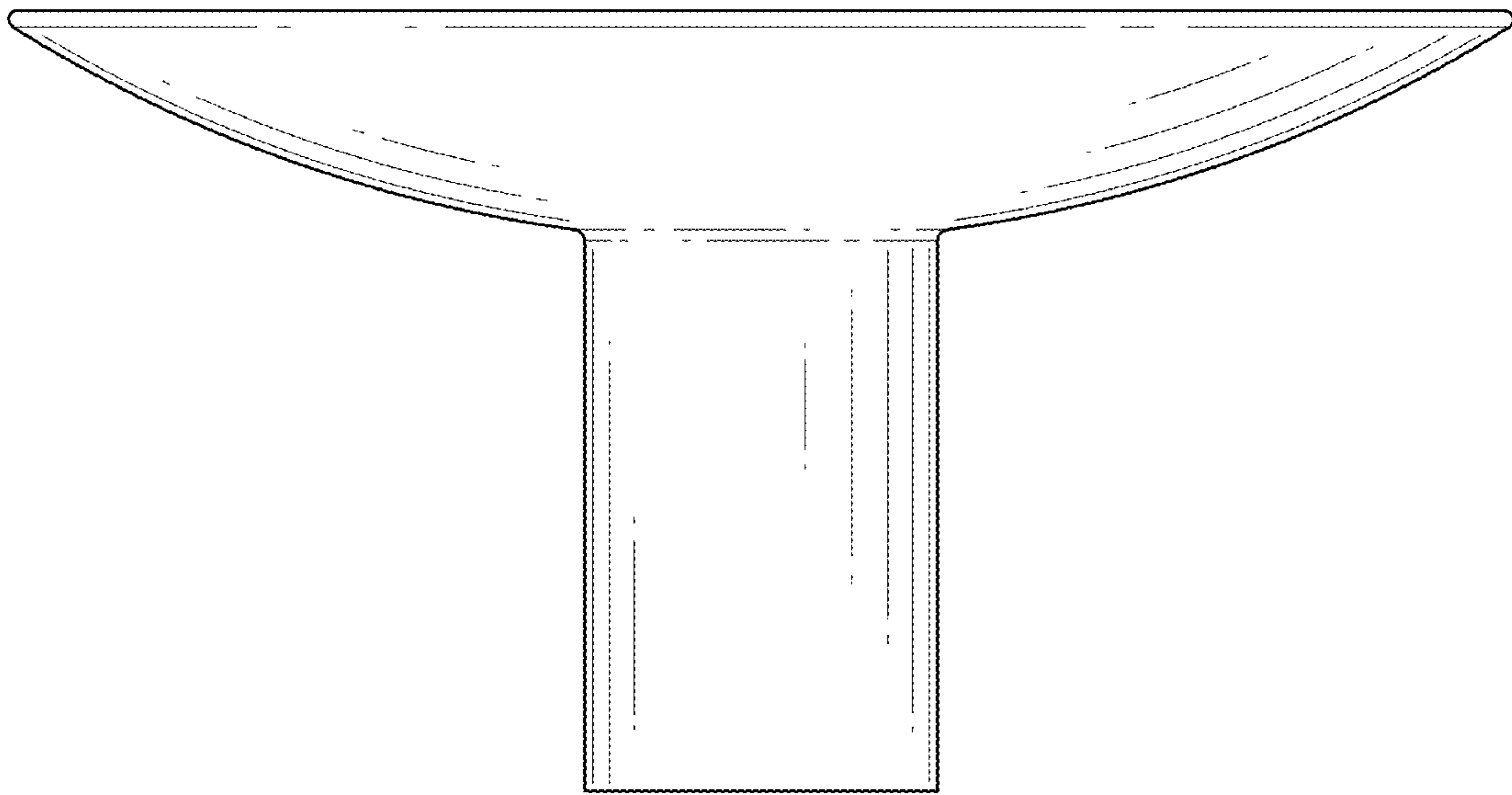


FIG. 39

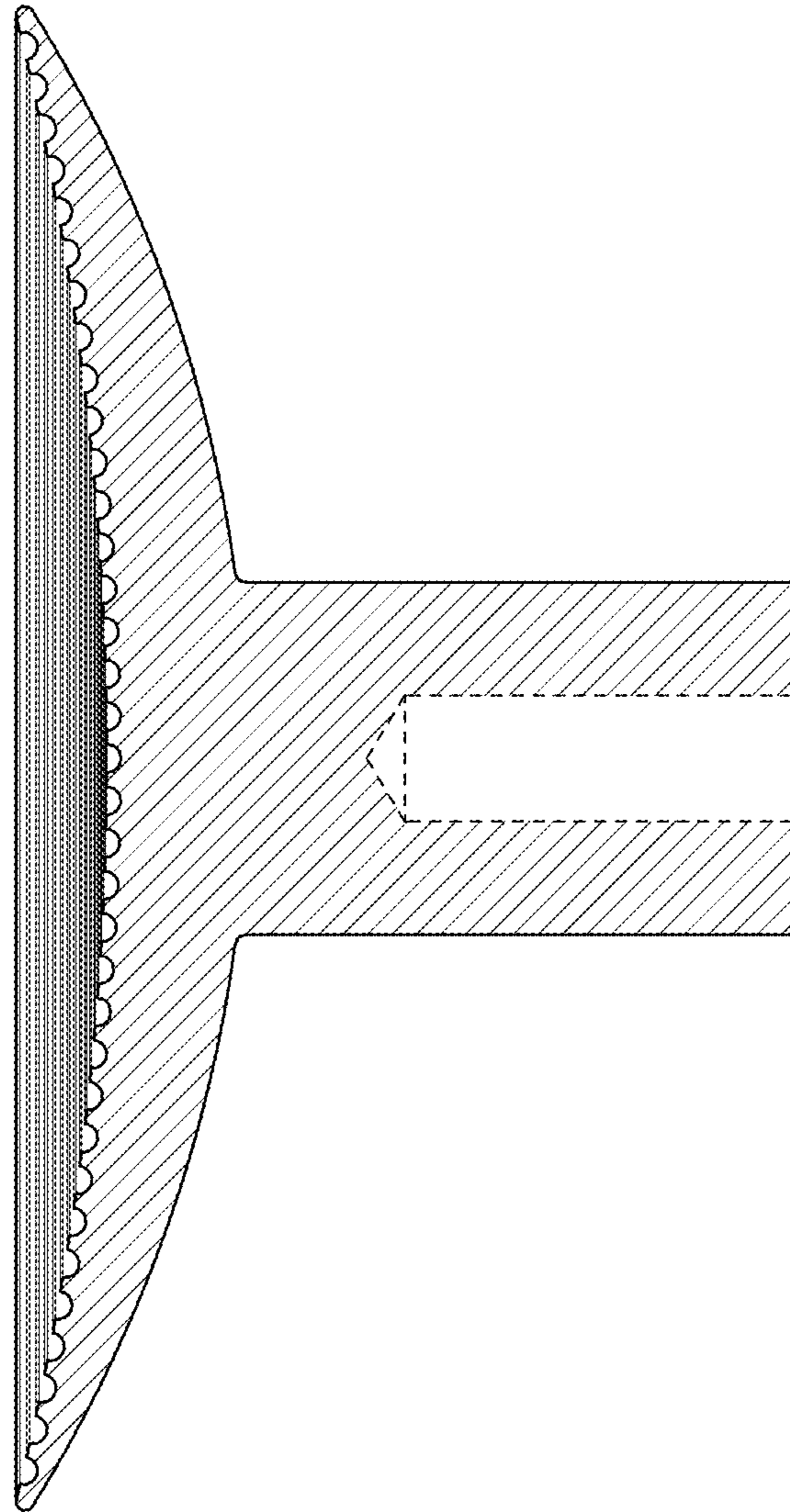


FIG. 40