



US00D981202S

(12) **United States Design Patent**
Xiaomeng

(10) **Patent No.:** **US D981,202 S**
(45) **Date of Patent:** **** Mar. 21, 2023**

(54) **RECESSED RING HANDLE**
(71) Applicant: **QINGDAO HONGMAI MACHINERY CO., LTD.**, Qingdao (CN)

2,497,624 A * 2/1950 Nelson E05C 1/145
292/DIG. 31
2,605,719 A * 8/1952 Smith B61D 45/001
410/112
D179,612 S * 1/1957 Rinke D8/DIG. 1
D193,768 S * 10/1962 Hazenberg D8/DIG. 1

(Continued)

(72) Inventor: **Tao Xiaomeng**, Pingdu (CN)

(**) Term: **15 Years**

(21) Appl. No.: **29/865,635**

(22) Filed: **Aug. 4, 2022**

(30) **Foreign Application Priority Data**

Jun. 23, 2022 (CN) 202230390318.0

(51) **LOC (14) Cl.** **08-06**

(52) **U.S. Cl.**
USPC **D8/306**; D8/367; D8/321

(58) **Field of Classification Search**
USPC D8/300, 301, 306, 310, 315–321, 303,
D8/107, 94, 367, DIG. 1, 354; D12/406,
D12/420, 162, 223
CPC B23B 31/1179; Y10T 279/17957; Y10T
16/4644; Y10T 16/513; B25G 1/10;
B25G 1/00; A47B 95/02; B60P 7/0807;
B61D 45/00; B61D 45/001
See application file for complete search history.

(56) **References Cited**

U.S. PATENT DOCUMENTS

D5,697 S * 3/1872 Fogelstrand D8/DIG. 1
D7,454 S * 5/1874 Girard D8/DIG. 1
339,587 A * 4/1886 Rush A47B 95/02
16/419
2,402,348 A * 6/1946 Schroeder E05B 85/22
70/216
D151,689 S * 11/1948 Gane D8/305

OTHER PUBLICATIONS

6-pack—Recessed Pan D-ring Trailer Tie Downs (6,000 Lb. Capacity) and Heavy Backer Plates, Including Mounting Hardware (Complete Set: 24 Carriage Bolts, Washers and Nylon Lock Nuts); Farm Tough Tools; Amazon.com; Sep. 4, 2015; Accessed Nov. 2, 2022; URL:<<https://www.amazon.com/dp/B014VPXQDW/>> (Year: 2015).*

(Continued)

Primary Examiner — Rachel A. Voorhies
Assistant Examiner — Benjamin D. Wannemacher

(57) **CLAIM**

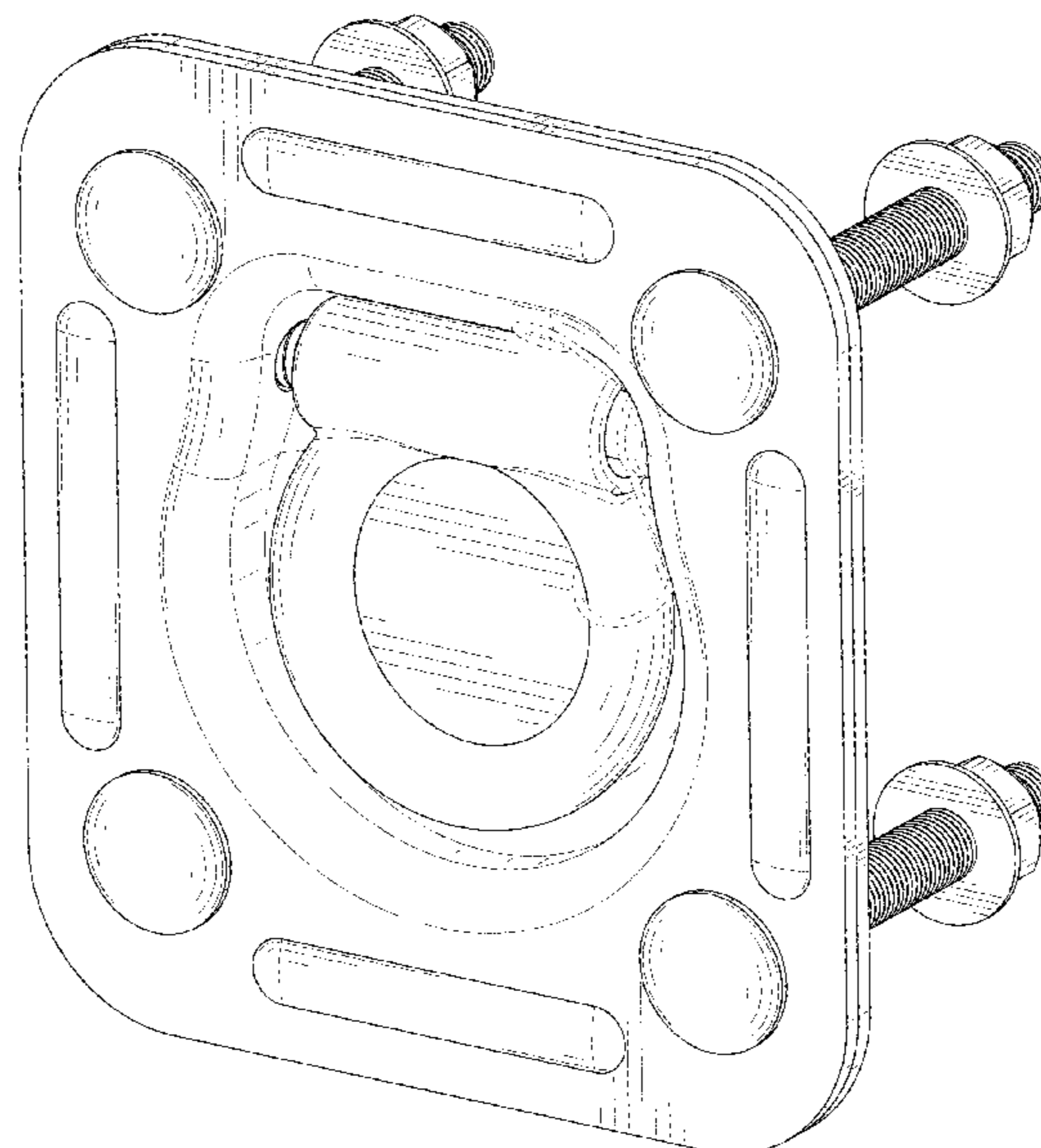
The ornamental design for a recessed ring handle, as shown and described.

DESCRIPTION

FIG. 1 is a perspective view of a recessed ring handle showing my new design;
FIG. 2 is another perspective view thereof;
FIG. 3 is a front view thereof;
FIG. 4 is a rear view thereof;
FIG. 5 is a left side view thereof;
FIG. 6 is a right side view thereof;
FIG. 7 is a top view thereof;
FIG. 8 is a bottom view thereof;
FIG. 9 is is an enlarged view of the portion circled and labeled 9 in FIG. 2; and,
FIG. 10 is is an enlarged view of the portion circled and labeled 10 in FIG. 2.

The broken lines depict portions of the recessed ring handle that form no part of the claimed design. The broken lines encircling portions of the claimed design that are illustrated in the enlargements form no part of the claimed design.

1 Claim, 10 Drawing Sheets



(56)

References Cited

U.S. PATENT DOCUMENTS

D214,156 S * 5/1969 Aigner D6/546
 D214,778 S * 7/1969 Solie D8/306
 D225,717 S * 1/1973 Watt D8/306
 D243,655 S * 3/1977 Matousek D8/354
 D256,864 S * 9/1980 Nippel D6/549
 4,907,921 A * 3/1990 Akright B61D 45/001
 410/111
 5,052,869 A * 10/1991 Hansen, II B60P 7/0807
 410/101
 D389,393 S * 1/1998 Hansen D8/354
 D407,298 S * 3/1999 Hemphill A47B 95/02
 D8/354
 D419,051 S * 1/2000 Heithe D8/354
 6,032,993 A * 3/2000 Kwon B66C 1/66
 294/215
 6,065,917 A * 5/2000 Shambeau B60P 7/0807
 410/112
 6,138,975 A * 10/2000 McDaid B61D 45/001
 248/499
 6,213,696 B1 * 4/2001 Austin B61D 45/001
 410/101
 D446,442 S * 8/2001 Simpson B61D 45/001
 D8/354
 D448,269 S * 9/2001 Willems B60P 7/0807
 410/101
 D457,803 S * 5/2002 Weinerman B66C 1/66
 D8/338
 6,918,721 B2 * 7/2005 Venton-Walters B60P 7/0807
 410/102
 D520,343 S * 5/2006 Powell D8/349
 D523,726 S * 6/2006 Weinerman F16B 45/00
 D8/307
 7,134,819 B2 * 11/2006 Bullock B60P 7/0807
 410/112

7,398,664 B1 * 7/2008 Weinerman E05C 3/042
 292/DIG. 31
 D619,954 S * 7/2010 Le D12/223
 D814,384 S * 4/2018 Richter D8/349
 D853,825 S * 7/2019 Weinerman B60P 7/0807
 D8/354
 D879,591 S * 3/2020 Weinerman E05C 3/042
 D8/354
 D880,280 S * 4/2020 Weinerman B61D 45/001
 D8/354
 D955,201 S 6/2022 Hall
 2004/0113039 A1 * 6/2004 Becker F16B 45/00
 248/499
 2004/0265088 A1 * 12/2004 Borrmann B60P 7/0807
 410/111
 2011/0174026 A1 7/2011 Salvatore et al.

OTHER PUBLICATIONS

Yakamoz 2 Pack Stainless Steel Flush Ring Pull Handle Furniture Cabinet Hidden Recessed Lifting Handles Boat Ring Pulls for Marine Hatch Latch Door (48x38mm); Yakamoz; Amazon.com; Sep. 27, 2021, Accessed Nov. 1, 2022; URL:< <https://www.amazon.com/dp/B09H73X73Y> > (Year: 2019).*

Bestgle 2 Pack Flush Ring Pull, Boat Hatch Pull Flush Lift, Stainless Steel Recessed Pull Handle Marine Yacht Drawer Door Handle; Bestgle; Amazon.com; Apr. 12, 2021; Accessed Nov. 1, 2022; URL:< <https://www.amazon.com/dp/B0928RF76F?th=1> > (Year: 2021).*

Ambull 1/2" D Ring Tie Down Anchors, 2 Pack Trailer Tie Down 12000 lbs Capacity Heavy Duty Trailer Tie Down Hooks for Loads on Trailers Trucks RV Campers Vans ATV SUV Boats Motorcycles Black; Ambull; Amazon.com; Jun. 6, 2022; Accessed Nov. 2, 2022; URL:< <https://www.amazon.com/dp/B0B387ZP4F?th=1> > (Year: 2022).*

U.S. Appl. No. 10/224,262, filed Oct. 2, 2003, Mark Jeffries.

* cited by examiner

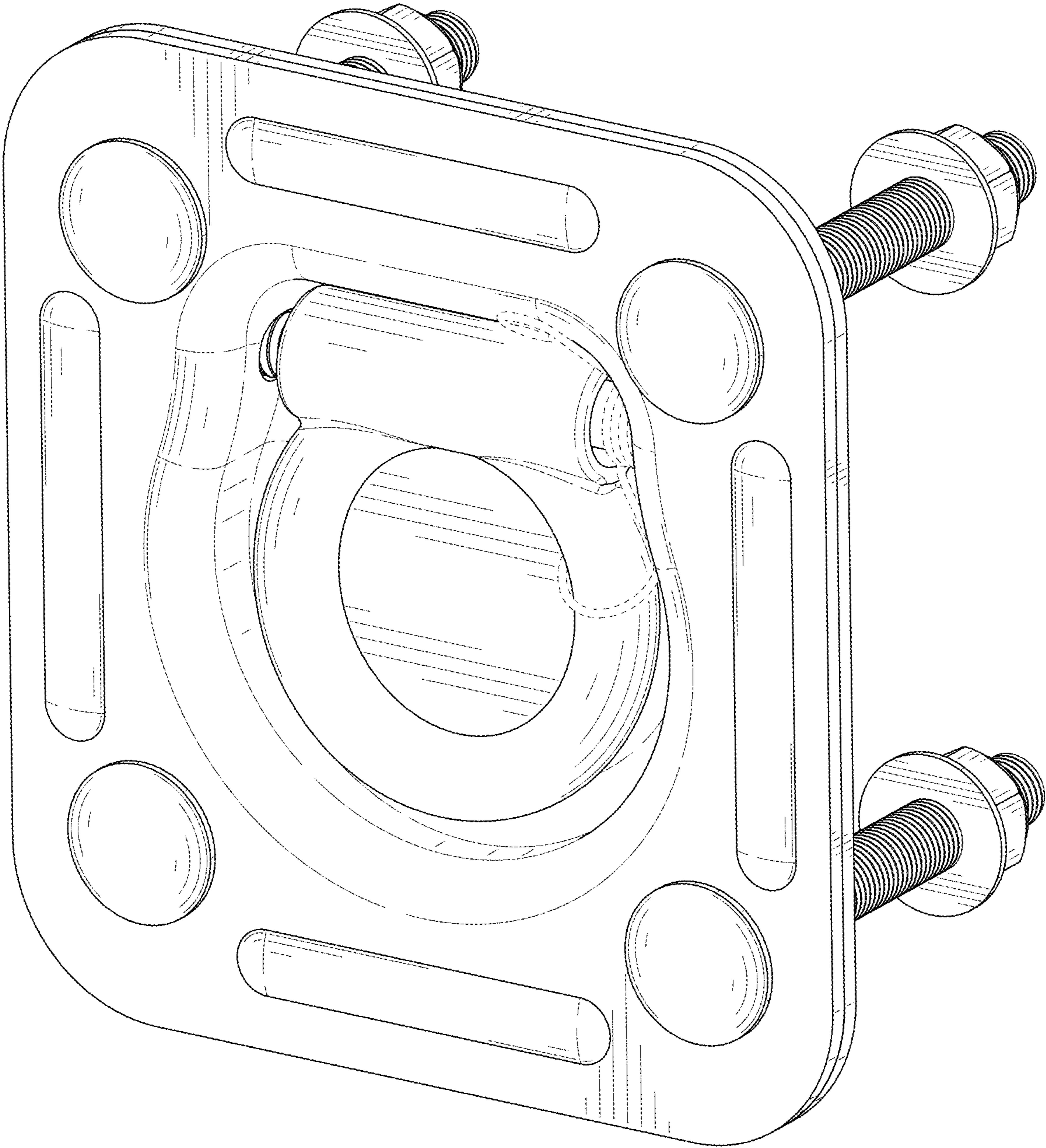


FIG. 1

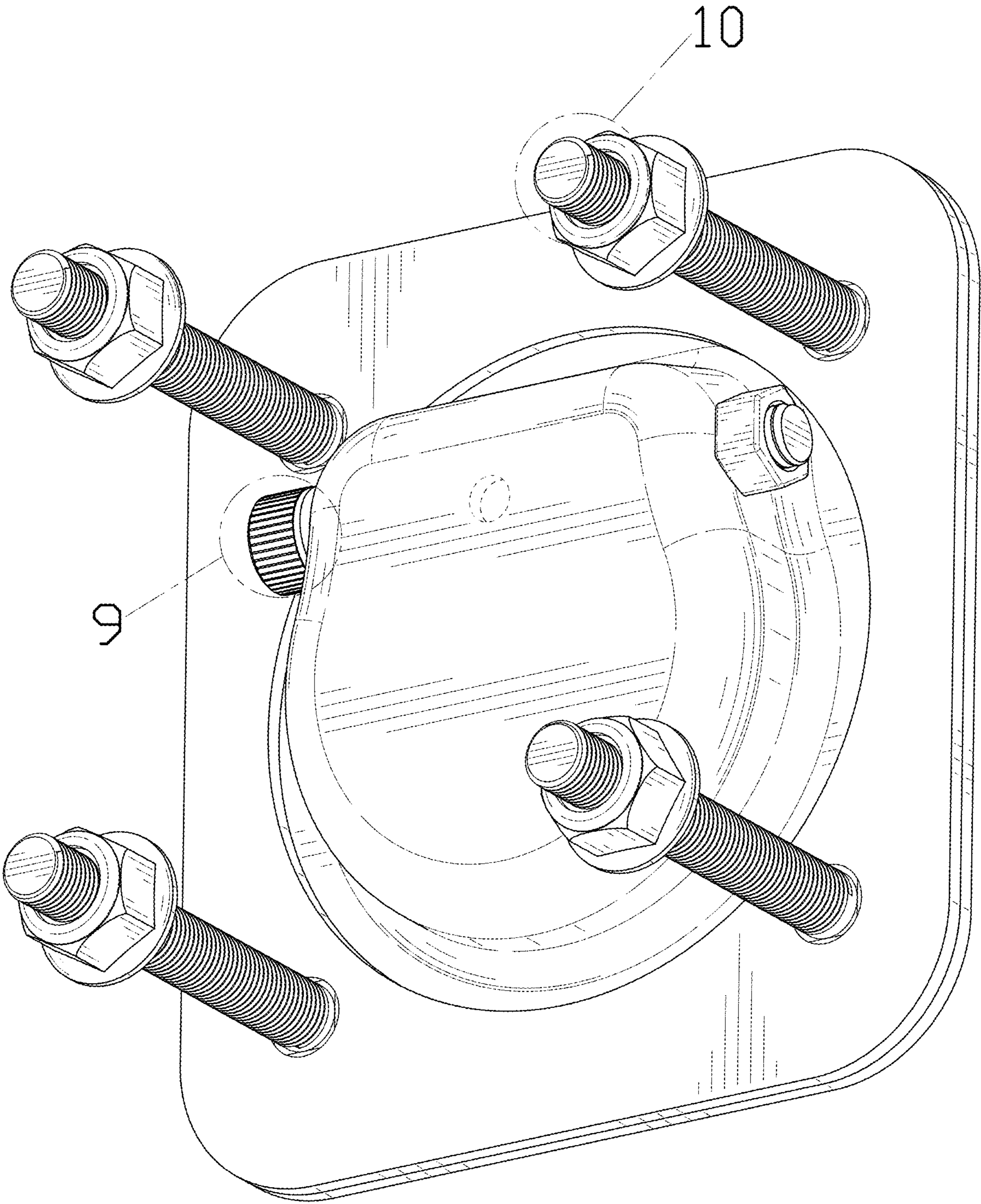


FIG. 2

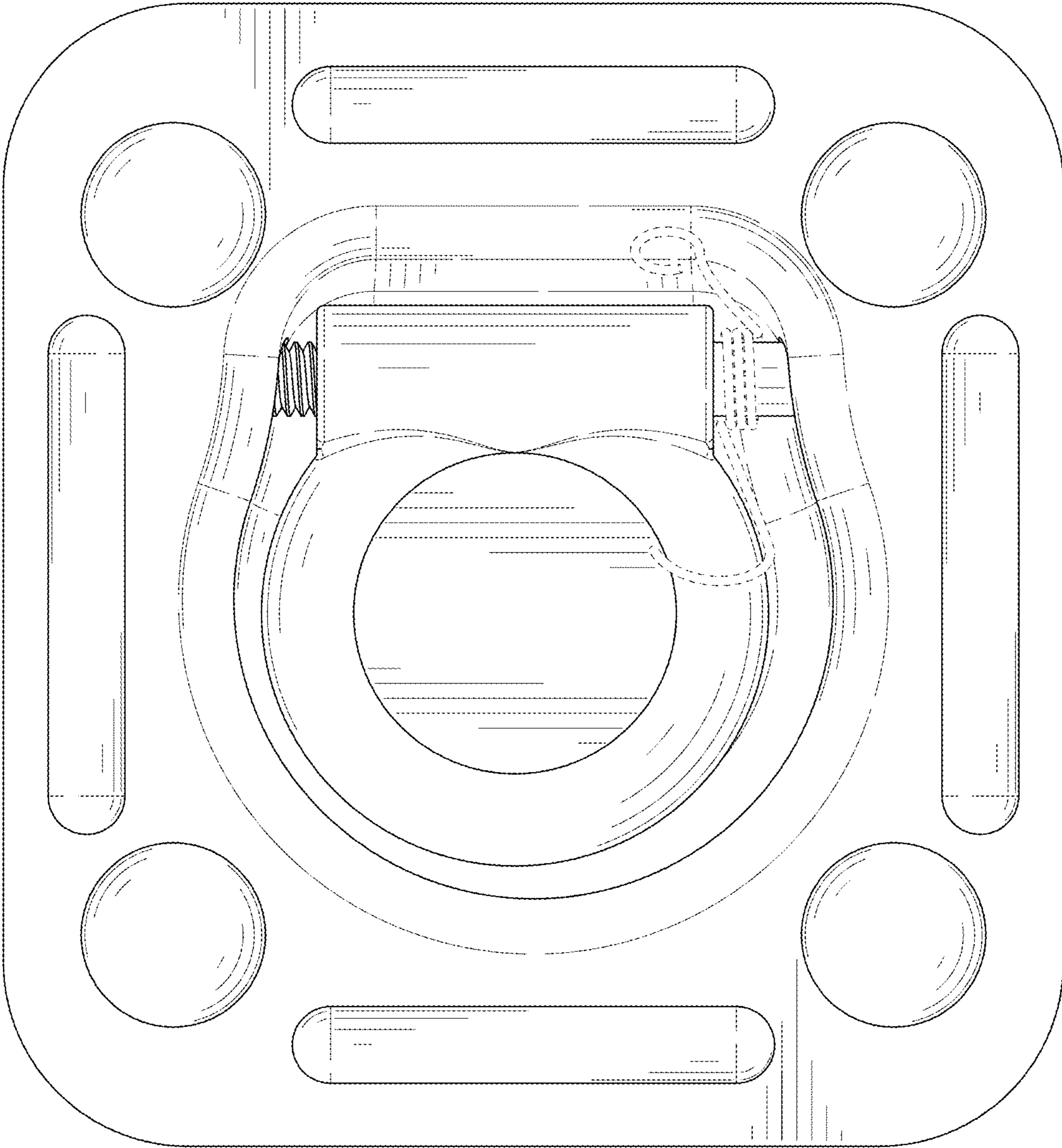


FIG. 3

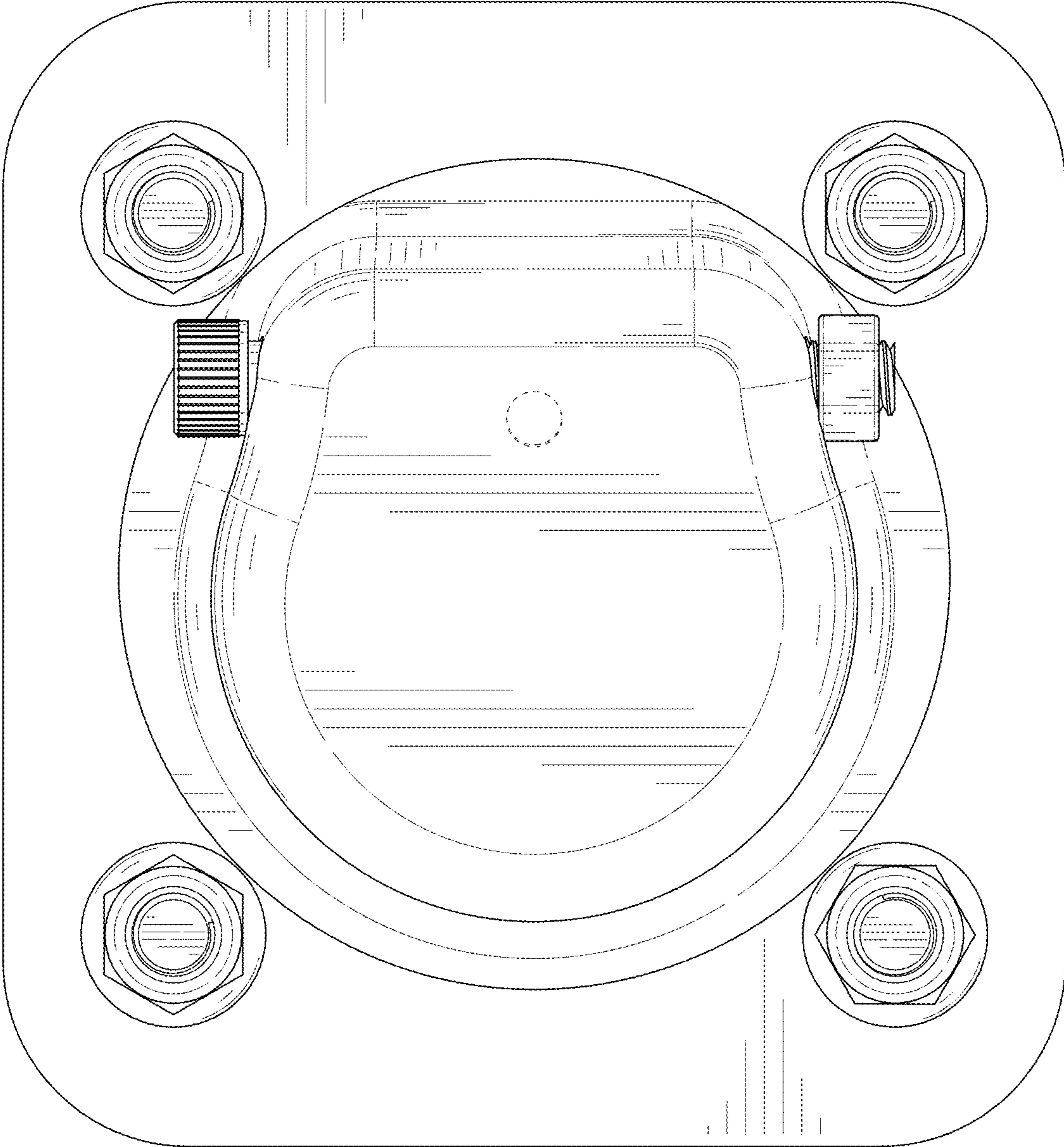


FIG. 4

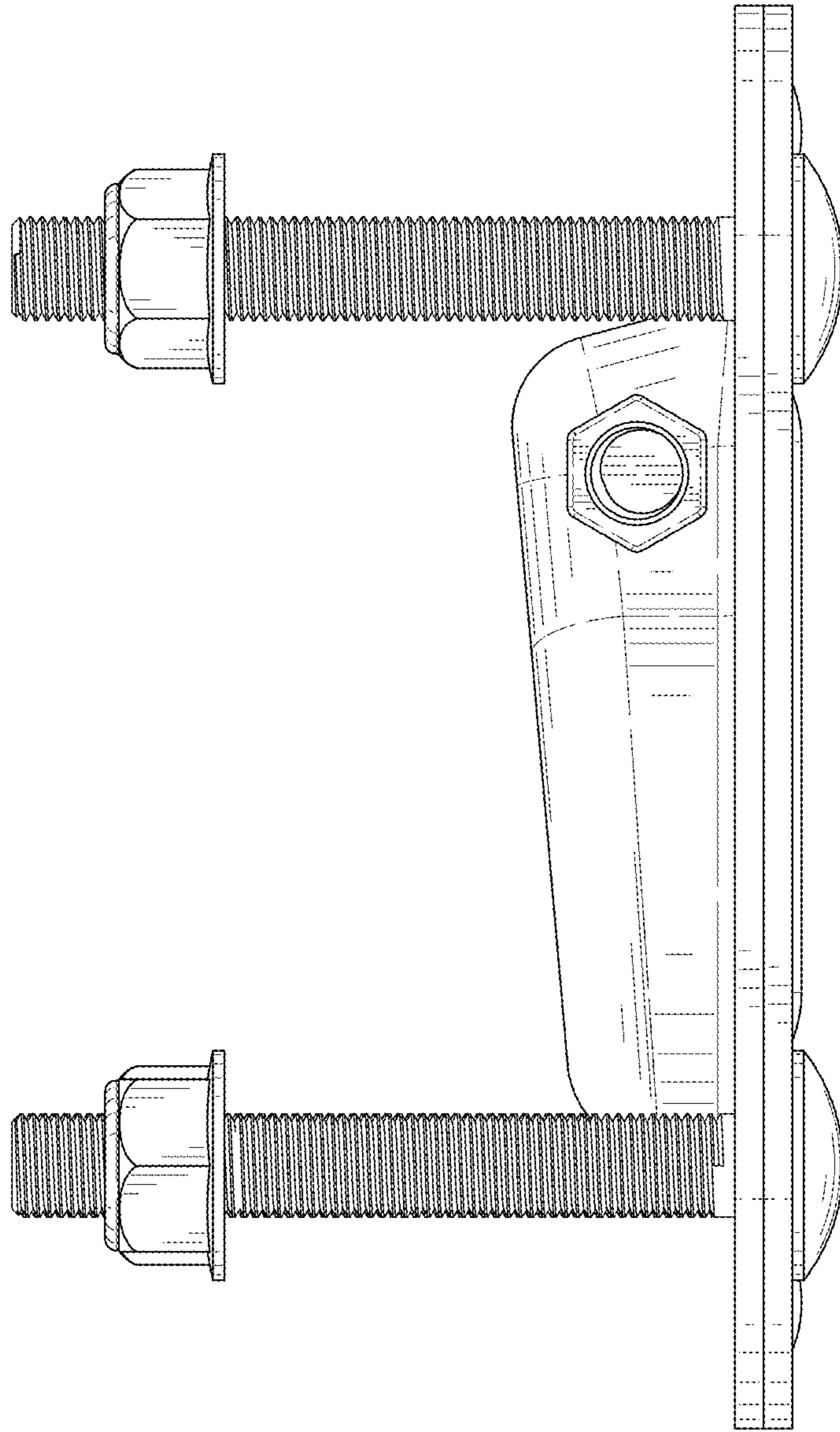


FIG. 5

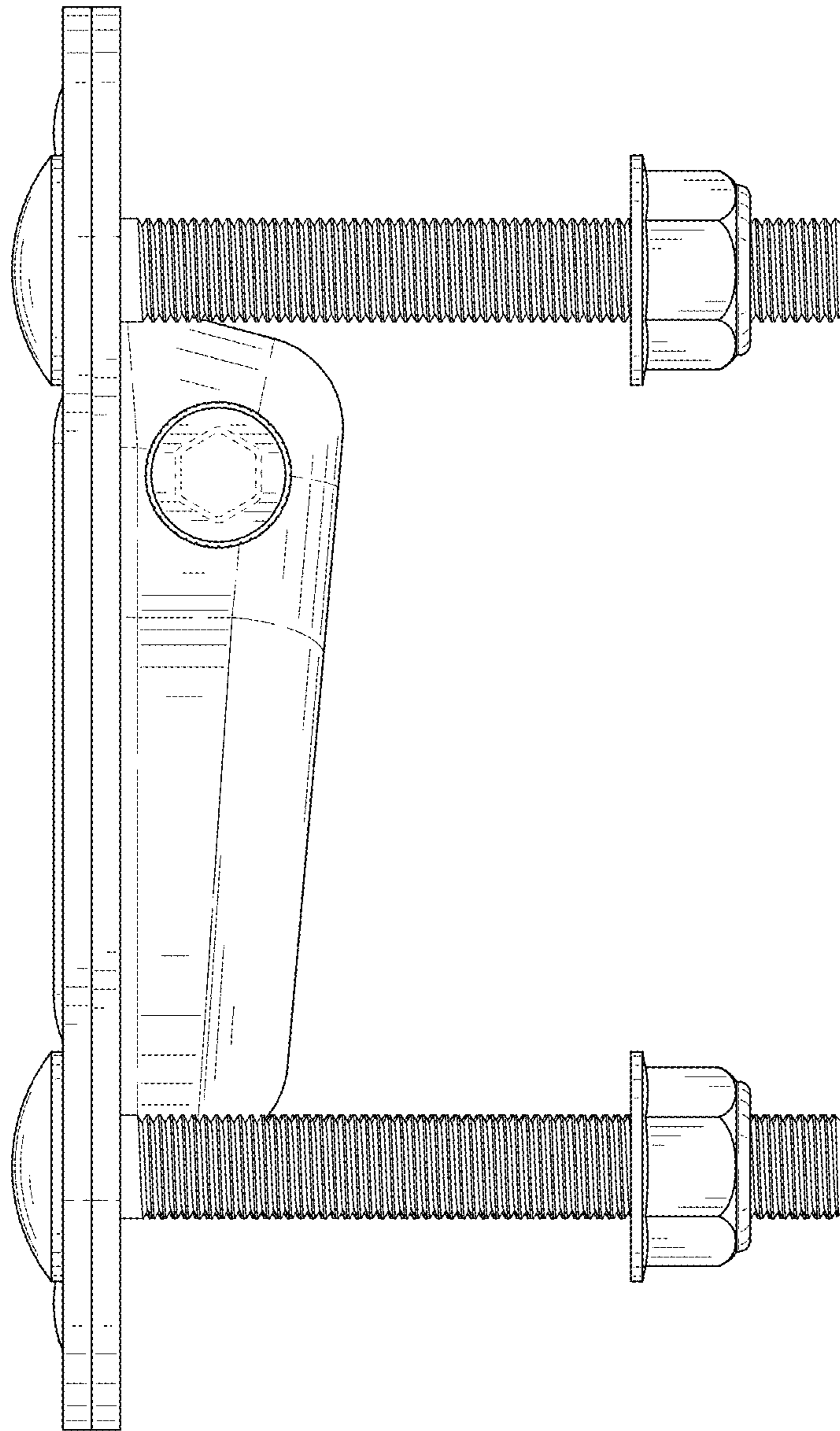


FIG. 6

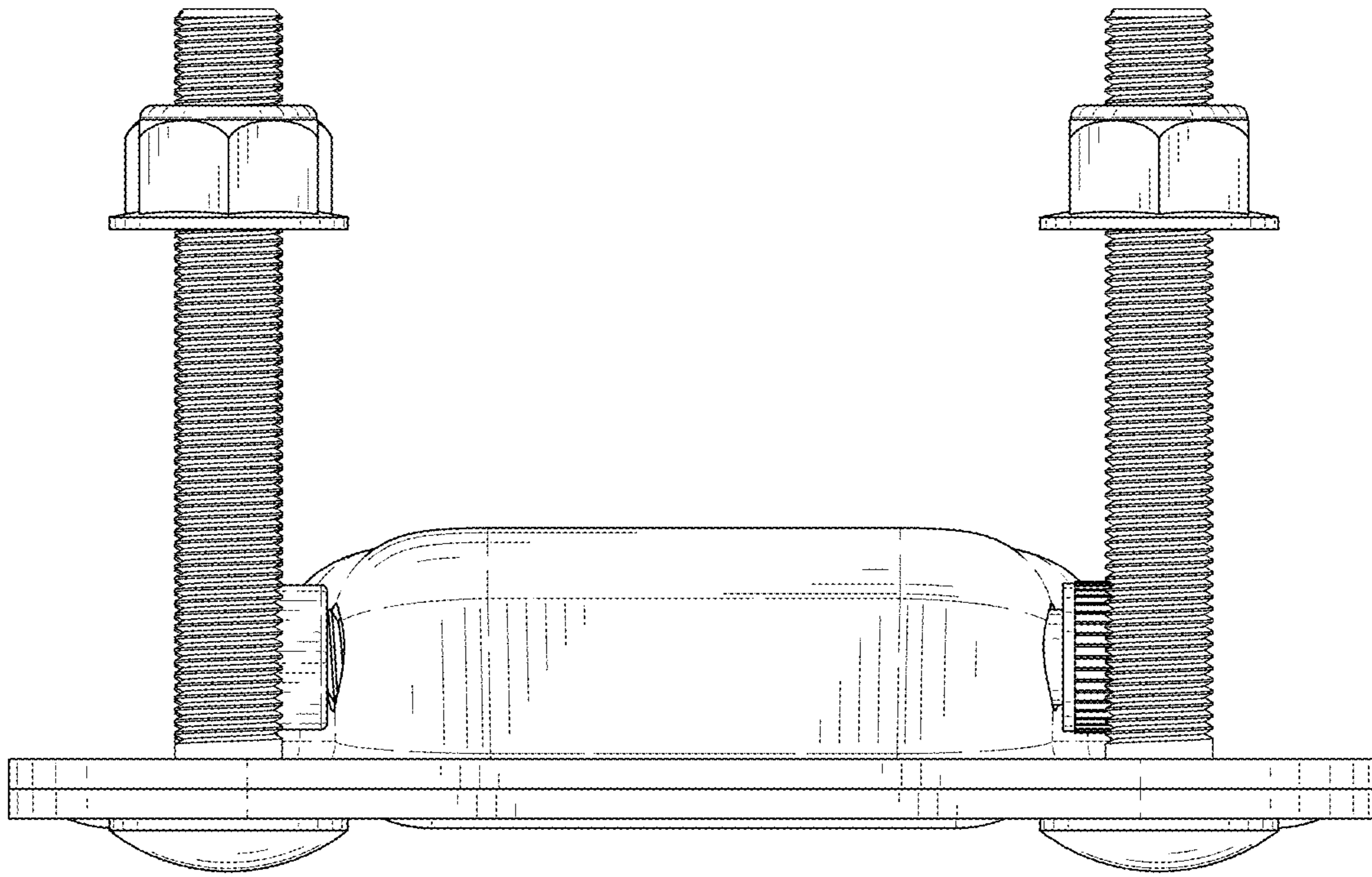


FIG. 7

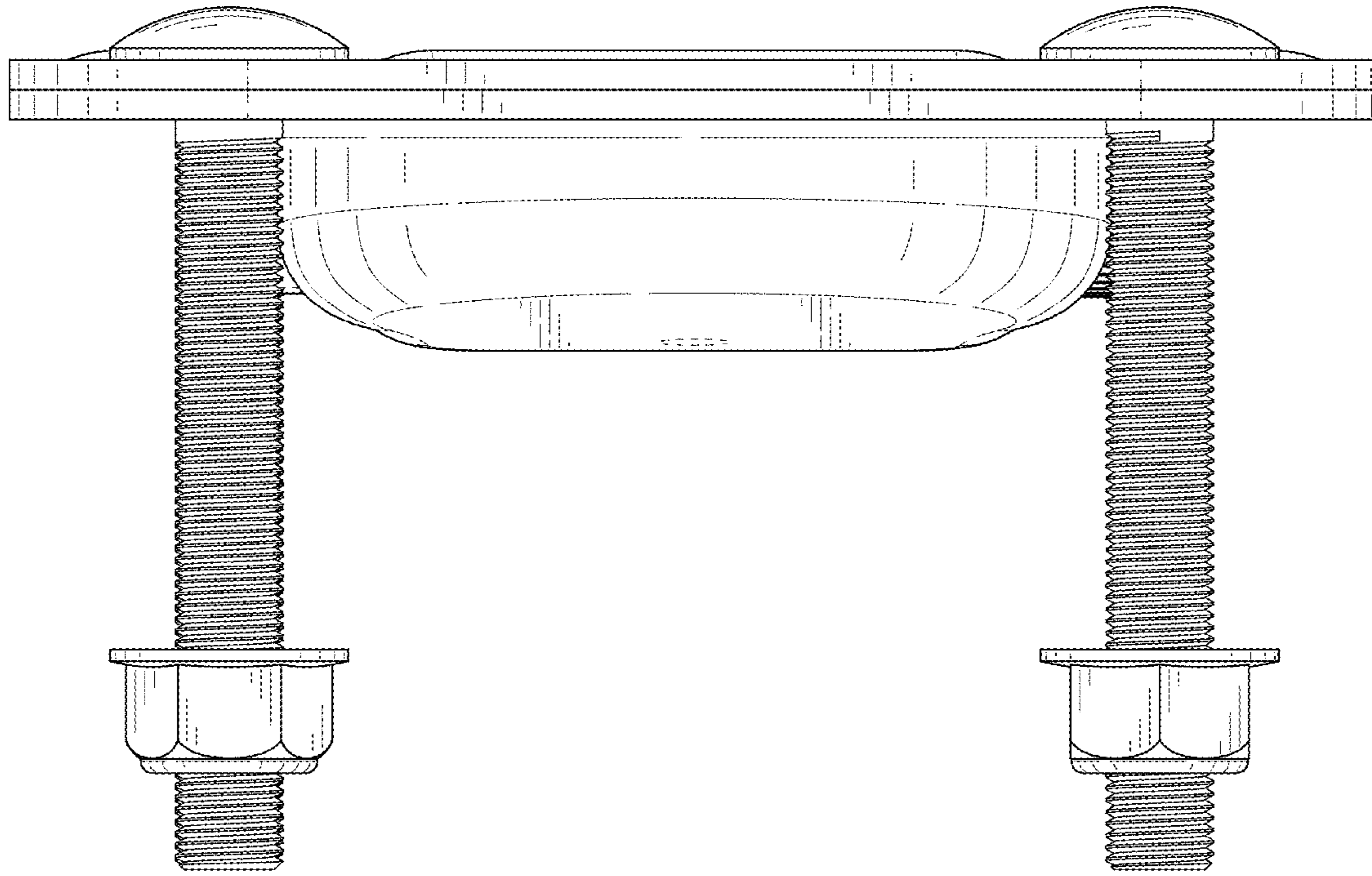


FIG. 8

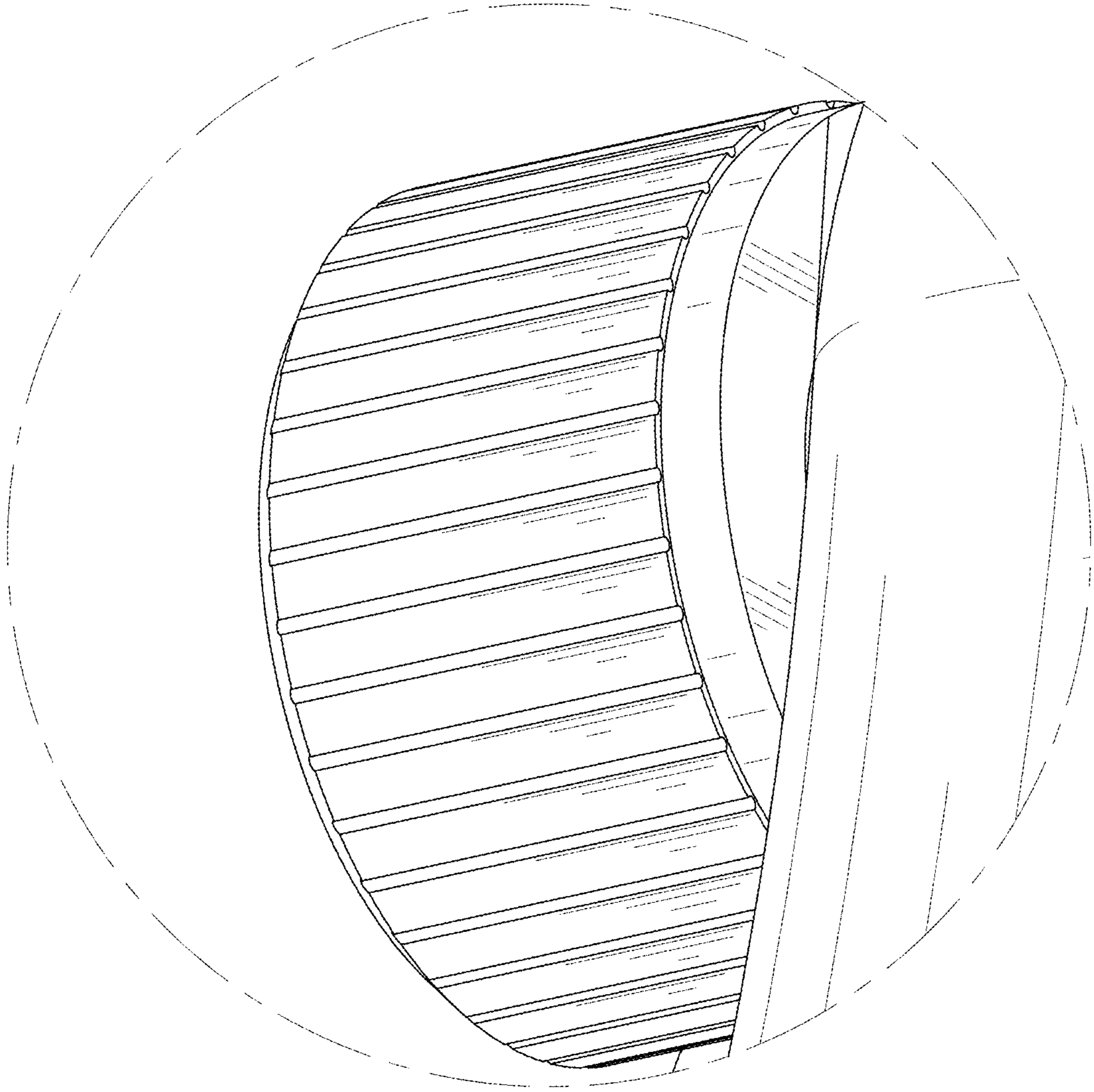


FIG. 9

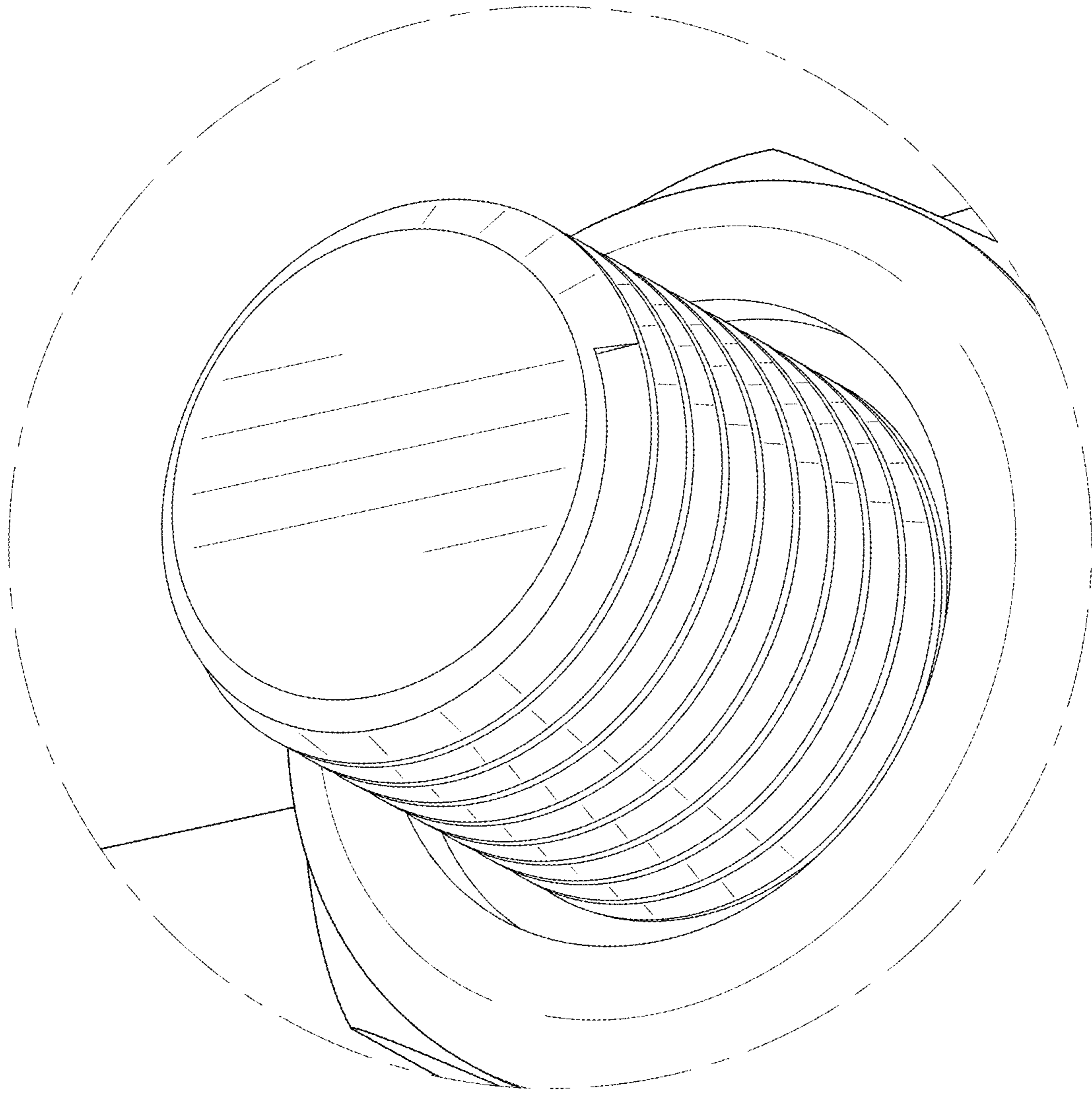


FIG. 10