



US00D981195S

(12) **United States Design Patent**
Zhao et al.

(10) **Patent No.:** **US D981,195 S**
(45) **Date of Patent:** **** Mar. 21, 2023**

- (54) **FILM APPLICATOR TOOL**
- (71) Applicant: **Dongguan Kaizhuo Technology Co., Ltd.**, Dongguan (CN)
- (72) Inventors: **Jin Zhao**, Dongguan (CN); **Wenjun Xu**, Dongguan (CN)
- (**) Term: **15 Years**
- (21) Appl. No.: **29/790,729**
- (22) Filed: **Dec. 13, 2021**
- (30) **Foreign Application Priority Data**
Nov. 30, 2021 (CN) 202130791626.X
- (51) **LOC (14) Cl.** **08-05**
- (52) **U.S. Cl.**
USPC **D8/14**
- (58) **Field of Classification Search**
USPC D8/14, 71, 354; D14/250, 251, 252, 253, D14/440, 432
CPC B26C 65/00; B32B 37/18; B32B 37/0046; B32B 37/003; B32B 38/1841; B29C 63/0004; B29C 2063/0008
See application file for complete search history.

- (56) **References Cited**
U.S. PATENT DOCUMENTS
8,675,353 B1 * 3/2014 Alonzo G06F 1/1628 361/679.01
D738,172 S * 9/2015 Chen D8/14
D749,068 S * 2/2016 Zaborski D14/250
D757,016 S * 5/2016 Liang D14/440
D821,384 S * 6/2018 Jordin B29C 63/0047 D14/250
D904,840 S * 12/2020 Liu D8/14
D908,472 S * 1/2021 Zhang B29C 63/0004 D8/354

- D920,080 S * 5/2021 Hofstrand D8/354
- 11,090,857 B1 * 8/2021 Zhong B29C 63/0004
- D937,834 S * 12/2021 Hyun D14/432
- D945,251 S * 3/2022 Zhang D8/354
- D953,135 S * 5/2022 Yu D8/14
- 11,318,728 B1 * 5/2022 Zhang B32B 37/1292
- D954,064 S * 6/2022 Li D14/440
- D963,444 S * 9/2022 Zhou D8/14
- D964,828 S * 9/2022 Zhou B32B 37/1292 D8/14
- D964,829 S * 9/2022 Zhou D8/14
- 2018/0282038 A1 * 10/2018 Lin B65D 65/40
- 2020/0094467 A1 * 3/2020 Cho B29C 63/0004
- 2021/0213672 A1 * 7/2021 Chou B29C 63/0047

* cited by examiner

Primary Examiner — Philip S Hyder
(74) *Attorney, Agent, or Firm* — Jeenam Park

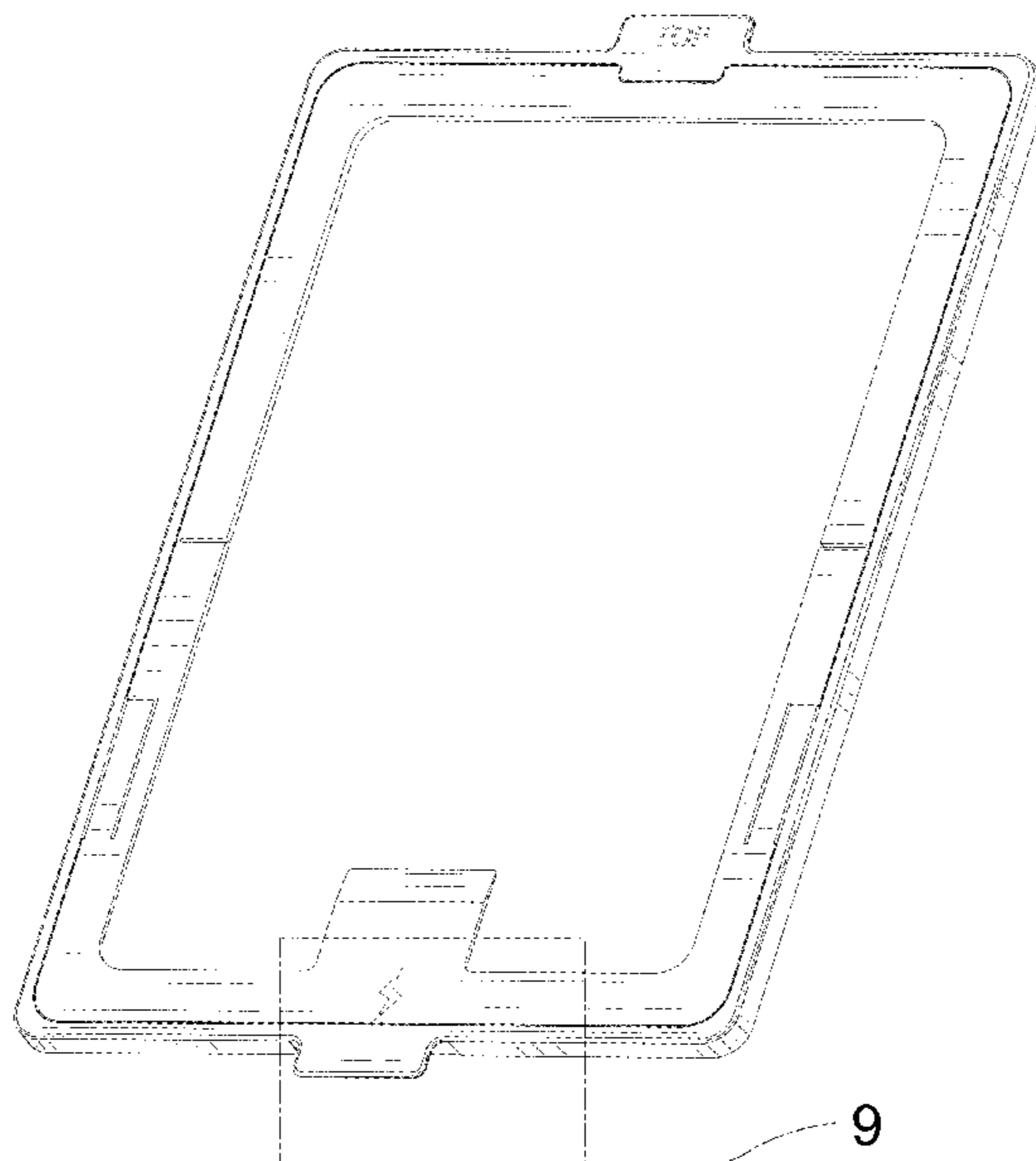
(57) **CLAIM**

The ornamental design for a film applicator tool, as shown and described.

DESCRIPTION

FIG. 1 is a perspective view of a film applicator tool, showing my new design;
 FIG. 2 is another perspective view thereof;
 FIG. 3 is a front view thereof;
 FIG. 4 is a rear view thereof;
 FIG. 5 is a left side view thereof;
 FIG. 6 is a right side view thereof;
 FIG. 7 is a top plan view thereof;
 FIG. 8 is a bottom plan view thereof;
 FIG. 9 is an enlargement view of FIG. 1; and,
 FIG. 10 is an enlargement view of FIG. 2.
 The broken lines of even length depict portions of the film applicator tool in which the design is embodied that form no part of the claimed design. The dot-dash broken lines identify the boundaries of the enlarged areas.

1 Claim, 10 Drawing Sheets



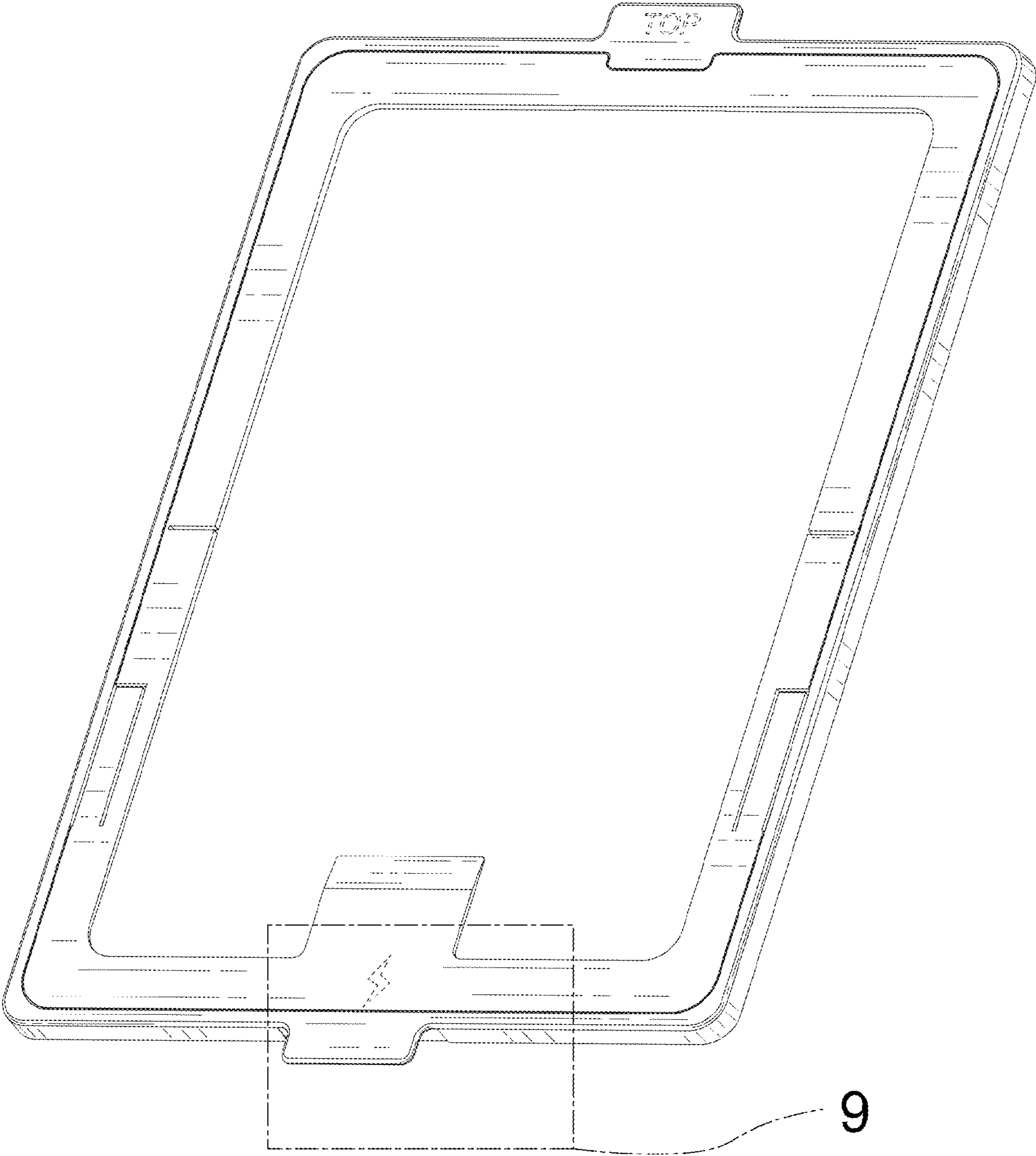


FIG. 1

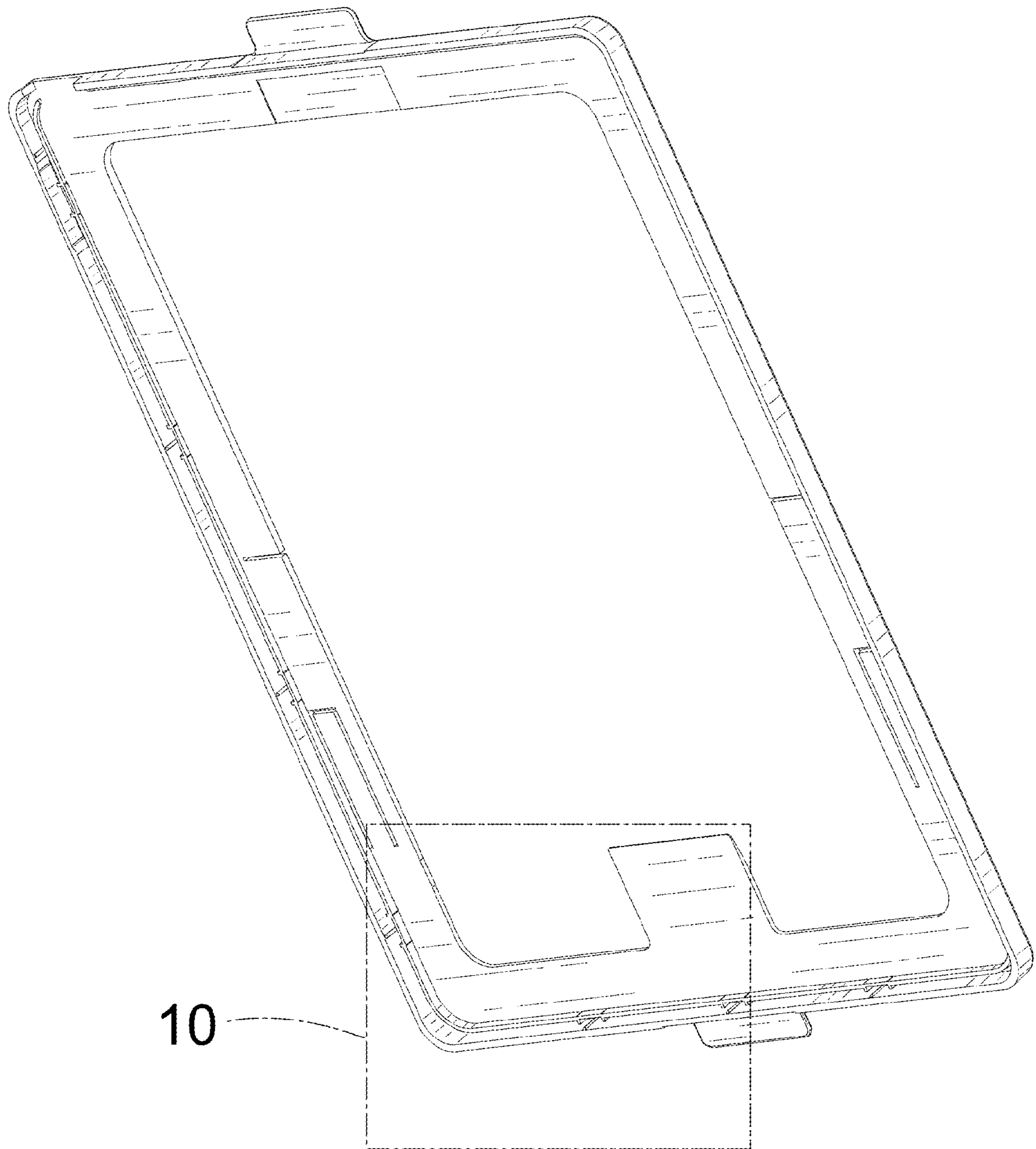


FIG. 2

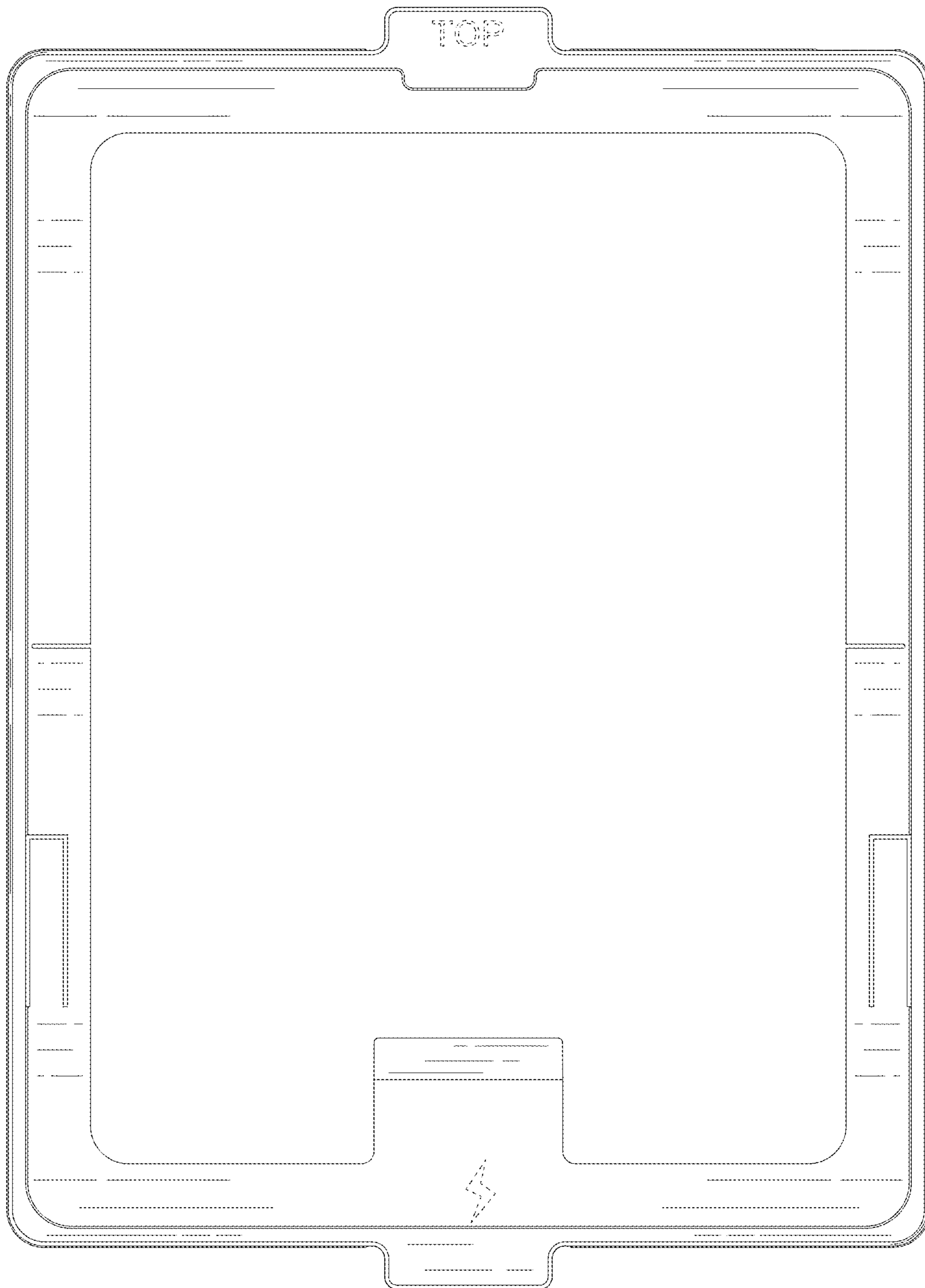


FIG. 3

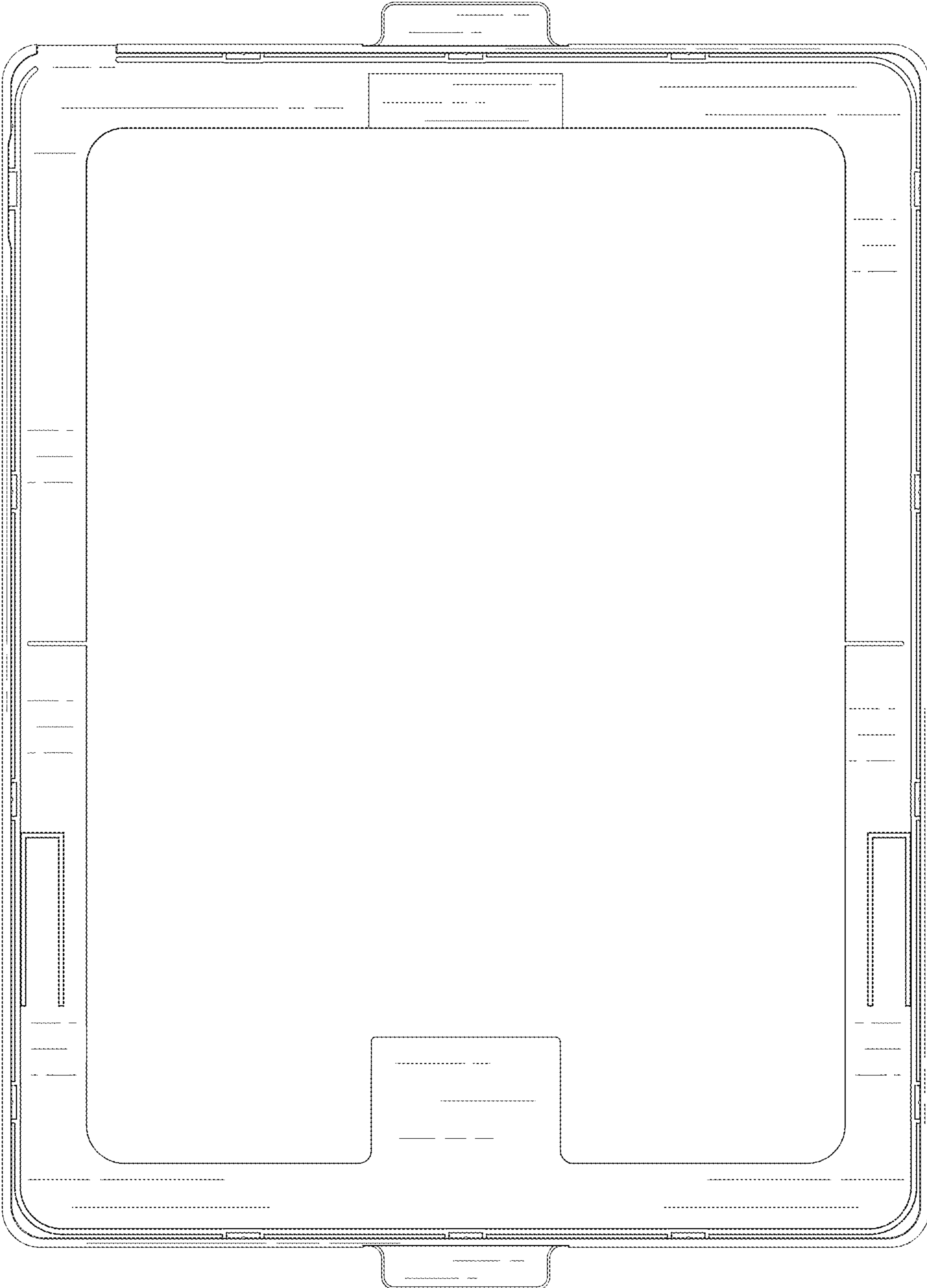


FIG. 4



FIG. 5



FIG. 6

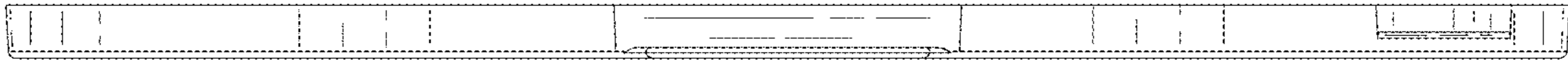


FIG. 7

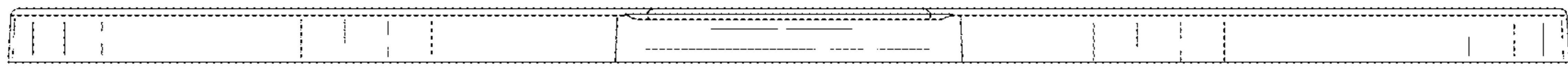


FIG. 8

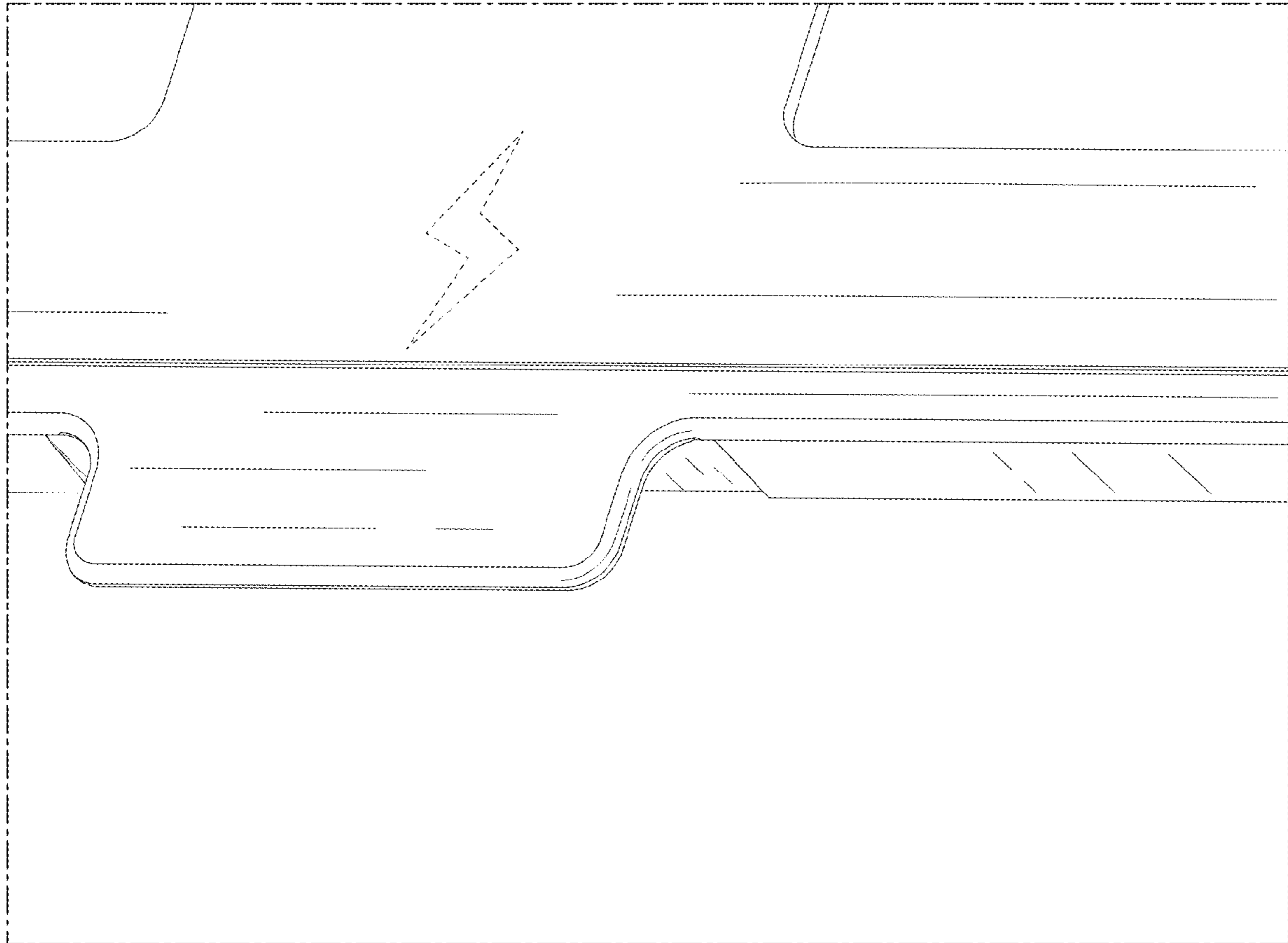


FIG. 9

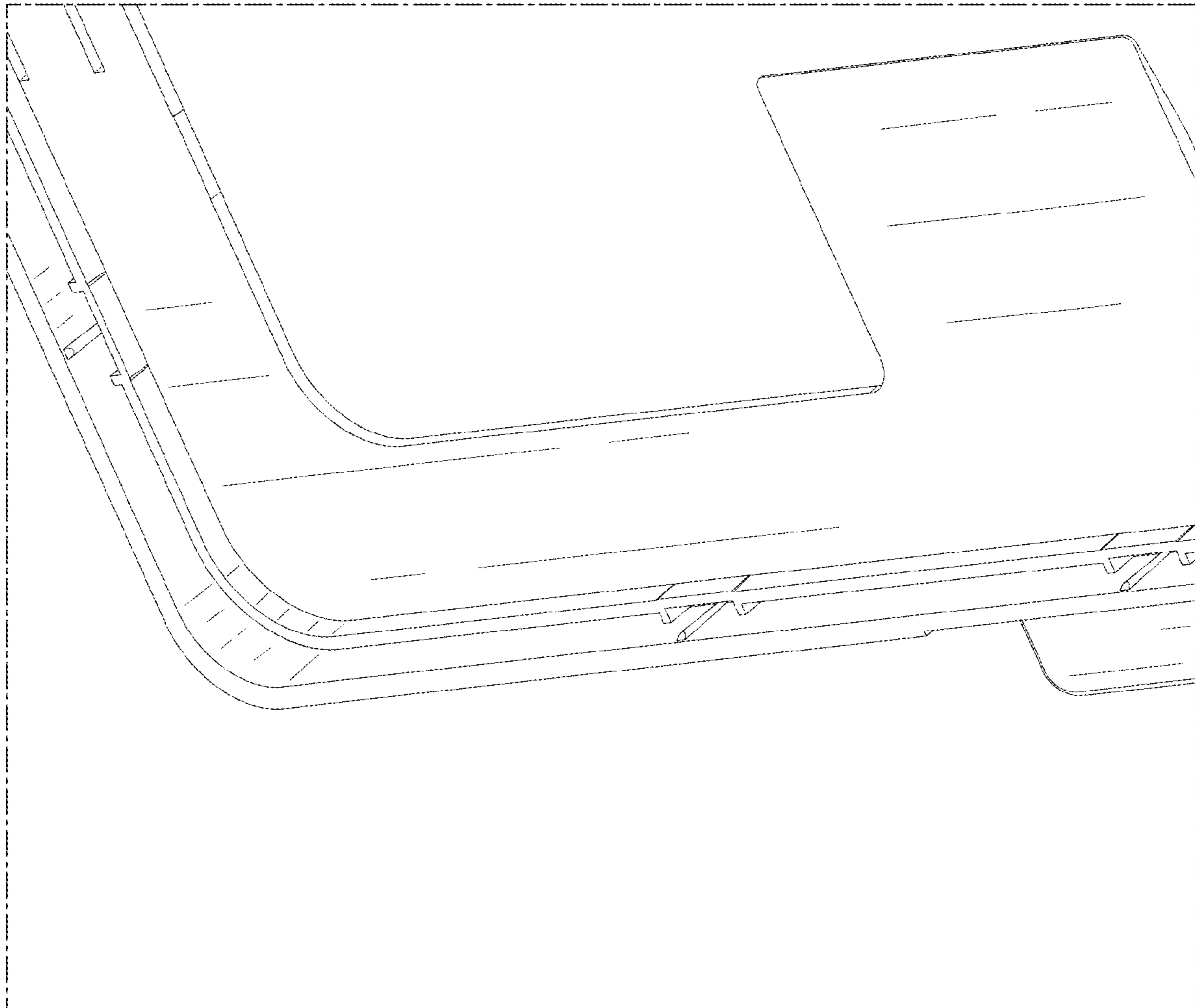


FIG. 10