



US00D981193S

(12) **United States Design Patent**
Lee

(10) **Patent No.:** **US D981,193 S**
(45) **Date of Patent:** **** Mar. 21, 2023**

(54) **PLANT BENDER**

(71) Applicant: **Justponics LLC**, Irvine, CA (US)
(72) Inventor: **Daniel Jewon Lee**, Irvine, CA (US)
(73) Assignee: **Justponics LLC**, Irvine, CA (US)
(*) Notice: Patent file contains an affidavit/declaration under 37 CFR 1.130(b).

(**) Term: **15 Years**

(21) Appl. No.: **29/774,046**

(22) Filed: **Mar. 12, 2021**

(51) **LOC (14) Cl.** **08-01**

(52) **U.S. Cl.**
USPC **D8/1**

(58) **Field of Classification Search**

USPC D15/28; D8/1, 354, 356, 394
CPC A01G 9/12; A01G 9/124; A01G 9/128;
A01G 17/04; A01G 17/10; A01G 17/08
See application file for complete search history.

(56) **References Cited**

U.S. PATENT DOCUMENTS

11,129,340 B1 * 9/2021 Pena A01G 17/10
2016/0069021 A1 * 3/2016 Birve B27N 1/029
162/255
2016/0345511 A1 * 12/2016 Akana A01G 9/12
2017/0261019 A1 * 9/2017 Johnson F16B 2/241
2018/0249643 A1 * 9/2018 Akana A01G 9/128
2022/0039330 A1 * 2/2022 Pena A01G 9/128

FOREIGN PATENT DOCUMENTS

FR 2873262 A1 * 1/2006 A01G 9/12

OTHER PUBLICATIONS

Amazon, "HMG 90 Degree Plant Bender (35 Pack) for Low Stress Training (LST) and Plant Training" <<https://www.amazon.com/Degree-Plant-Bender-Stress-Training/dp/B08J9P1T9K/>>, Sep. 15, 2020.

Etsy, "90 Degree Plant Bender (35 Pack) for Low Stress Training (LST) and Plant Training" <<https://www.etsy.com/listing/822721092/90-degree-plant-bender-35-pack-for-low>>, Jul. 11, 2020.
Ebay, "(35 Pack) HMG 90 Degree Plant Benders for Low Stress Training (LST)" <<https://www.ebay.com/itm/35-Pack-HMG-90-Degree-Plant-Benders-for-Low-Stress-Training-LST/393164244180?hash=item5b8a6a44d4:g:H2IAAOSwa5RgHN4B>>, Mar. 1, 2020.
HomeMadeGrow.com "90 Degree Plant Bender for Low Stress Training (35 Pack)" <<https://homemadegrow.com/90-degree-plant-bender-for-low-stress-training-35-pack>>, Sep. 25, 2020.
Haze, Nebula, "Low Stress Training (LST) Tutorial" <<https://www.growweedeasy.com/low-stress-training-1st>>, Jul. 25, 2017.

(Continued)

Primary Examiner — Calvin E Vansant
Assistant Examiner — Eidiol Ghigliotty Torres
(74) *Attorney, Agent, or Firm* — K&L Gates LLP

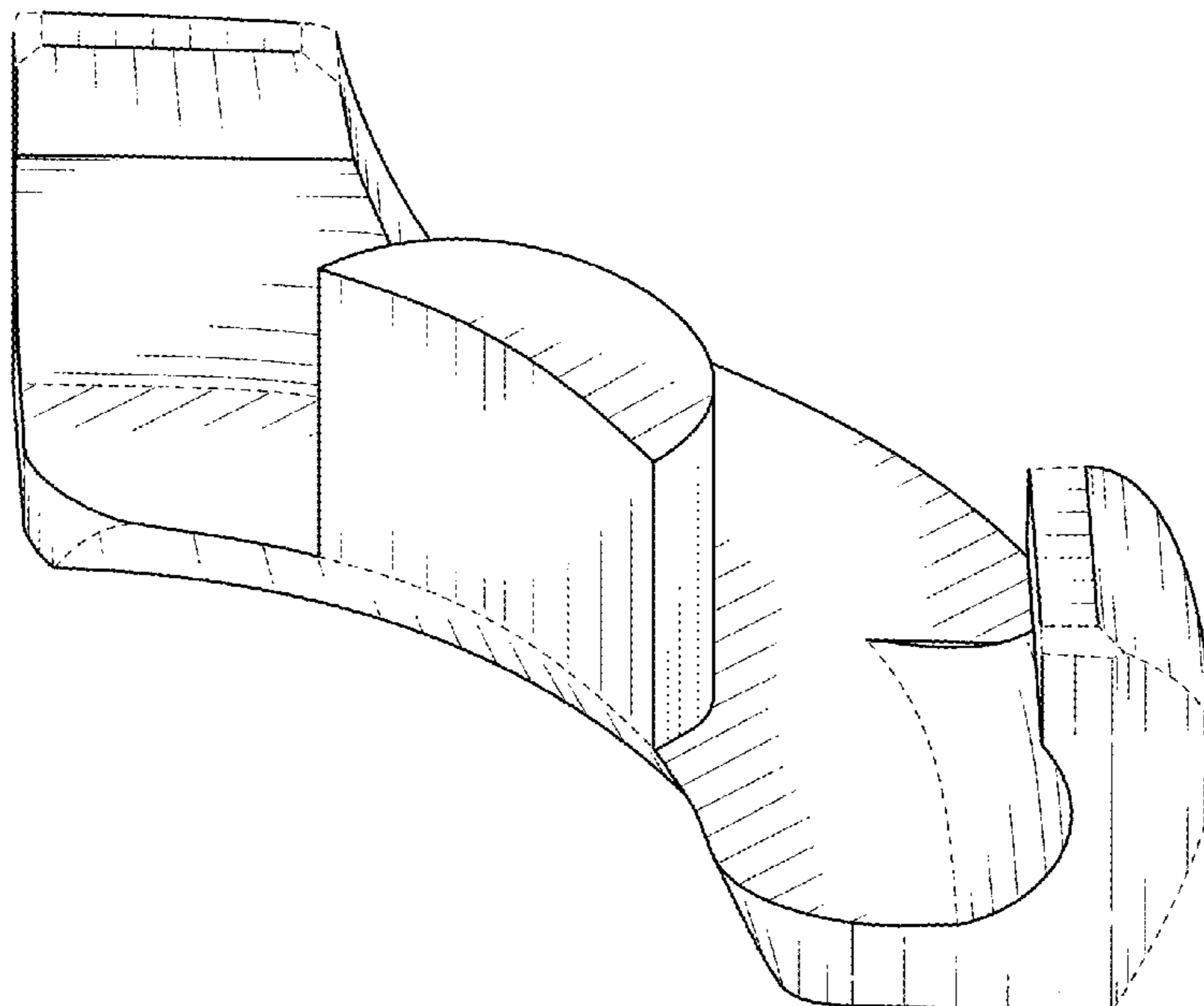
(57) **CLAIM**

The ornamental design for a plant bender, as shown and described.

DESCRIPTION

FIG. 1 is a top, front and right side perspective view of a plant bender embodying my new design.
FIG. 2 is a front view thereof.
FIG. 3 is a rear view thereof.
FIG. 4 is a left side view thereof.
FIG. 5 is a right side view thereof.
FIG. 6 is a top view thereof; and,
FIG. 7 is a bottom view thereof.
The broken lines depict portions of the plant bender that form no part of the claimed design.

1 Claim, 4 Drawing Sheets



(56)

References Cited

OTHER PUBLICATIONS

RQS Blog, "How To Perform Low Stress Training Training On Cannabis For Better Yields" <<https://www.royalqueenseeds.com/blog-low-stress-training-n100>>, Sep. 22, 2014.

Weedmaps, "An easy guide to low-stress training", < <https://weedmaps.com/learn/the-plant/easy-guide-to-low-stress-training>>, Jun. 19, 2020.

Reddit, "Follow up video on plastic LST plant benders on Barneys Farm Purple Punch and Banana Blaze. Amazing Results (16 nodes on Purple Punch!)" <https://www.reddit.com/r/GrowingMarijuana/comments/kvs7yu/follow_up_video_on_plastic_lst_plant_benders_on/> Jan. 11, 2021.

Reddit, "Just put on the girls hair ties LST plant benders. Work great!" <https://www.reddit.com/r/microgrowery/comments/kvbhhl/just_put_on_the_girls_hair_ties_lst_plant_benders/>, Jan. 11, 2021.

Reddit, "Blueberry and Gorilla Zkittles on day 29 with my new LST plant benders! They work amazing!" <https://www.reddit.com/r/GrowingMarijuana/comments/kvf7ye/blueberry_and_gorilla_zkittles_on_day_29_with_my/>, Jan. 11, 2021.

The Autoflower Network "Plant Benders for LST" <<https://www.autoflower.net/forums/threads/plant-benders-for-lst.81535/>>, Dec. 30, 2020.

* cited by examiner

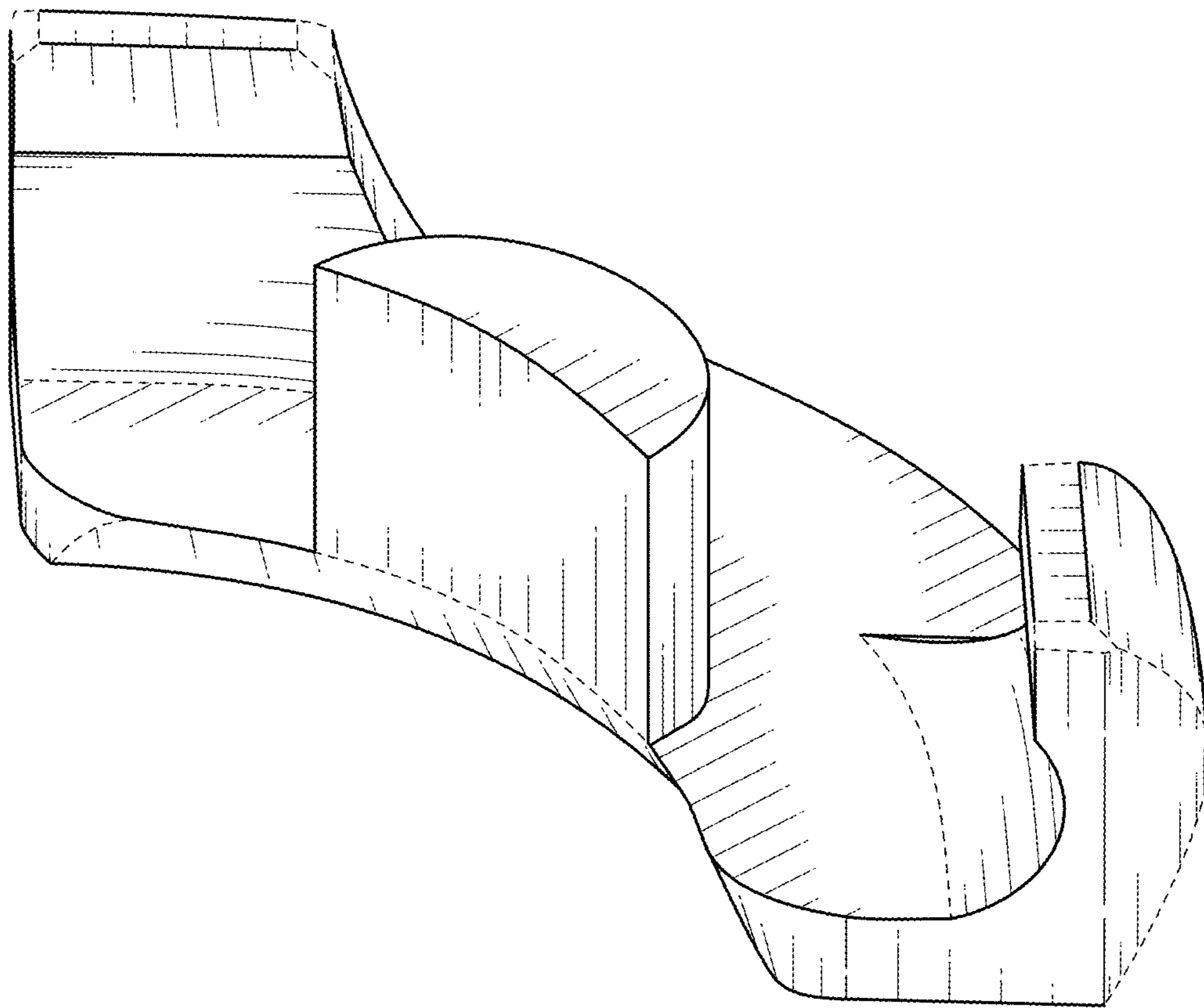


FIG. 1

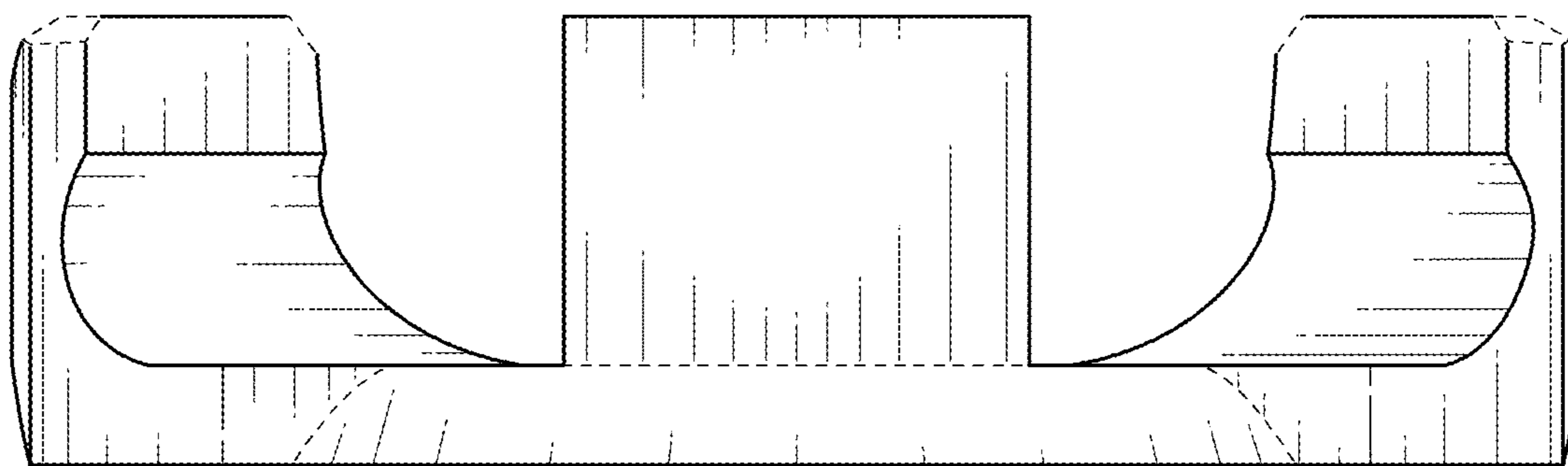


FIG. 2

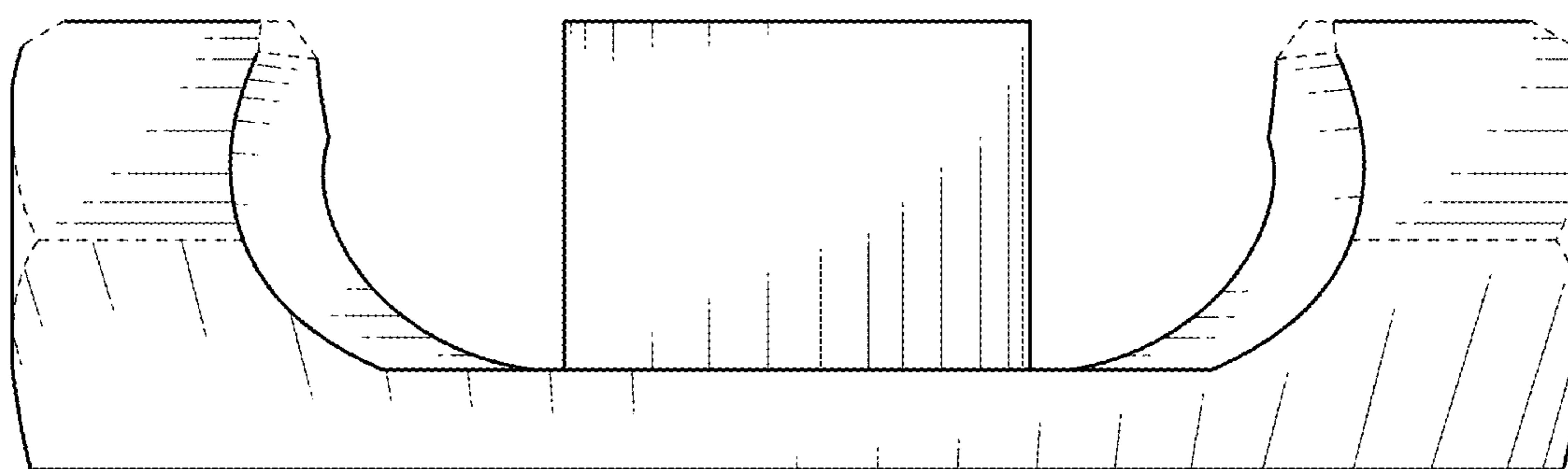


FIG. 3

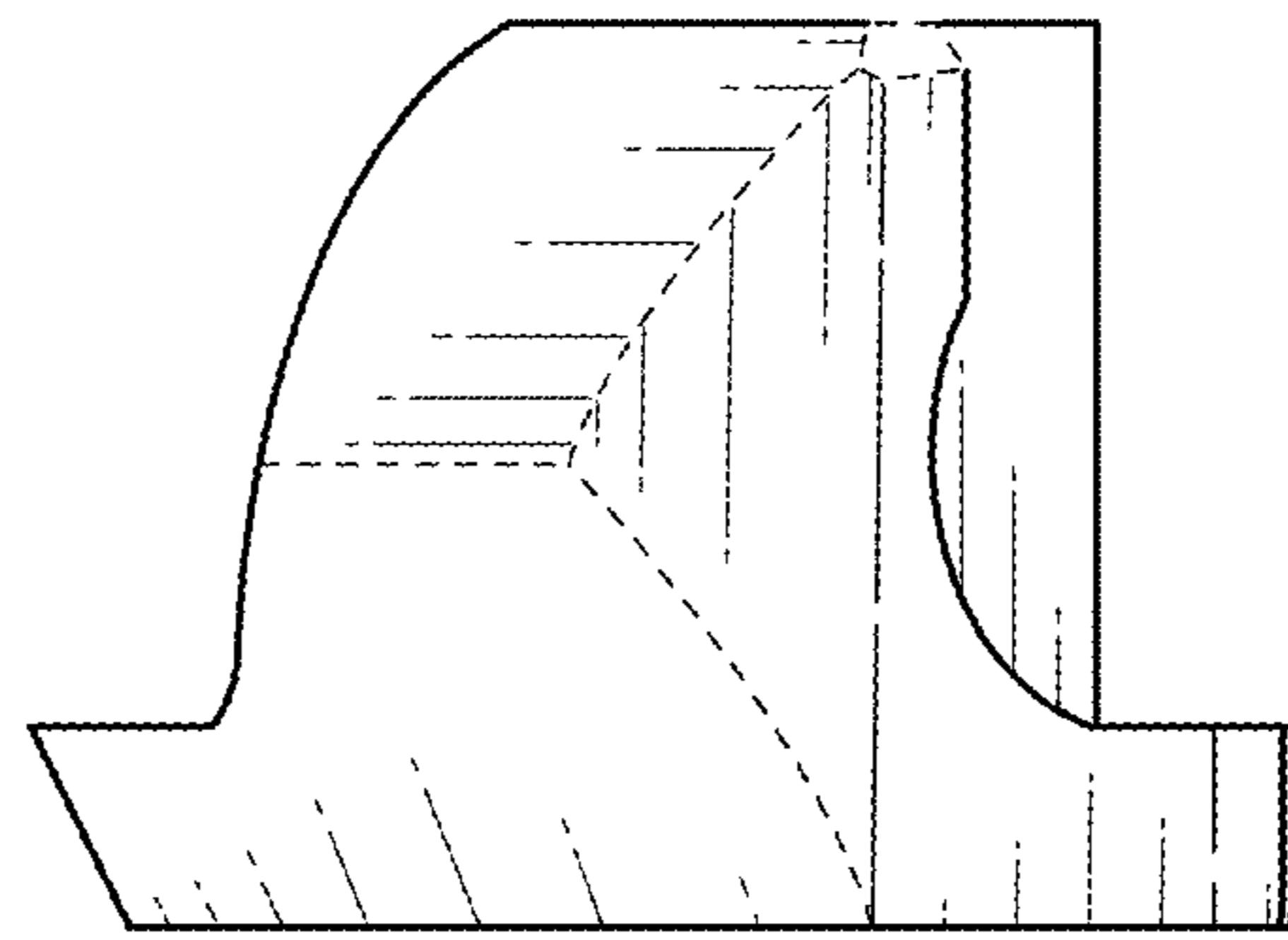


FIG. 4

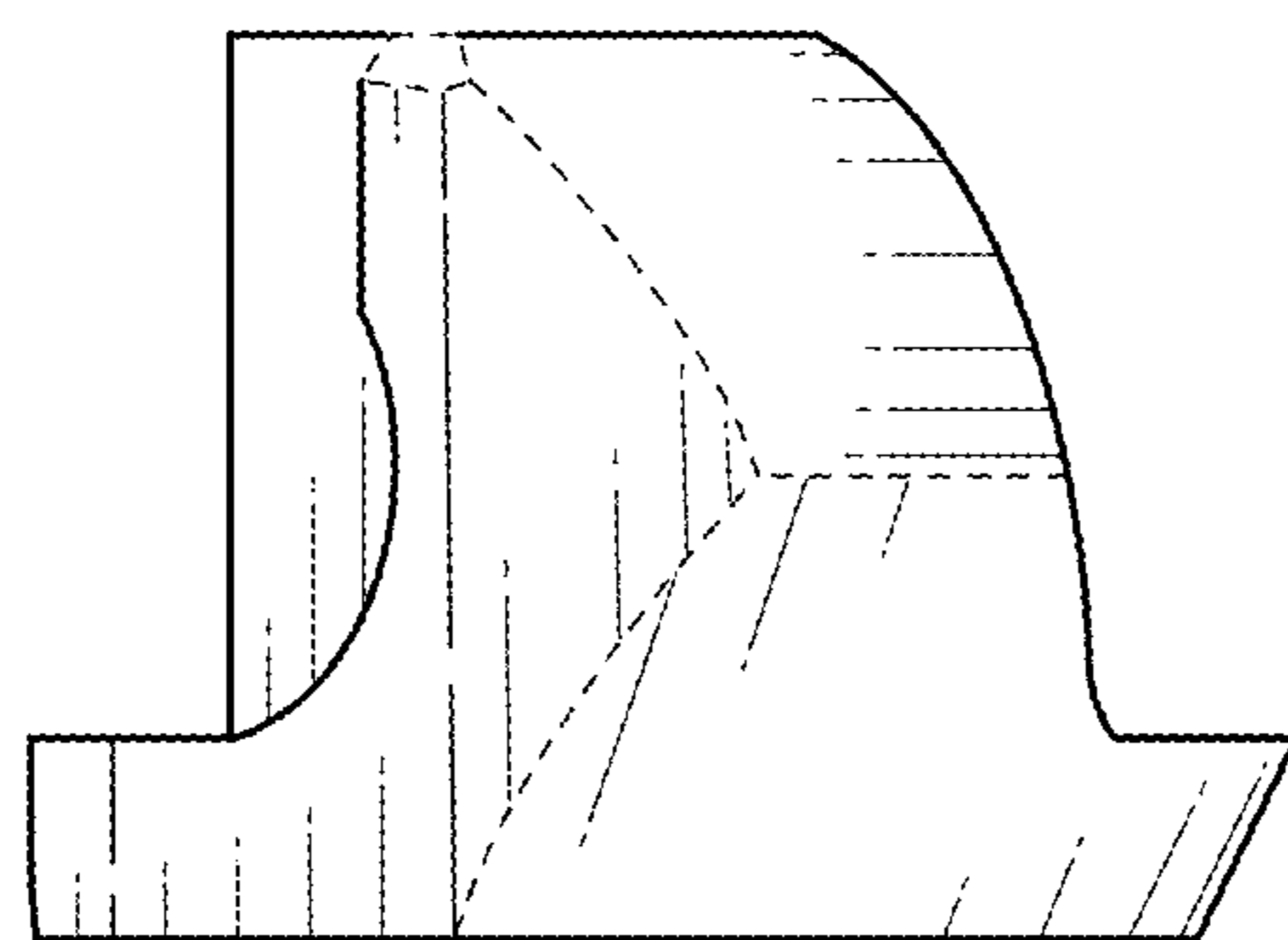


FIG. 5

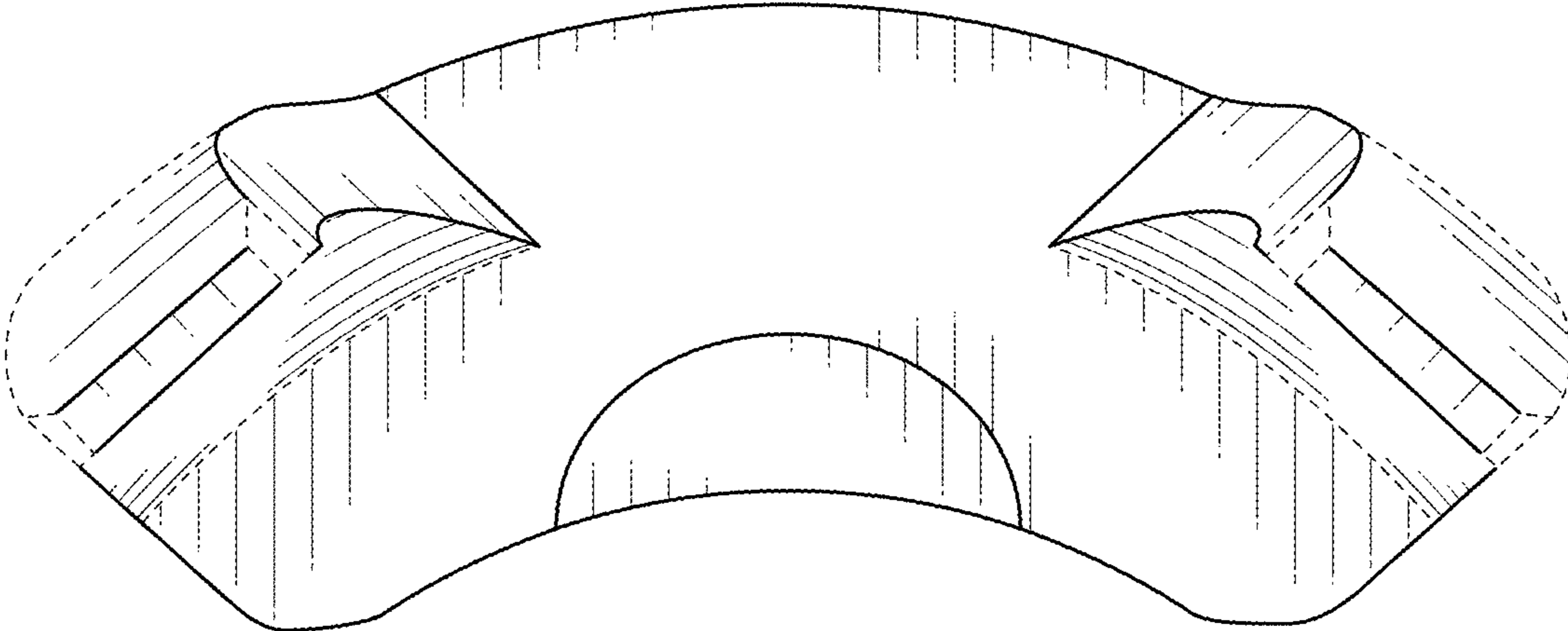


FIG. 6

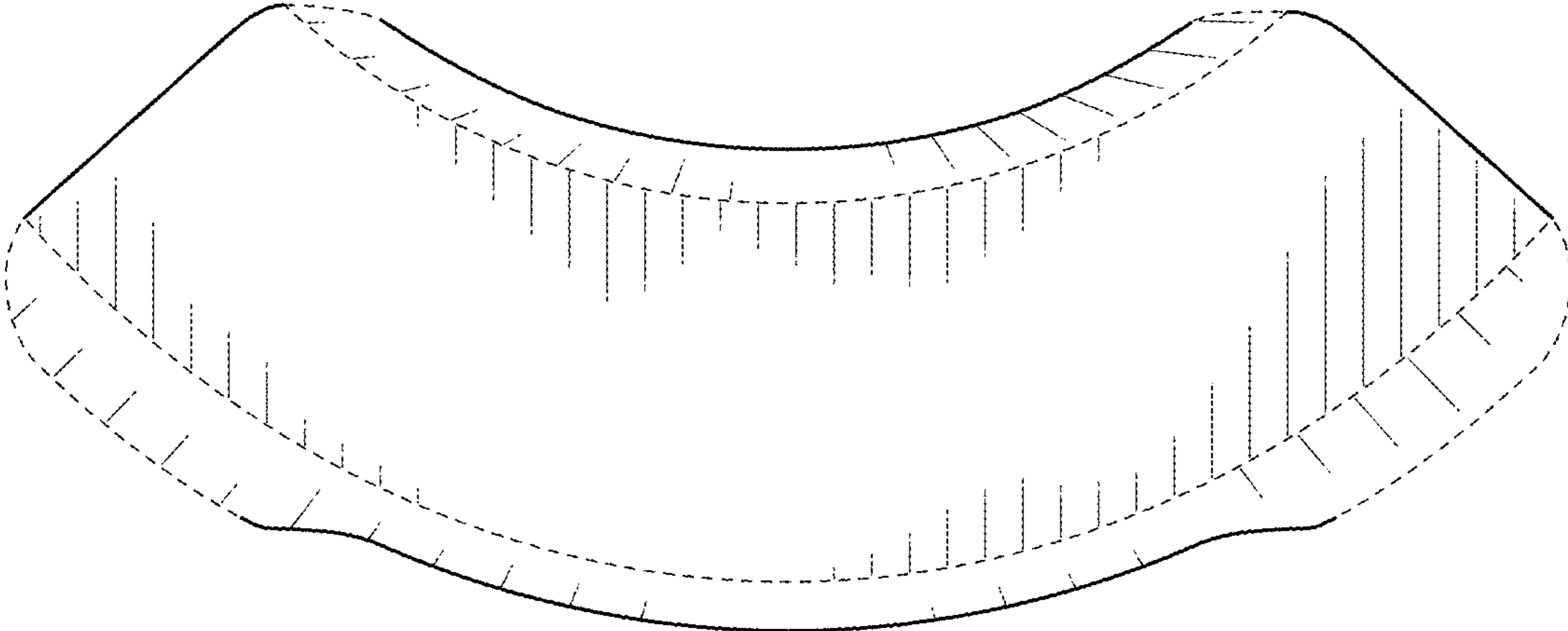


FIG. 7