



US00D981192S

(12) **United States Design Patent**
Phillips

(10) **Patent No.:** **US D981,192 S**

(45) **Date of Patent:** **** Mar. 21, 2023**

(54) **GLASS HOLDER**

(71) Applicant: **Kevin Phillips**, Richfield Springs, NY
(US)

(72) Inventor: **Kevin Phillips**, Richfield Springs, NY
(US)

(**) Term: **15 Years**

(21) Appl. No.: **29/766,703**

(22) Filed: **Jan. 18, 2021**

(51) **LOC (14) Cl.** **06-04**

(52) **U.S. Cl.**
USPC **D7/704**

(58) **Field of Classification Search**
USPC D7/701-708, 600.1-600.4; D8/370, 373;
D6/514, 553, 566, 569
CPC A47B 73/002; A47B 73/006; A47B 73/00;
A47B 73/004; A47B 73/008; A47B
81/04; B01L 9/06
See application file for complete search history.

(56) **References Cited**

U.S. PATENT DOCUMENTS

- 3,746,179 A * 7/1973 Paumgardhen A47B 73/00
248/318
- D232,284 S * 8/1974 Shuck D7/701
- D260,463 S * 9/1981 Imus D7/704
- 4,421,238 A * 12/1983 Patton B68C 1/002
D12/115
- D332,888 S * 2/1993 Cook D7/704
- D351,535 S * 10/1994 Renegar D7/701
- D434,619 S * 12/2000 Janis D7/704
- D467,127 S * 12/2002 Wright D7/704
- D472,432 S * 4/2003 Goodman D7/704
- D474,943 S * 5/2003 Olsen D3/315
- D487,862 S * 3/2004 Tincher D7/620

- D498,963 S * 11/2004 Sung-Feng D8/372
- D628,451 S * 12/2010 Nodolf D7/704
- D631,714 S * 2/2011 Chen D7/704
- D659,905 S * 5/2012 Fingerson D28/73
- D692,683 S * 11/2013 Coraluzzo D6/514
- D748,335 S * 1/2016 Goodman D28/38
- D789,757 S * 6/2017 Phillips D7/704
- D814,211 S * 4/2018 Castellana D6/566

* cited by examiner

Primary Examiner — Terry A Wallace

(74) *Attorney, Agent, or Firm* — Hoffman Warnick LLC

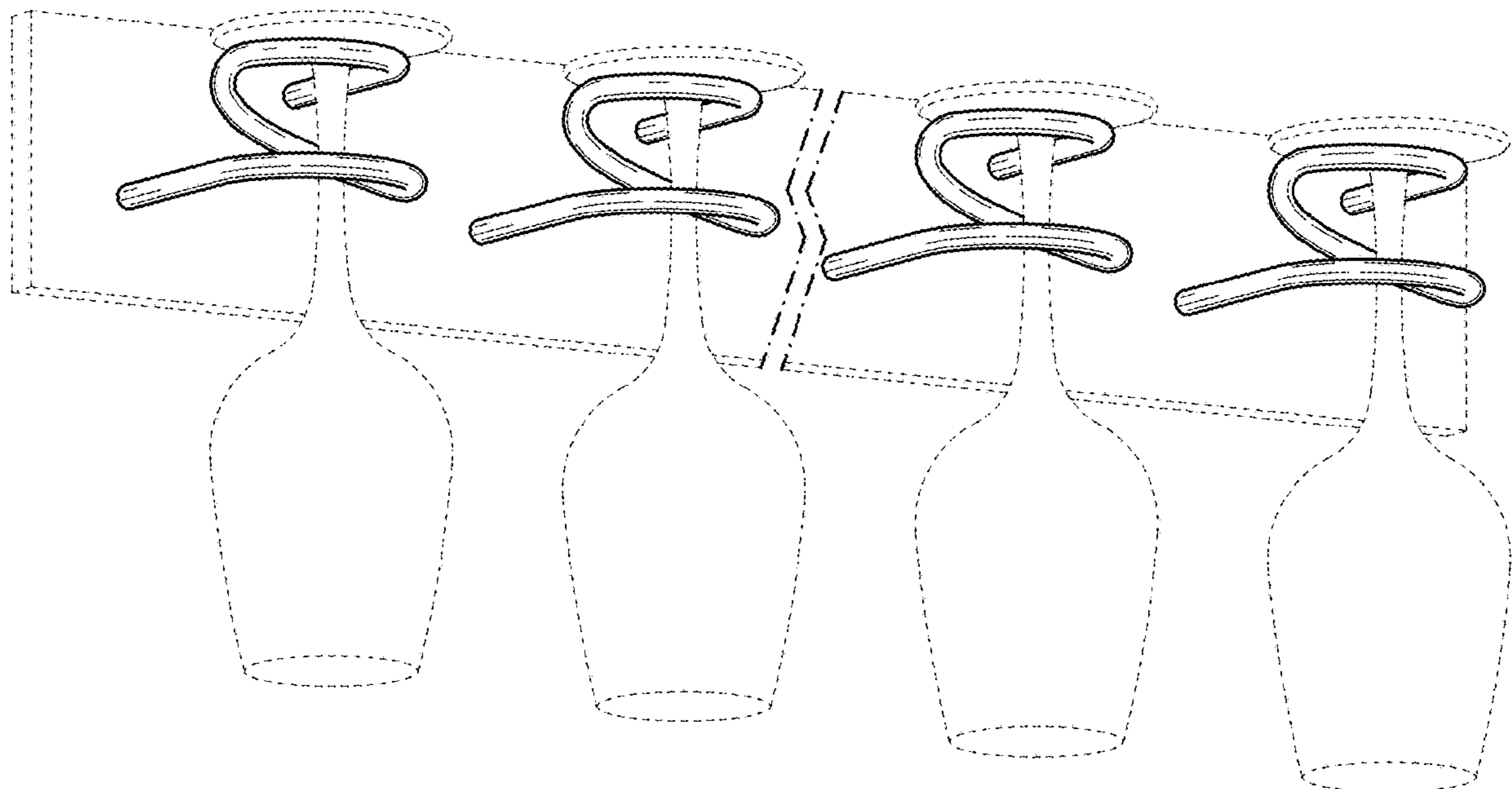
(57) **CLAIM**

The ornamental design for a glass holder, as shown and described.

DESCRIPTION

FIG. 1 is a front perspective view of a glass holder with glasses and back plate shown in phantom;
 FIG. 2 is a front perspective view of the glass holder in FIG. 1 with backing shown in phantom;
 FIG. 3 is a front view of the glass holder in FIG. 1;
 FIG. 4 is a rear view of the glass holder in FIG. 1;
 FIG. 5 is a top view of the glass holder in FIG. 1;
 FIG. 6 is a bottom view of the glass holder in FIG. 1;
 FIG. 7 is a first side view of the glass holder in FIG. 1;
 FIG. 8 is a second side view of the glass holder in FIG. 1;
 FIG. 9 is a front perspective view of the glass holder in FIG. 1 showing a glass being installed in phantom;
 FIG. 10 is a front view of the glass holder in FIG. 1 showing a glass being installed in phantom;
 FIG. 11 is a front perspective view of the glass holder in FIG. 1 showing a glass being further installed in phantom; and,
 FIG. 12 is a front view of the glass holder in FIG. 1 showing a glass being further installed in phantom.
 The broken lines representing the back plate and glass are unclaimed subject matter.

1 Claim, 3 Drawing Sheets



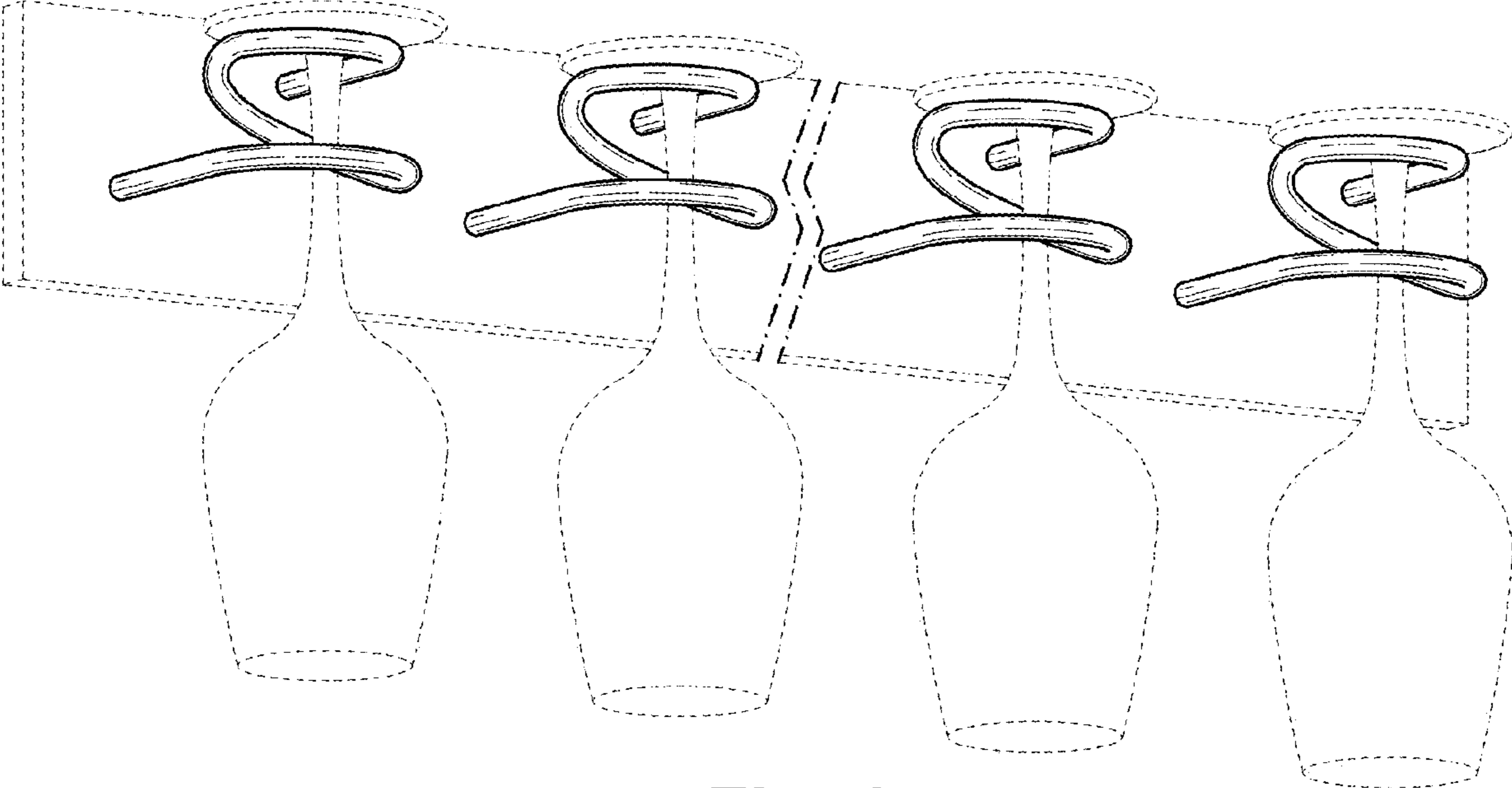


Fig. 1

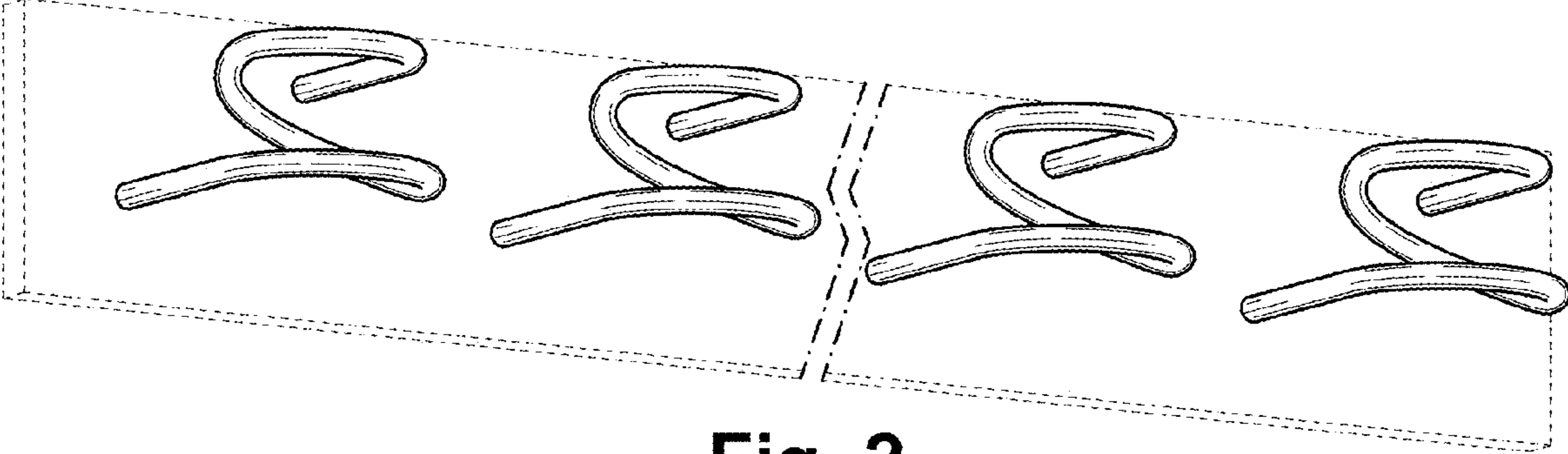


Fig. 2

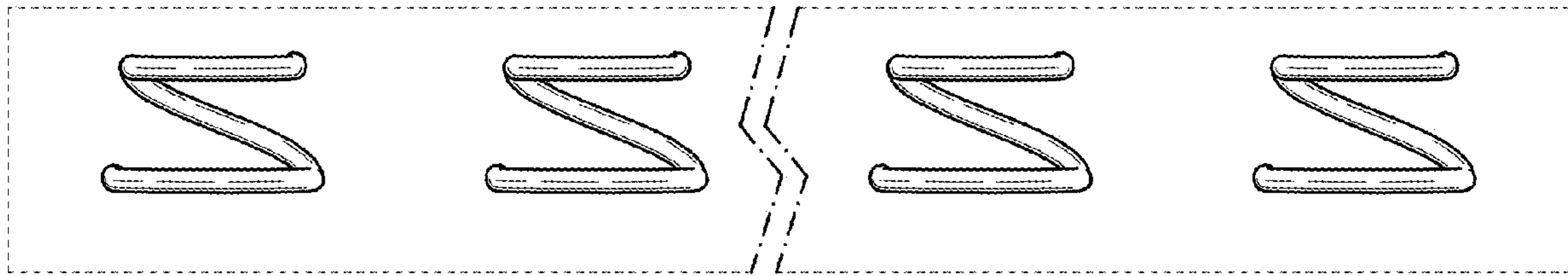


Fig. 3

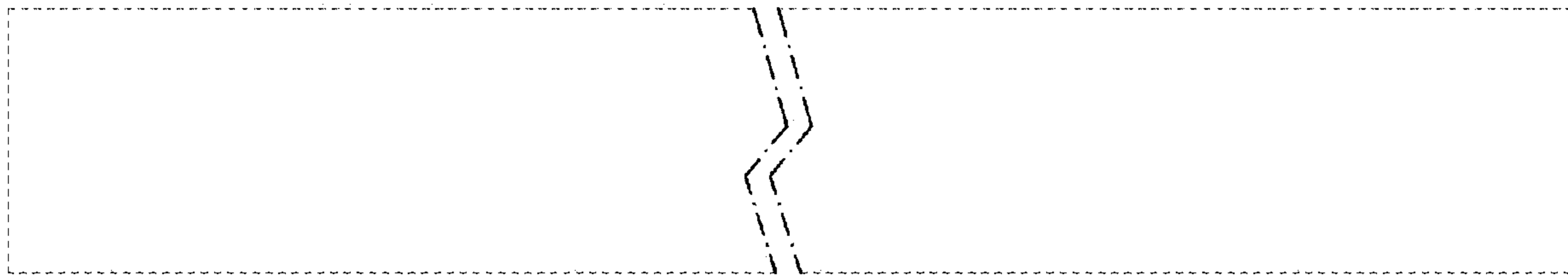


Fig. 4

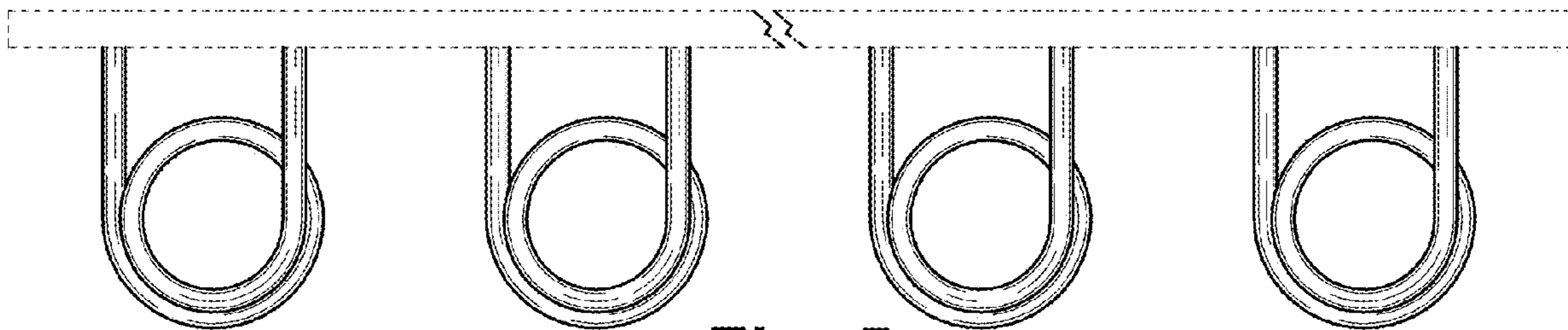


Fig. 5

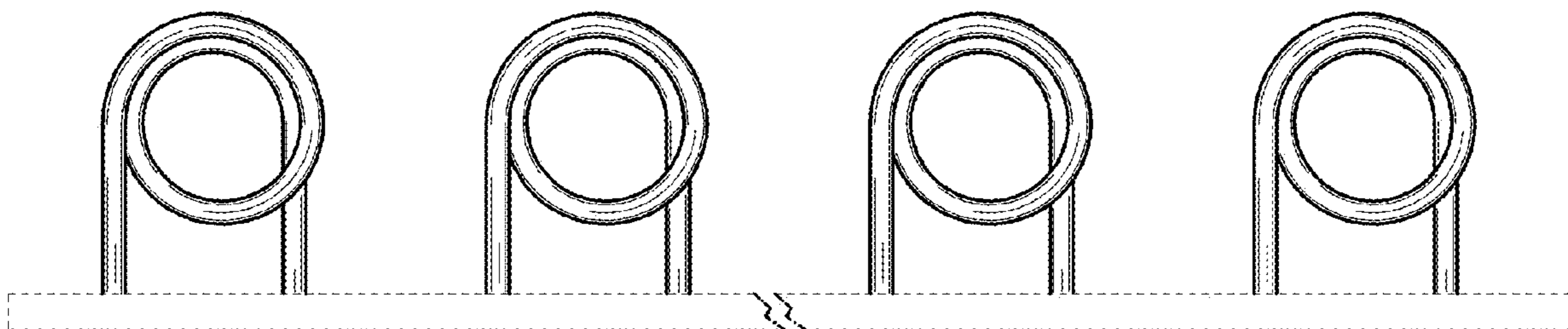


Fig. 6

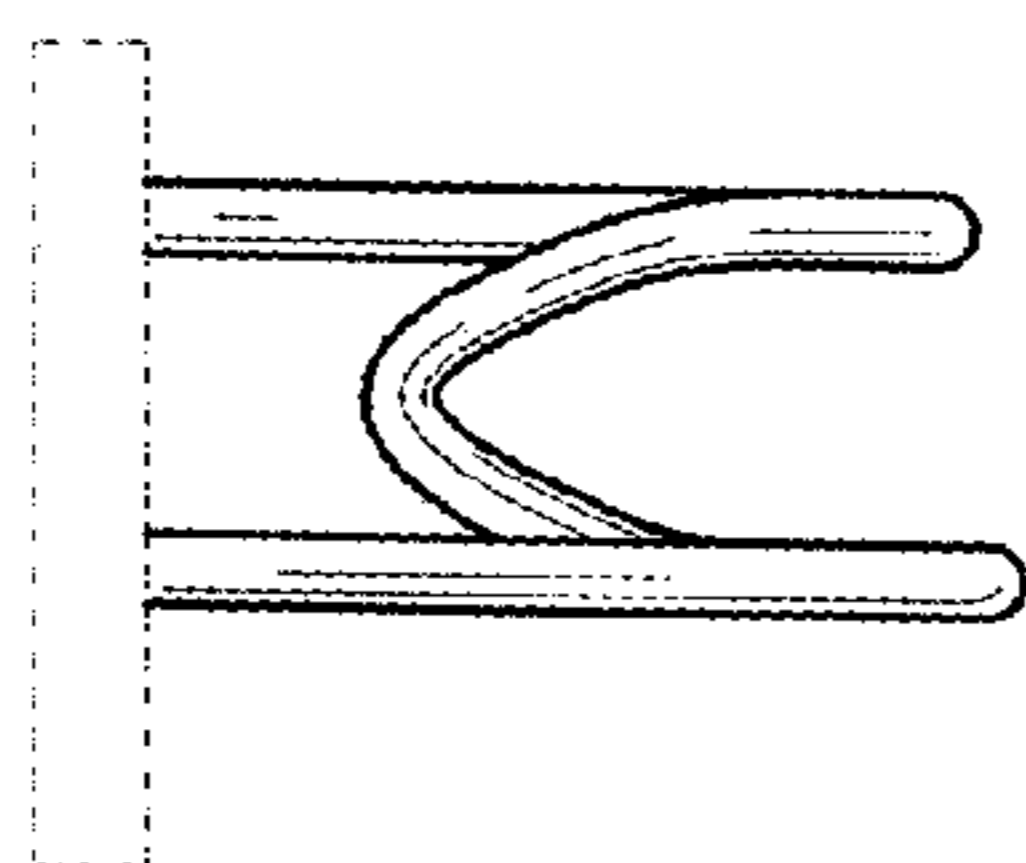


Fig. 7

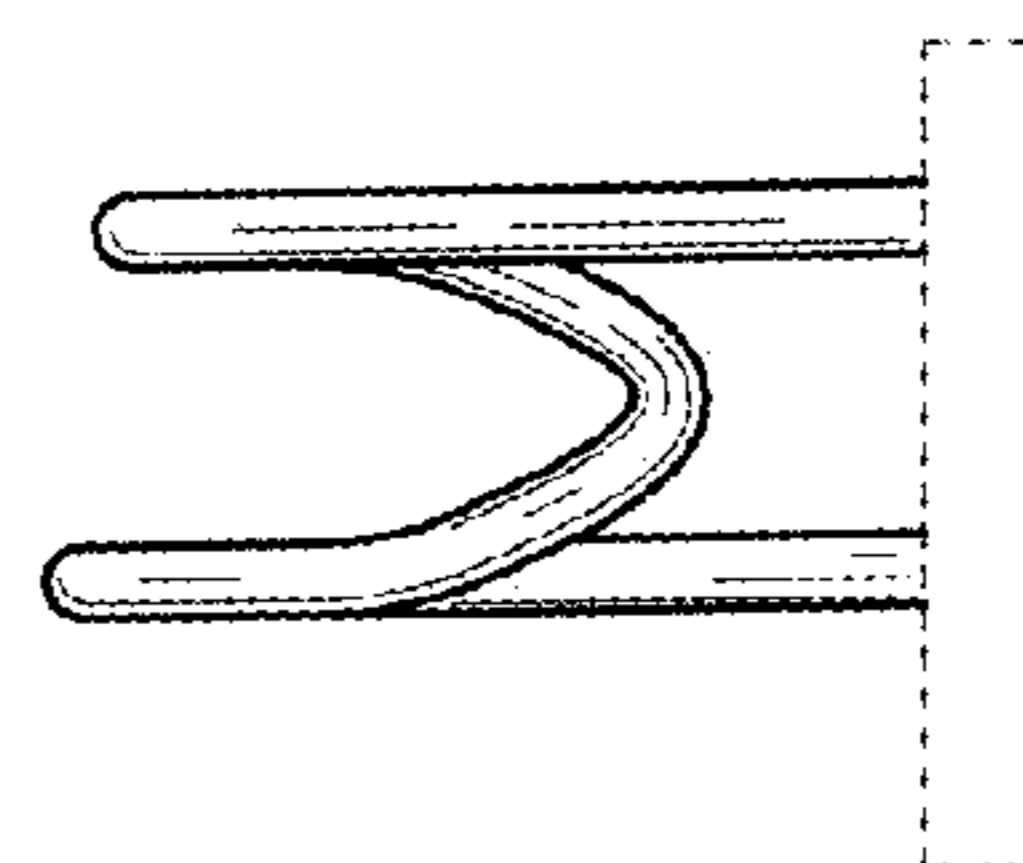


Fig. 8

