



US00D981188S

(12) **United States Design Patent** (10) **Patent No.:** **US D981,188 S**
Huang (45) **Date of Patent:** **** Mar. 21, 2023**

(54) **KNIFE BLOCK**
(71) Applicant: **Kaitao Huang**, Jieyang (CN)
(72) Inventor: **Kaitao Huang**, Jieyang (CN)

D950,324 S 5/2022 Shangguan
D954,509 S 6/2022 Liu
D955,187 S 6/2022 Hadaway
D956,486 S * 7/2022 Joseph D7/638
D969,568 S * 11/2022 Chen D7/637
D970,305 S * 11/2022 Zhang D7/637

(**) Term: **15 Years**

OTHER PUBLICATIONS

(21) Appl. No.: **29/856,994**
(22) Filed: **Oct. 19, 2022**
(51) **LOC (14) Cl.** **07-09**
(52) **U.S. Cl.**
USPC **D7/637**
(58) **Field of Classification Search**
USPC ... D7/600.1, 600.2, 601, 637-641, 701-708;
D3/308, 310, 315; D6/528, 534;
D19/75, 77, 81, 84, 85
CPC A47G 21/00; A47G 21/14; A47J 47/00;
A47J 47/16
See application file for complete search history.

Baie Maison Stylish Large Magnetic Knife Holder, first available Sep. 26, 2019, Amazon, [online], [site visited Jan. 5, 2023], Available from internet URL: <https://www.amazon.com/dp/B07YD82TRL> (Year: 2019).*
Enoking Magnetic Knife Block, first available Aug. 14, 2020, Amazon, [online], [site visited Jan. 5, 2023], Available from internet URL: [https://www.amazon.com/ENOKING-Magnetic-Transparent-Protection-Safer-\(Without/dp/B08FWV187G](https://www.amazon.com/ENOKING-Magnetic-Transparent-Protection-Safer-(Without/dp/B08FWV187G) (Year: 2020).*

* cited by examiner

Primary Examiner — Mary Ann Calabrese
Assistant Examiner — Natalya M Rapundalo
(74) *Attorney, Agent, or Firm* — Rumit Ranjit Kanakia

(56) **References Cited**

U.S. PATENT DOCUMENTS

D382,775 S * 8/1997 Skerker D7/638
D421,879 S * 3/2000 Miller D7/637
6,058,609 A * 5/2000 Yen A47G 21/14
248/37.3
D564,304 S * 3/2008 Koscicki A47G 21/14
D7/637
D764,876 S 8/2016 Liu
D773,256 S * 12/2016 Plant D7/637
D773,902 S 12/2016 Plant
D805,858 S 12/2017 Liu
D807,713 S * 1/2018 Liu D7/637
D810,515 S 2/2018 Liu
D886,545 S 6/2020 Holding
D886,554 S 6/2020 Dunne
D917,982 S 5/2021 deBretton Gordon
D949,639 S * 4/2022 Wei D7/637

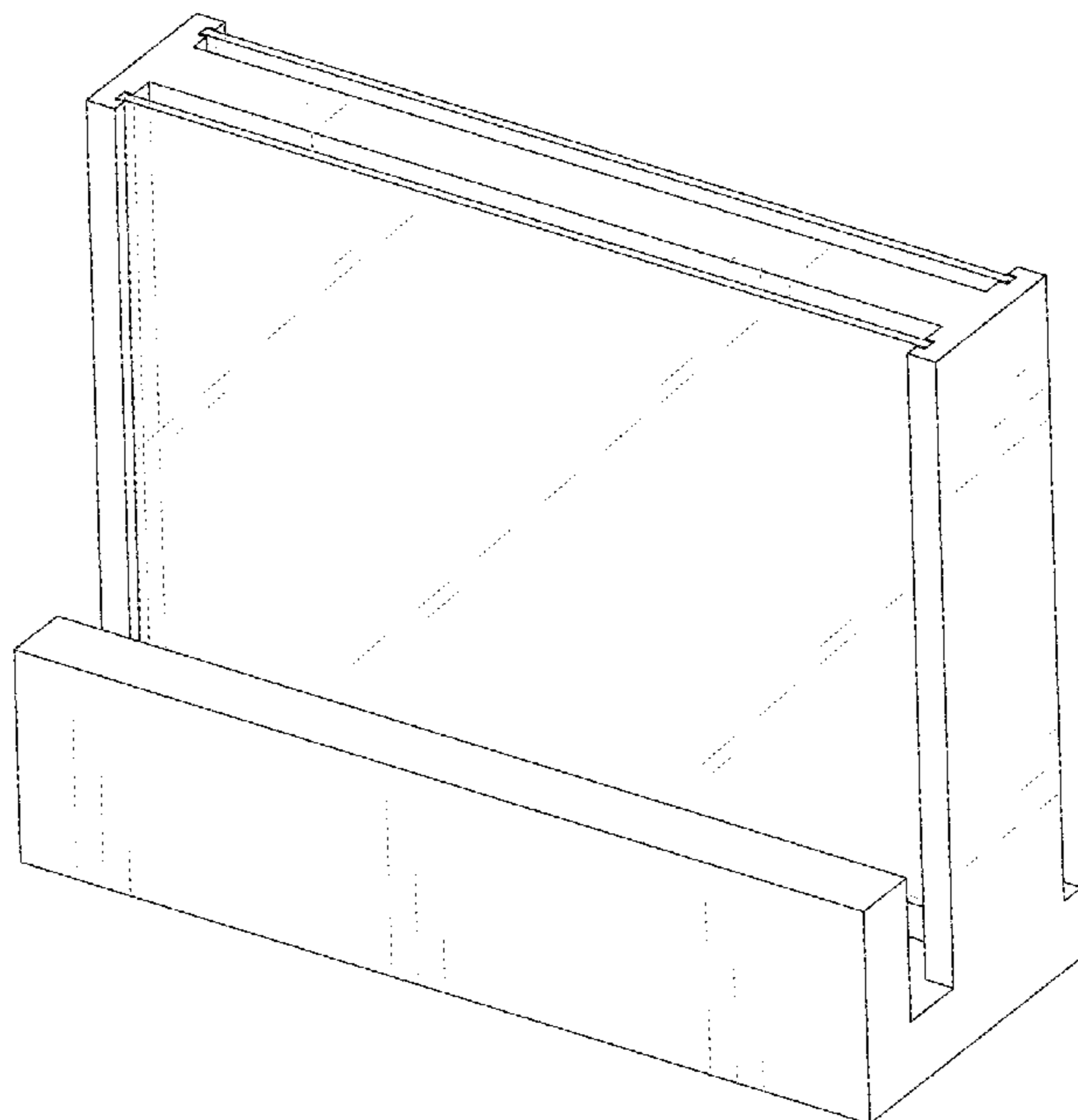
(57) **CLAIM**

The ornamental design for a knife block, as shown and described.

DESCRIPTION

FIG. 1 is a front top perspective view of a knife block showing my new design;
FIG. 2 is a rear bottom perspective view thereof;
FIG. 3 is a top perspective view thereof;
FIG. 4 is a front elevational view thereof;
FIG. 5 is a rear elevational view thereof;
FIG. 6 is a left side view thereof, the right side view being a mirror image of FIG. 6;
FIG. 7 is a top plan view thereof; and,
FIG. 8 is a bottom plan view thereof.

1 Claim, 5 Drawing Sheets



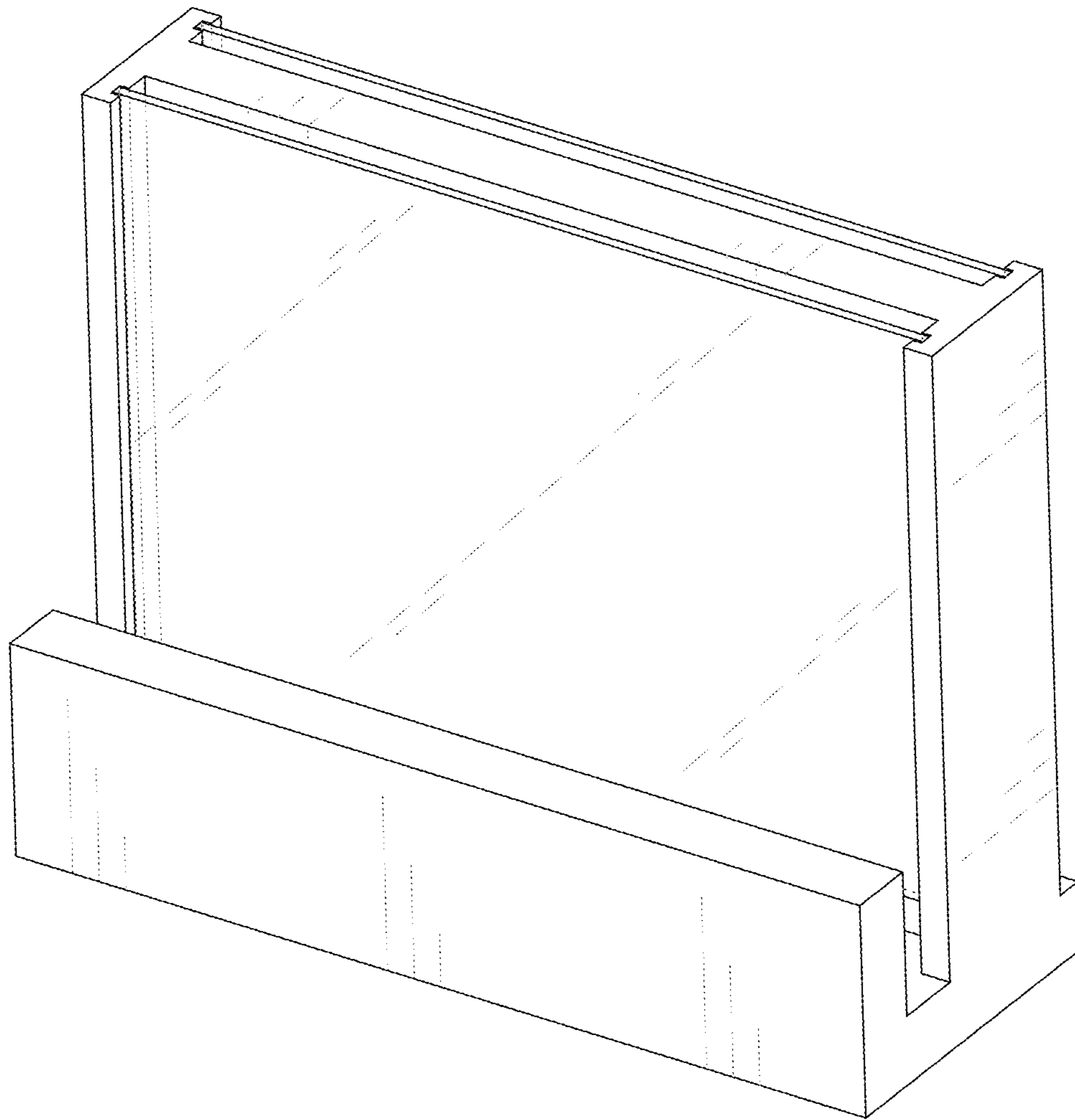


FIG. 1

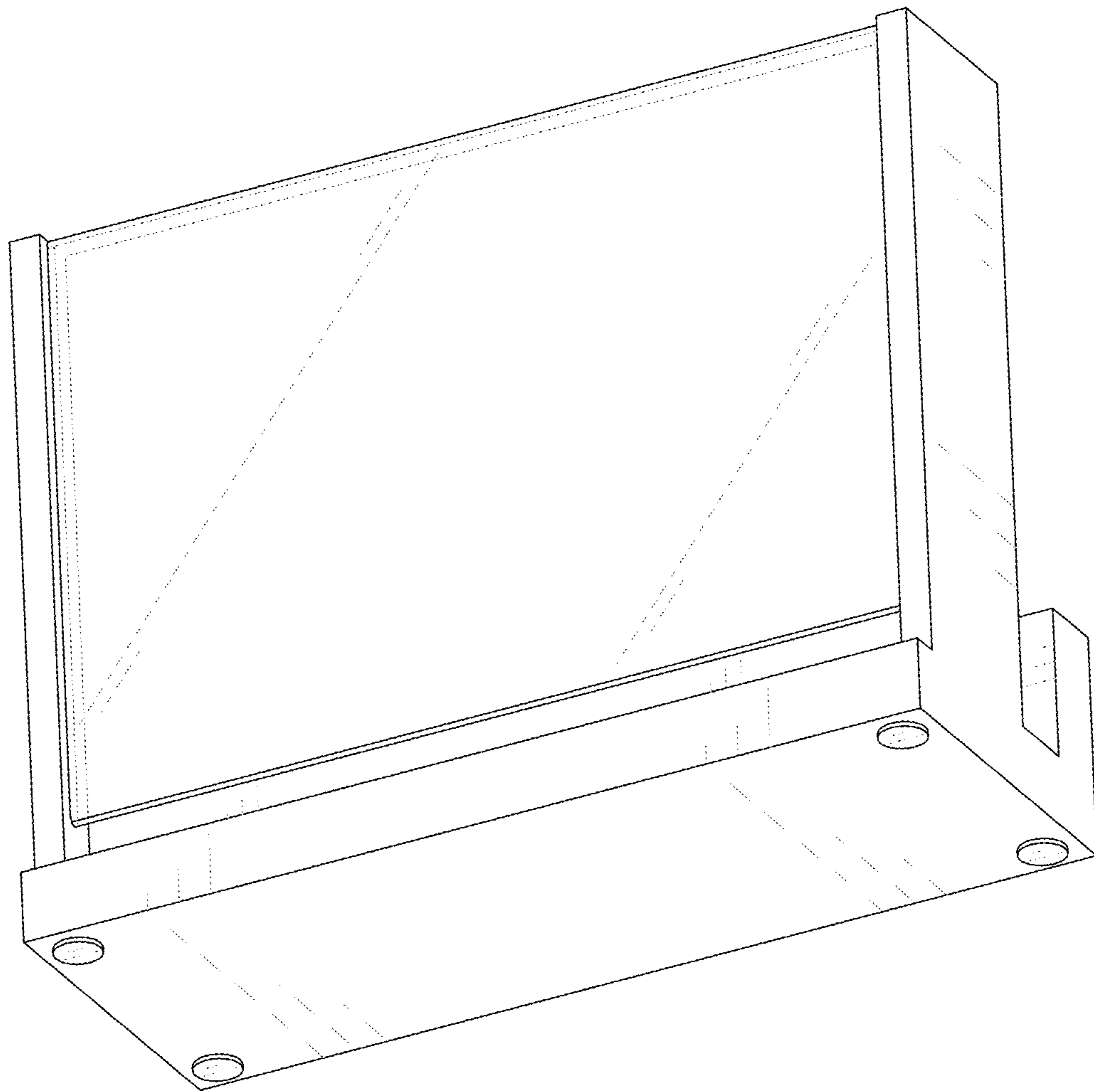


FIG. 2

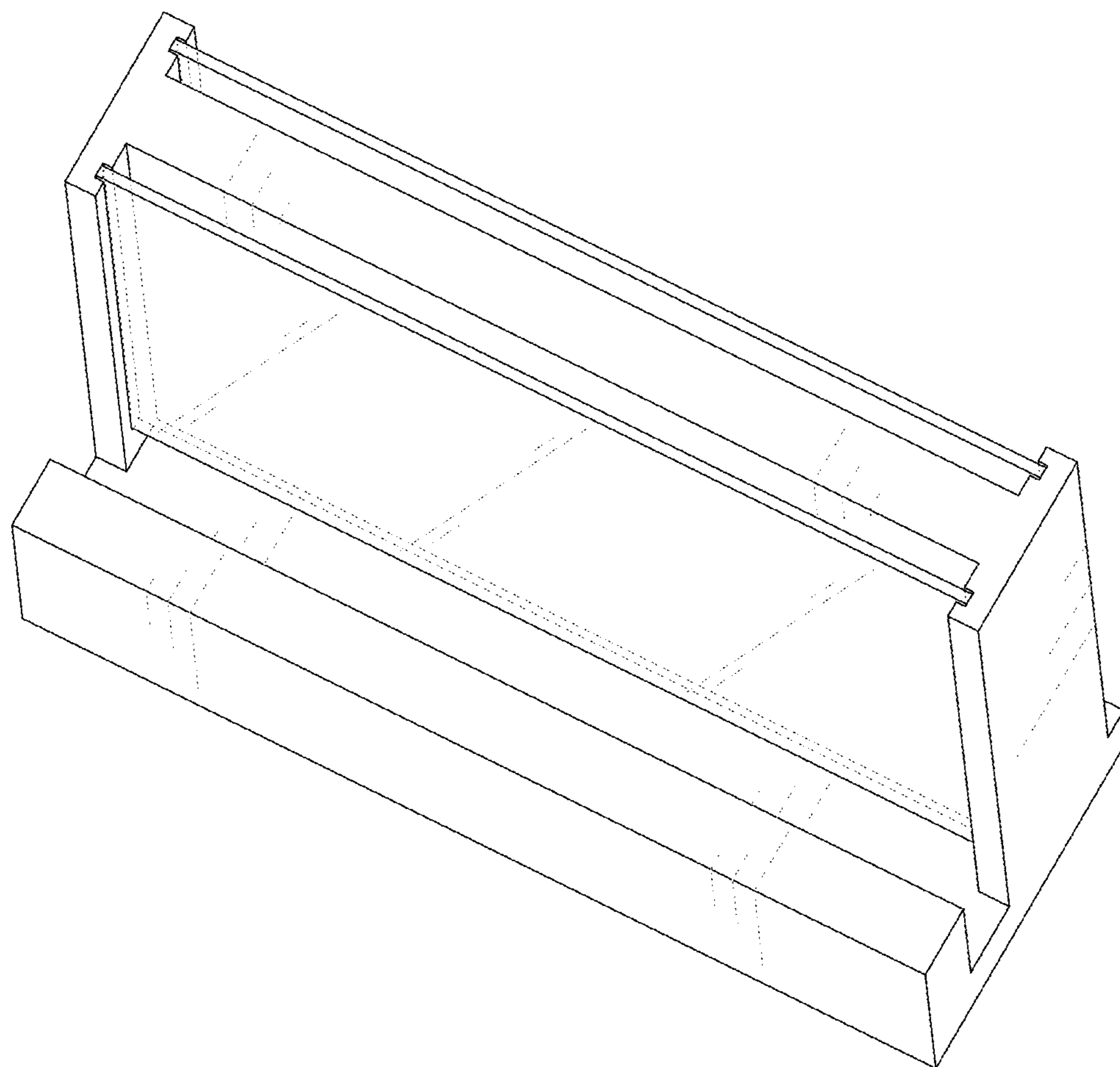


FIG. 3

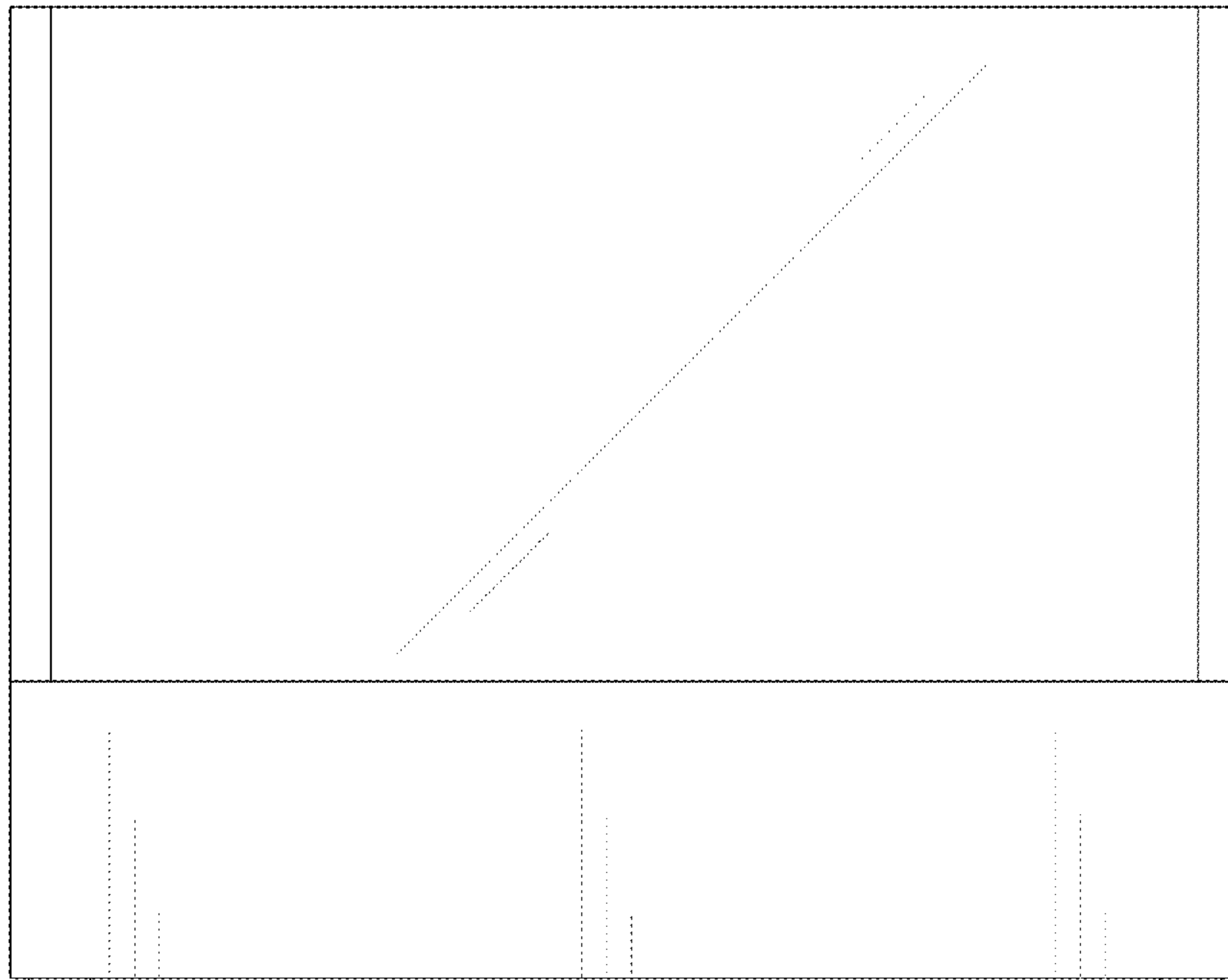


FIG.4

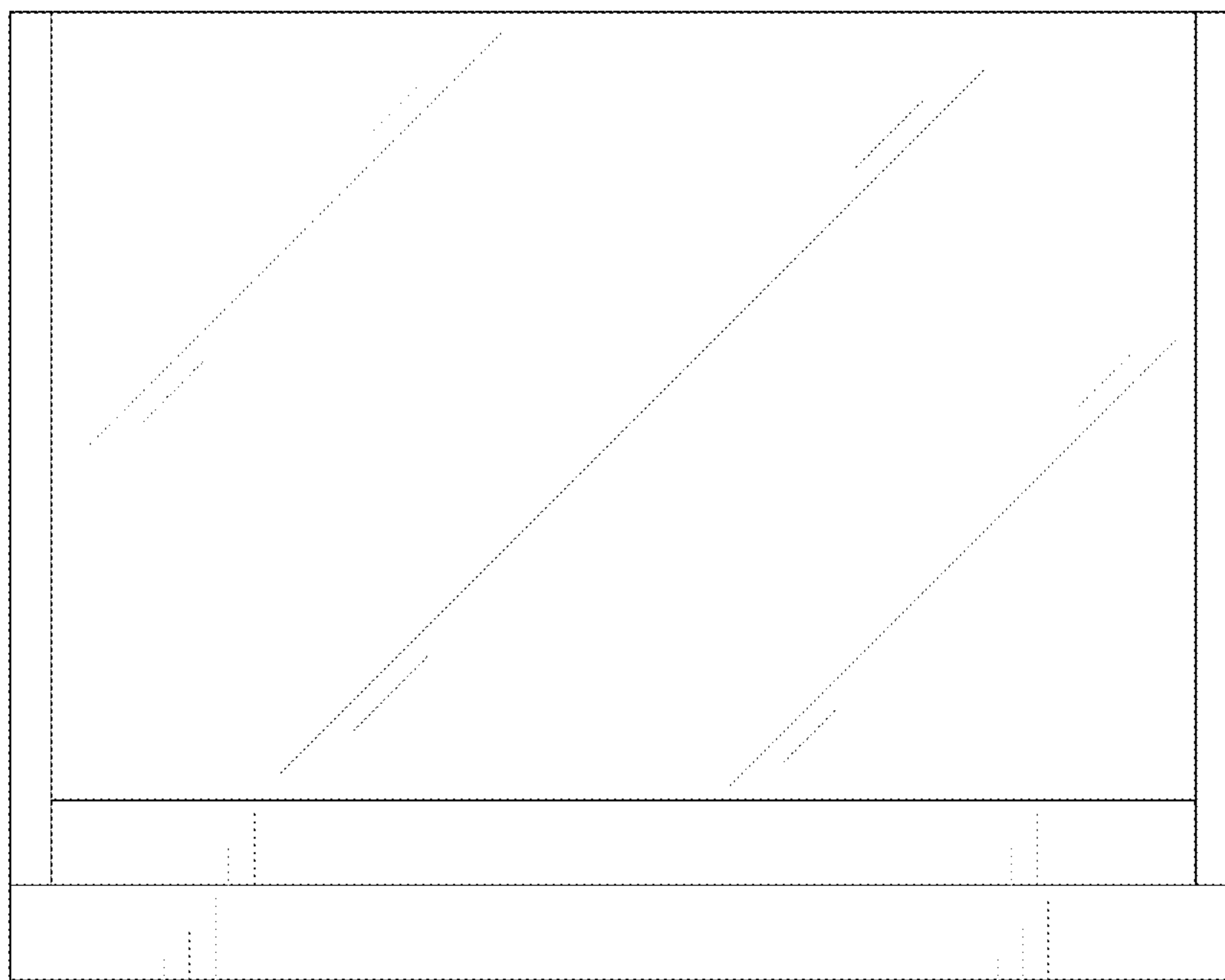


FIG.5

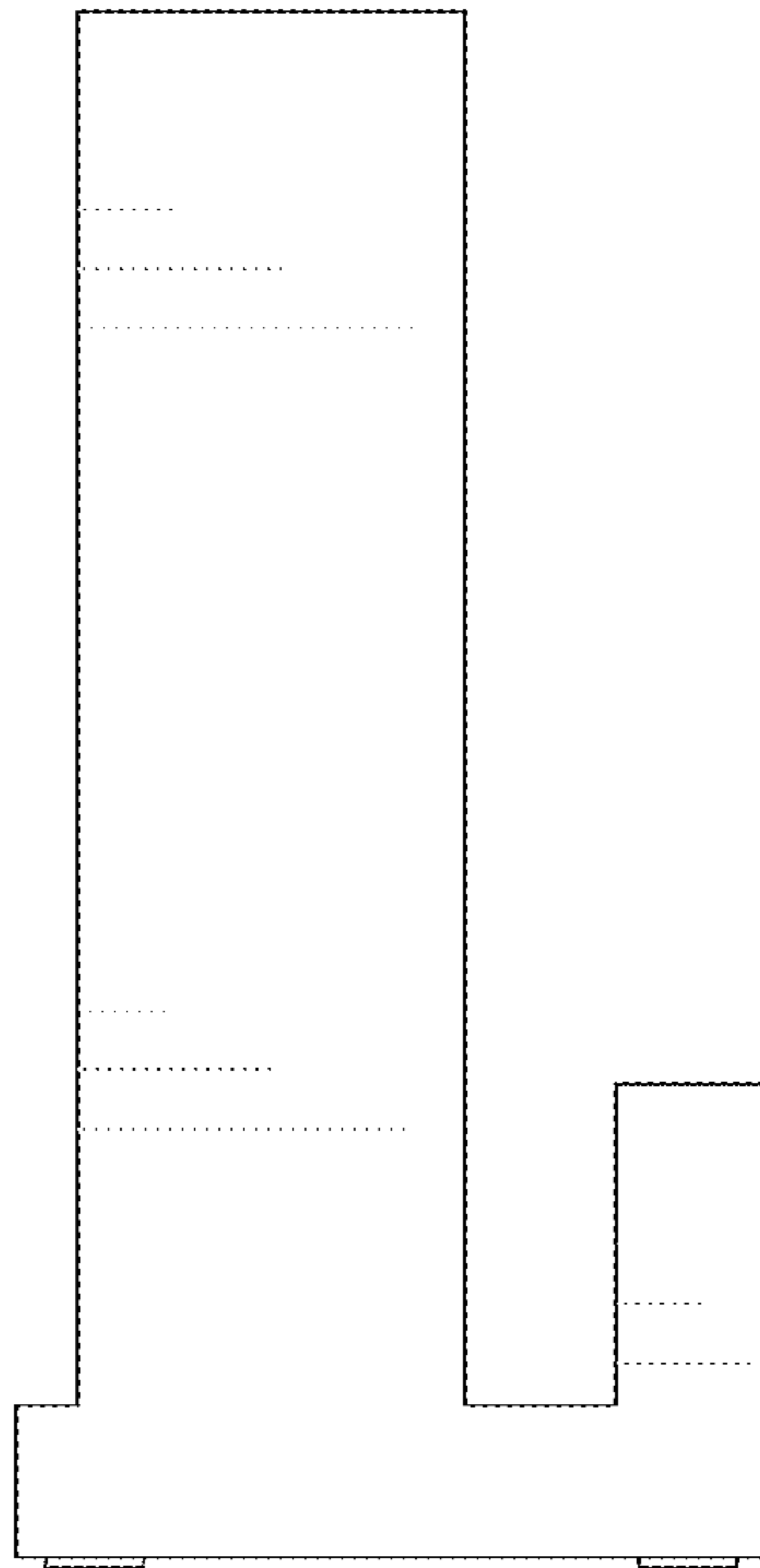


FIG. 6

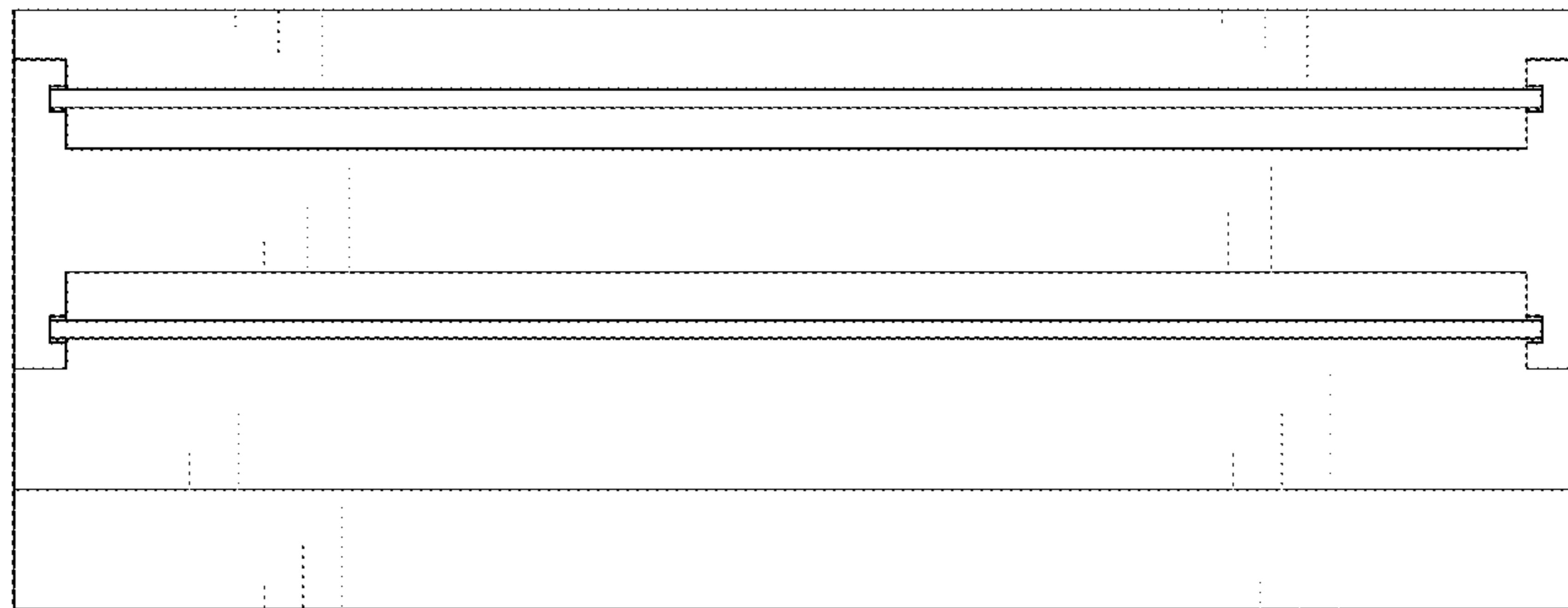


FIG. 7

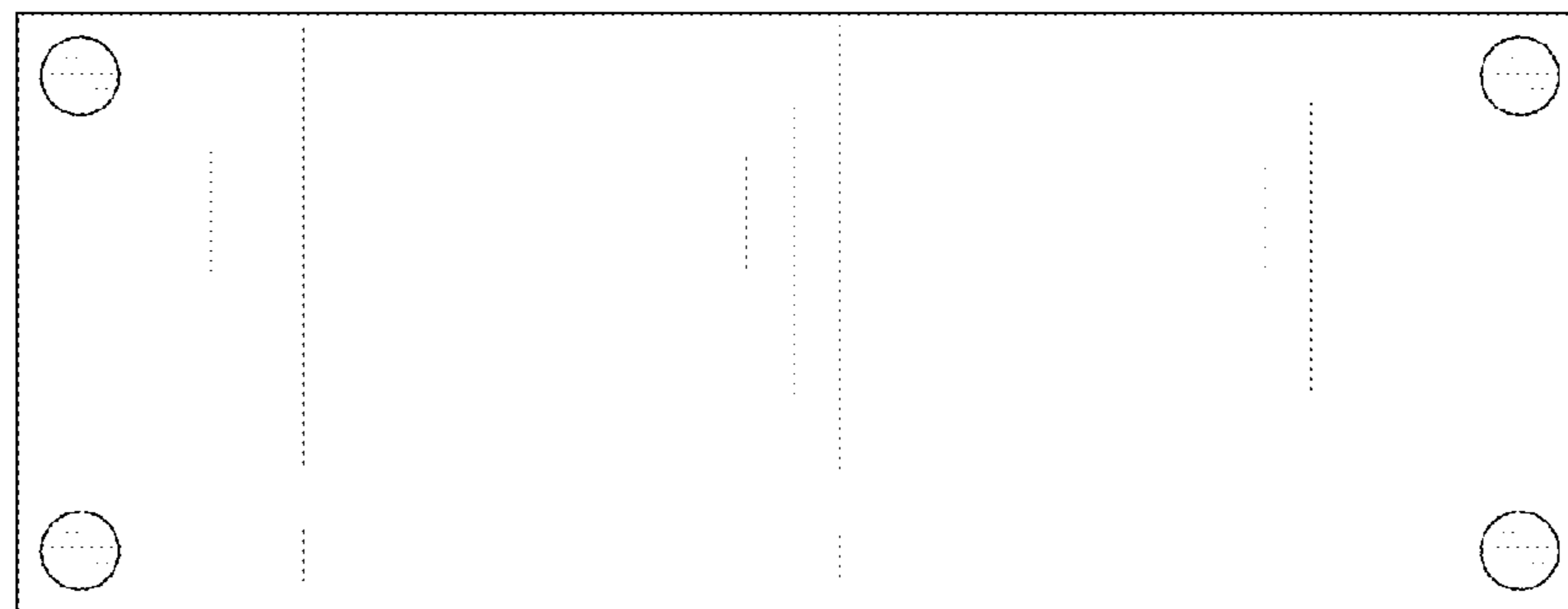


FIG. 8