



US00D981186S

(12) **United States Design Patent**
Liu

(10) **Patent No.:** **US D981,186 S**
(45) **Date of Patent:** **** Mar. 21, 2023**

(54) **FOOD CONTAINER**

OTHER PUBLICATIONS

(71) Applicant: **Anhui Lvcheng Plastic Industry Co., Ltd.**, Anhui (CN)

Glass Meal Prep Containers with Lifetime Lasting Snap Locking Lids Glass Food Containers, Airtight Lunch Container, First Available: Mar. 29, 2018, Retrieved Online From: <https://www.amazon.com/Containers-Lifetime-Container-Microwave-Dishwasher/dp/B07BSB87FL> on Mar. 29, 2018.*

(72) Inventor: **Jian Liu**, Anhui (CN)

3 Cup Snap Rect. Container, first available: Apr. 3, 2021 retrieved online from: <https://www.theeverydaychef.net/products/3-cup-snap-rect-container> on Dec. 12, 2022.*

(**) Term: **15 Years**

<https://www.wayfair.com/kitchen-tabletop/pdp/lock-lock-easy-essentials-rectangular-6-container-food-storage-set-l1177.html> on Dec. 12, 2022.*

(21) Appl. No.: **29/804,687**

(22) Filed: **Aug. 23, 2021**

(51) **LOC (14) Cl.** **07-07**

(52) **U.S. Cl.**
USPC **D7/629**

(58) **Field of Classification Search**
USPC D7/601-603, 605, 759-761, 629-630,
D7/637, 368, 392.1, 555, 708.1;
D9/414-416, 424-425, 430-432, 420, 418
CPC B65D 81/3476; B65D 43/163; B65D
81/3813; B65D 81/3823; A45C 11/20;
A45C 13/005

See application file for complete search history.

* cited by examiner

Primary Examiner — Shannon W Morgan

Assistant Examiner — Terilyn Nicole Davis

(74) *Attorney, Agent, or Firm* — Rumit Ranjit Kanakia

(57) **CLAIM**

The ornamental design for a food container, as shown and described.

(56) **References Cited**

DESCRIPTION

U.S. PATENT DOCUMENTS

D544,762 S *	6/2007	Zimmerman	D7/629
D682,052 S *	5/2013	Thomas	D7/629
D695,575 S *	12/2013	Katz	D7/629
D722,834 S *	2/2015	Beckman	D7/629
D763,629 S *	8/2016	Swartz	D7/629
D880,957 S *	4/2020	Xu	D7/629
D883,754 S *	5/2020	Xu	D7/629
D901,990 S *	11/2020	Pinelli	D7/629
2014/0103033 A1 *	4/2014	Beckman	B65D 1/34 220/4.01
2020/0198848 A1 *	6/2020	Nahar	B65D 43/0212
2022/0219867 A1 *	7/2022	Atshan	A47J 47/10

FOREIGN PATENT DOCUMENTS

EM 008656276-0001 * 8/2021

FIG. 1 is a front elevational view of a food container showing my new design;

FIG. 2 is a rear elevational view thereof; and

FIG. 3 is a left side view thereof;

FIG. 4 is a right side view thereof;

FIG. 5 is a top plan view thereof;

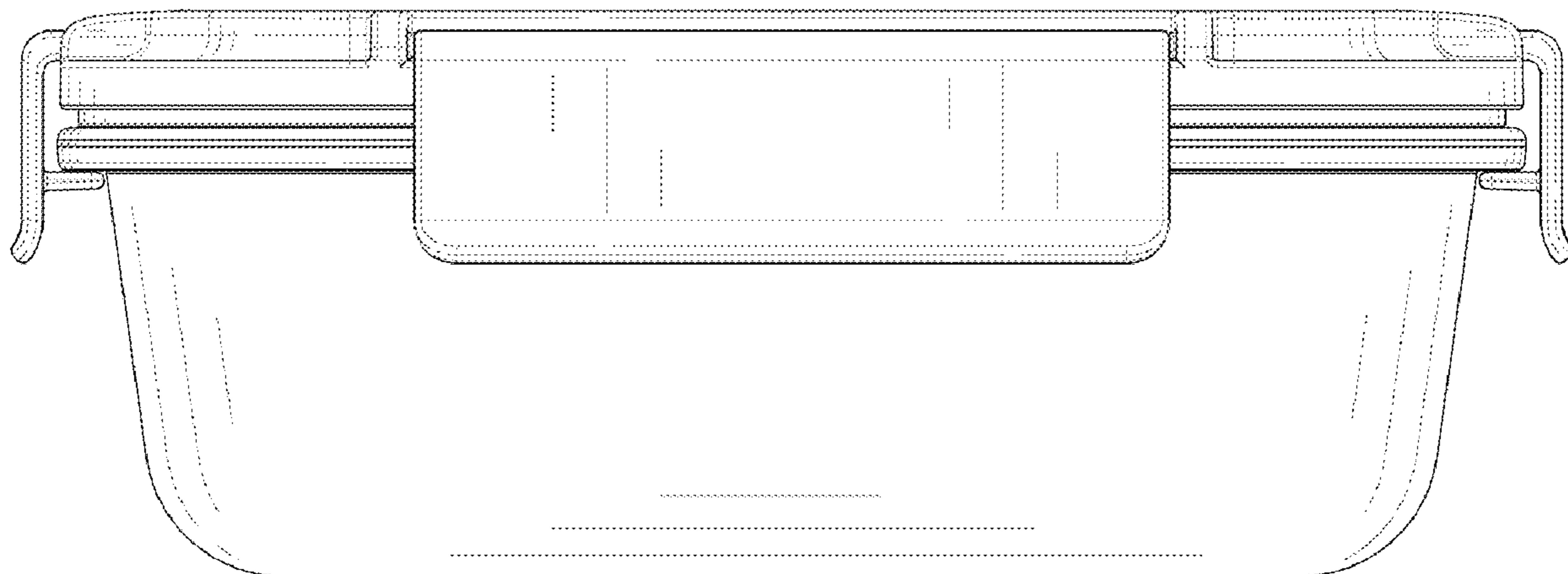
FIG. 6 is a bottom plan view thereof;

FIG. 7 is a perspective view of a food container showing my new design; and,

FIG. 8 is another perspective view thereof.

The broken lines in the figures are for the purposes of illustrating portions of the food container, which form no part of the claimed design.

1 Claim, 8 Drawing Sheets



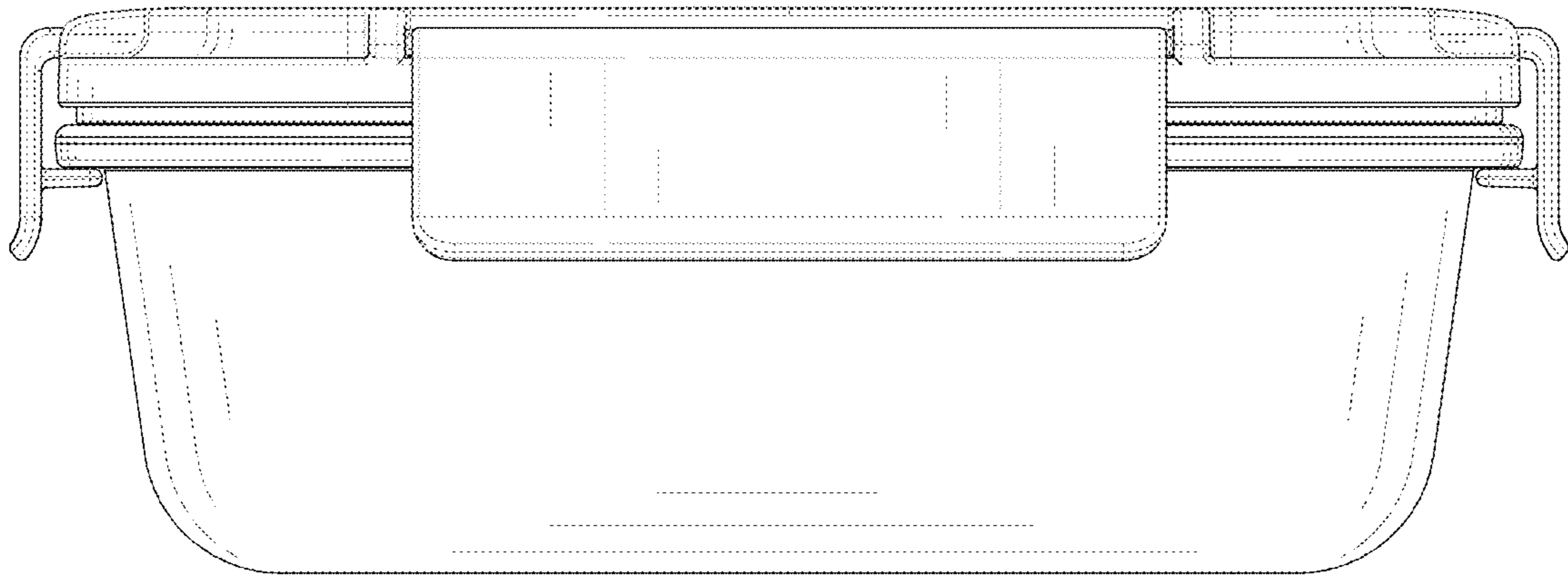


FIG. 1

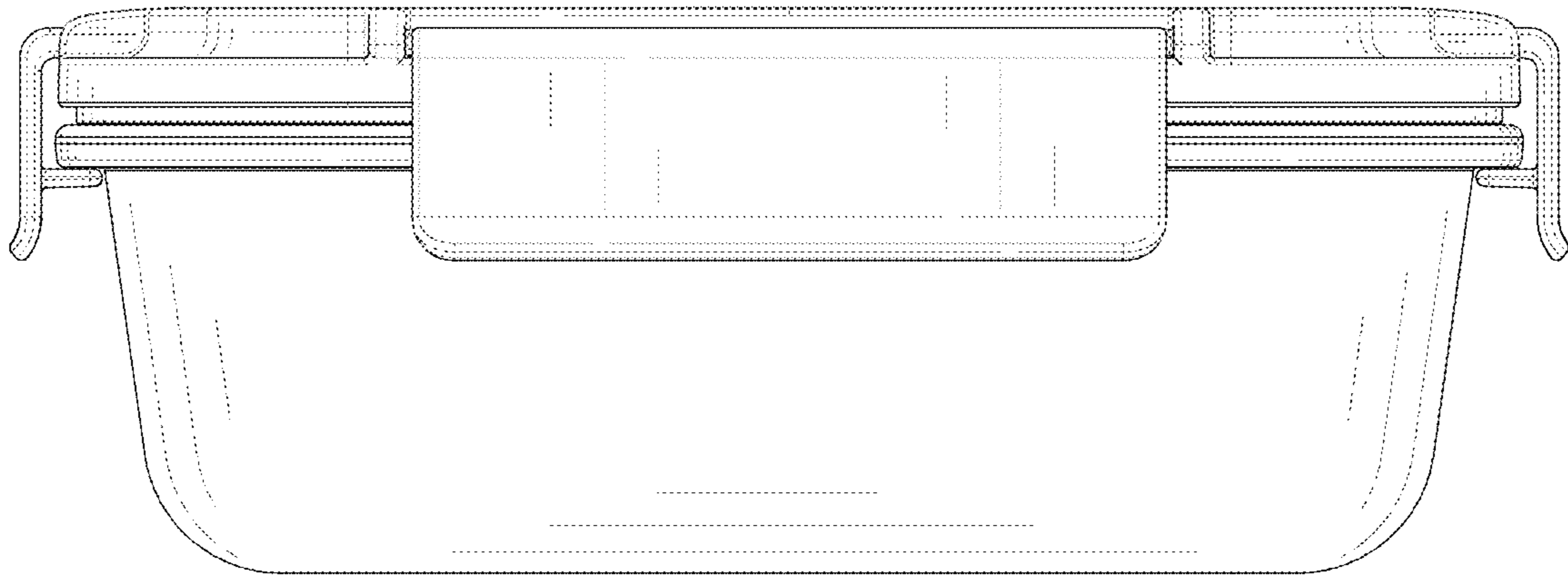


FIG. 2

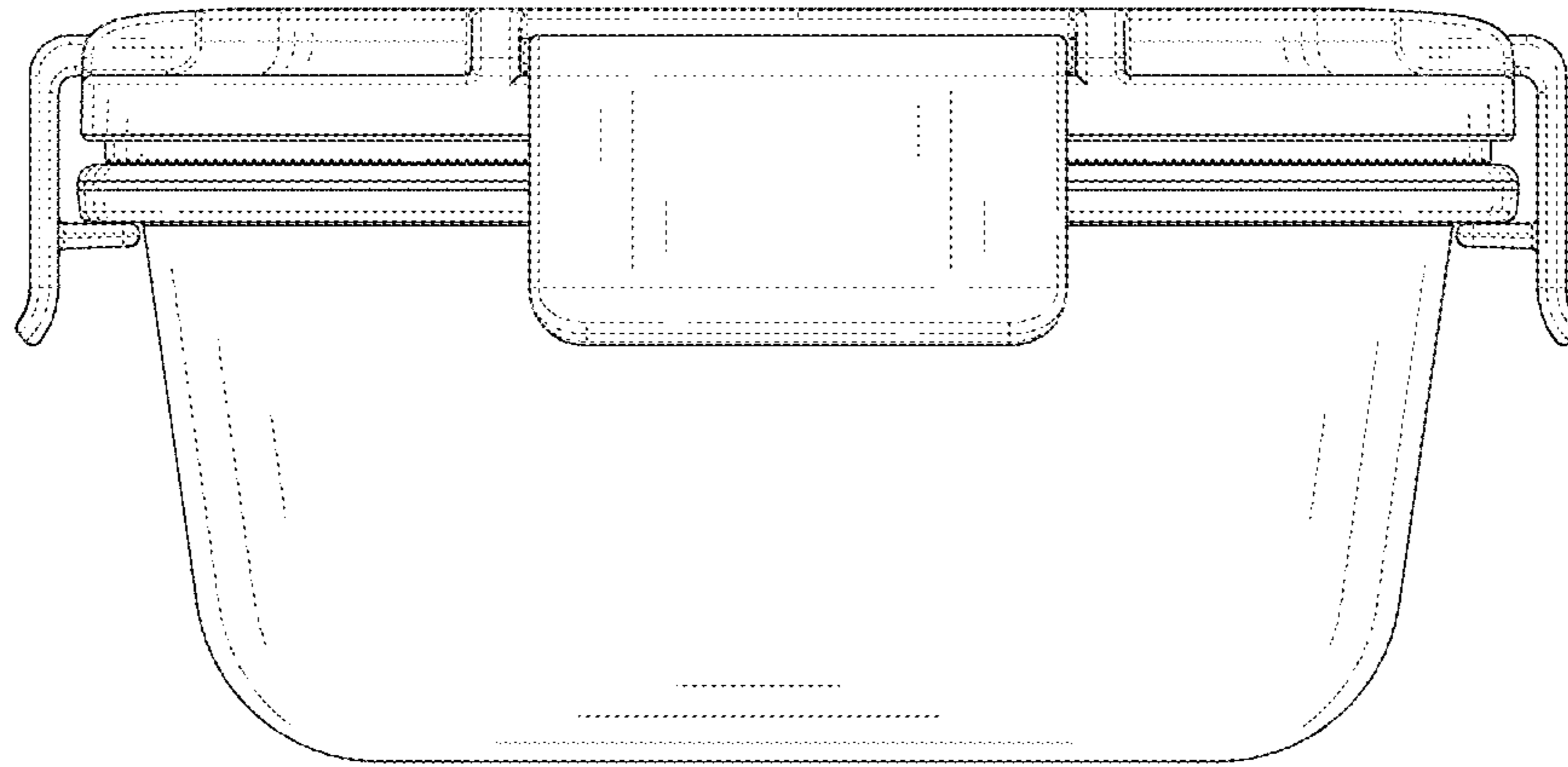


FIG. 3

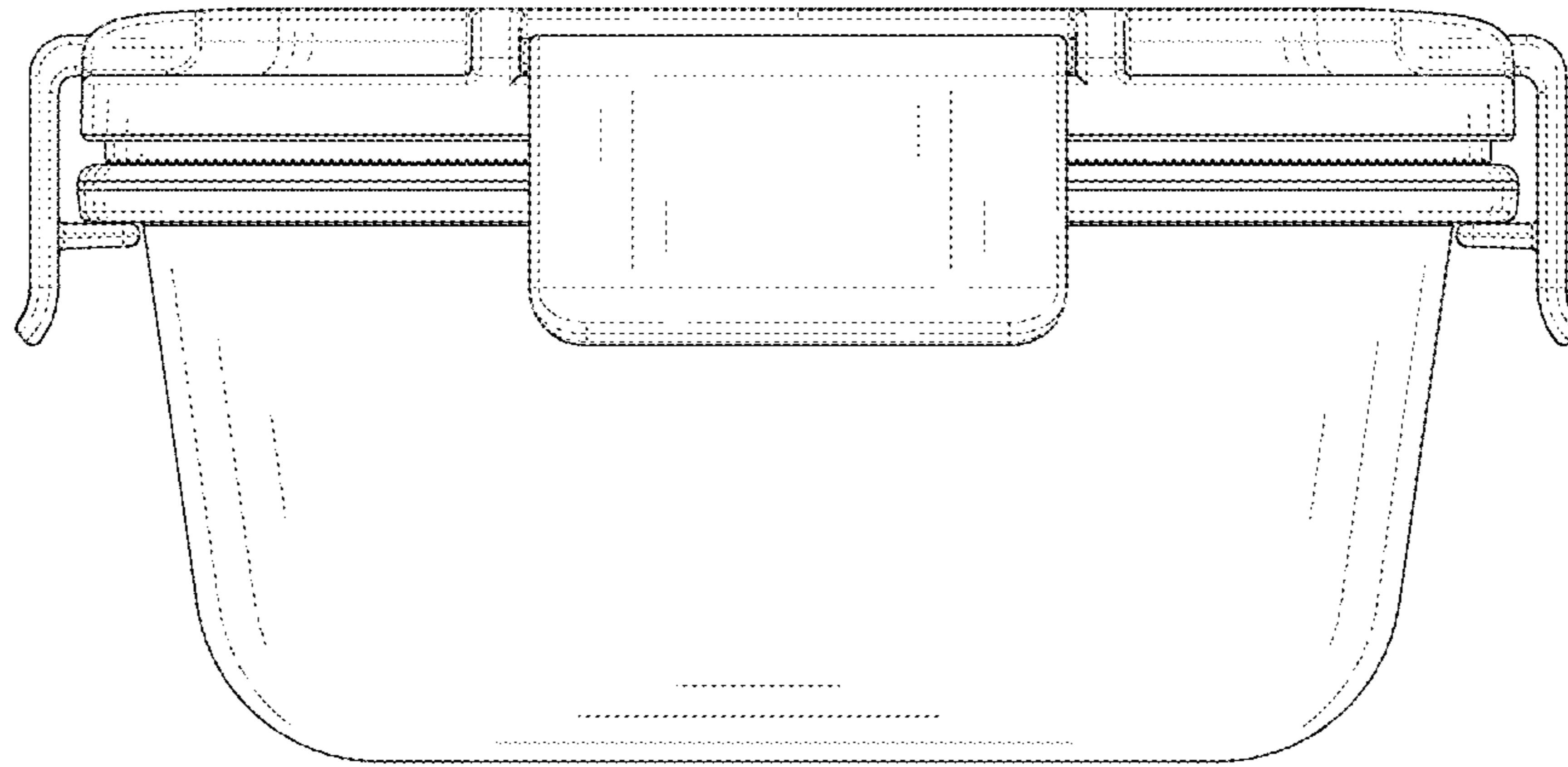


FIG. 4

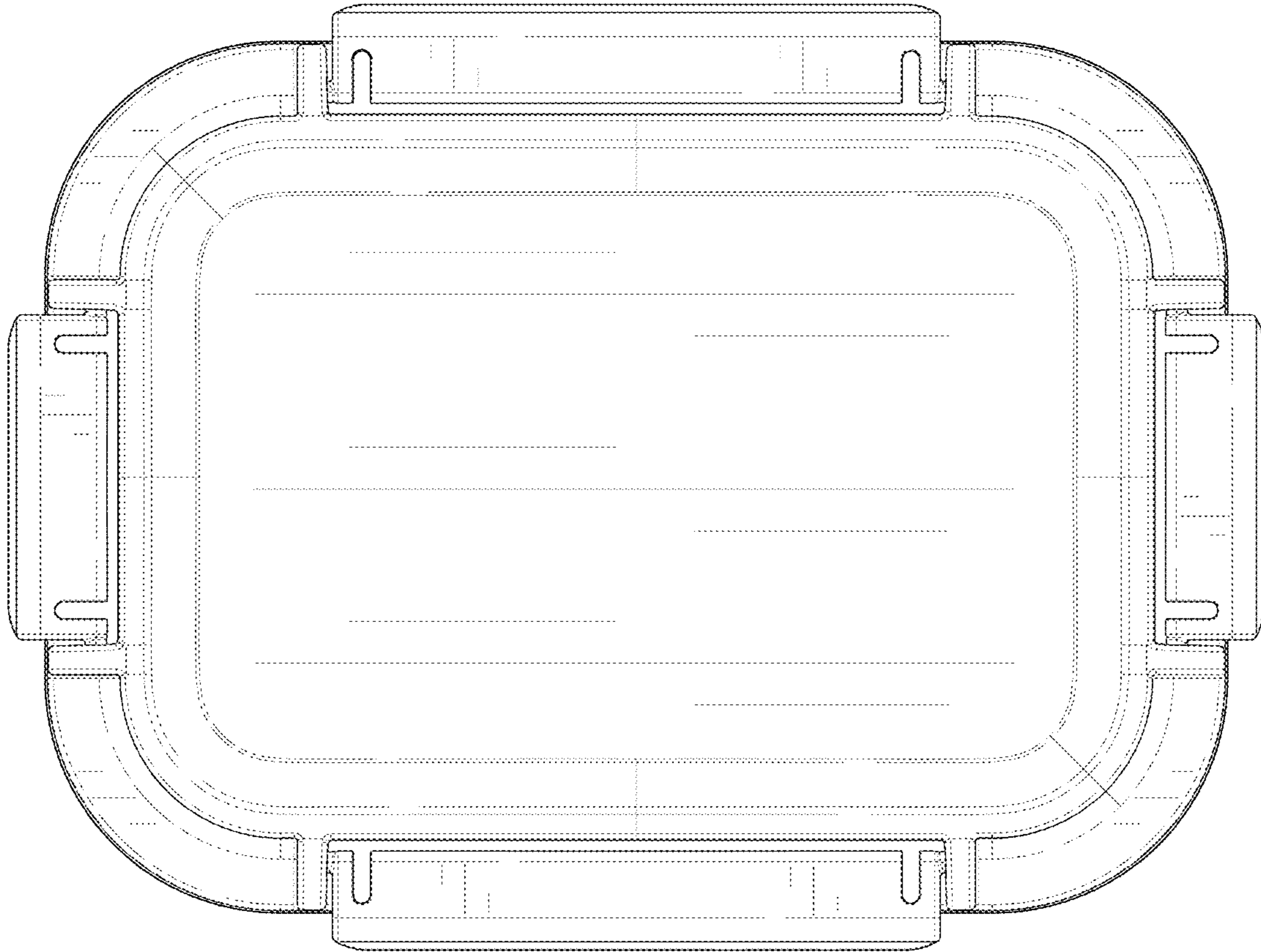


FIG. 5

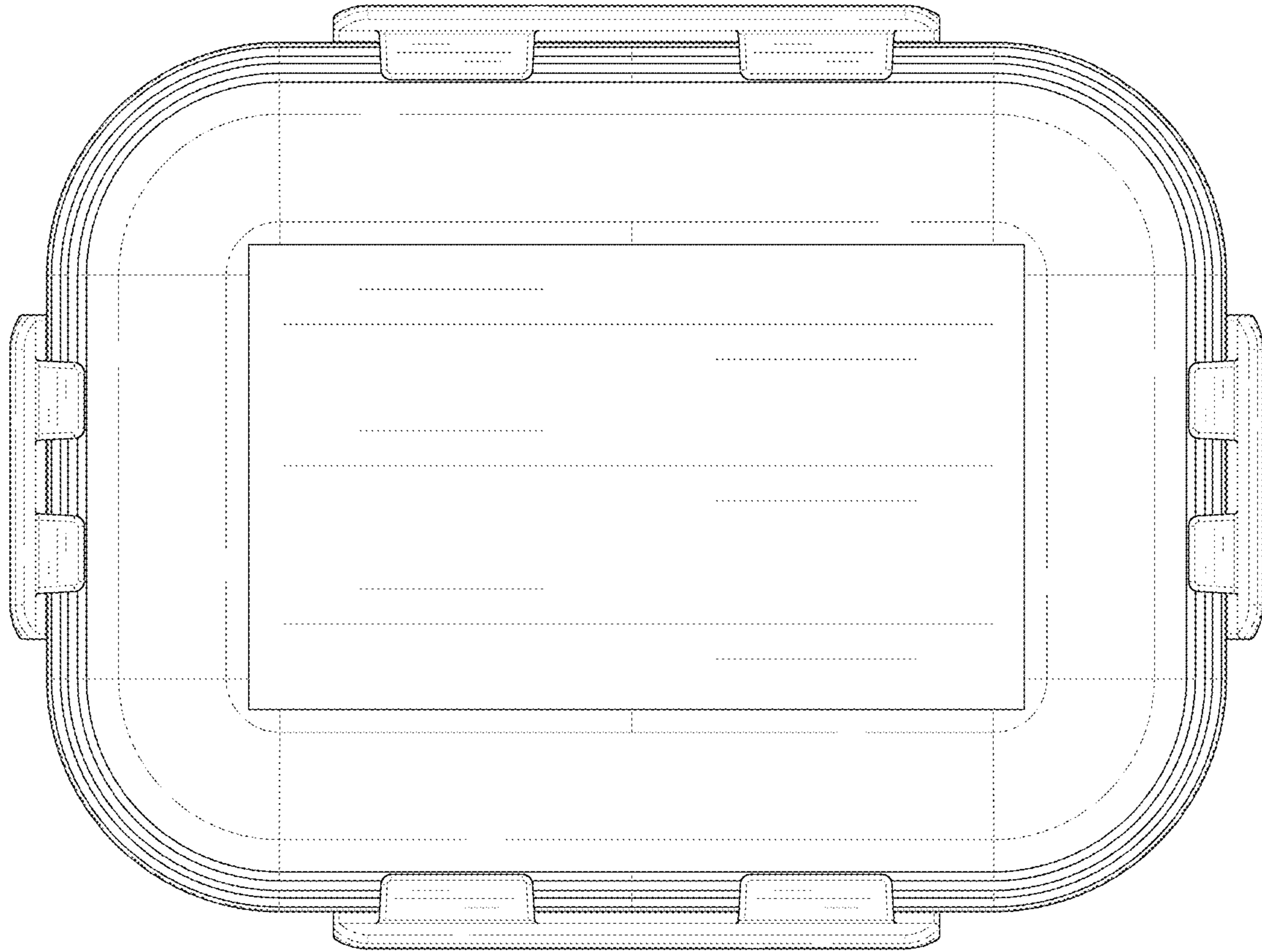


FIG. 6

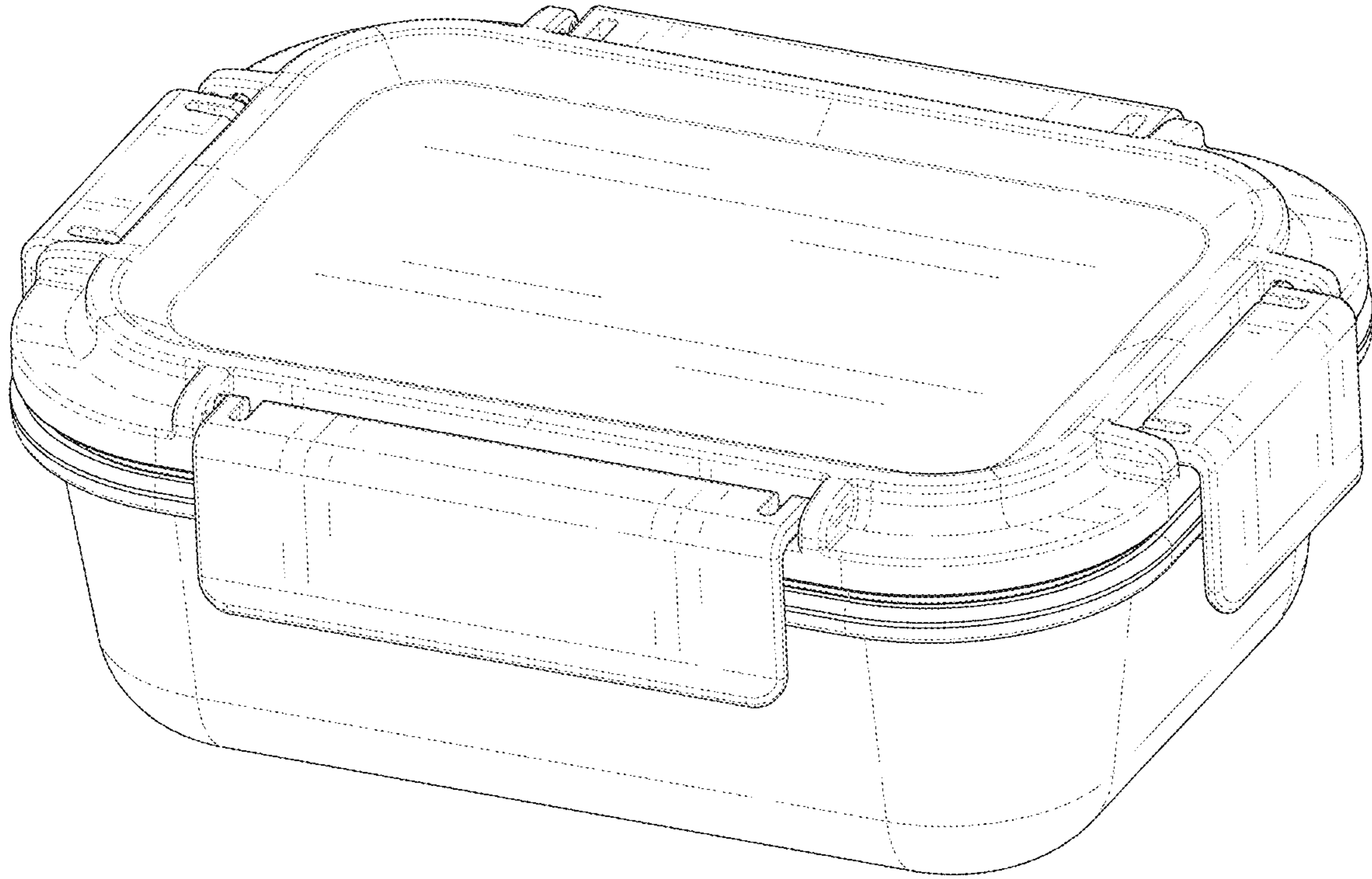


FIG. 7

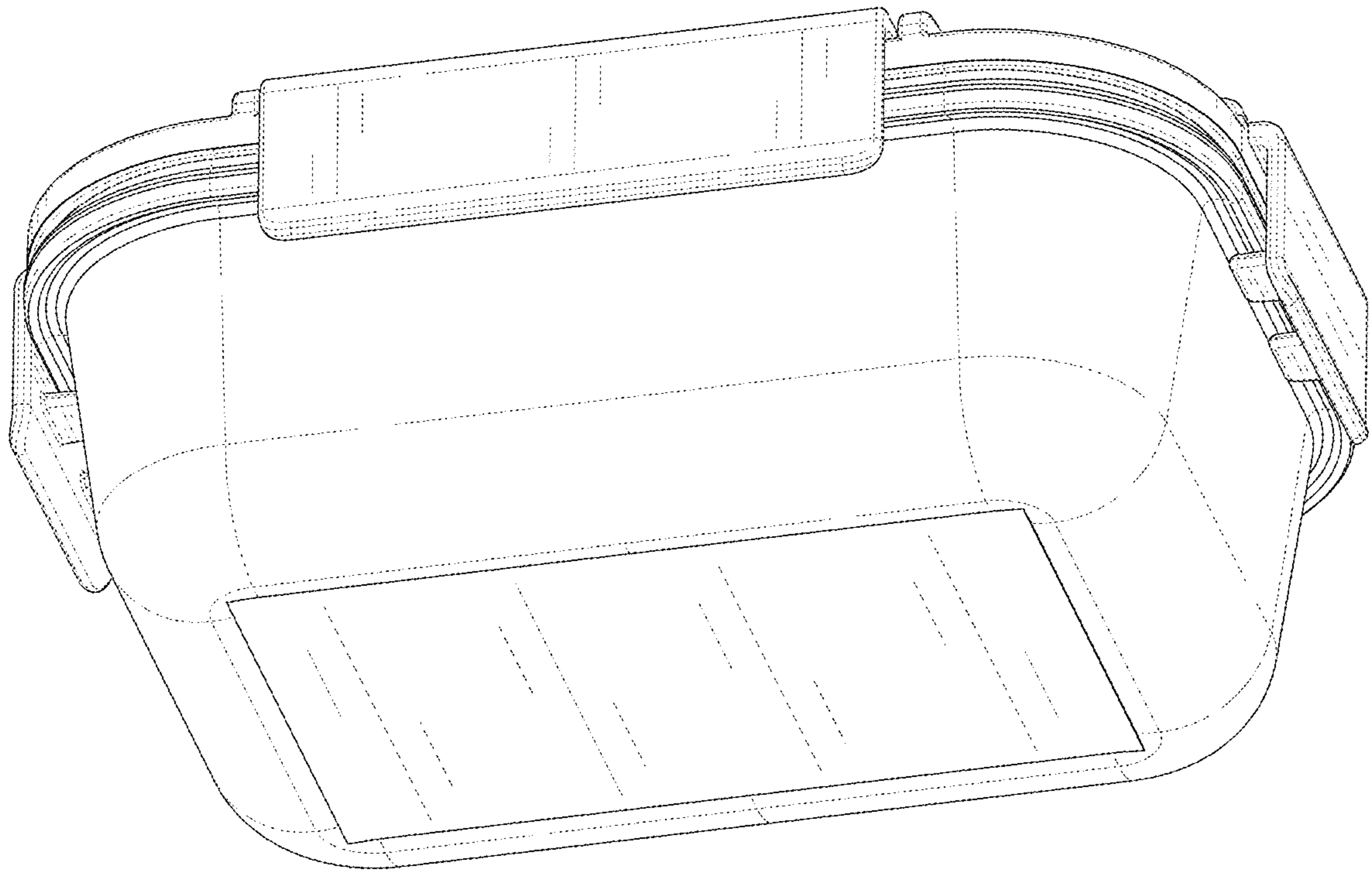


FIG. 8