



US00D981183S

(12) **United States Design Patent**
Chen

(10) **Patent No.:** **US D981,183 S**

(45) **Date of Patent:** **** Mar. 21, 2023**

(54) **WALL MOUNTED DRY FOOD DISPENSER**

D282,617 S * 2/1986 Hogan D7/308
D309,224 S * 7/1990 Rabin D6/515
D309,402 S * 7/1990 Morrow D7/589

(71) Applicant: **Xiamen Yishenger Trading Co., Ltd.**,
Xiamen (CN)

(Continued)

(72) Inventor: **Lumin Chen**, Xiamen (CN)

FOREIGN PATENT DOCUMENTS

(**) Term: **15 Years**

CN 304302145 * 9/2017
CN 306014988 * 8/2020

(21) Appl. No.: **29/798,000**

OTHER PUBLICATIONS

(22) Filed: **Jul. 5, 2021**

(51) **LOC (14) Cl.** **07-07**

(52) **U.S. Cl.**

USPC **D7/589**; D6/515

(58) **Field of Classification Search**

USPC ... D7/589, 590, 592-597, 600.1-600.2, 602,
D7/630-632, 635, 640, 707; D6/520,
D6/524-525, 677.2, 692.4-692.5, 696.3;
D9/756, 761, 737-739, 741, 747, 758;
D3/292, 294-295, 905

CPC A47F 1/10; A47F 2001/103

See application file for complete search history.

Dry Food Storage Container, Conworld, amazon.com, published by Conworld, first available on Mar. 28, 2021 © 1996-2022 Amazon.com, Inc., online, site visited Mar. 10, 2022. Available at URL: https://www.amazon.com/Conworld-Dispenser-Organization-Dispenser-Wall-Mounted-Beadsdp/B08XQ1W1LO/ref=sr_1_1?%EF%BC%883000ml%EF%BC%89/crid=1L3W4OG3CIGK5&keywords=wall+mounted+food+dispenser&qid=1646952798&sprefix=wall+mounted+food+dispense%2Caps%2C77&sr=8-1 (Year: 2021).*

(Continued)

Primary Examiner — Holly E Thurman

Assistant Examiner — Altaira J Swangin

(74) *Attorney, Agent, or Firm* — Rमित Ranjit Kanakia

(57)

CLAIM

The ornamental design for a wall mounted dry food dispenser, as shown and described.

(56) **References Cited**

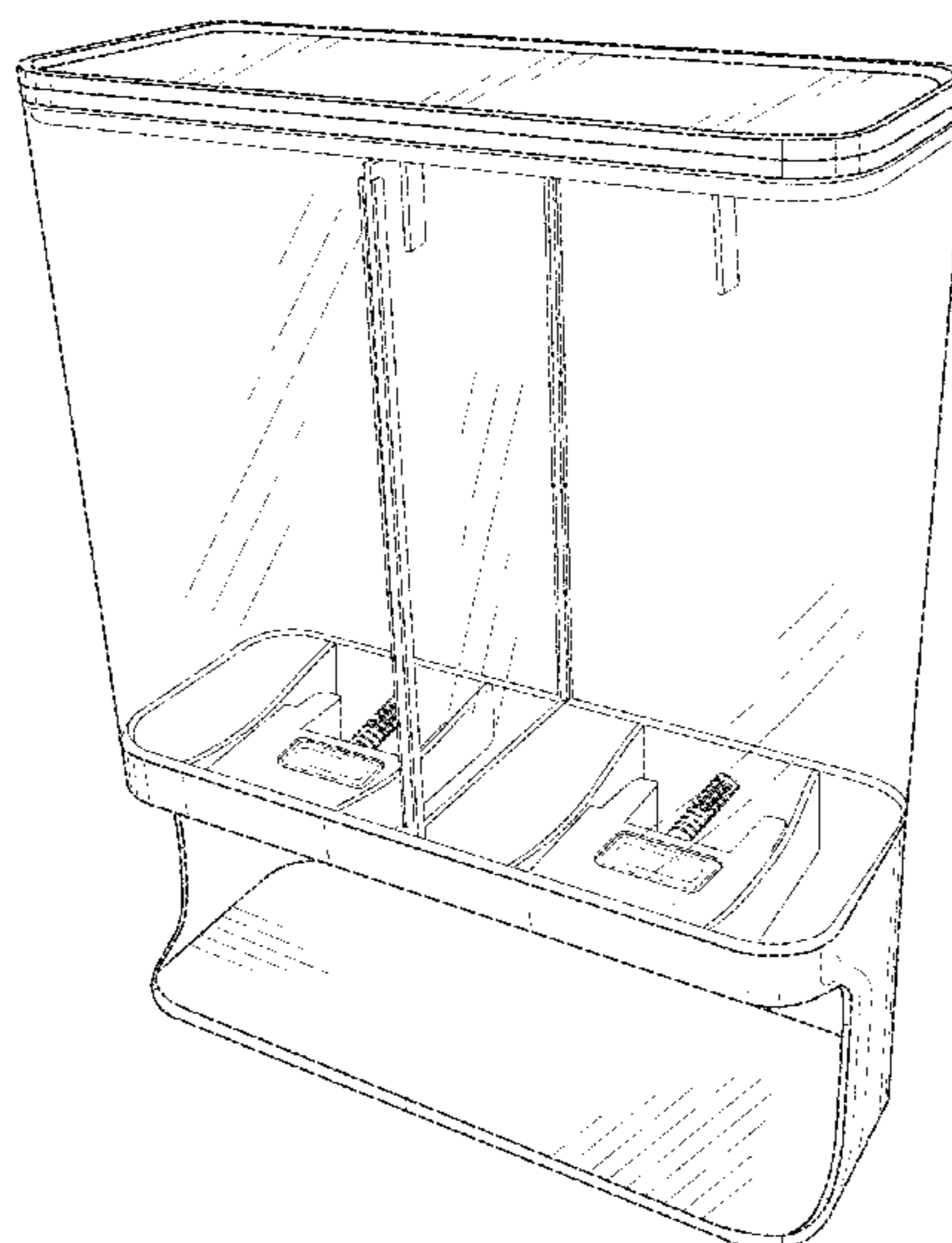
U.S. PATENT DOCUMENTS

D168,526 S * 12/1952 Turnbull D6/516
D169,901 S * 6/1953 Goldberg D7/589
D201,518 S * 6/1965 Hunt D7/635
D206,818 S * 1/1967 Fraser D7/502
3,326,413 A * 6/1967 Anderson A47J 47/12
221/250
3,854,624 A * 12/1974 Canci A47J 47/14
221/96
3,938,701 A * 2/1976 Jones A47G 21/12
221/202
4,059,181 A * 11/1977 Greenfield, Jr. G07F 13/06
194/242
D263,354 S * 3/1982 Jones D6/524
D276,683 S * 12/1984 Silva D7/635
4,513,885 A * 4/1985 Hogan G01F 11/125
222/105

DESCRIPTION

FIG. 1 is a perspective view of a wall mounted dry food dispenser showing my new design;
FIG. 2 is a front view thereof;
FIG. 3 is a rear view thereof;
FIG. 4 is a right side view thereof;
FIG. 5 is a left side view thereof;
FIG. 6 is a top view thereof; and,
FIG. 7 is a bottom view thereof.
The broken lines in the drawings depict portions of the wall mounted dry food dispenser that form no part of the claimed design.

1 Claim, 5 Drawing Sheets



(56)

References Cited

U.S. PATENT DOCUMENTS

5,230,300 A * 7/1993 Mezinsky A01K 5/0291
119/51.11
D345,085 S * 3/1994 Sewell D7/589
D390,753 S * 2/1998 Danemayer D7/589
D408,667 S * 4/1999 Curry D7/589
D430,423 S * 9/2000 Sicignano, III D6/517
D475,227 S * 6/2003 Clarke D6/520
D482,914 S * 12/2003 Prasad D6/520
D531,457 S * 11/2006 Gold D7/589
D545,098 S * 6/2007 Wolfson D6/520
D546,605 S * 7/2007 Wolfson D6/520
D551,000 S * 9/2007 Romano D6/520
7,690,518 B2 * 4/2010 Fincher A47F 1/12
211/59.2
D651,042 S 12/2011 Petersen
D680,858 S 4/2013 Clark
D684,013 S 6/2013 Vance
9,187,234 B2 * 11/2015 Codoni B65D 83/005
9,445,610 B1 * 9/2016 Rouillard A23B 7/04
D820,643 S 6/2018 Mitchell et al.
D877,530 S * 3/2020 Sperry D6/520
RE48,104 E * 7/2020 Jongen A47F 13/00
D891,188 S 7/2020 Mitchell et al.
D899,195 S 10/2020 Reiser
10,799,036 B2 * 10/2020 Goltz A47F 1/10
2005/0247733 A1 * 11/2005 Bailey B07B 13/16
222/189.02
2014/0117036 A1 * 5/2014 Smith G07F 11/10
221/1

2019/0191893 A1 * 6/2019 Rajasekaran A47F 1/10
2019/0223626 A1 * 7/2019 Patterson A47F 1/10
2020/0172353 A1 * 6/2020 Jain G01F 13/008
2021/0347583 A1 * 11/2021 Snediker G01F 13/001
2021/0361125 A1 * 11/2021 Racioppi A47K 17/00

OTHER PUBLICATIONS

150 Oz Rice Dispenser, JZY Store, amazon.com, published by JZY Store, first available on Dec. 18, 2020 © 1996-2022 Amazon.com, Inc., online, site visited Mar. 10, 2022. Available at URL: https://www.amazon.com/Wall-Mounted-Dry-Food-Dispenser/dp/B08NCPLLCH/ref=sr_1_18?crid=20J82408U6154&keywords=food+dispenser&qid=1646954955&srefix=food+dispenser%2Caps%2C122&sr=8-18 (Year: 2020).*

Laundry Dispenser, Lekesky, amazon.com, published by Lekesky, first available on Jul. 20, 2020 © 1996-2022 Amazon.com, Inc., online, site visited Jul. 26, 2022. Available at URL: https://www.amazon.com/dp/B08DNT3TZB?ref=myi_title_dp (Year: 2020).*

Wall Mounted Dry Food Dispenser, Laundry Dispenser, Hampers for Laundry with Lid, Laundry room Organization, for Laundry Detergent, Scent Booster, Beans, Rice, amazon.com, Jul. 27, 2020, leke, https://www.amazon.com/dp/B08DNT3TZB?ref=myi_title_dp (Last accessed: Jun. 9, 2022).

Laundry Dispenser, Hampers for Laundry with Lid, Laundry room Organization, for Laundry Detergent, Scent Booster, Beans, Rice, Amazon.com, Jul. 27, 2020, leke, https://www.amazon.com/dp/B08DNT3TZB?ref=myi_title_dp (Last accessed: Jun. 9, 2022).

* cited by examiner

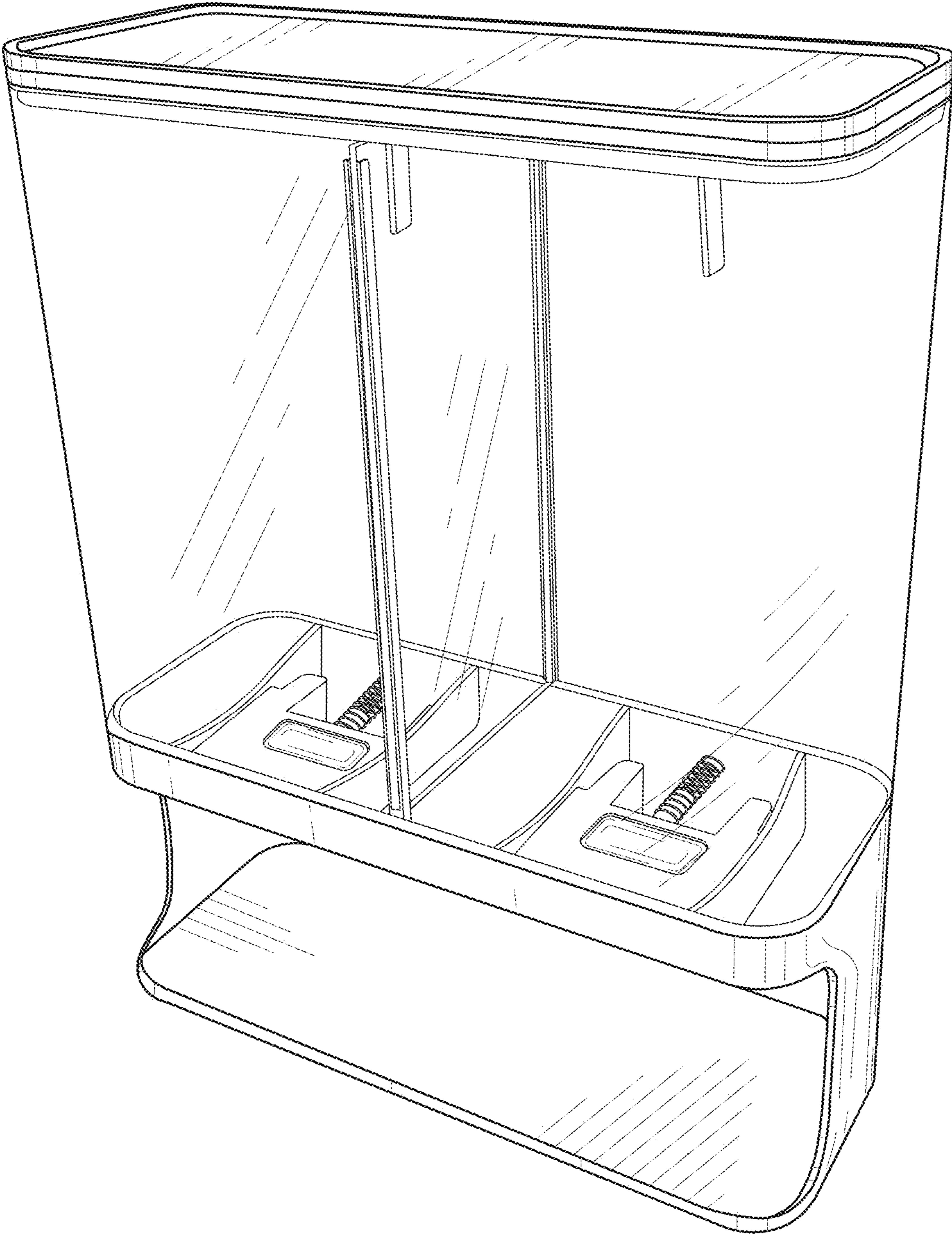


FIG. 1

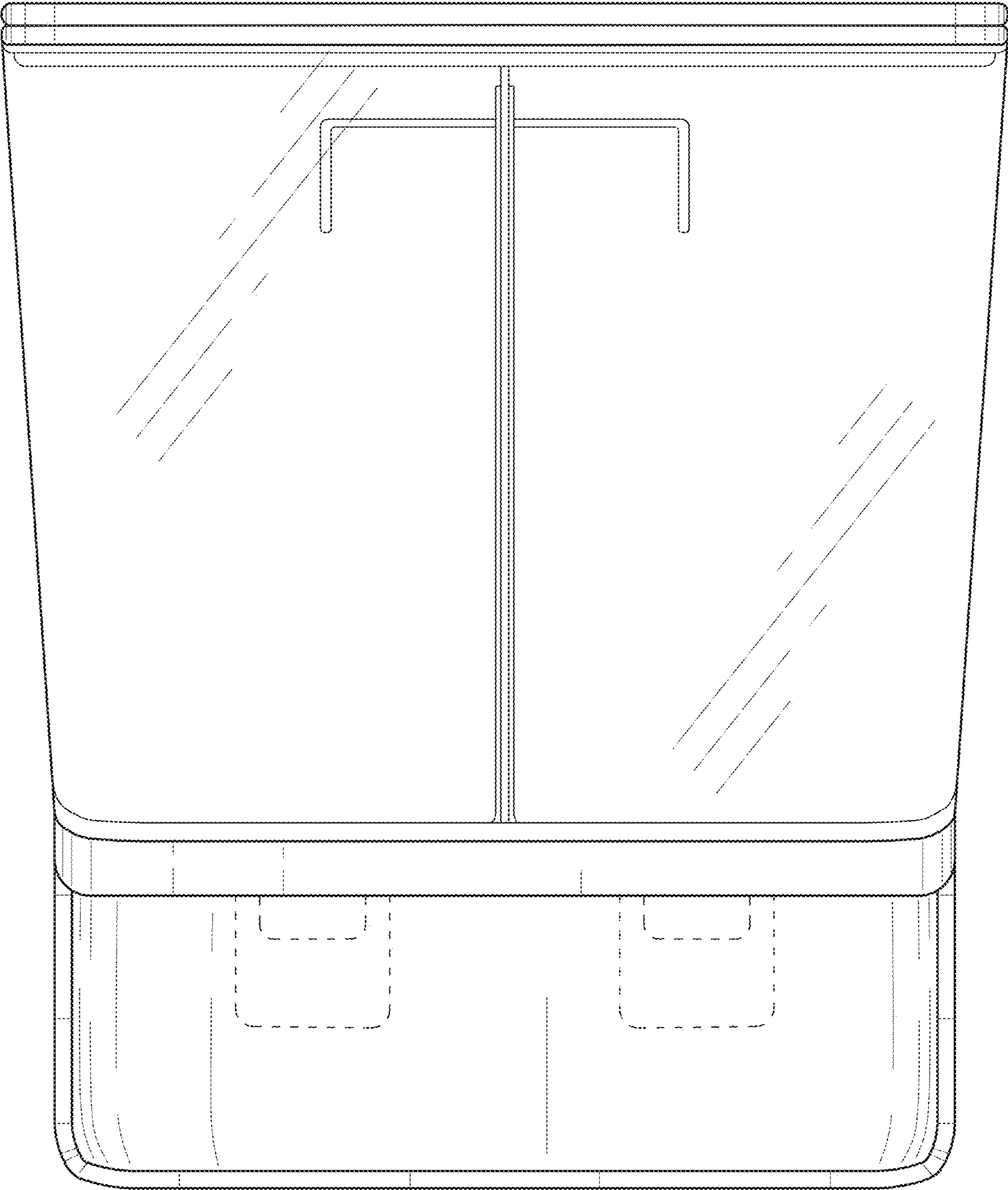


FIG. 2

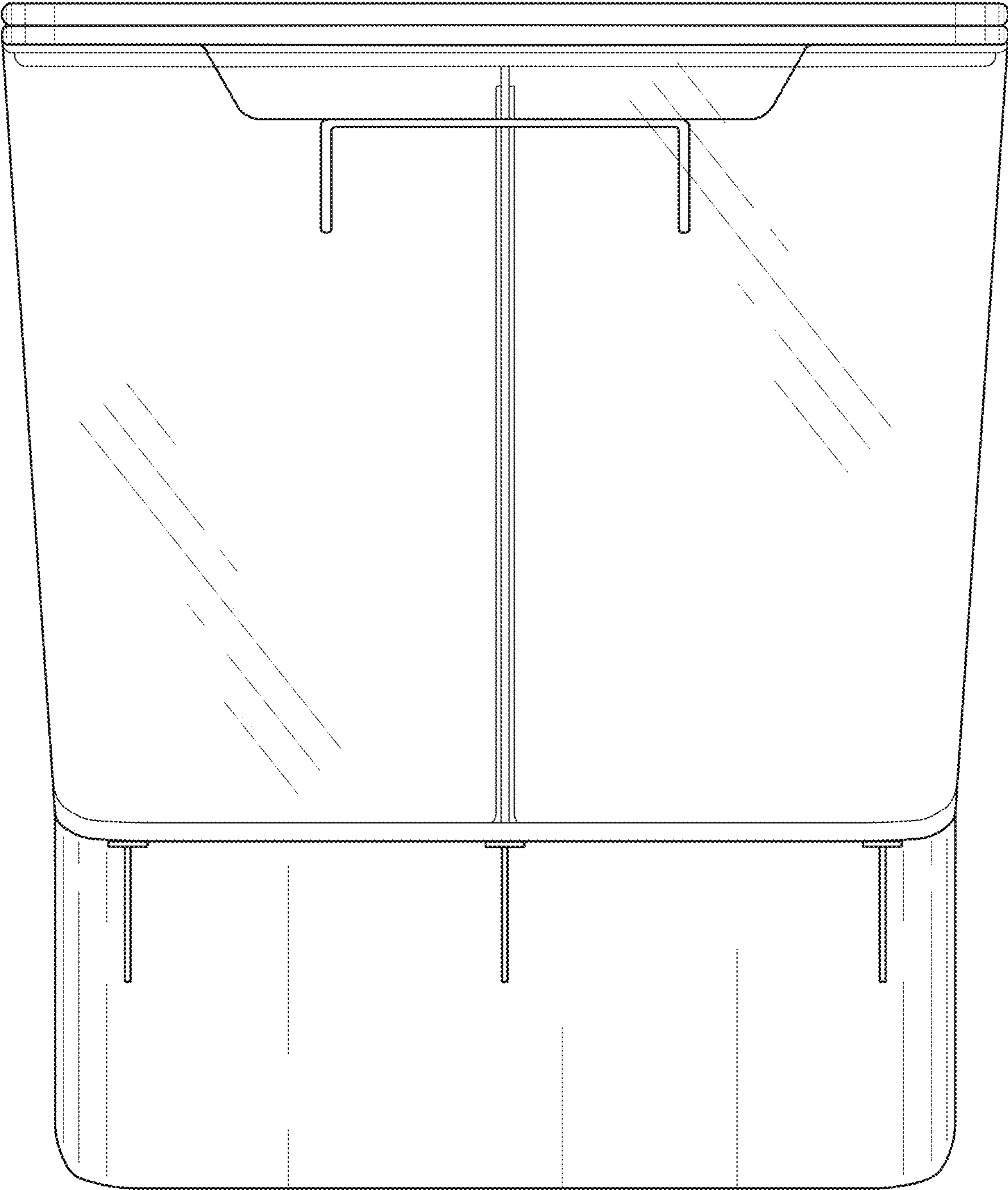


FIG. 3

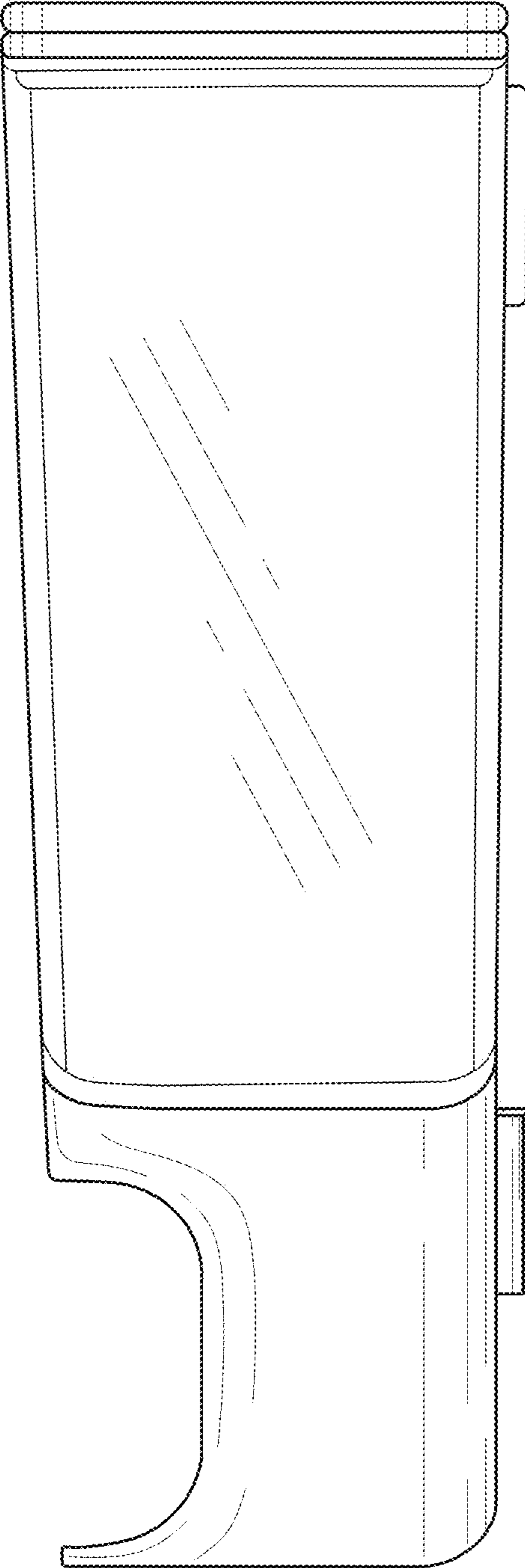


FIG. 4

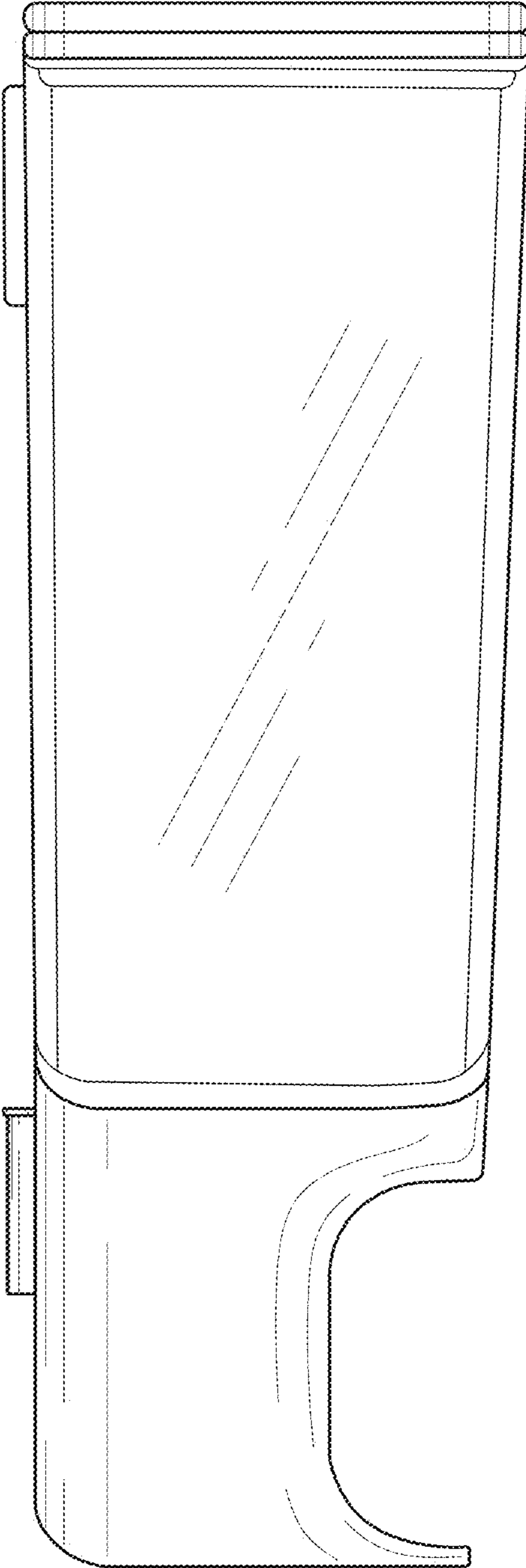


FIG. 5

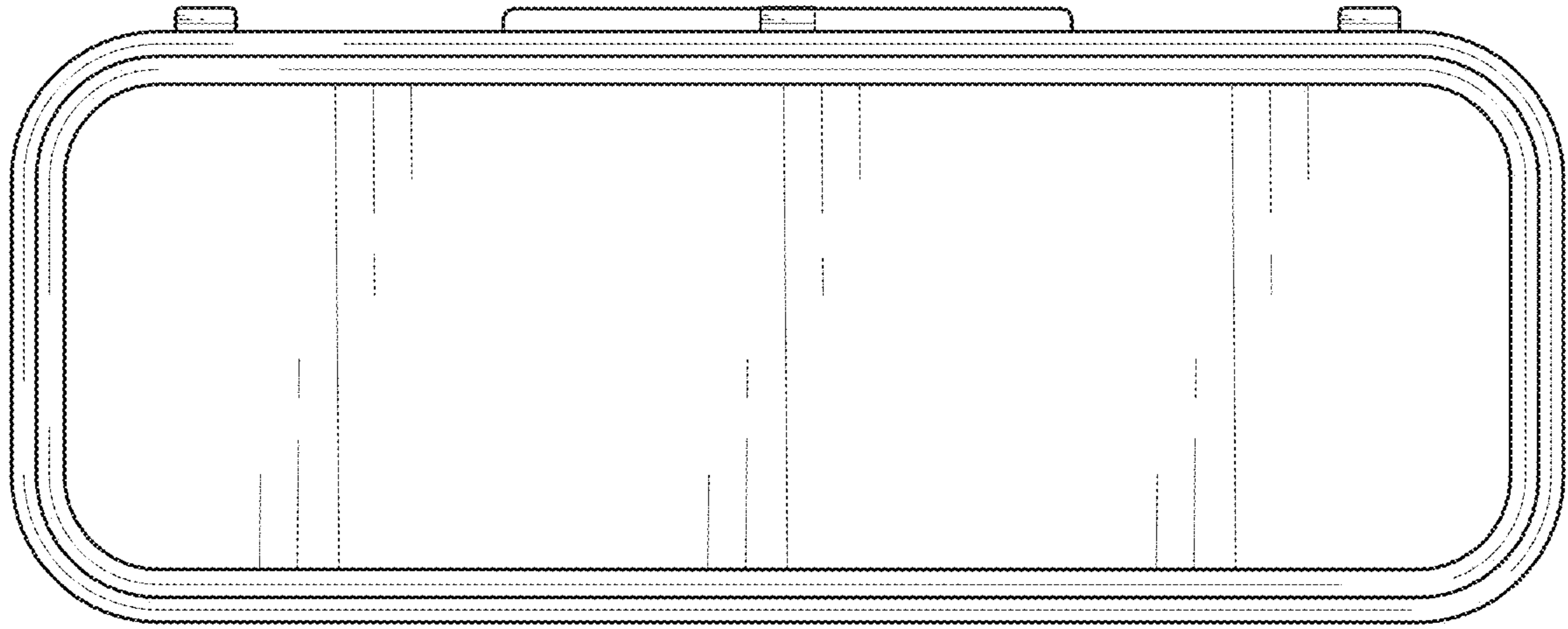


FIG. 6

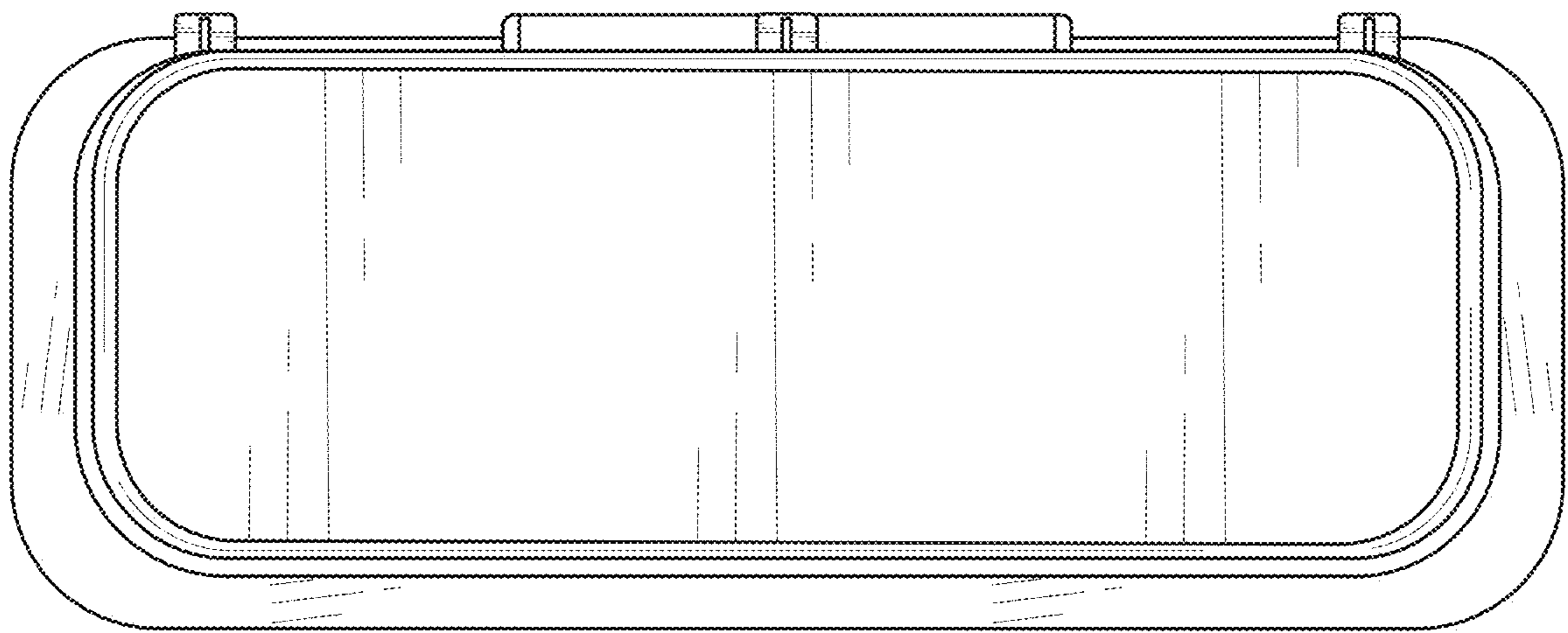


FIG. 7