



US00D981181S

(12) **United States Design Patent** (10) **Patent No.:** **US D981,181 S**
Luo (45) **Date of Patent:** **** Mar. 21, 2023**

(54) **ROSE-SHAPED WINE GLASS**
(71) Applicant: **Xiaofu Luo**, Zhangjiang (CN)
(72) Inventor: **Xiaofu Luo**, Zhangjiang (CN)

D362,798 S * 10/1995 Porgesz D9/663
D373,743 S * 9/1996 Bright D11/117
D380,122 S * 6/1997 Wong D7/537
(Continued)

(**) Term: **15 Years**
(21) Appl. No.: **29/840,302**

FOREIGN PATENT DOCUMENTS
CN 303294899 * 7/2015
CN 305330277 * 9/2019
HK 0802682-0001 * 11/2008

(22) Filed: **May 27, 2022**
(51) **LOC (14) Cl.** **07-01**
(52) **U.S. Cl.**
USPC **D7/518**
(58) **Field of Classification Search**
USPC D7/506, 514, 515, 518, 521, 522, 524,
D7/525, 539, 544, 558, 559, 593, 594,
D7/599, 606; D9/663; D11/117, 149,
D11/157; D26/19; D27/165, 182, 192
CPC A47G 19/2205; A47G 19/2227; A47G
2019/2238; A47G 23/0208; A47G
2400/045

OTHER PUBLICATIONS

JEC Tech, "Glass Baron Love's Perfect Rose," Mar. 23, 2018,
Amazon.com, www.amazon.com/Glass-Baron-Loves-Perfect-Rose/
dp/B0776V9DSN (Year: 2018).*

(Continued)

Primary Examiner — Joseph Kukella
Assistant Examiner — Arva P Adams

(57) **CLAIM**

The ornamental design for a rose-shaped wine glass, as shown and described.

DESCRIPTION

FIG. 1 is a front and top perspective view of a rose-shaped wine glass, showing my new design;
FIG. 2 is a front elevation view thereof;
FIG. 3 is a rear elevation view thereof;
FIG. 4 is a left side elevation view thereof;
FIG. 5 is a right side elevation view thereof;
FIG. 6 is a top plan view thereof;
FIG. 7 is a bottom plan view thereof; and,
FIG. 8 is an enlarged view of a portion indicated with numeric 8 in FIG. 1.

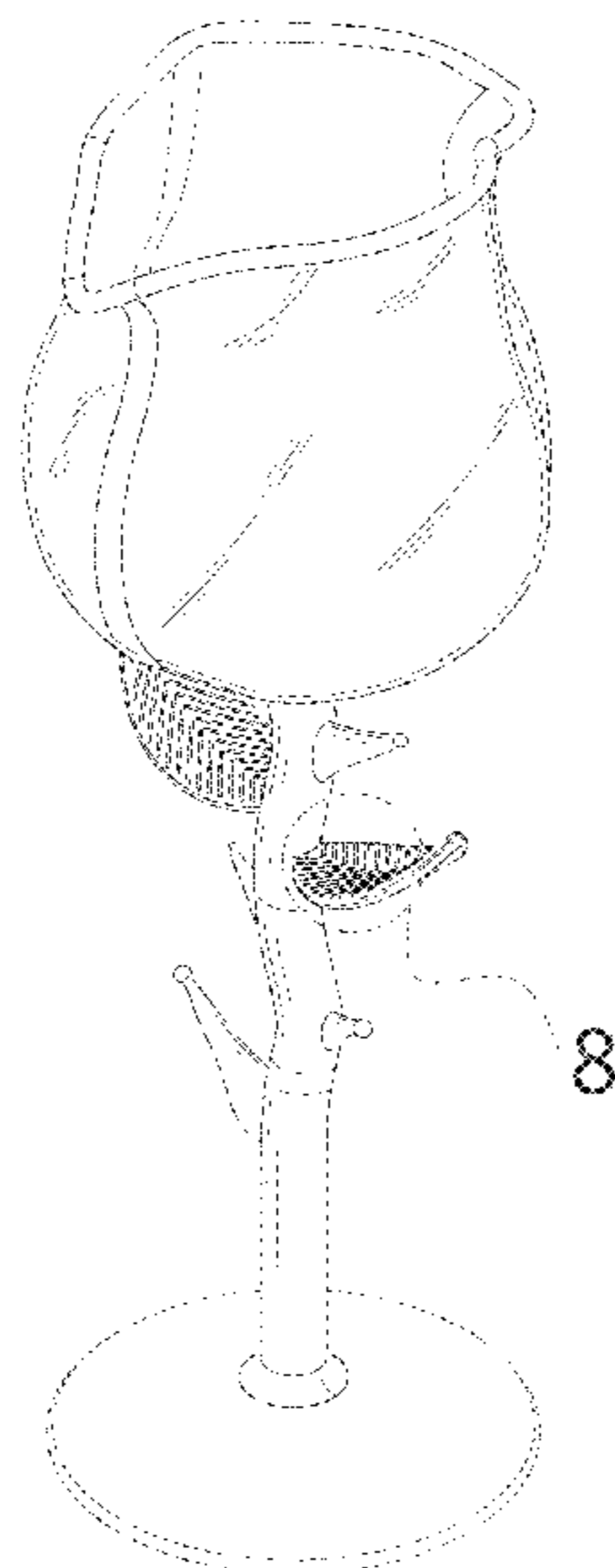
The broken lines in the figures illustrate portions of the rose-shaped wine glass that form no part of the claimed design. The dash dot dash lines in FIGS. 1 and 8 are for the purpose of depicting the boundary lines of the enlarged view and form no part of the claimed design.

1 Claim, 8 Drawing Sheets

(56) **References Cited**

U.S. PATENT DOCUMENTS

D28,734 S * 5/1898 Muller D26/101
D48,809 S * 4/1916 Baldwin D7/518
D81,351 S * 6/1930 Samuels D6/674
D98,323 S * 1/1936 Heidrich D7/518
D115,520 S * 7/1939 Moreau D7/537
D115,521 S * 7/1939 Moreau D7/537
D178,265 S * 7/1956 Sanger A47G 19/24
D27/165
2,788,918 A * 4/1957 Davis A47G 19/24
222/142.3
3,023,540 A * 3/1962 Schwab A01M 3/02
D22/124
D208,421 S * 8/1967 Frazier, Jr. D26/11
D248,574 S * 7/1978 Graham A01M 3/02
D27/167



(56)

References Cited

U.S. PATENT DOCUMENTS

D380,646 S * 7/1997 Wilson D7/518
D380,673 S * 7/1997 Siripreedabhakd D9/663
D604,106 S * 11/2009 Gold D7/567
D675,126 S * 1/2013 Hauskins A47G 19/2227
D11/117
D779,274 S * 2/2017 Rashid D7/525
D805,354 S 12/2017 Bielawski
D895,478 S * 9/2020 Fu D11/117
2007/0062961 A1 * 3/2007 Rigas A47G 19/2227
220/703

OTHER PUBLICATIONS

Zxbaers, "Red Wine Glass, Rose Flower Shape Wine Glass," Dec. 8, 2020, Amazon.com, www.amazon.com/Glass-Flower-Cocktail-Goblet-Glasses/dp/B08PXZF944 (Year: 2020).*

Yunxinshengus, "Rose Flower Wine Glasses," Dec. 9, 2021, Amazon.com, www.amazon.com/dp/B09NBVNLF9?th=1 (Year: 2021).*

* cited by examiner

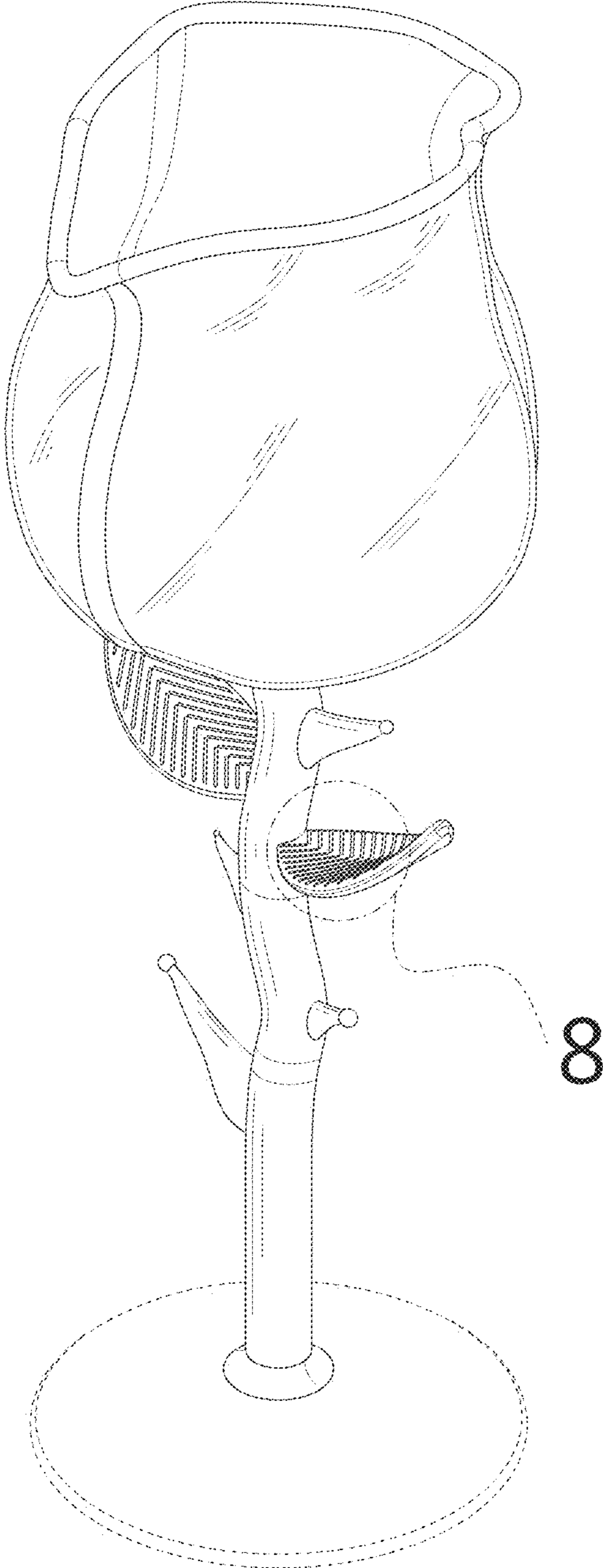


FIG. 1

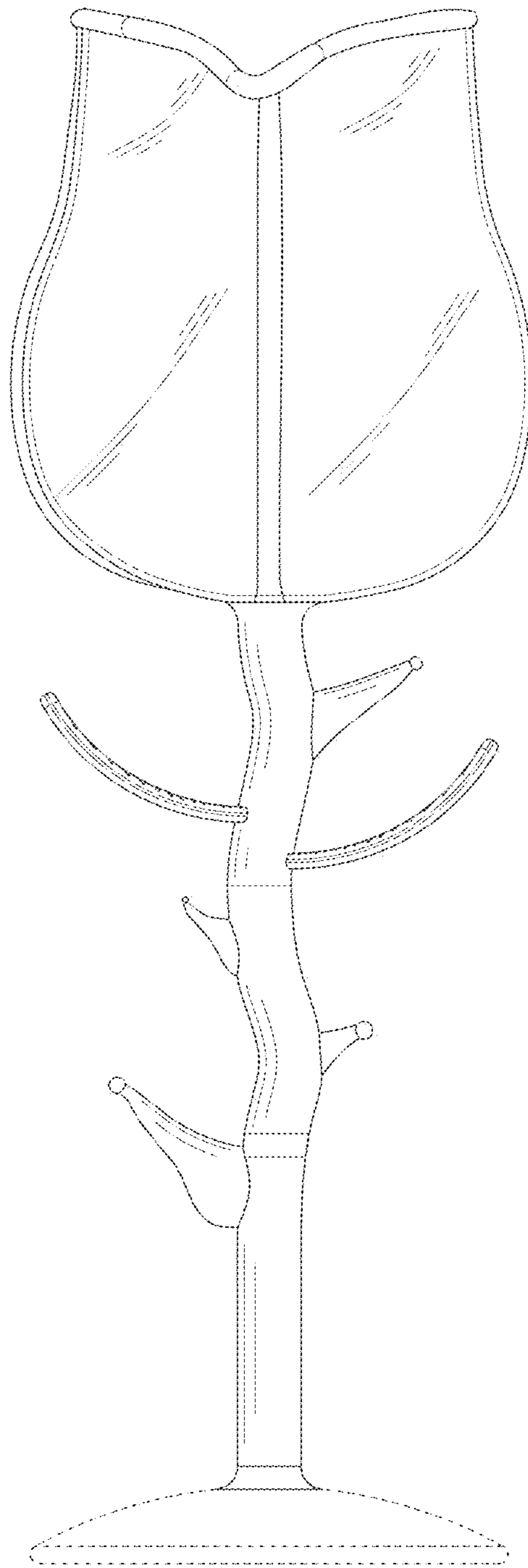


FIG. 2

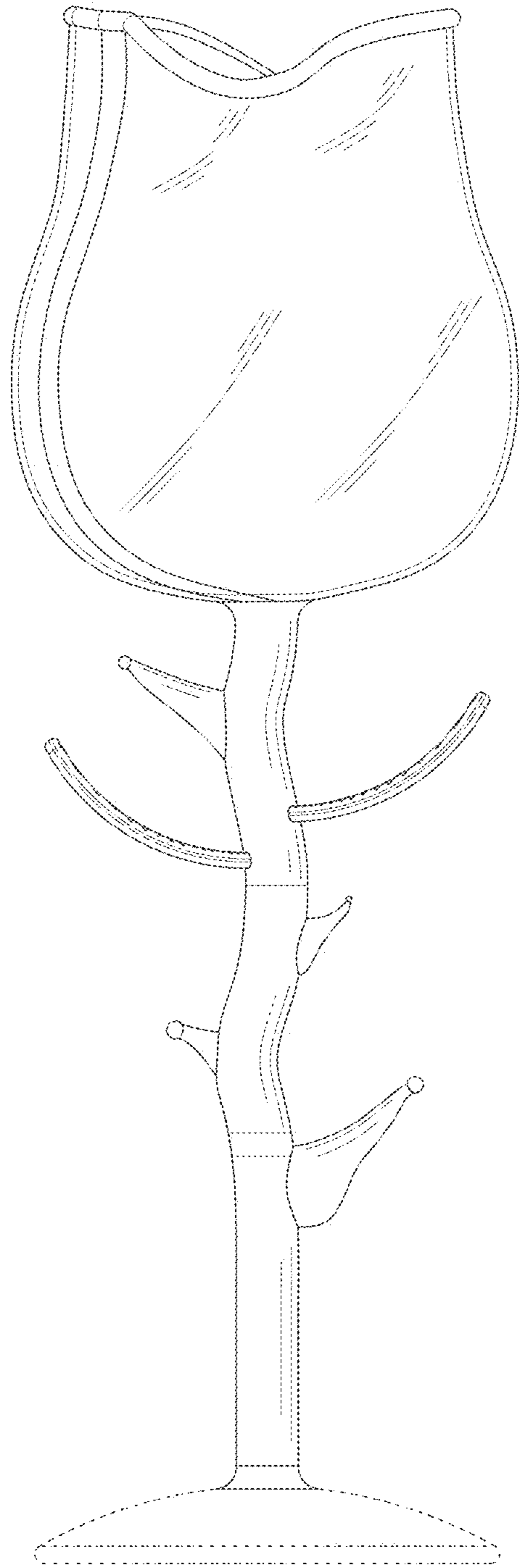


FIG. 3

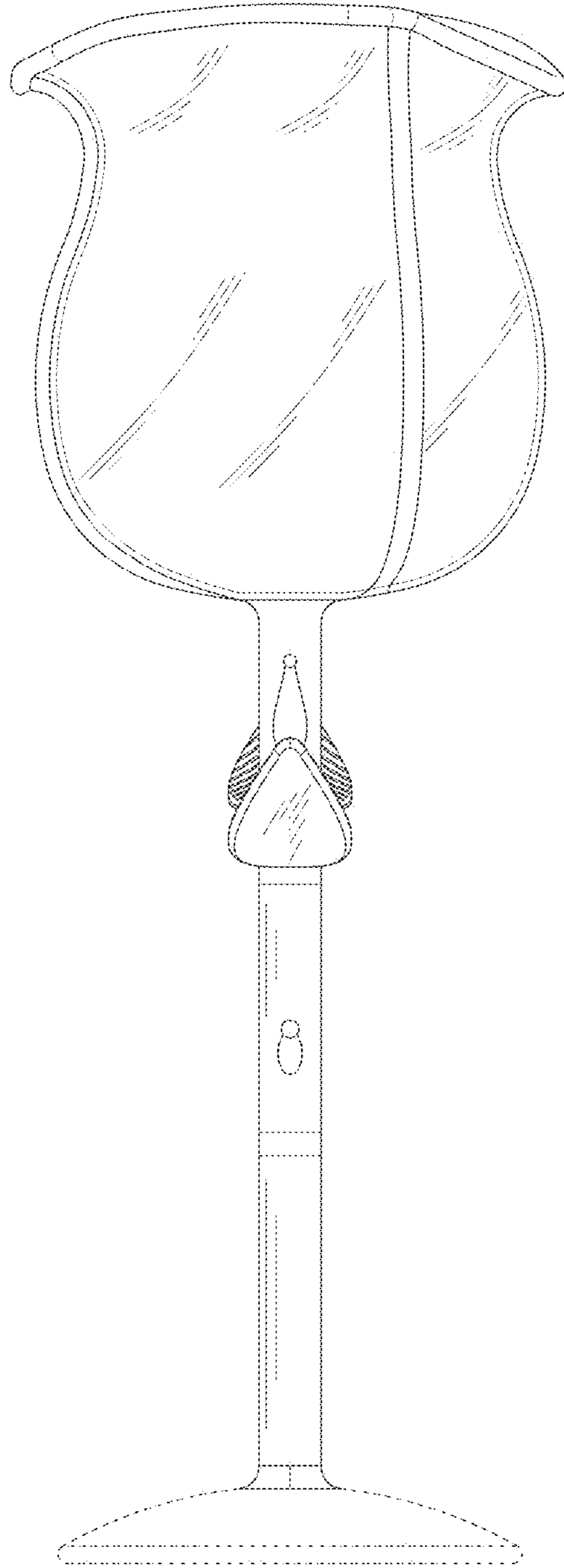


FIG. 4

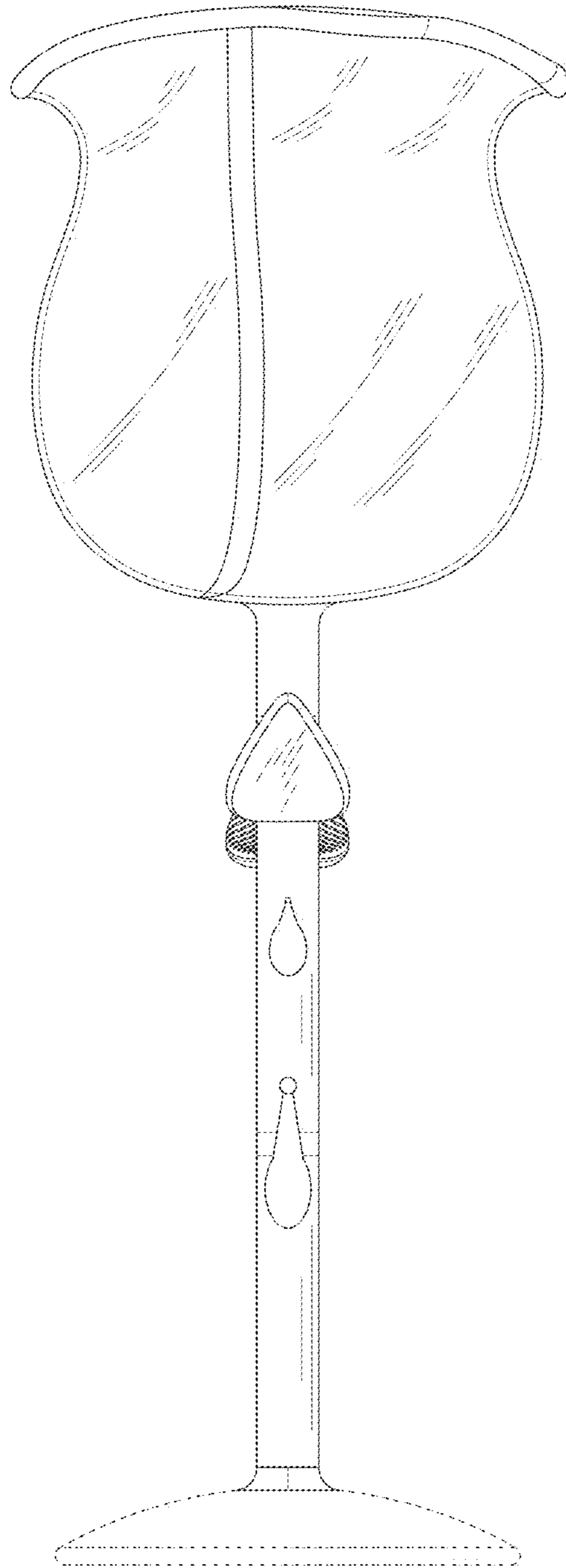


FIG. 5

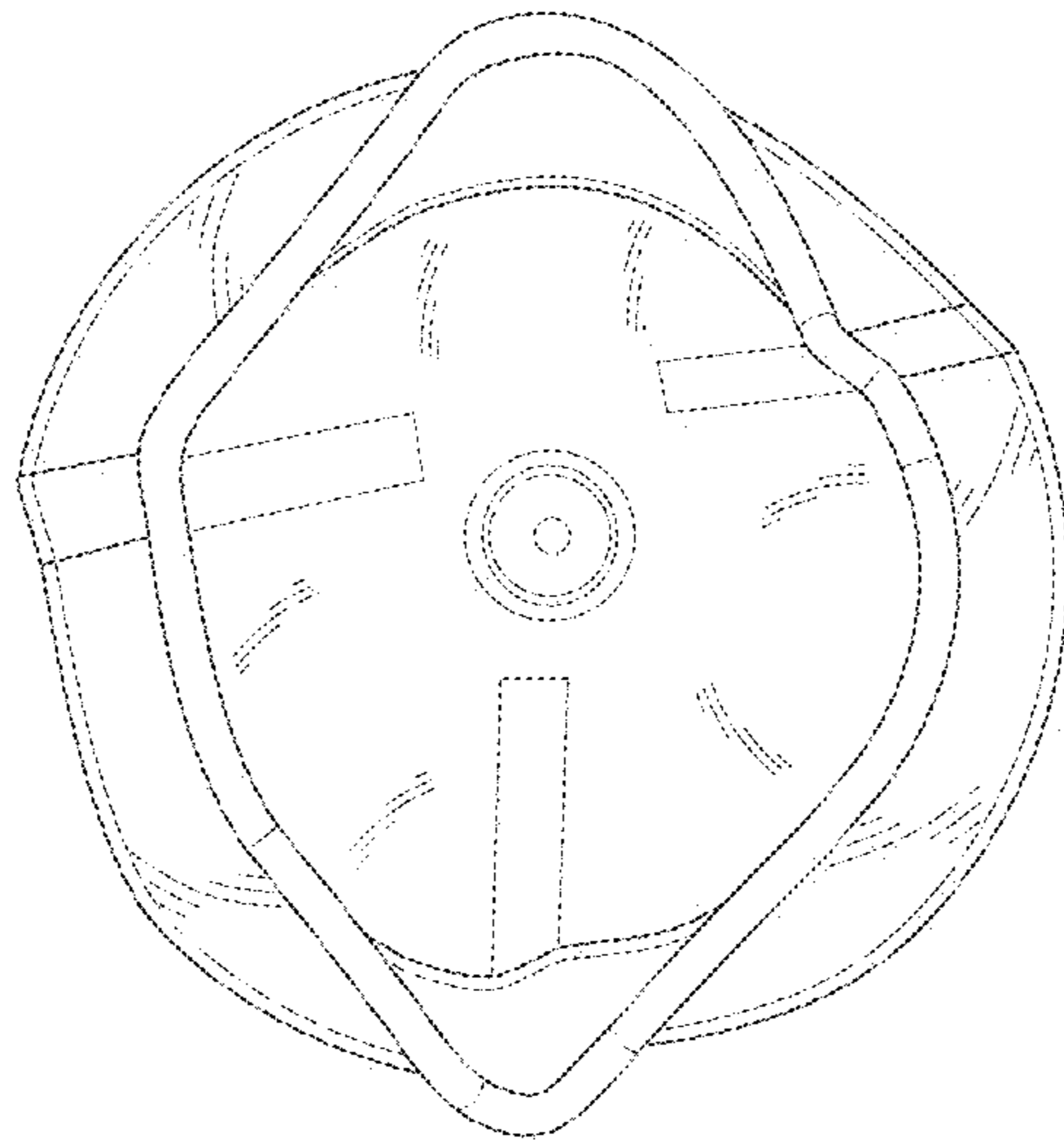


FIG. 6

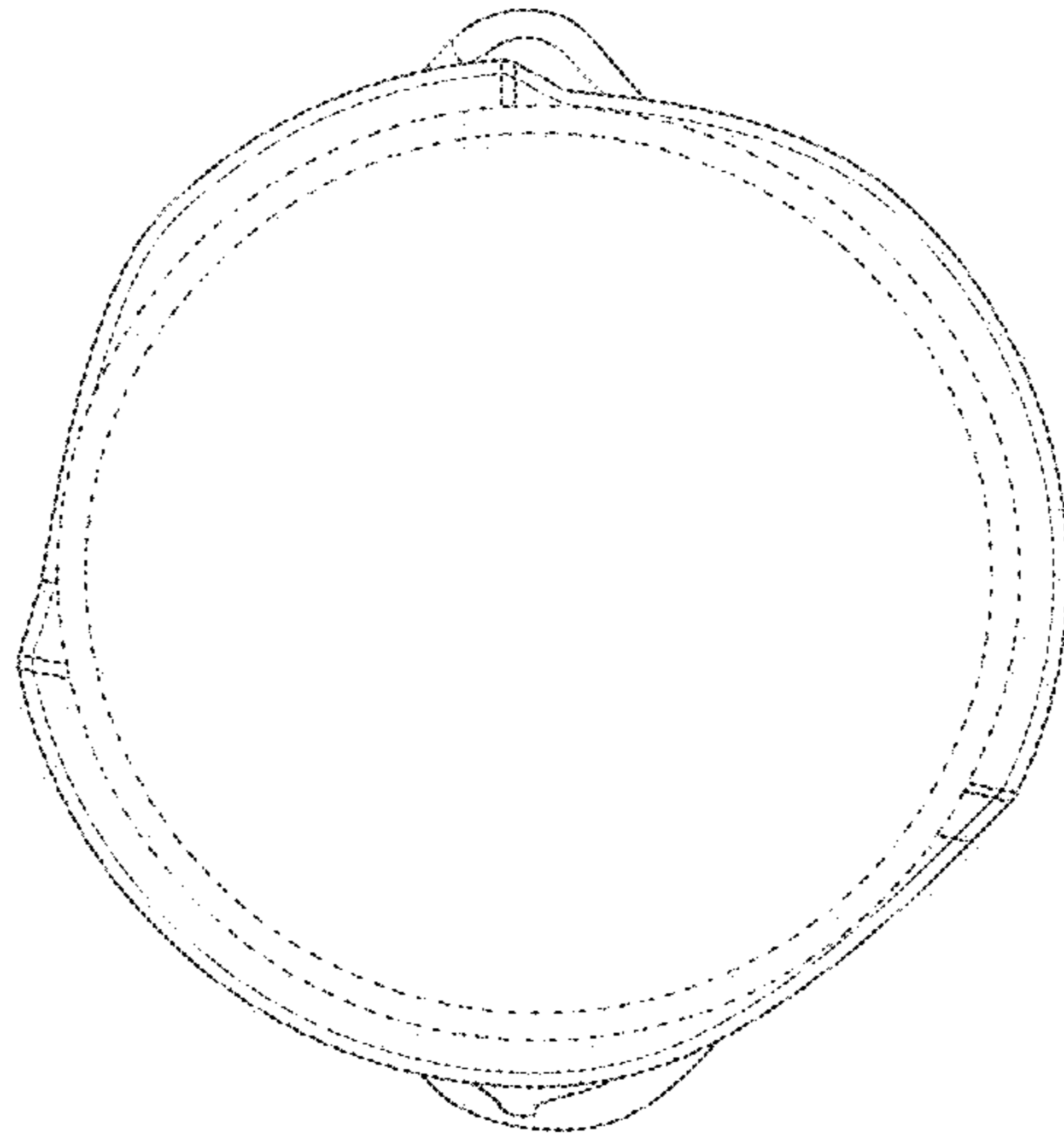


FIG. 7

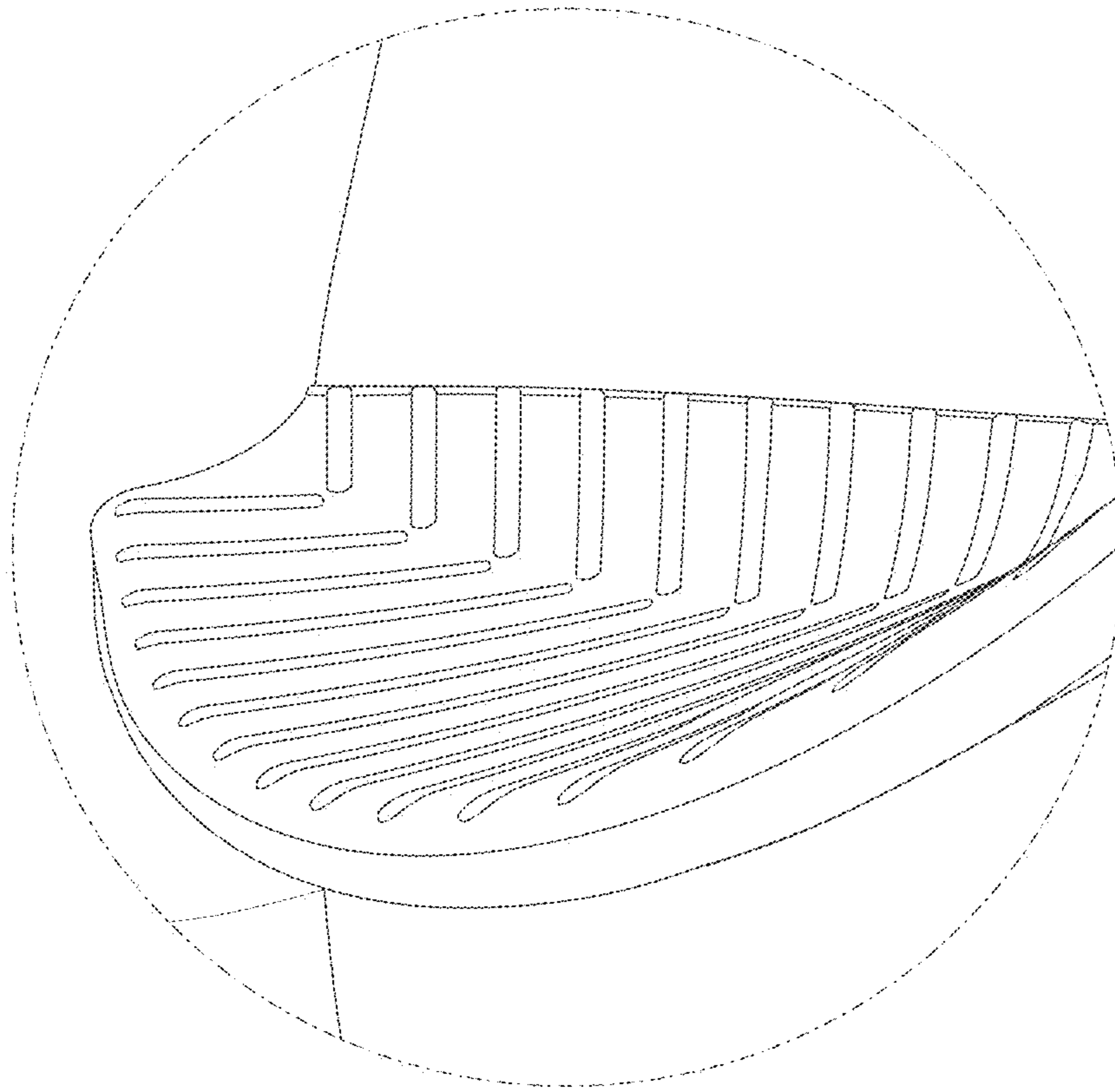


FIG. 8