



US00D981179S

(12) **United States Design Patent**
Pamplin

(10) **Patent No.:** **US D981,179 S**
(45) **Date of Patent:** **** Mar. 21, 2023**

(54) **BASE OF A BATTERY-POWERED PORTABLE BLENDER**

D260,350 S 8/1981 Kahlcke
4,435,084 A 3/1984 Calhoun
D274,792 S 7/1984 Price
4,487,509 A 12/1984 Boyce
4,629,131 A 12/1986 Podell

(71) Applicant: **BlendJet Inc.**, Benicia, CA (US)

(Continued)

(72) Inventor: **Ryan Michael Pamplin**, San Juan, PR (US)

FOREIGN PATENT DOCUMENTS

(73) Assignee: **BlendJet Inc.**, Benicia, CA (US)

CN 201398891 2/2010
CN 101258964 B 7/2011

(**) Term: **15 Years**

(Continued)

(21) Appl. No.: **29/759,291**

OTHER PUBLICATIONS

(22) Filed: **Nov. 20, 2020**

Mialoe Portable Juicer Blender, posted at Amazon.com on Oct. 12, 2017, [site visited Jul. 27, 2022]. Available from internet, URL: <<https://www.amazon.com/Portable-Updated-Rechargeable-Magnetic-Electric/dp/B076DFV3KT?th=1>> (Year: 2017).*

(51) **LOC (14) Cl.** **07-04**

(52) **U.S. Cl.**
USPC **D7/412**

(Continued)

(58) **Field of Classification Search**
USPC D7/305, 306, 368, 372, 376, 377, 378, D7/379, 380, 381, 382, 383, 384, 385, D7/386, 412, 413, 414, 415, 665, 679, D7/693, 694

CPC A21C 1/02; A21C 1/04; A23N 1/00; A23N 1/02; A47J 36/10; A47J 42/46; A47J 43/04; A47J 43/042; A47J 43/046; A47J 43/0711; A47J 43/0716; A47J 43/0722; A47J 43/0727; A47J 43/075; A47J 43/0761; A47J 43/085; A47J 43/087; A47J 43/25; B01F 35/2115; B02C 1/08; B02C 2/04; B02C 4/42; B02C 4/142; B02C 4/143; B02C 4/423; B02C 13/1835; B28C 5/10; B28C 5/14; B28C 5/16
See application file for complete search history.

Primary Examiner — Andrew Kerr
Assistant Examiner — Chariton Alexakis
(74) *Attorney, Agent, or Firm* — Esplin & Associates, PC

(57) **CLAIM**

The ornamental design for a base of a battery-powered portable blender, as shown and described.

DESCRIPTION

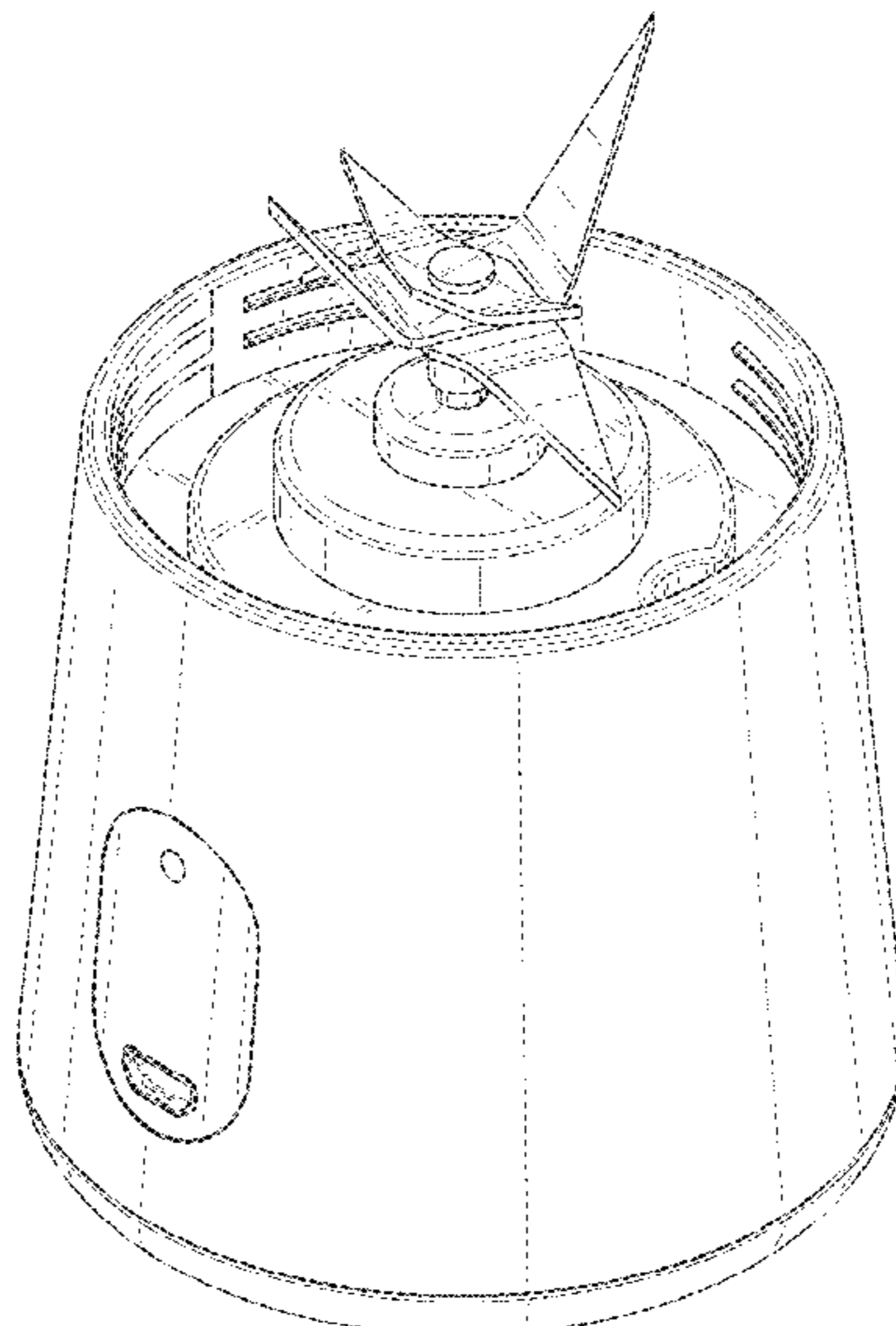
FIG. 1 is a top-left perspective view of a base of a battery-powered portable blender showing the new design; FIG. 2 is a front view thereof; FIG. 3 is a rear view thereof; FIG. 4 is a right view thereof; FIG. 5 is a left view thereof; and, FIG. 6 is a top view thereof. The portions shown in broken lines form no part of the claimed design.

(56) **References Cited**

U.S. PATENT DOCUMENTS

903,927 A 11/1908 Wendler
D123,477 S 11/1940 Fetman et al.
3,931,494 A 1/1976 Fisher
4,095,090 A 6/1978 Pianezza

1 Claim, 6 Drawing Sheets



(56)

References Cited

U.S. PATENT DOCUMENTS

4,741,482 A	5/1988	Coggiola	D784,071 S	4/2017	Davies	
4,930,709 A	6/1990	Steffens	D784,808 S	4/2017	Berroa García	
D315,475 S	3/1991	Finger	D785,402 S	5/2017	Shirley	
D343,987 S	2/1994	Rotte	D786,614 S	5/2017	Smith	
D349,650 S	8/1994	Lonczak	D789,139 S	6/2017	Repac	
5,425,579 A	6/1995	Sampson	D789,735 S	6/2017	Palermo	
5,639,161 A	6/1997	Sirianni	D793,803 S	8/2017	Patel	
5,720,552 A	2/1998	Schindlegger	D794,385 S	8/2017	Lee	
5,908,037 A	6/1999	Pierson	D799,963 S	10/2017	Akiyama	
5,911,504 A	6/1999	Schindlegger, Jr.	D801,109 S	10/2017	Lee	
D417,815 S	12/1999	Endres	9,775,467 B2	10/2017	Sapire	
D448,236 S	9/2001	Murray	9,787,130 B2	10/2017	Kim	
6,331,070 B1	12/2001	Desai	9,801,498 B2	10/2017	Fach	
D471,455 S	3/2003	Laveault	9,814,331 B2	11/2017	Alexander	
6,532,863 B1	3/2003	Lee	D804,258 S	12/2017	Kim	
6,568,843 B1	5/2003	Lai	9,839,326 B2	12/2017	Sapire	
6,614,206 B1	9/2003	Wong	D815,486 S	4/2018	Suess	
6,796,705 B1	9/2004	Khubani	D816,394 S	5/2018	Yeung	
D504,818 S	5/2005	Bakic	D816,994 S	5/2018	Fischer	
6,962,432 B2	11/2005	Hofeldt	D817,080 S *	5/2018	Seidl A47J 43/25	
D518,994 S	4/2006	Lin				D7/377
D522,318 S	6/2006	McGuyer	10,010,213 B2	7/2018	Alexander	
D536,975 S	2/2007	Smith	D826,631 S	8/2018	Baron	
D548,523 S	8/2007	Greenspon	D829,042 S	9/2018	Duan	
D550,506 S	9/2007	Spitzer	D829,496 S	10/2018	Kim	
D560,445 S	1/2008	Tardif	D830,766 S	10/2018	Treacy	
7,314,307 B2	1/2008	Cai	D832,641 S	11/2018	Sapire	
7,364,348 B1	4/2008	Jones	D836,385 S	12/2018	Arzunyan	
7,384,182 B2	6/2008	Bhavnani	10,143,980 B1	12/2018	Marko	
7,422,362 B2	9/2008	Sands	10,188,229 B2	1/2019	Alexander	
D580,702 S	11/2008	Holcomb	D842,020 S	3/2019	Augustyn	
D587,136 S	2/2009	Friebe	D847,557 S *	5/2019	Kraemer D7/372	
7,518,343 B2	4/2009	Veselic	10,299,629 B2	5/2019	Bascom	
D603,215 S	11/2009	Hollinger	10,299,632 B2	5/2019	Vu	
D603,704 S	11/2009	Jost	D850,259 S	6/2019	Wiggins	
D604,101 S	11/2009	Sands	D853,184 S	7/2019	De Groot	
D617,145 S	6/2010	Picozza	10,362,903 B2	7/2019	Mizrahi	
D621,206 S	8/2010	Matta	D856,083 S	8/2019	Lawson-Shanks	
D624,359 S	9/2010	Schleinzner	10,383,482 B1	8/2019	Pamplin	
D634,155 S *	3/2011	Duncan D7/372	10,391,461 B2	8/2019	Alfoudari	
D635,019 S	3/2011	Goto	10,399,050 B1	9/2019	Bertsch	
7,938,574 B2	5/2011	McGill	D867,806 S	11/2019	Bodum	
D640,502 S	6/2011	Picozza	D867,807 S	11/2019	Bodum	
D640,556 S	6/2011	Bragg	D871,831 S	1/2020	Liu	
D647,365 S	10/2011	Audette	D873,601 S	1/2020	Sirju	
8,056,848 B1	11/2011	Liang	10,617,260 B2	4/2020	Sapire	
D663,202 S	7/2012	Biesecker	D885,124 S	5/2020	Yessin	
D669,304 S	10/2012	Bock	D885,824 S	6/2020	Neputy	
D682,030 S	5/2013	Ezechukwu	D889,260 S	7/2020	Hiltser	
D684,817 S	6/2013	Leavitt	D891,191 S	7/2020	Binyk	
D686,869 S	7/2013	Shoshan	10,702,837 B1	7/2020	Pamplin	
D690,152 S	9/2013	Palermo	D894,679 S *	9/2020	Cheng D7/403	
D700,013 S	2/2014	Chu	D895,348 S	9/2020	Vignau-Lous	
D701,615 S	3/2014	Pluska	D896,566 S	9/2020	Wang	
D708,902 S	7/2014	Audette	10,792,630 B1	10/2020	Pamplin	
D709,325 S	7/2014	Guo	10,799,071 B2	10/2020	Pamplin	
D716,096 S	10/2014	Krooshof	D900,530 S	11/2020	Kim	
8,851,739 B2	10/2014	Gonzalez	10,828,612 B1	11/2020	Pamplin	
8,950,930 B2	2/2015	Wang	D903,400 S	12/2020	Li	
D723,872 S	3/2015	Kostler	D904,822 S	12/2020	Koszylko	
D728,302 S *	5/2015	Vu D7/378	D905,494 S	12/2020	Pataki	
D729,573 S	5/2015	Moon	D905,496 S	12/2020	Pamplin	
9,035,222 B2	5/2015	Alexander	D908,428 S	1/2021	Pamplin	
9,039,274 B1	5/2015	Corda	D911,107 S	2/2021	Pamplin	
D731,242 S	6/2015	Machovina	D913,035 S	3/2021	McCabe	
9,049,967 B1	6/2015	Golino	D916,549 S *	4/2021	Li D7/378	
9,134,020 B1	9/2015	Wells	D918,636 S *	5/2021	Mangiarotti D7/318	
D742,683 S	11/2015	Kim	D918,719 S	5/2021	Tamarindo	
D758,799 S	6/2016	Audette	D920,736 S *	6/2021	Bock B01F 35/2115	
D761,056 S	7/2016	Kemker				D7/378
D765,462 S	9/2016	Davies	D921,419 S *	6/2021	Yang A47J 43/046	
D765,463 S	9/2016	Affatato				D7/378
D770,228 S	11/2016	Pan	D927,245 S *	8/2021	Peng A47J 43/046	
9,549,639 B2	1/2017	Garr				D7/372
D782,866 S	4/2017	Suess	D927,254 S	8/2021	Chen	
			D927,924 S	8/2021	Lane	
			11,229,891 B2	1/2022	Pamplin	
			D943,338 S *	2/2022	Feng A47J 43/0727	
						D7/378

(56)

References Cited

U.S. PATENT DOCUMENTS

D948,940 S 4/2022 Pamplin
 D953,103 S 5/2022 Pamplin
 2001/0036124 A1 11/2001 Rubenstein
 2002/0117566 A1 8/2002 Cheng
 2002/0141286 A1 10/2002 Wulf
 2004/0159624 A1 8/2004 Miller
 2007/0182367 A1 8/2007 Partovi
 2007/0209528 A1 9/2007 Chang
 2007/0221068 A1 9/2007 Boussemart
 2007/0290555 A1 12/2007 Caren
 2008/0198691 A1 8/2008 Behar
 2008/0217284 A1 9/2008 Roth
 2008/0221739 A1 9/2008 Pryor
 2008/0259722 A1 10/2008 Sanford
 2008/0265838 A1 10/2008 Garg
 2009/0032627 A1* 2/2009 Krasznai A47J 42/46
 241/36
 2010/0005977 A1 1/2010 Menashes
 2010/0301808 A1 12/2010 David
 2011/0024537 A1 2/2011 Gonzalez
 2011/0248108 A1 10/2011 Carriere
 2012/0080549 A1 4/2012 Rukavina
 2012/0167781 A1 7/2012 Lane
 2013/0010568 A1 1/2013 Bodum
 2013/0222991 A1 8/2013 McWilliams
 2014/0151479 A1* 6/2014 Wu A47J 43/0727
 241/66
 2014/0247686 A1 9/2014 Arnett
 2014/0301155 A1 10/2014 Montgomery
 2015/0023130 A1 1/2015 Foxlee
 2015/0117137 A1 4/2015 Haney
 2015/0165402 A1 6/2015 King
 2015/0283037 A1 10/2015 Trejo
 2015/0374175 A1 12/2015 Garr
 2016/0114935 A1 4/2016 Rönholm
 2016/0235243 A1 8/2016 Grassia
 2016/0354740 A1 12/2016 Gonzalez
 2017/0104297 A1 4/2017 Scott
 2017/0110898 A1 4/2017 Kyriakoulis
 2018/0028991 A1 2/2018 Brotzki
 2018/0054142 A1 2/2018 Williams
 2018/0146826 A1 5/2018 Mizrahi
 2018/0160855 A1 6/2018 Krivos
 2018/0221836 A1 8/2018 Ni
 2019/0000275 A1 1/2019 Sapire
 2019/0082893 A1 3/2019 Faulkner-Edwards
 2019/0191962 A1 6/2019 Pieterman
 2019/0307287 A1 10/2019 Magatti
 2019/0363567 A1 11/2019 Kim
 2019/0365156 A1 12/2019 Vu
 2020/0061557 A1 2/2020 Bertsch
 2020/0114322 A1 4/2020 Bertsch
 2020/0135391 A1 4/2020 Kwon
 2020/0205615 A1 7/2020 Pamplin
 2020/0345181 A1* 11/2020 Potaki A47J 43/0722
 2020/0359842 A1* 11/2020 Koh A47J 43/046

2020/0390286 A1 12/2020 Pamplin
 2021/0354100 A1* 11/2021 Sapire B01F 35/2115
 2022/0107691 A1 4/2022 Pamplin
 2022/0175192 A1* 6/2022 Ahn A47J 43/046
 2022/0285984 A1 9/2022 Pamplin

FOREIGN PATENT DOCUMENTS

CN 102949118 A 3/2013
 CN 103841867 A 6/2014
 CN 104084076 A 10/2014
 CN 104385455 A 3/2015
 CN 104473576 A 4/2015
 CN 104808545 A 7/2015
 CN 204467878 U 7/2015
 CN 204520400 8/2015
 CN 205006717 U 2/2016
 CN 105615698 A 6/2016
 CN 205493613 8/2016
 CN 207194642 U 4/2018
 CN 207444802 U 6/2018
 CN 207768224 U 8/2018
 CN 304785260 S 8/2018
 CN 107080417 B 10/2018
 CN 108937638 12/2018
 CN 209147461 U 7/2019
 CN 210354282 4/2020
 EP 2220980 8/2010
 GB 2506926 4/2014
 GB 6021494 * 11/2017
 JP D1669689 10/2020
 WO 2008047106 4/2008
 WO 2017157965 9/2017
 WO 2020191437 10/2020

OTHER PUBLICATIONS

Luwsldirr Electric Blender, posted at Amazon.com on Nov. 23, 2019, [site visited Jul. 27, 2022]. Available from internet, URL: <<https://www.amazon.com/dp/B081WD4QXC/>> (Year: 2019).
 Ecpurchase Portable Blender USB Rechargeable. Date First Available on Amazon.com May 7, 2018. <https://www.amazon.com/Portable-Blender-Rechargeable-Single-Personal/dp/B07CXM3CC3/>. (Year: 2018) (1 page).
 PCT International Search Report and Written Opinion, Application No. PCT/US19/63089, dated Feb. 19, 2020, dated 11 pages.
 Youtube.com, BlendJet, Jen Seller's BlendJet Green Smoothie Recipe, Mar. 25, 2019, [site visited Nov. 4, 2021], Available on theInternet URL <https://www.youtube.com/shorts/NIFC2ek3Qms> (Year: 2019).
 PCT International Search Report, International Application No. PCT/US2020/054447, dated Oct. 29, 2020, 7 pages.
 PCT International Search Report and Written Opinion, Application No. PCT PCT/US2020/054471, dated Jan. 5, 2021 (8 pages.).
 PCT International Search Report and Written Opinion, Application No. PCT/US2022/018497, dated Jun. 16, 2022, 10 pages.

* cited by examiner

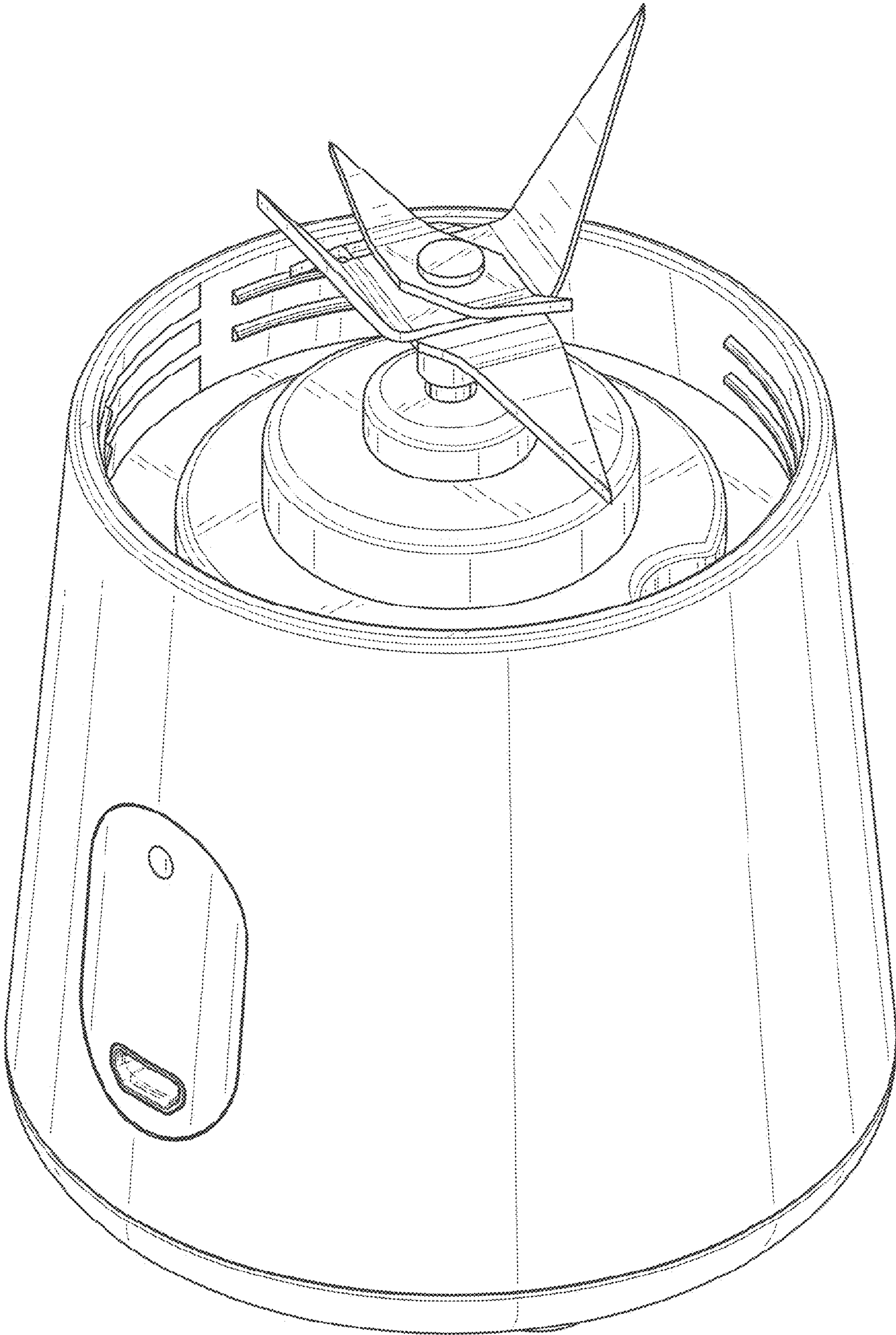


FIG. 1

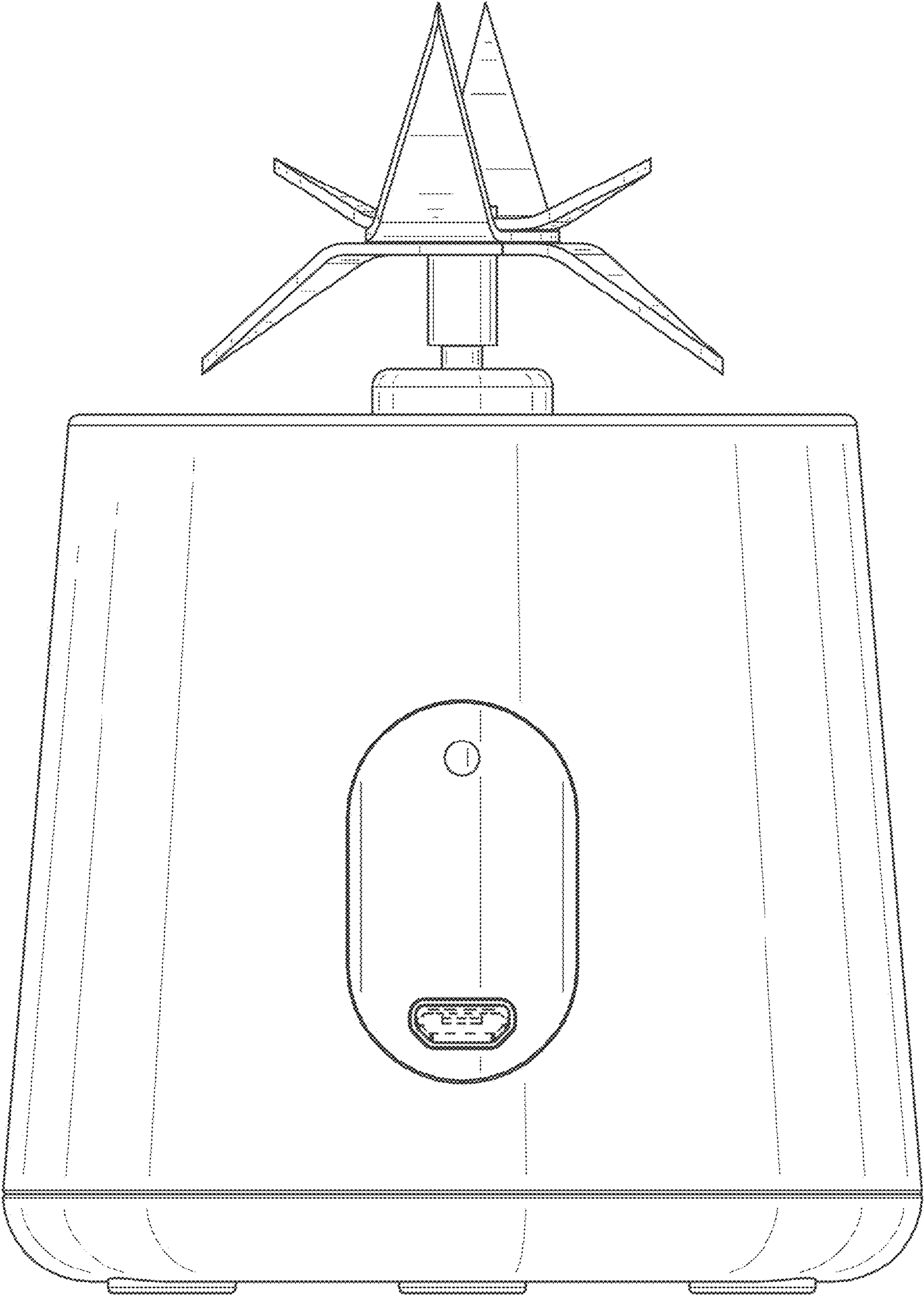


FIG. 2

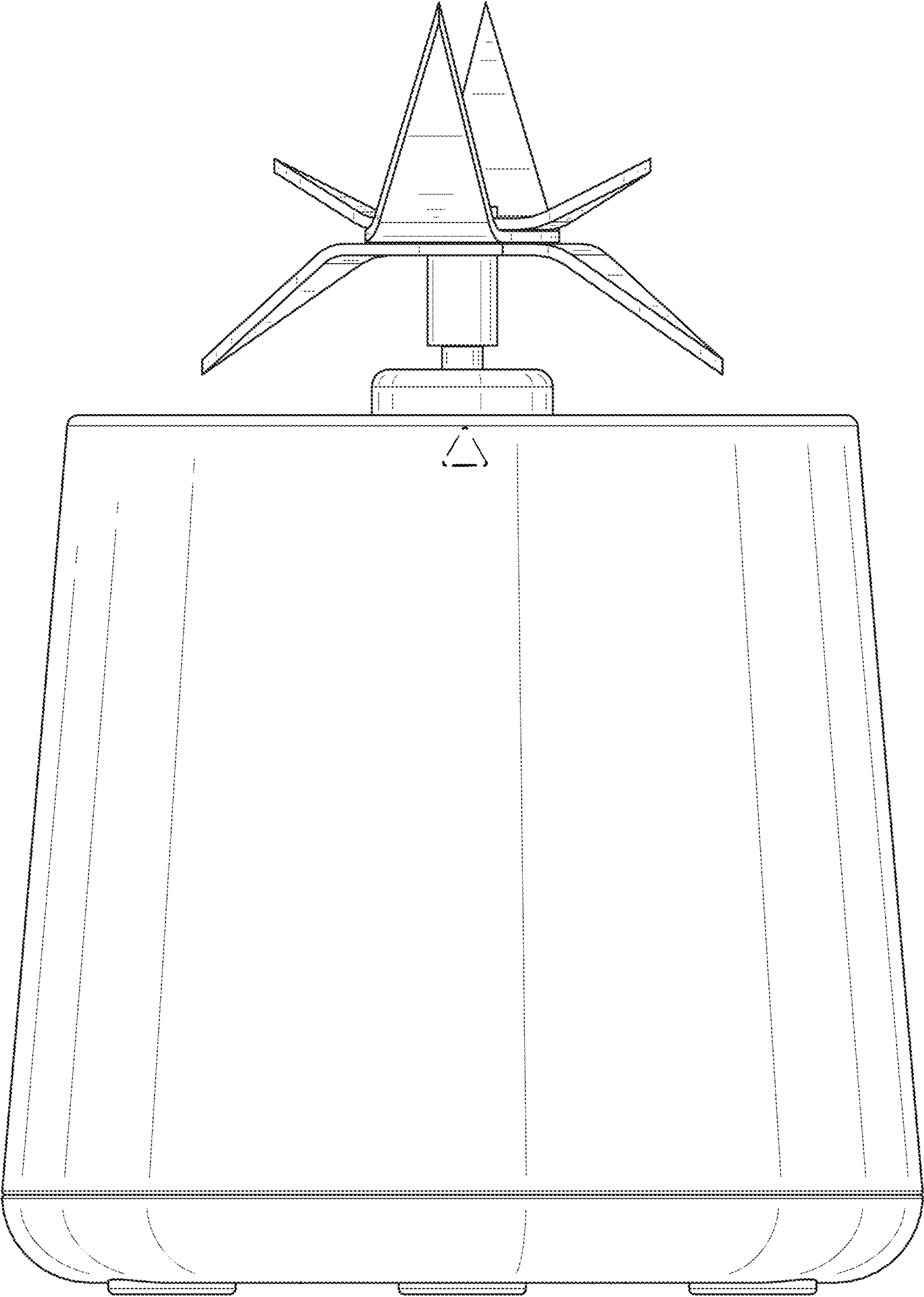


FIG. 3

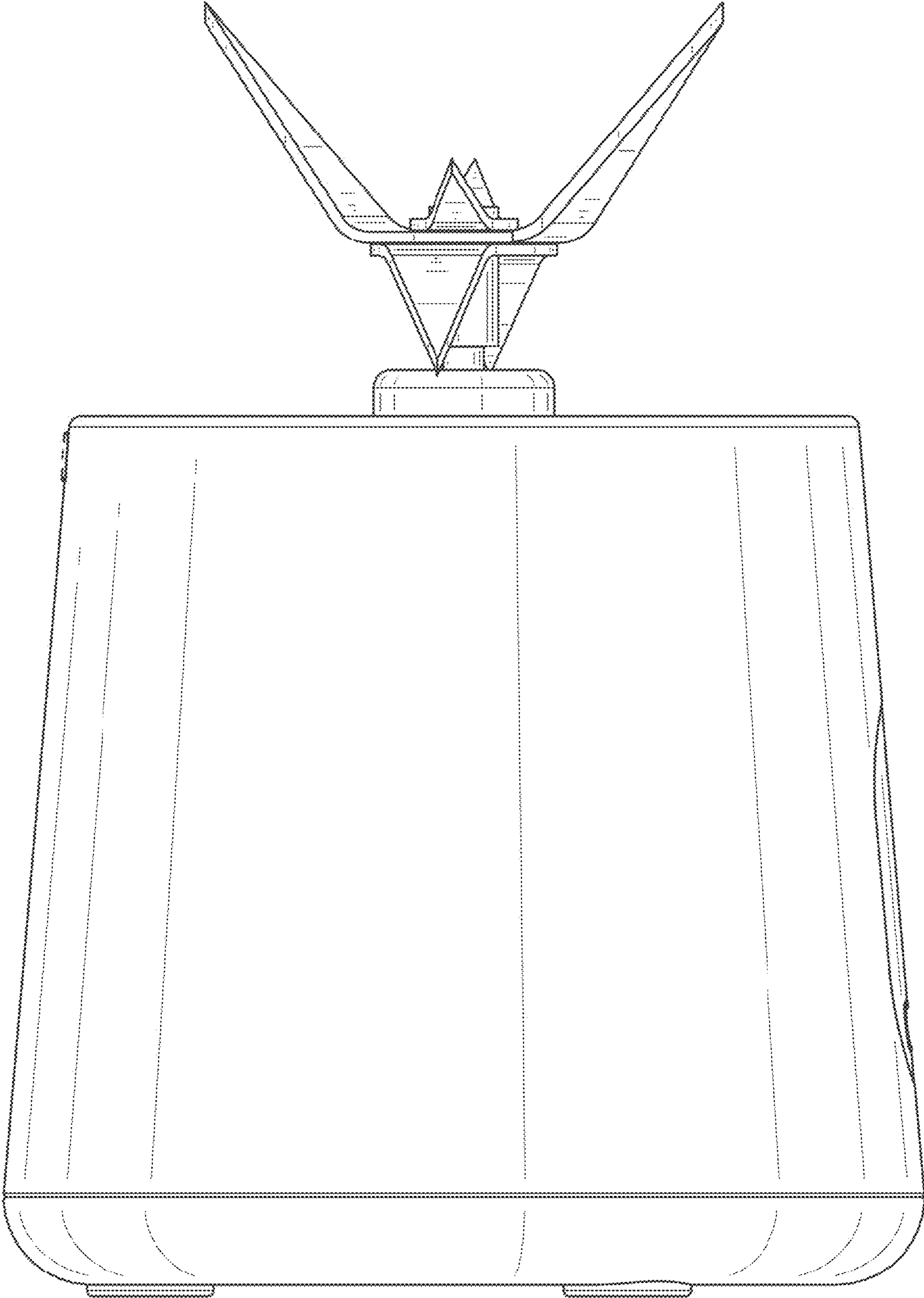


FIG. 4

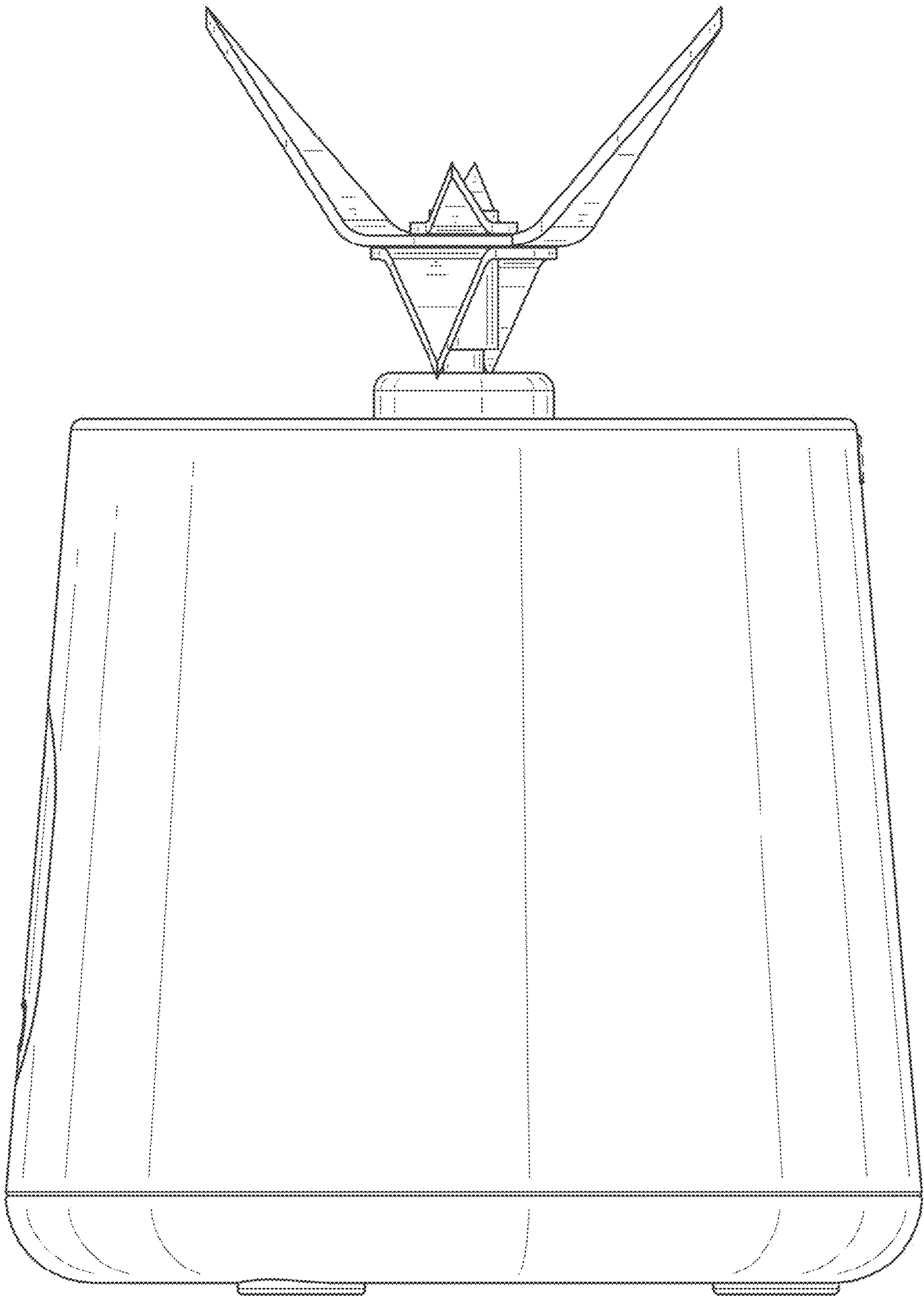


FIG. 5



FIG. 6