



US00D981178S

(12) **United States Design Patent**
Farrer

(10) **Patent No.:** **US D981,178 S**
(45) **Date of Patent:** **** Mar. 21, 2023**

- (54) **COOKTOP FOR PORTABLE APPARATUS**
- (71) Applicant: **TKIP HOLDINGS, LLC**, Vancouver, WA (US)
- (72) Inventor: **Trent Farrer**, Vancouver, WA (US)
- (73) Assignee: **TKIP HOLDINGS, LLC**, Vancouver, WA (US)
- (**) Term: **15 Years**
- (21) Appl. No.: **29/864,413**
- (22) Filed: **May 26, 2022**

Related U.S. Application Data

- (63) Continuation of application No. 29/765,740, filed on Jan. 11, 2021, now Pat. No. Des. 957,879.
- (51) **LOC (14) Cl.** **07-02**
- (52) **U.S. Cl.**
USPC **D7/409**
- (58) **Field of Classification Search**
USPC D7/323, 332, 335-337, 354-355, D7/359-364, 387-388, 402, 407-409; D23/336
CPC A21B 2/00; A21B 3/00; A21B 3/13; A21B 3/15; A21B 5/00; A21B 5/02; A23N 12/06; A23N 12/08; A23N 12/10; A47J 27/004; A47J 33/00; A47J 37/00; A47J 37/04; A47J 37/041; A47J 37/042; A47J 37/06; A47J 37/0623; A47J 37/0629; A47J 37/0641; A47J 37/0664; A47J 37/0688; A47J 37/0694; A47J 37/07; A47J 37/0704; A47J 37/0786; A47J 37/10; A47J 47/20; A47J 2037/00; A47J 2037/06; A47J 2037/0611; A47J 2037/07; A47J 2037/0786; A47J 2037/0795; F24B 1/181; F24B 3/00; F24C 15/10; F24C 15/12; F24C 15/14; F24C 15/16; F24C 15/18; F24C 15/164

See application file for complete search history.

(56) **References Cited**

U.S. PATENT DOCUMENTS

2,055,972 A	9/1936	Fritsche	
D229,277 S	11/1973	Ming-Kong et al.	
D382,765 S	8/1997	Kellermann	
5,970,858 A	10/1999	Boehm et al.	
6,029,566 A *	2/2000	McLemore	A47J 37/0786 126/41 R
6,082,249 A	7/2000	Su	
6,201,217 B1	3/2001	Moon et al.	

(Continued)

OTHER PUBLICATIONS

Partaker Stainless Steel Kamado Multi-Level Expander Rack. Date First Available on Amazon.com Jan. 15, 2022. <https://www.amazon.com/dp/B09QHWFTCV/ref> (Year: 2022).*

(Continued)

Primary Examiner — Ricky Pham
(74) *Attorney, Agent, or Firm* — McCoy Russell LLP

(57) **CLAIM**

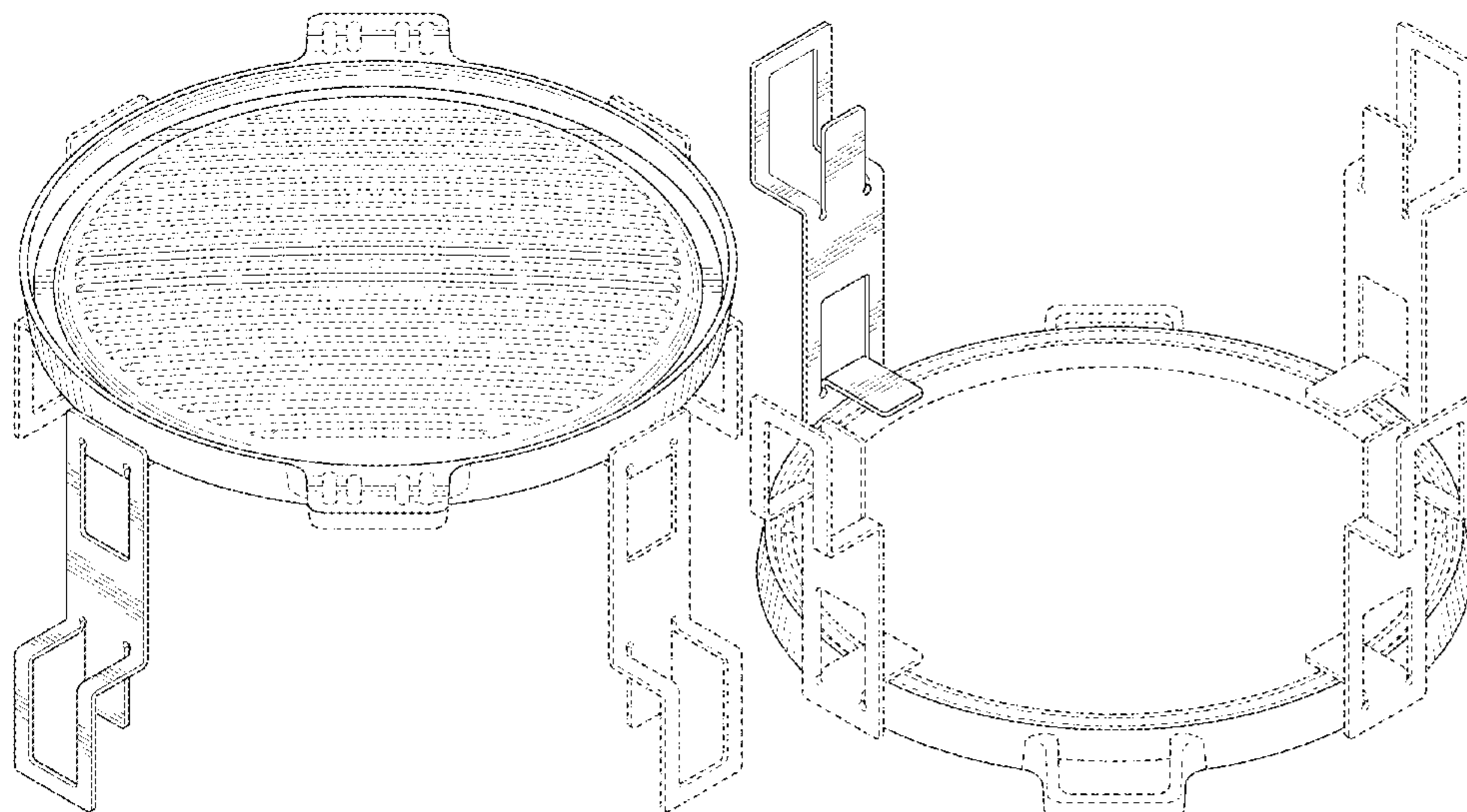
The ornamental design for a cooktop for portable apparatus, as shown and described.

DESCRIPTION

FIG. 1 is a top perspective view of a cooktop for portable apparatus showing my new design;
FIG. 2 is a bottom perspective view thereof;
FIG. 3 is a top view thereof;
FIG. 4 is a left side elevation view thereof;
FIG. 5 is a right side elevation view thereof;
FIG. 6 is a front elevation view thereof;
FIG. 7 is a rear elevation view thereof; and,
FIG. 8 is a bottom view thereof.

The broken lines in the drawings illustrate portions of the cooktop for portable apparatus that form no part of the claimed design.

1 Claim, 6 Drawing Sheets



(56)

References Cited

U.S. PATENT DOCUMENTS

D442,822 S 5/2001 Lin
 6,936,795 B1 * 8/2005 Moon A47J 37/0629
 219/400
 D678,712 S * 3/2013 Mehler D7/354
 8,991,382 B1 * 3/2015 Mau F24B 1/181
 126/30
 D734,975 S * 7/2015 Troyer, Jr. D7/332
 D772,648 S 11/2016 Palermo
 D796,655 S * 9/2017 Horne, III D23/336
 D801,495 S * 10/2017 Home, III D23/336
 D817,697 S 5/2018 Zhao
 D934,027 S 10/2021 Gill et al.
 D957,879 S * 7/2022 Farrer D7/409
 2005/0039612 A1 2/2005 Denny
 2010/0307347 A1 12/2010 Menashes
 2012/0312297 A1 * 12/2012 Walker F24B 3/00
 126/9 B
 2013/0032130 A1 2/2013 Jacques et al.

OTHER PUBLICATIONS

“Only fire Santa-maria Adjustable Rotisserie System for Weber 22-Inch Grill,” Amazon Website, Available Online at <https://www.amazon.com/only-fire-Santa-maria-Rotisserie-Adjustable/dp/B07VRYCPFT>, Retrieved on May 26, 2022, 12 pages.

“Arc USA BQ2026, Easy-Carry Stainless Steel Camping Stove, Portable Wood Burning Stove for Picnic, BBQ, Camp Hiking with Grid,” Amazon Website, Available Online at <https://www.amazon.com/ARC-Stainless-Camping-Backing-Portable/dp/B0822L2NRC>, Retrieved on May 26, 2022, 10 pages.

* cited by examiner

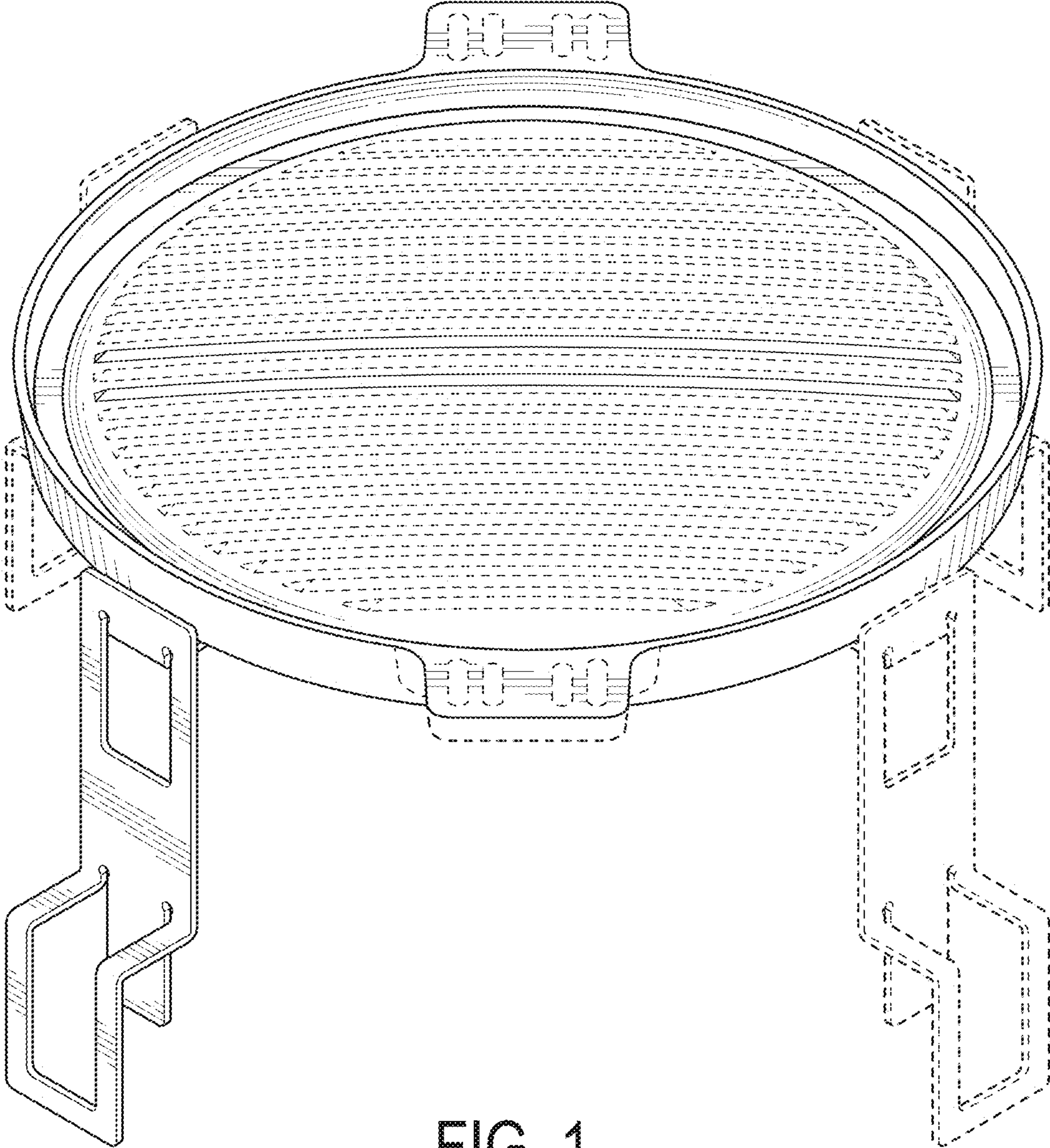


FIG. 1

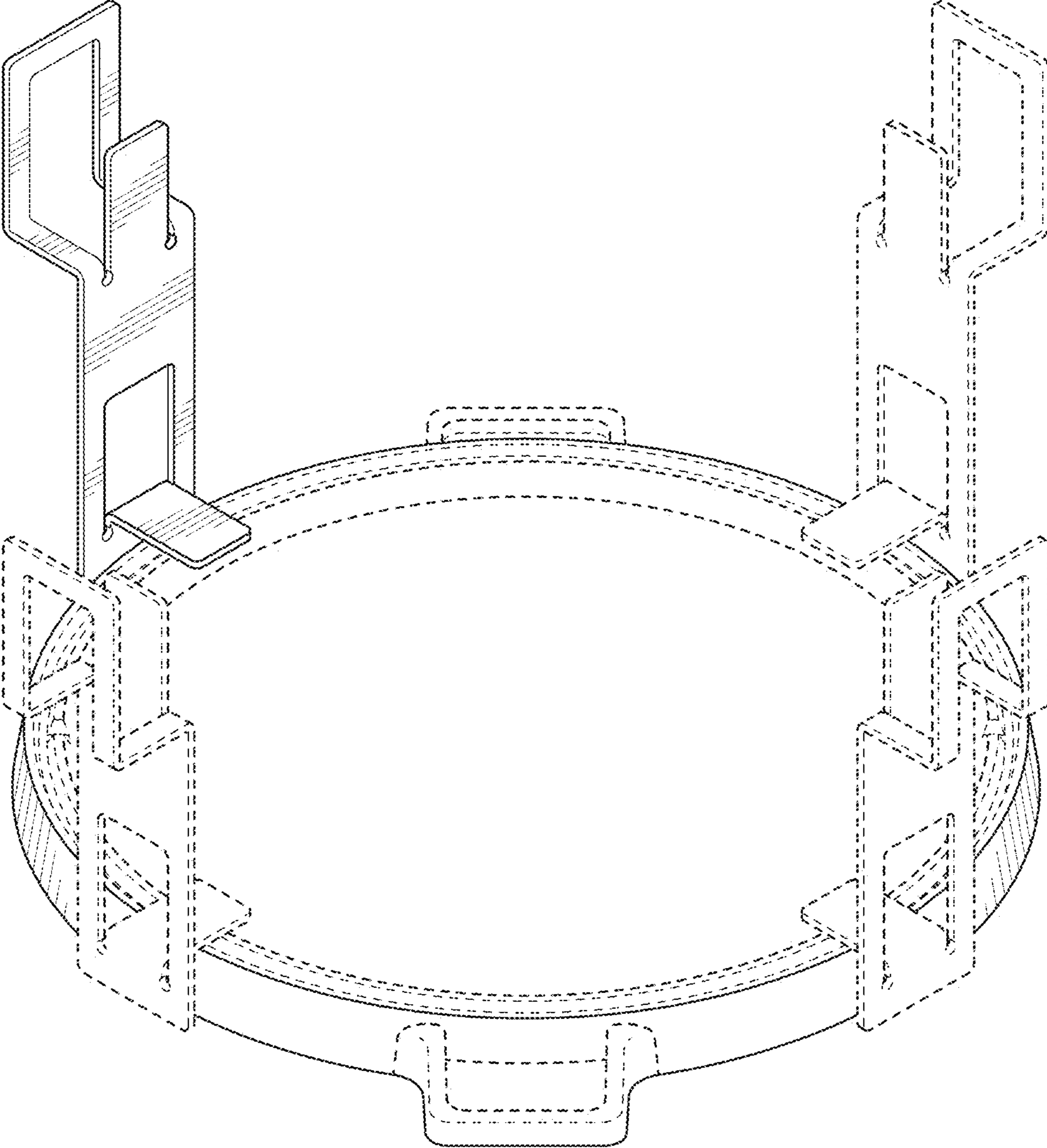


FIG. 2

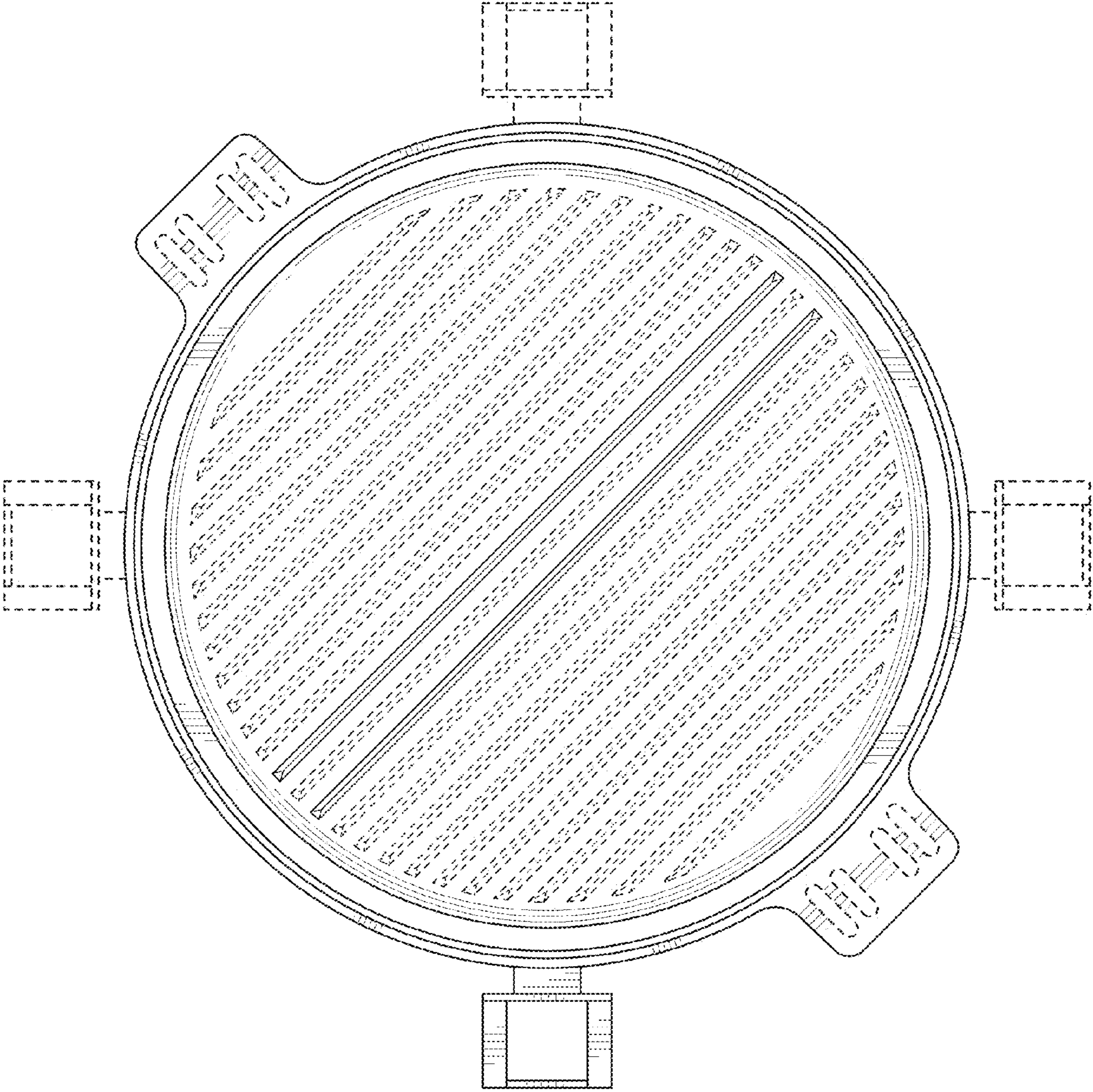


FIG. 3

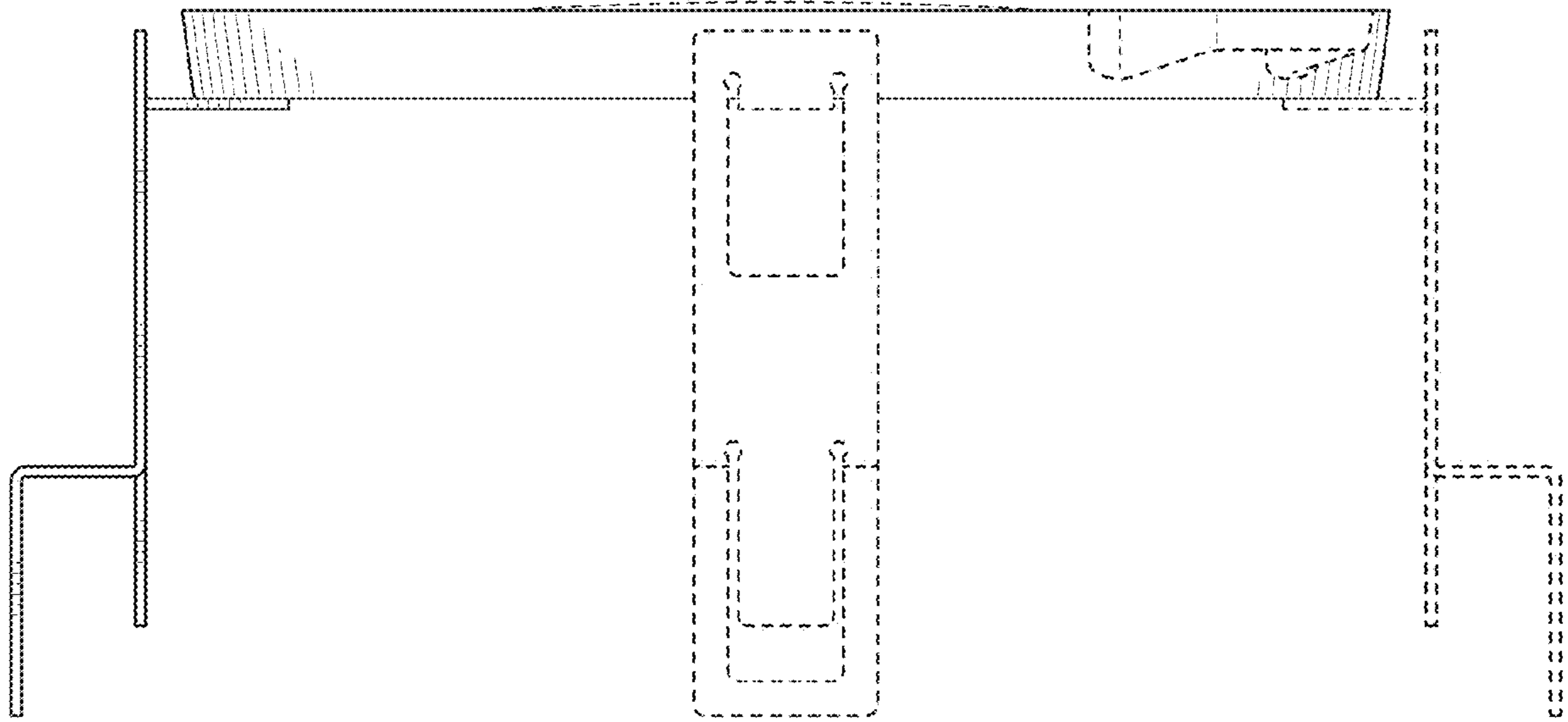


FIG. 4

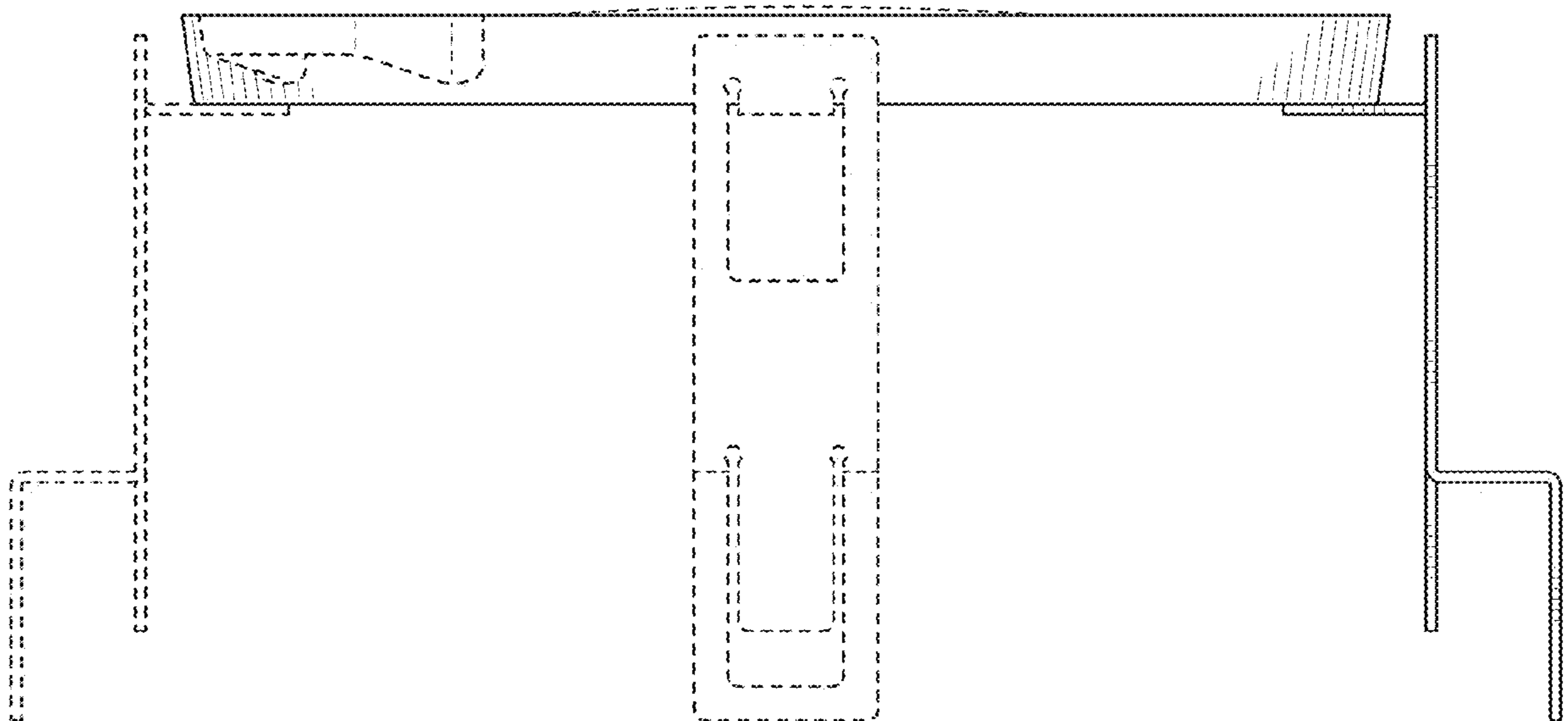


FIG. 5

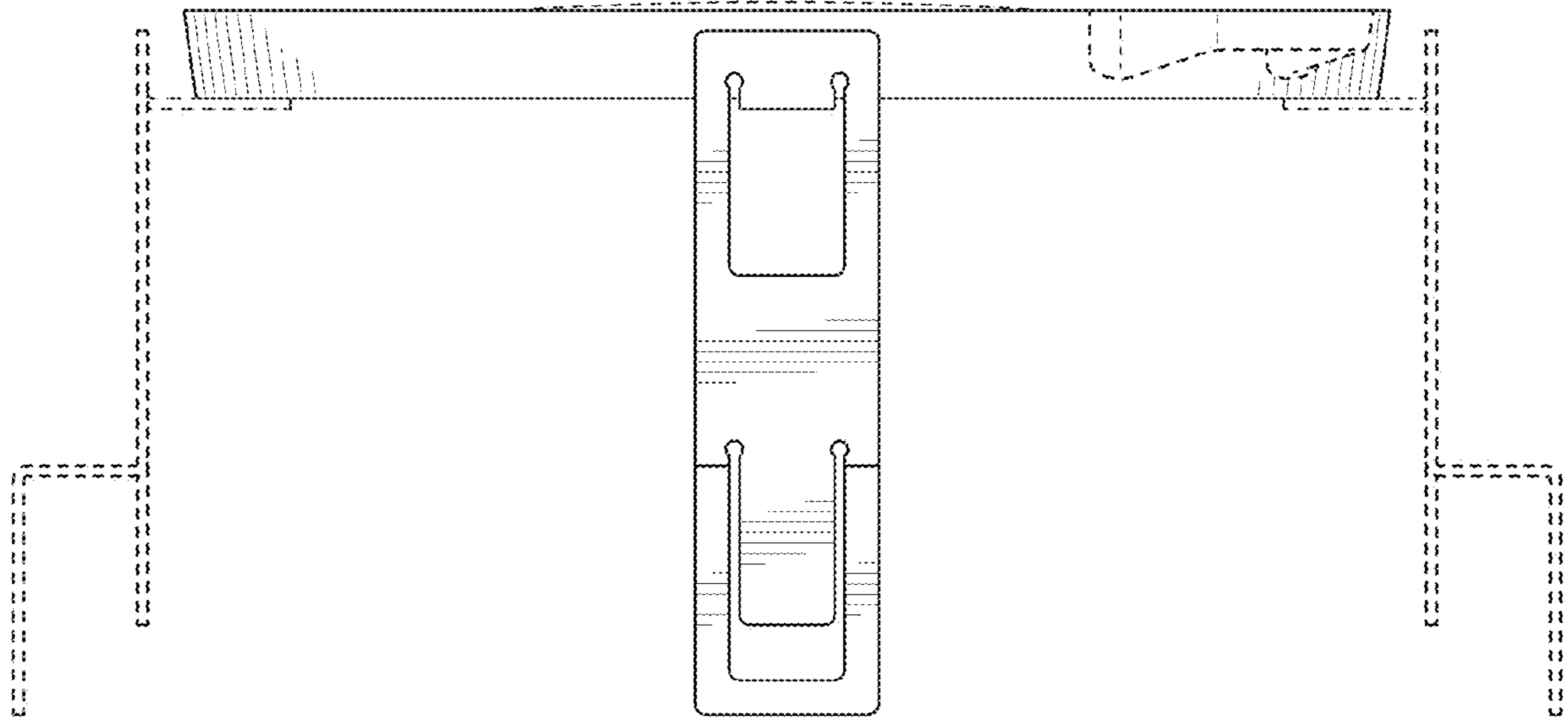


FIG. 6

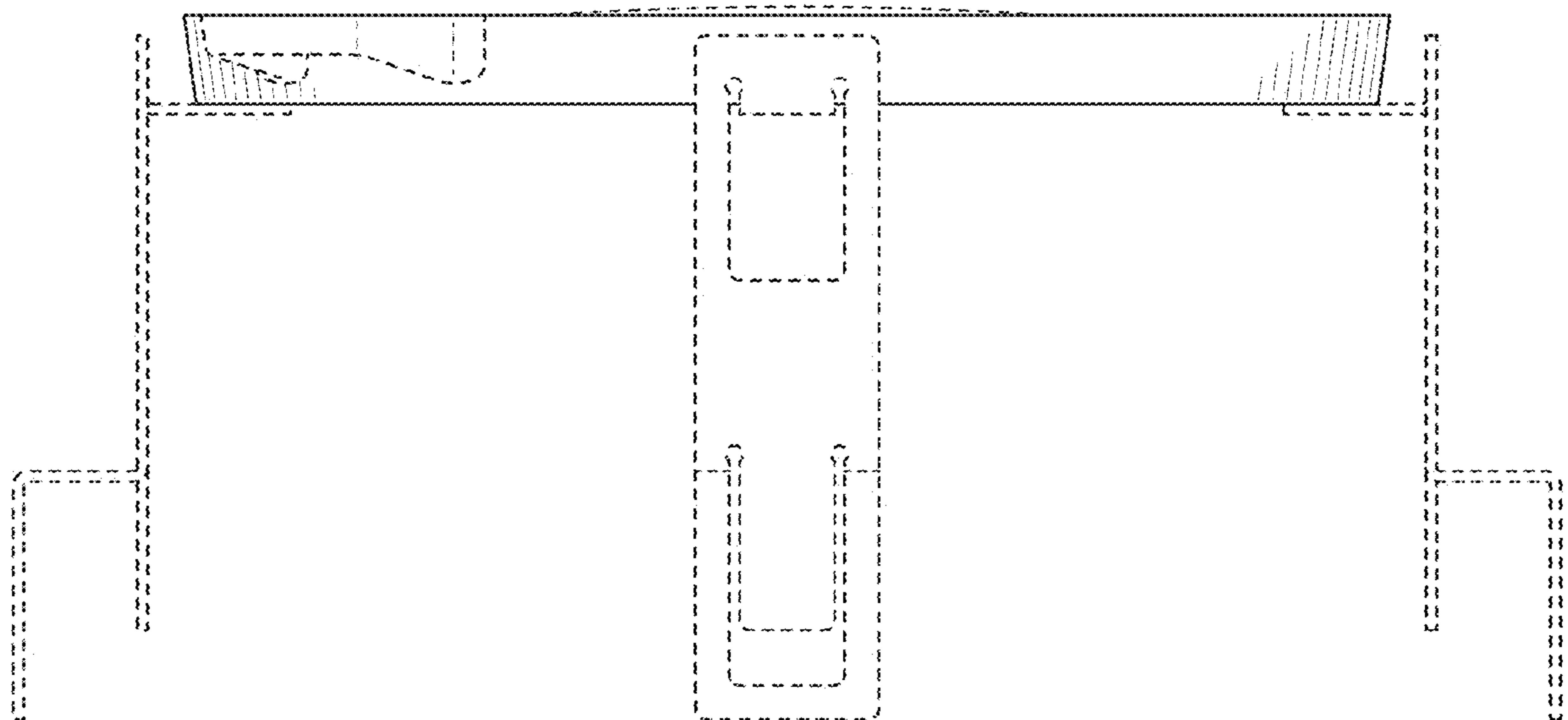


FIG. 7

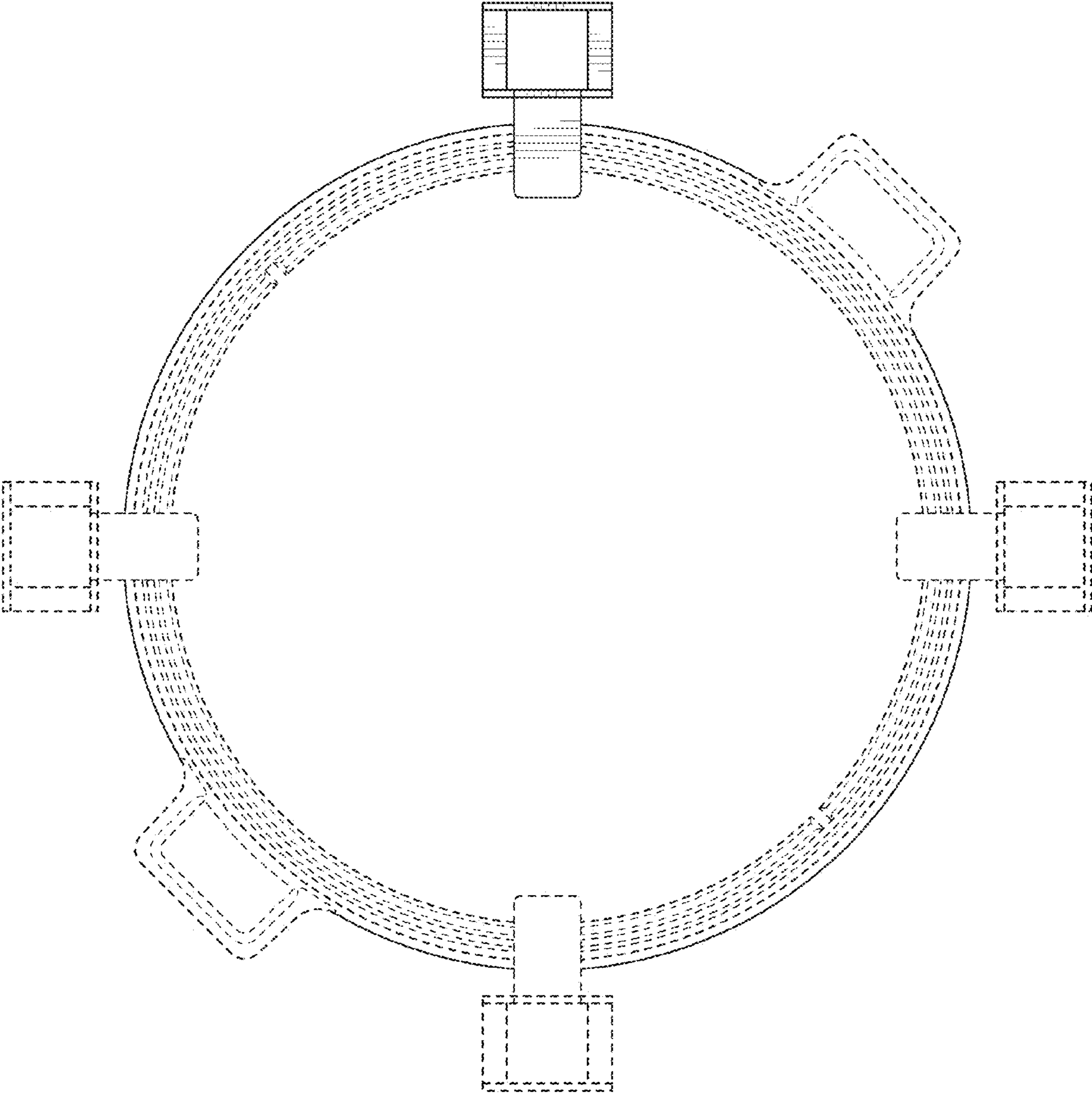


FIG. 8