



US00D981174S

(12) **United States Design Patent** (10) **Patent No.:** **US D981,174 S**
Liao (45) **Date of Patent:** **** Mar. 21, 2023**

(54) **ICE SHAVER**

FOREIGN PATENT DOCUMENTS

(71) Applicant: **Ellen Li Liao**, Los Angeles, CA (US)

CN 301778776 * 12/2011

(72) Inventor: **Yu Li Liao**, Los Angeles, CA (US)

CN 305899455 * 7/2020

CN 306407306 * 9/2021

(73) Assignee: **Ellen Li Liao**, Los Angeles, CA (US)

OTHER PUBLICATIONS

(**) Term: **15 Years**

Great Northern Shaved Ice Machine, posted at Amazon.com on Jul. 28, 2010, [site visited Jan. 13, 2022], Available from Internet, <<https://www.amazon.com/Great-Northern-Ice-Cub-Shaver/dp/B003XMH9AG/>> (Year: 2010).*

(21) Appl. No.: **29/757,653**

(Continued)

(22) Filed: **Nov. 9, 2020**

(51) **LOC (14) Cl.** **31-00**

Primary Examiner — Andrew Kerr

(52) **U.S. Cl.**

Assistant Examiner — Chariton Alexakis

USPC **D7/374**

(74) *Attorney, Agent, or Firm* — Bruce Stone LLP;

(58) **Field of Classification Search**

Joseph A. Bruce

USPC D7/372–378, 381–386, 412, 413, 414, D7/678, 679, 682; D15/80

(57) **CLAIM**

CPC F25C 5/00; F25C 5/02; F25C 5/043; F25C 5/046; F25C 5/12; F25C 5/14; A47J 43/25; A47J 43/255; B02C 18/2216; B02C 18/2291

The ornamental design for an ice shaver, as shown and described.

See application file for complete search history.

DESCRIPTION

(56) **References Cited**

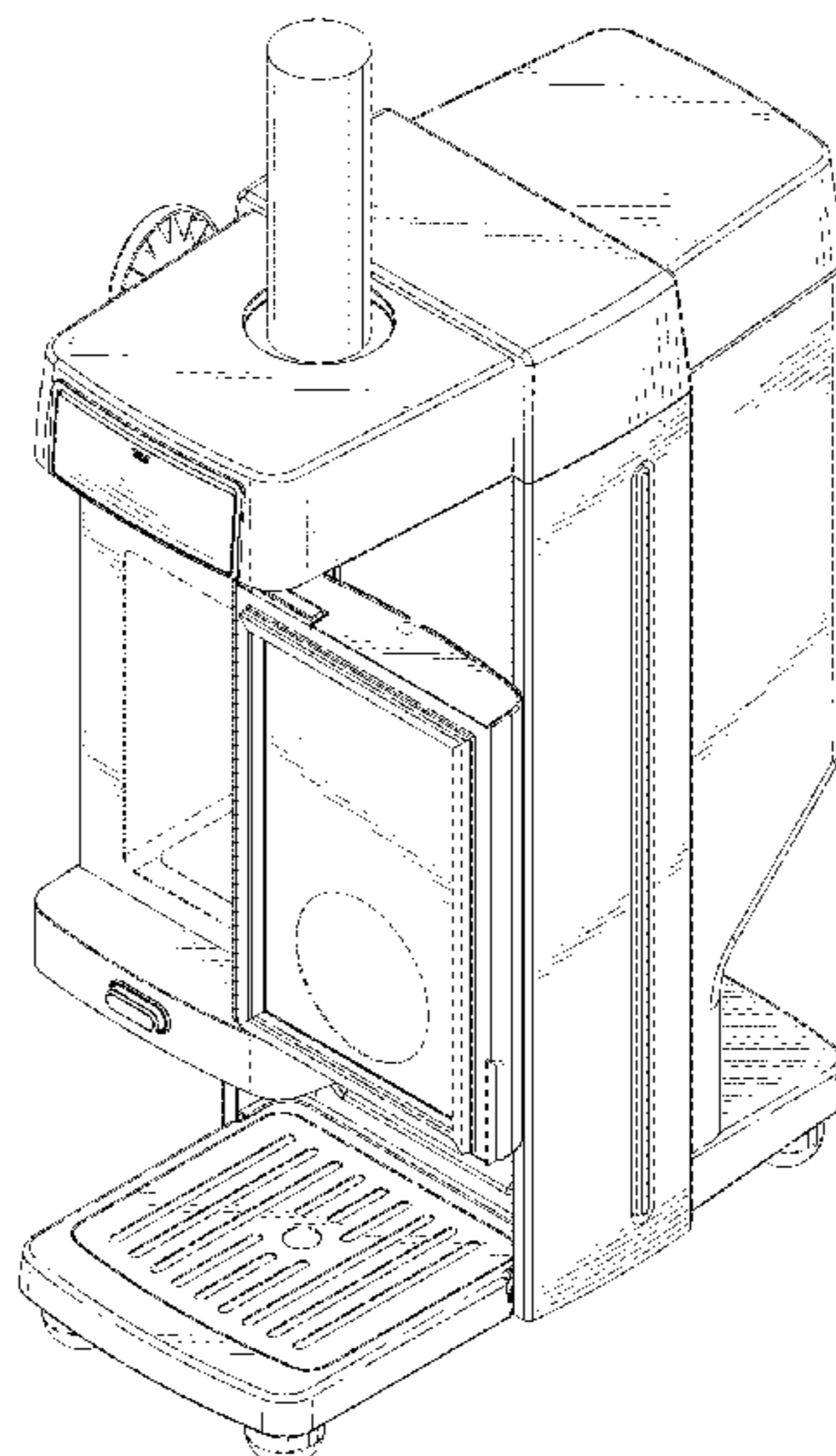
FIG. 1 is a perspective view of an ice shaver showing my new design;
FIG. 2 is a front view thereof;
FIG. 3 is a rear view thereof;
FIG. 4 is a left side view thereof;
FIG. 5 is a right side view thereof;
FIG. 6 is a top plan view thereof;
FIG. 7 is a bottom plan view thereof;
FIG. 8 is another perspective view taken from alternative position;
FIG. 9 is the other perspective view taken from alternative position;
FIG. 10 is perspective view thereof shown in use; and,
FIG. 11 is another perspective view thereof shown in use.
The broken lines in the drawings depict portions of the ice shaver that form no part of claimed design.

U.S. PATENT DOCUMENTS

D173,619 S * 12/1954 Kantor et al. D7/374
D247,902 S * 5/1978 Fudman D7/374
D290,332 S * 6/1987 Foley D7/373
5,186,399 A * 2/1993 Knepler A47J 31/42
241/34
6,012,660 A * 1/2000 Colman F25C 5/12
241/100
D760,305 S * 6/2016 Salin D15/82
9,568,233 B2 * 2/2017 Liao F25C 5/12
10,443,917 B2 * 10/2019 Kim F25C 5/02
2009/0200408 A1 * 8/2009 Fritz-Jung A47J 43/255
241/92
2016/0069604 A1 * 3/2016 Oh F25C 5/12
241/95

(Continued)

1 Claim, 11 Drawing Sheets



(56)

References Cited

U.S. PATENT DOCUMENTS

2020/0109887 A1* 4/2020 Rupp A23G 9/224

OTHER PUBLICATIONS

Great Northern Snow Cub Ice Shaver, posted at Amazon.com on Sep. 16, 2017, [site visited Jan. 13, 2022], Available from Internet, <<https://www.amazon.com/Great-Northern-Popcorn-Company-Shaver/dp/B075PF8VG2/>> (Year: 2017).*

Swan Ice Shaver, posted at Amazon.com on Jun. 14, 2017, [site visited Jan. 13, 2022], Available from Internet, <<https://www.amazon.com/Swan-Ice-Shavers-SI-100E-115v/dp/B072KLT7LD/>> (Year: 2017).*

* cited by examiner

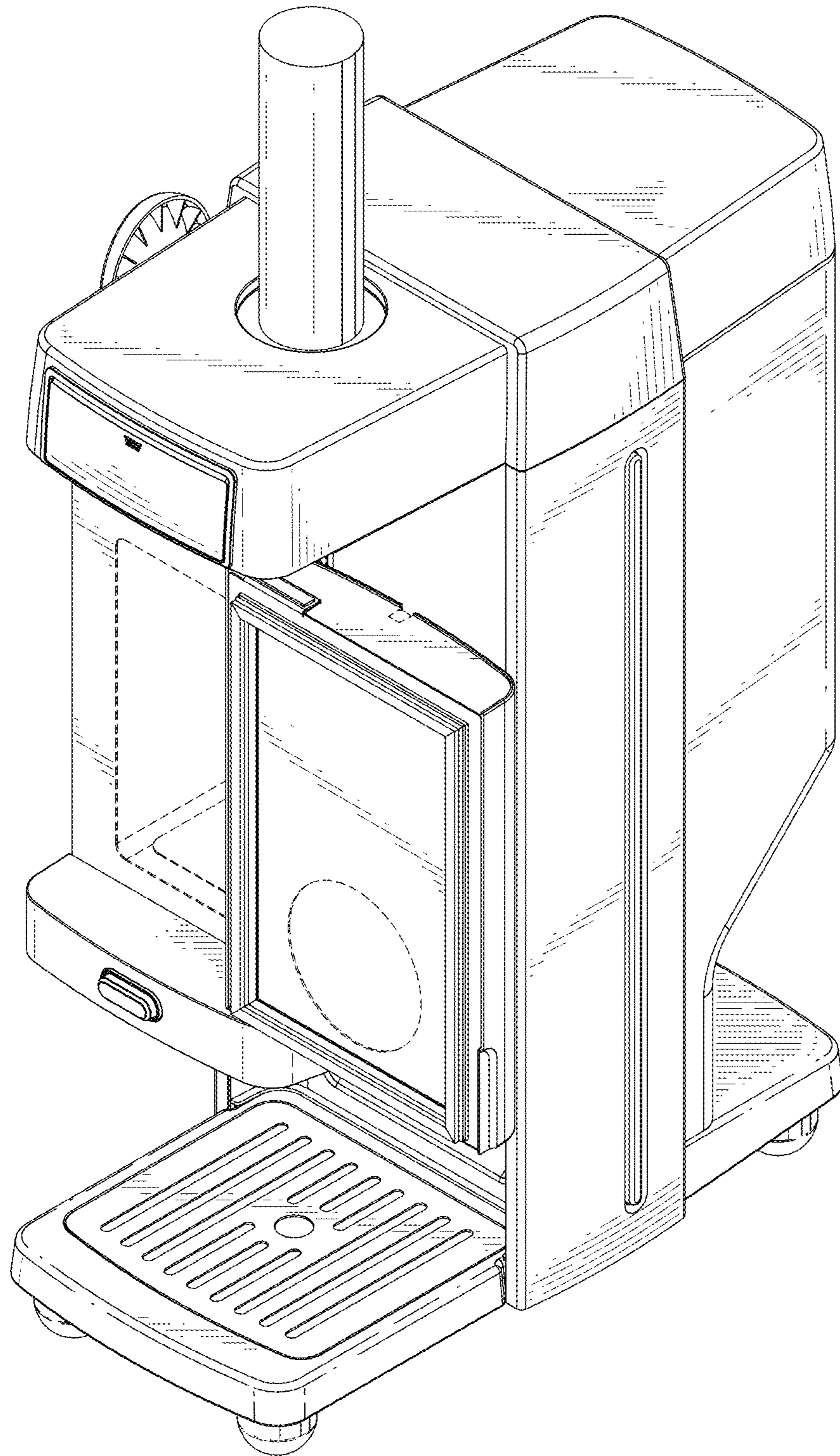


FIG.1

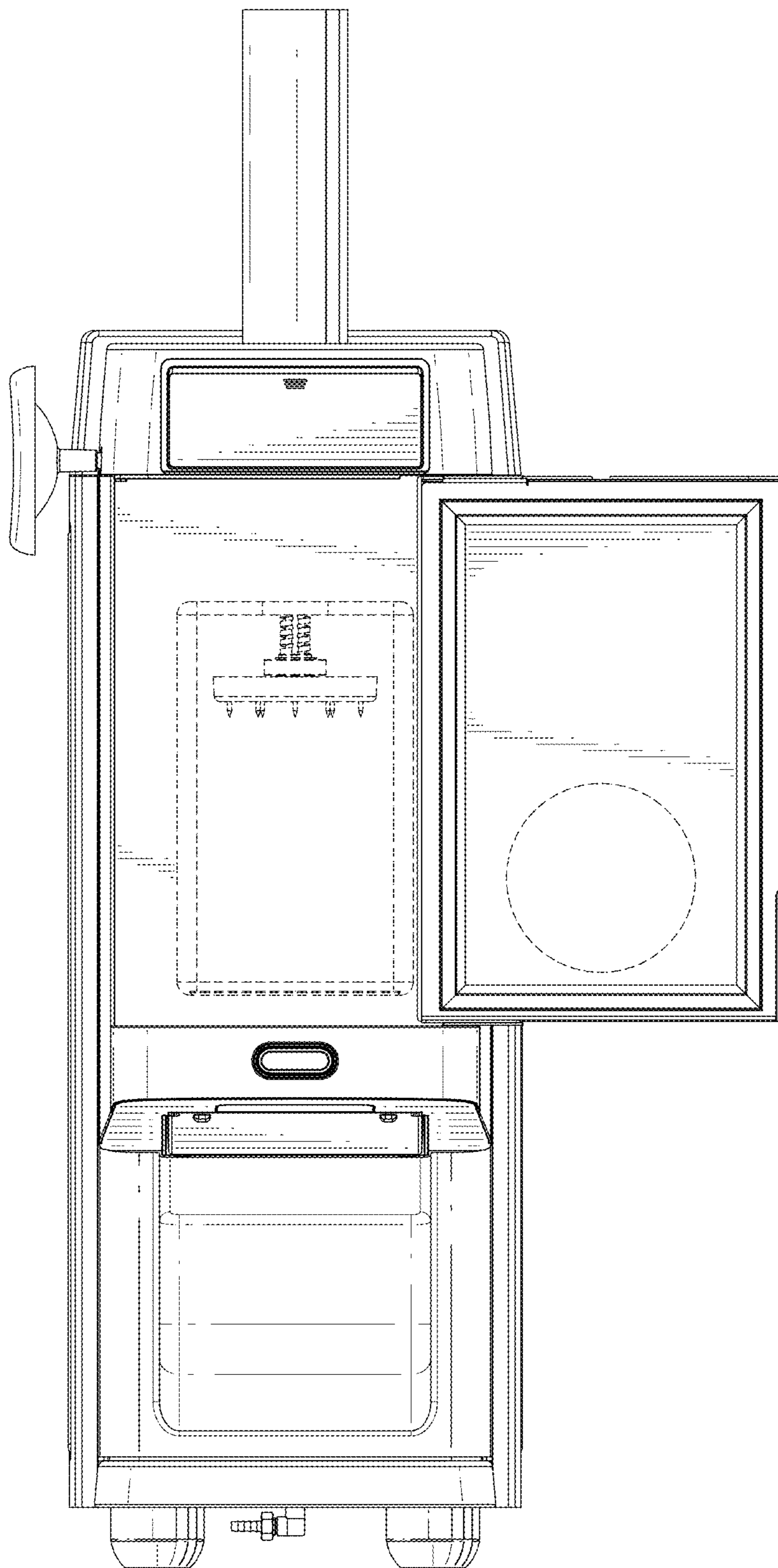


FIG.2

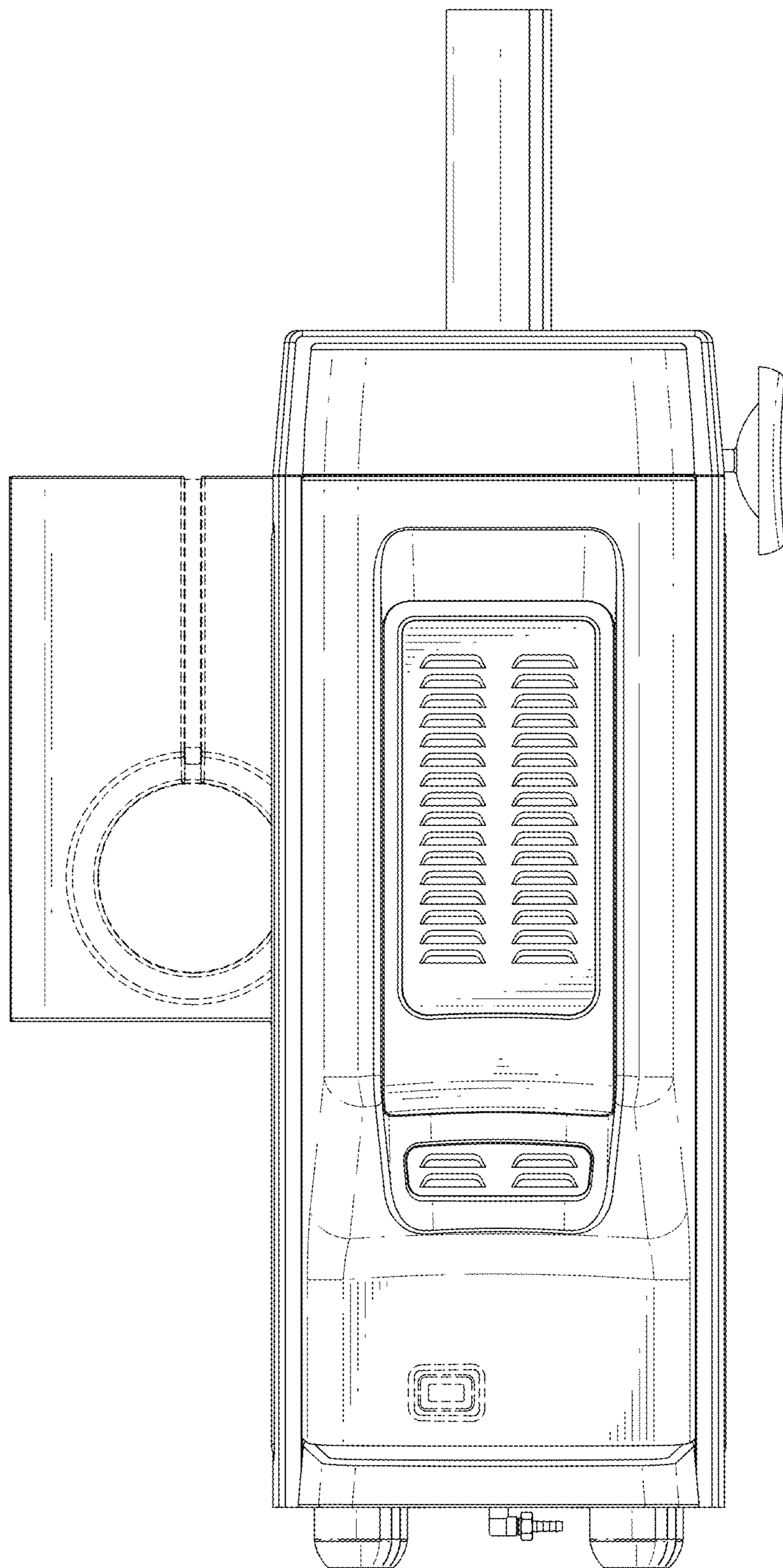


FIG.3

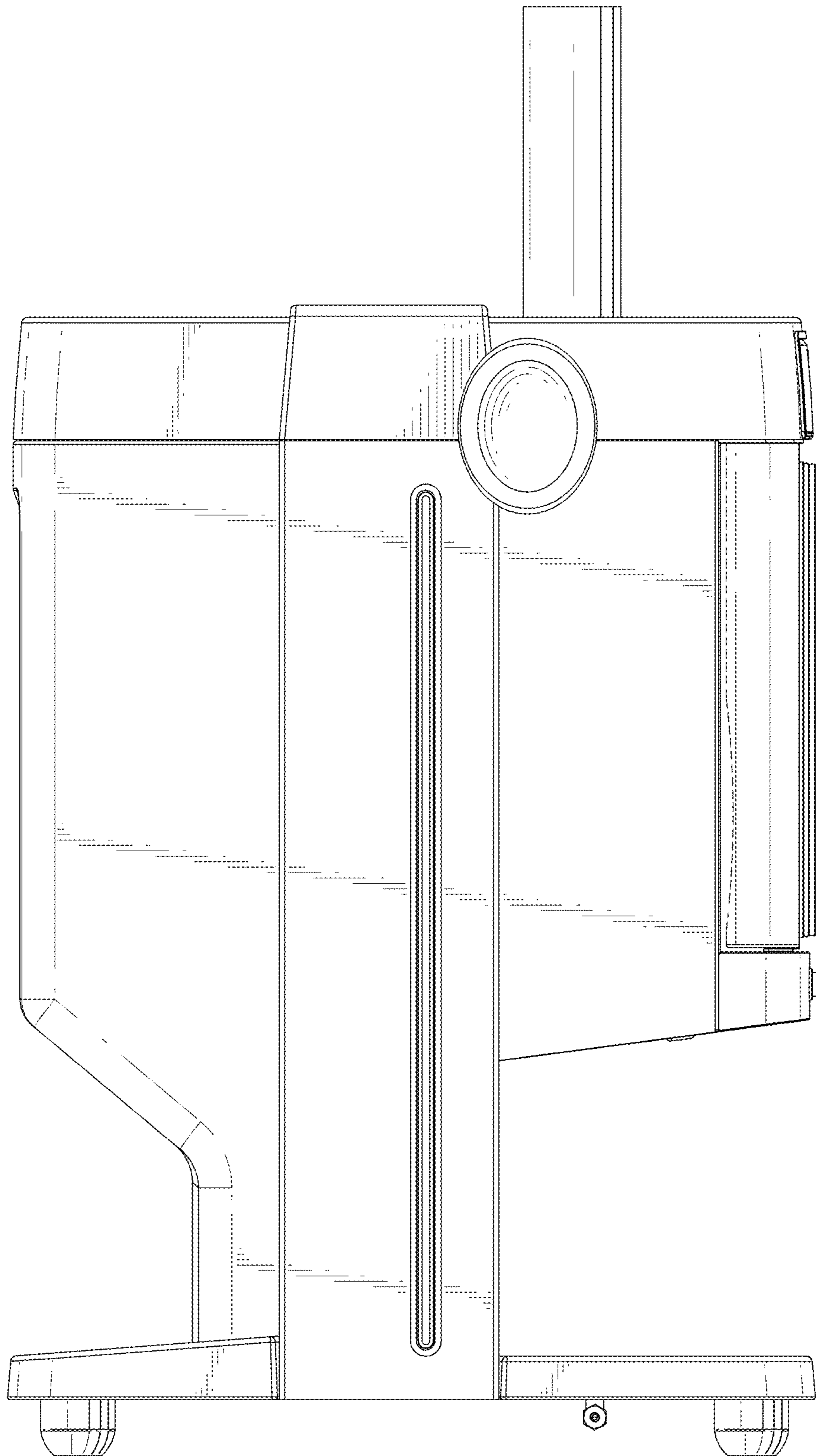


FIG.4

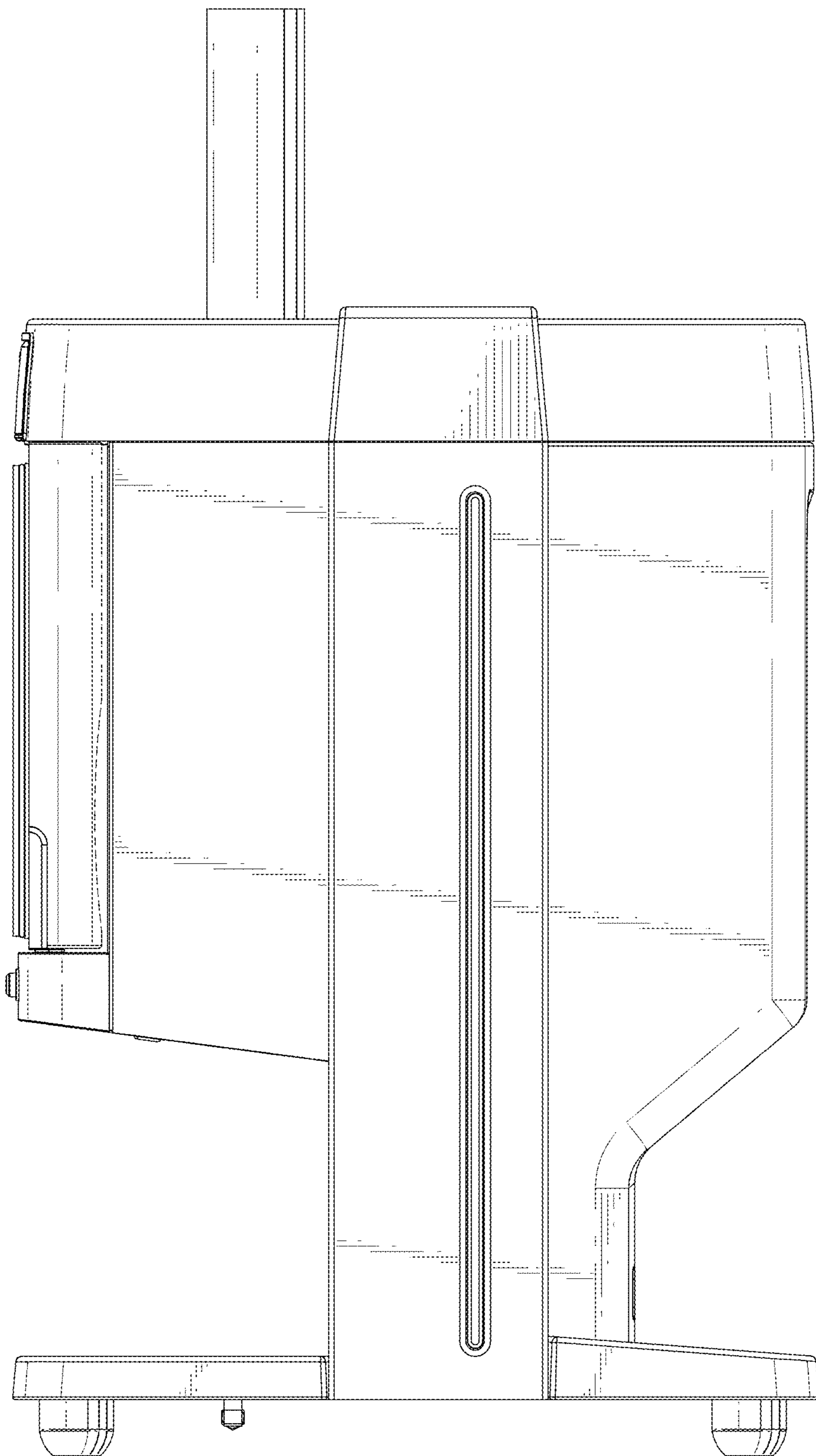


FIG.5

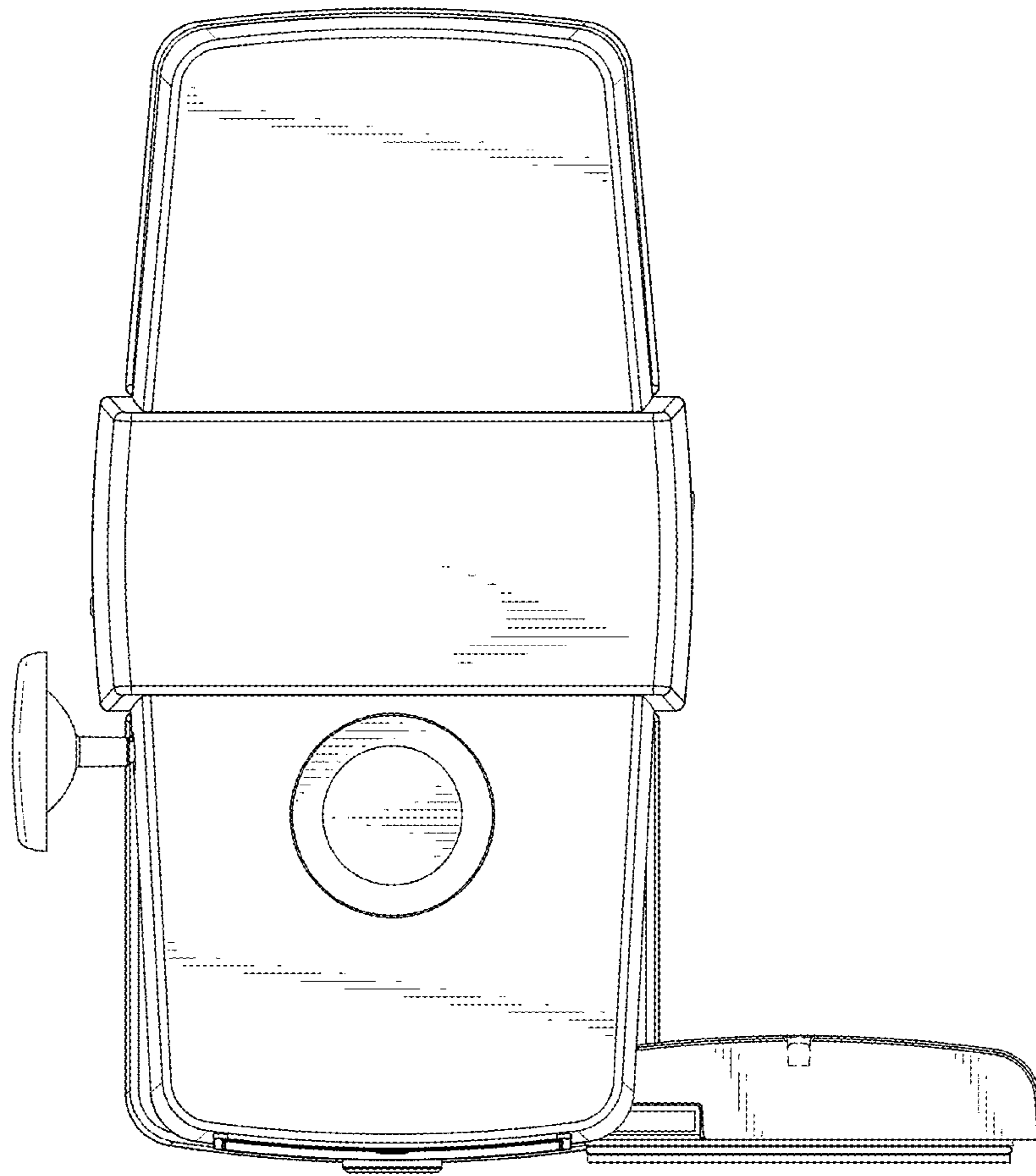


FIG.6

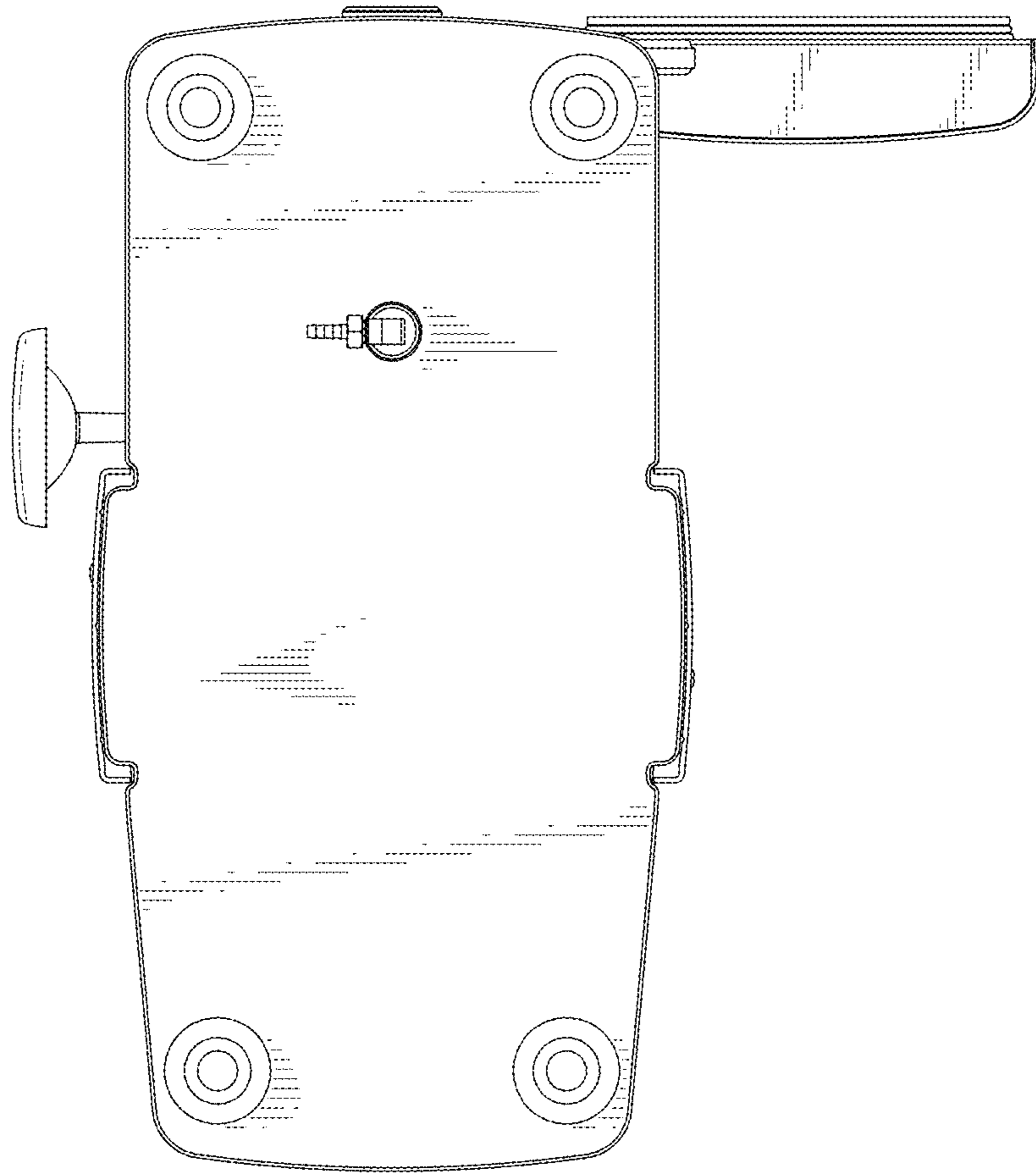


FIG.7

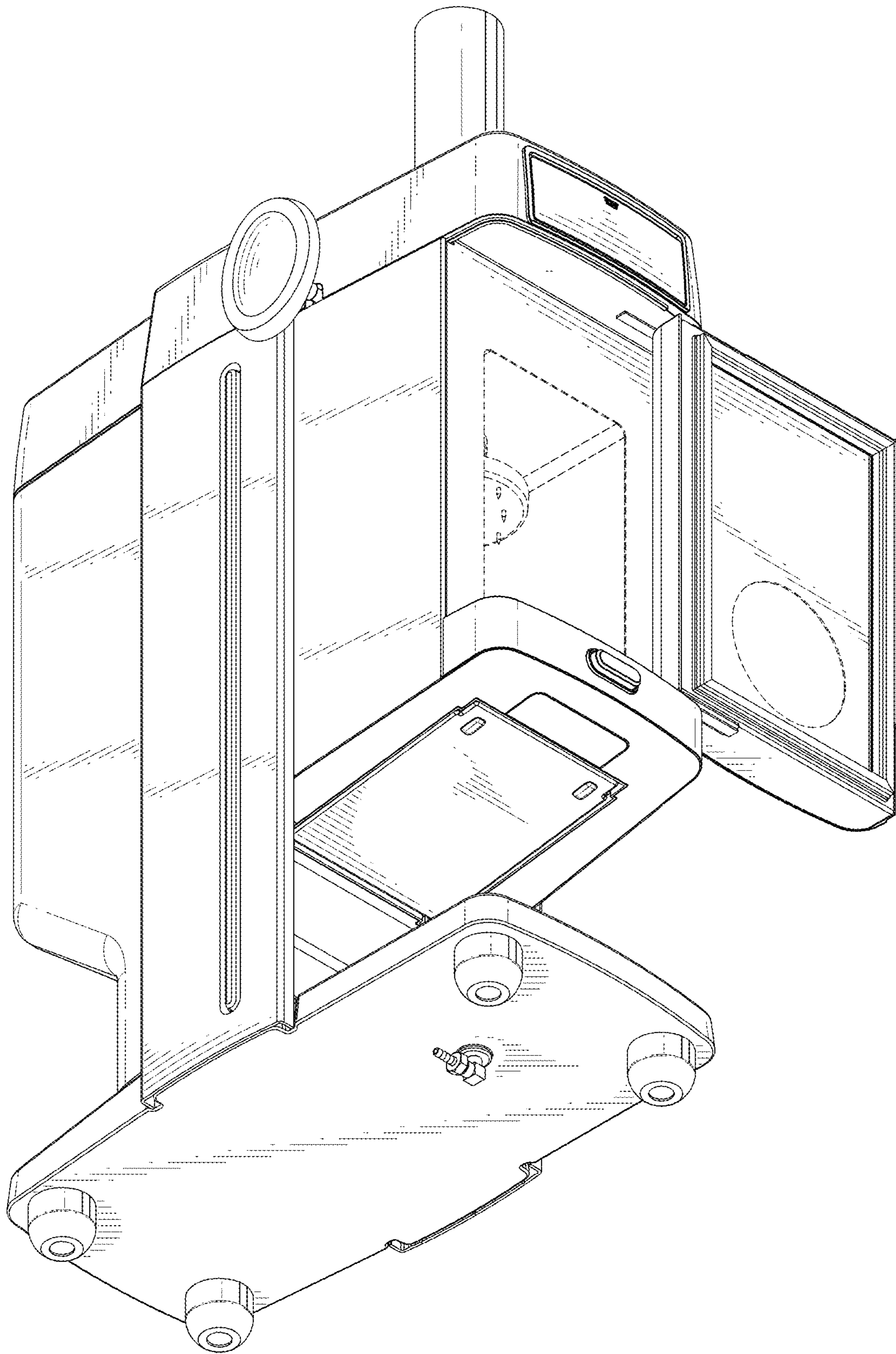


FIG.8

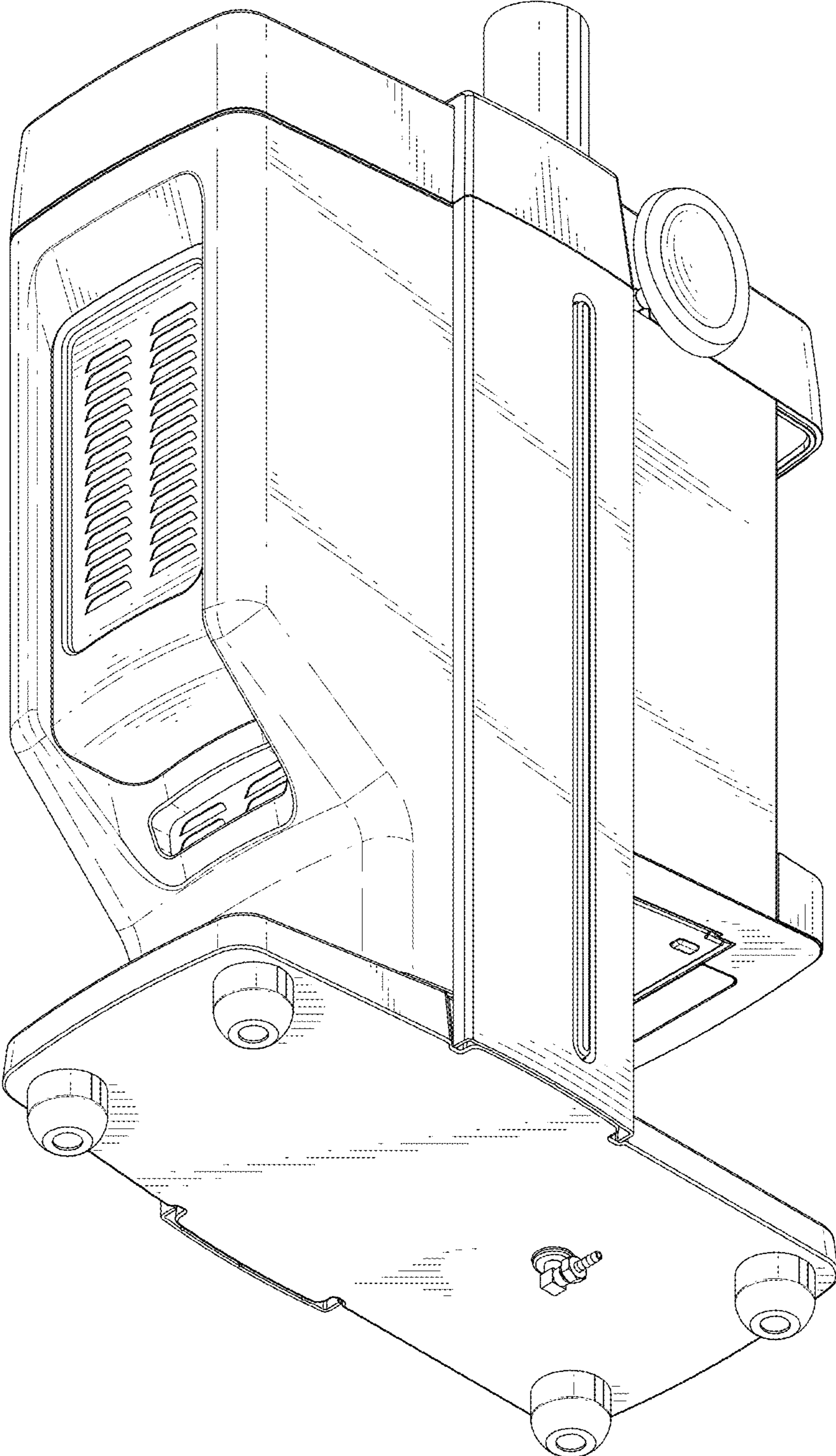


FIG.9

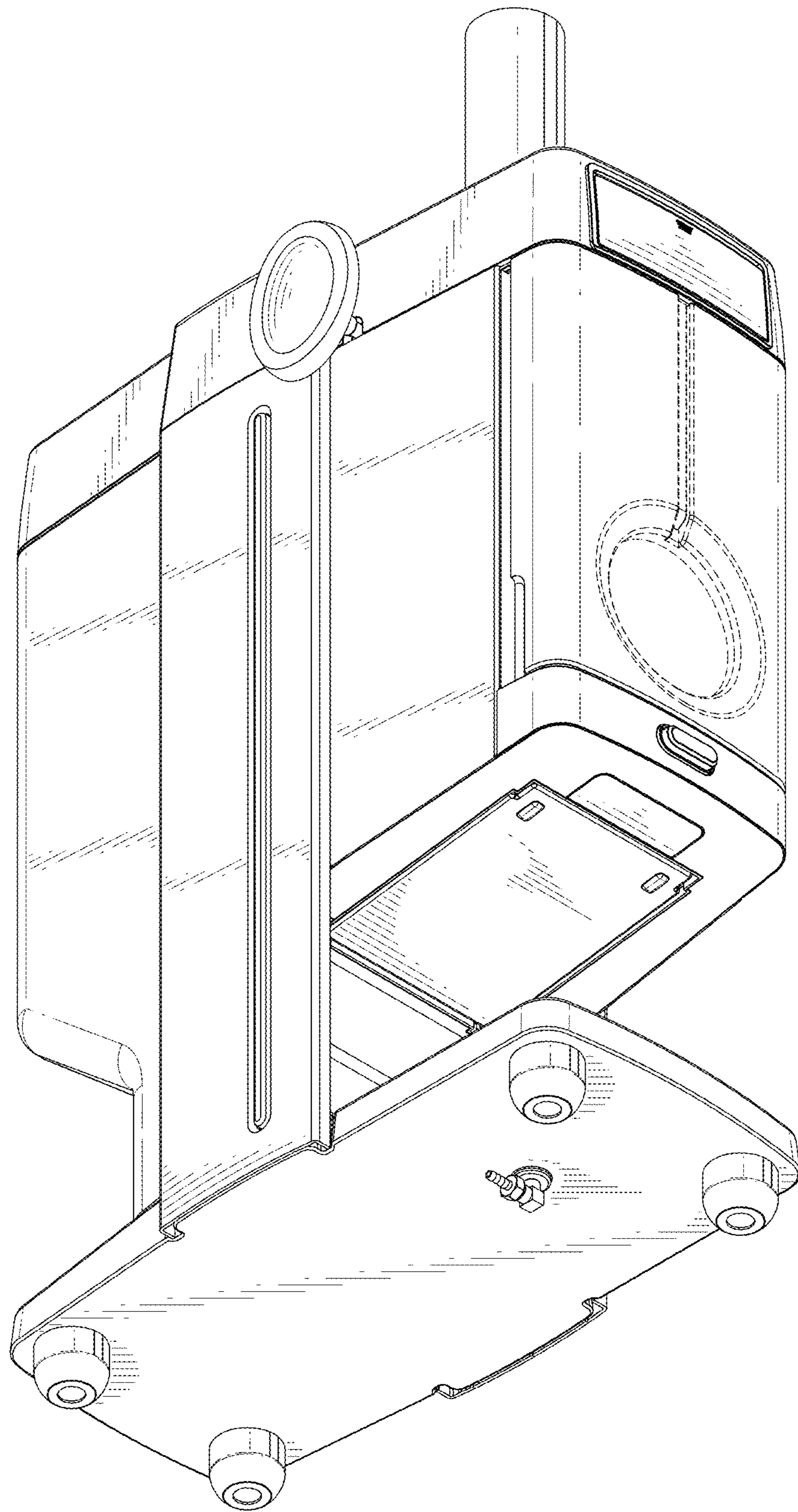


FIG.10

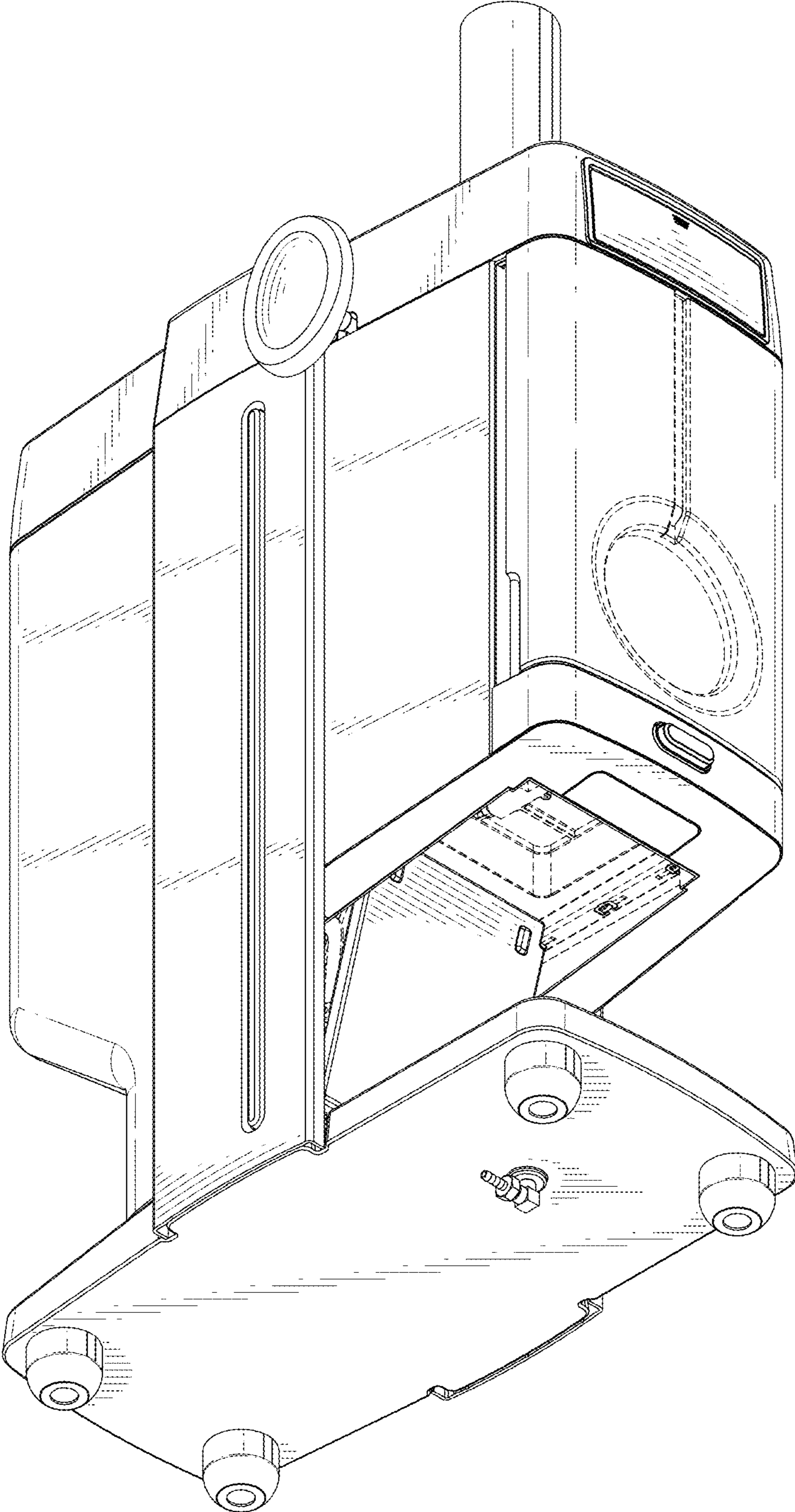


FIG.11