



US00D981173S

(12) **United States Design Patent**
Wang et al.

(10) **Patent No.:** **US D981,173 S**
(45) **Date of Patent:** **** Mar. 21, 2023**

(54) **ELECTRIC INDUCTION COOKER**

(71) Applicant: **MIDEA GROUP CO., LTD.**,
Guangdong (CN)

(72) Inventors: **Zijian Wang**, Guangdong (CN); **Yan Feng**, Guangdong (CN); **Dexiang Li**, Guangdong (CN)

(73) Assignee: **MIDEA GROUP CO., LTD.**, Foshan (CN)

(**) Term: **15 Years**

(21) Appl. No.: **35/511,141**

(22) Filed: **Oct. 20, 2020**

(80) **Hague Agreement Data**

Int. Filing Date: **Oct. 20, 2020**

Int. Reg. No.: **DM/211978**

Int. Reg. Date: **Oct. 20, 2020**

Int. Reg. Pub. Date: **Jan. 15, 2021**

(30) **Foreign Application Priority Data**

Jun. 29, 2020 (CN) 202030340217.3

(51) **LOC (14) Cl.** **07-02**

(52) **U.S. Cl.**
USPC **D7/367**

(58) **Field of Classification Search**
USPC D7/323, 362, 363, 364, 365, 367, 407
CPC H05B 6/02; H05B 6/12; H05B 6/1209;
F24C 15/10; F24C 15/103
See application file for complete search history.

(56) **References Cited**

U.S. PATENT DOCUMENTS

D232,691 S * 9/1974 Turnipseed et al. D7/363
D257,938 S * 1/1981 Danley D7/402
D289,130 S * 4/1987 Rengeji D7/363
D289,847 S * 5/1987 Okamoto D7/363

D296,509 S * 7/1988 Fuke D7/363
D297,701 S * 9/1988 Nakagawa D7/363
D326,982 S * 6/1992 Schreder D7/407
D334,108 S * 3/1993 Fisher D7/367
D336,009 S * 6/1993 Tringali D7/367
D341,987 S * 12/1993 Erickson D7/323
D347,548 S * 6/1994 Boehm D7/323
D366,390 S * 1/1996 Vitantonio D7/363
D387,240 S * 12/1997 Simmonds D7/332
D417,363 S * 12/1999 Deo D7/407
D442,426 S * 5/2001 Garber D7/354
D621,205 S * 8/2010 Yeung D7/367
D643,674 S * 8/2011 Lee D7/363
D658,429 S * 5/2012 Berge D7/354
D696,549 S * 12/2013 Pennington D7/367
D745,321 S * 12/2015 Koch D7/407
D758,783 S * 6/2016 Lee D7/346
D790,910 S * 7/2017 Hosoda D7/367
D796,253 S * 9/2017 Shen D7/362
D811,803 S * 3/2018 Lee D7/362
D815,885 S * 4/2018 Lee D7/362
D817,699 S * 5/2018 Lee D7/362
D817,700 S * 5/2018 Lee D7/362
D829,502 S * 10/2018 Kastner D7/407
D830,762 S * 10/2018 Bassill D7/367
D830,763 S * 10/2018 Bassill D7/367

(Continued)

Primary Examiner — Steven J Czyz

(57) **CLAIM**

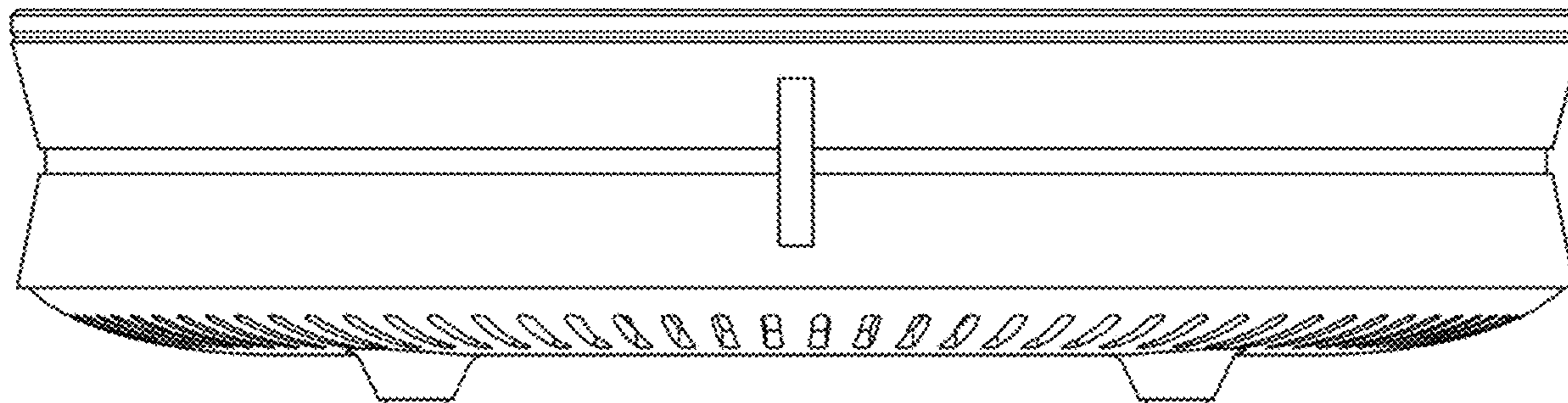
The ornamental design for an electric induction cooker, as shown and described.

DESCRIPTION

- 1. Electric induction cooker
- 1.1 Front
- 1.2 Back
- 1.3 Left
- 1.4 Right
- 1.5 Top
- 1.6 Bottom
- 1.7 Perspective

The broken lines shown in the reproductions depict portions of the electric induction cooker that form no part of the claimed design.

1 Claim, 7 Drawing Sheets



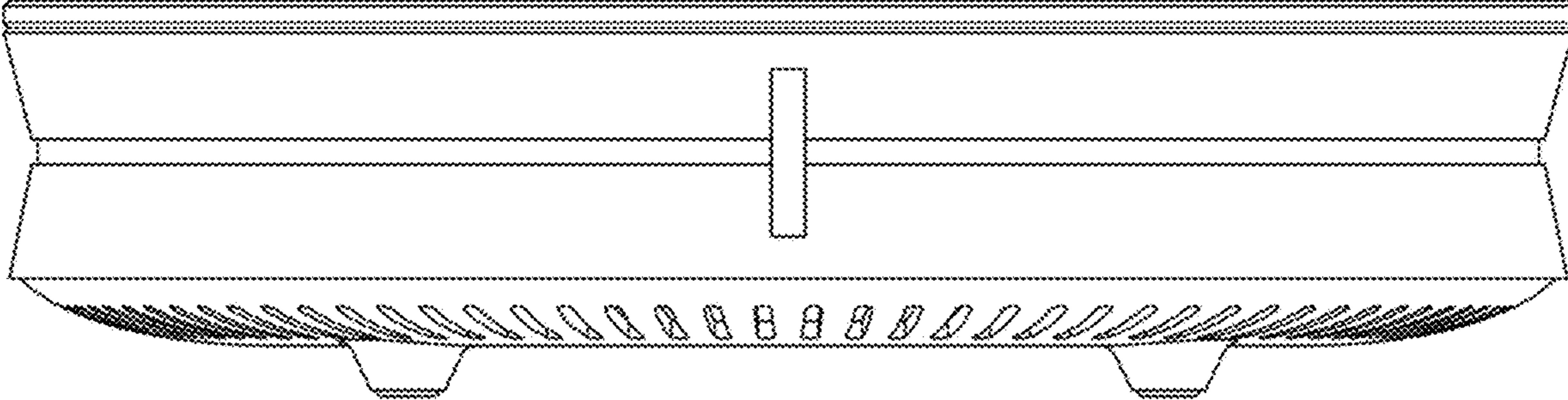
(56)

References Cited

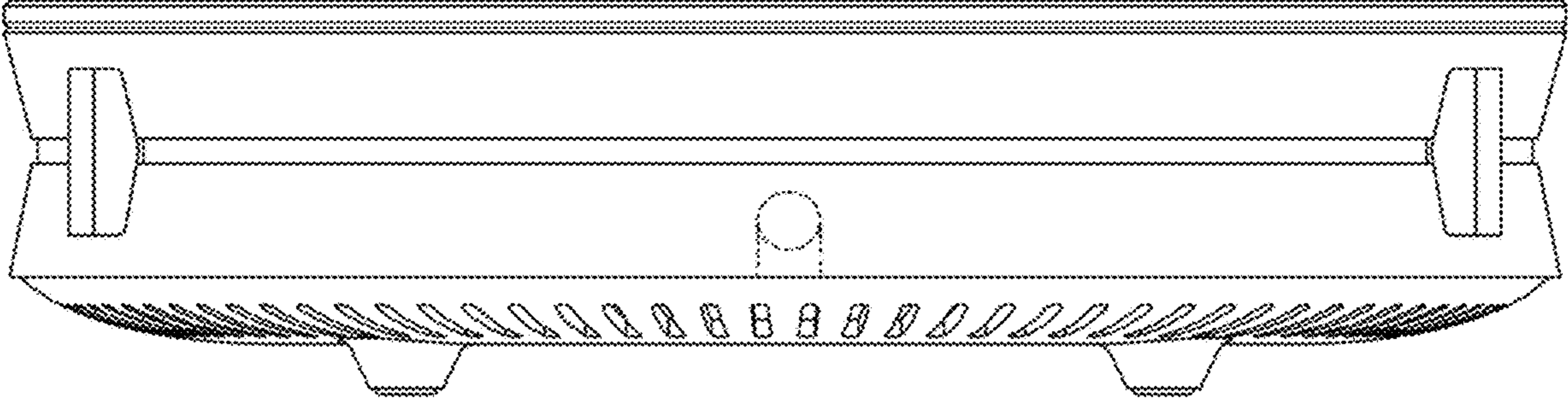
U.S. PATENT DOCUMENTS

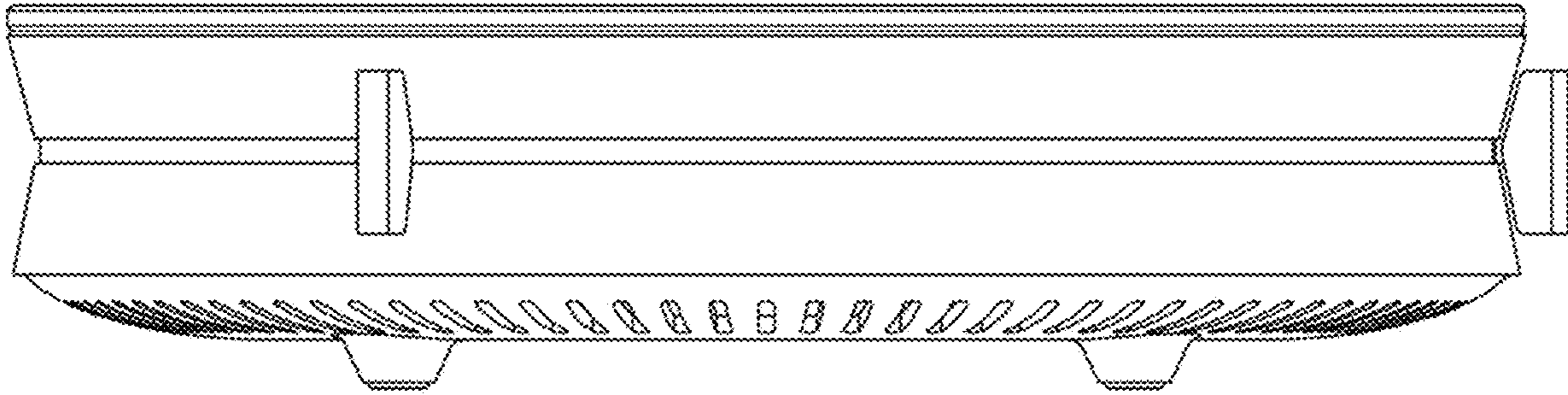
D833,203 S * 11/2018 Lee H05B 6/1209
D7/354
D850,184 S * 6/2019 Marsh D7/354
D856,742 S * 8/2019 Mano D7/346
D856,743 S * 8/2019 Mano D7/346
10,455,649 B2 * 10/2019 Viroli H05B 6/1209
D884,412 S * 5/2020 Tan D7/367
D906,037 S * 12/2020 Yuan D7/362
D911,765 S * 3/2021 Jiang D7/367
D912,458 S * 3/2021 Costacurta D7/367
D925,266 S * 7/2021 Xue D7/360
D925,268 S * 7/2021 Tan D7/367
D939,881 S * 1/2022 Liang D7/337
D942,797 S * 2/2022 Chen H01H 25/065
D7/354
D943,335 S * 2/2022 Sabin D7/354
D943,337 S * 2/2022 Chen D7/354
D943,524 S * 2/2022 Zheng D13/108
D945,812 S * 3/2022 McVey H05B 6/065
D7/354
D945,814 S * 3/2022 DeAngelis D7/412
2012/0152932 A1 * 6/2012 Moon H05B 6/1263
219/601
2013/0186609 A1 * 7/2013 Tsai H05B 6/1209
165/185
2013/0240505 A1 * 9/2013 Moon H05B 6/12
219/632
2018/0077758 A1 * 3/2018 Lim A23L 5/15
2018/0199401 A1 * 7/2018 Moon H05B 6/1227
2018/0332998 A1 * 11/2018 Schmidt H05B 6/065
2019/0301744 A1 * 10/2019 Yang H01H 25/065

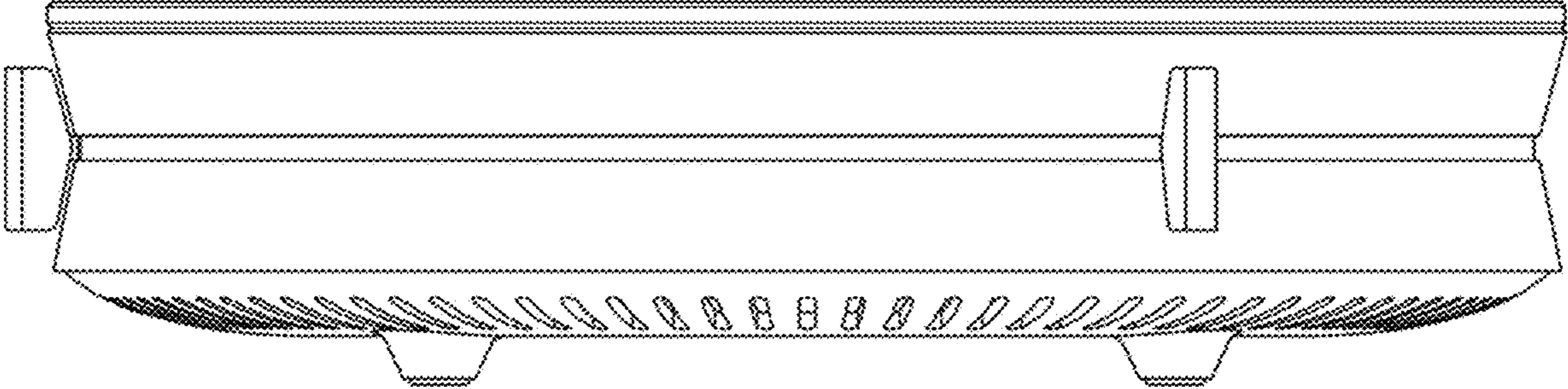
* cited by examiner

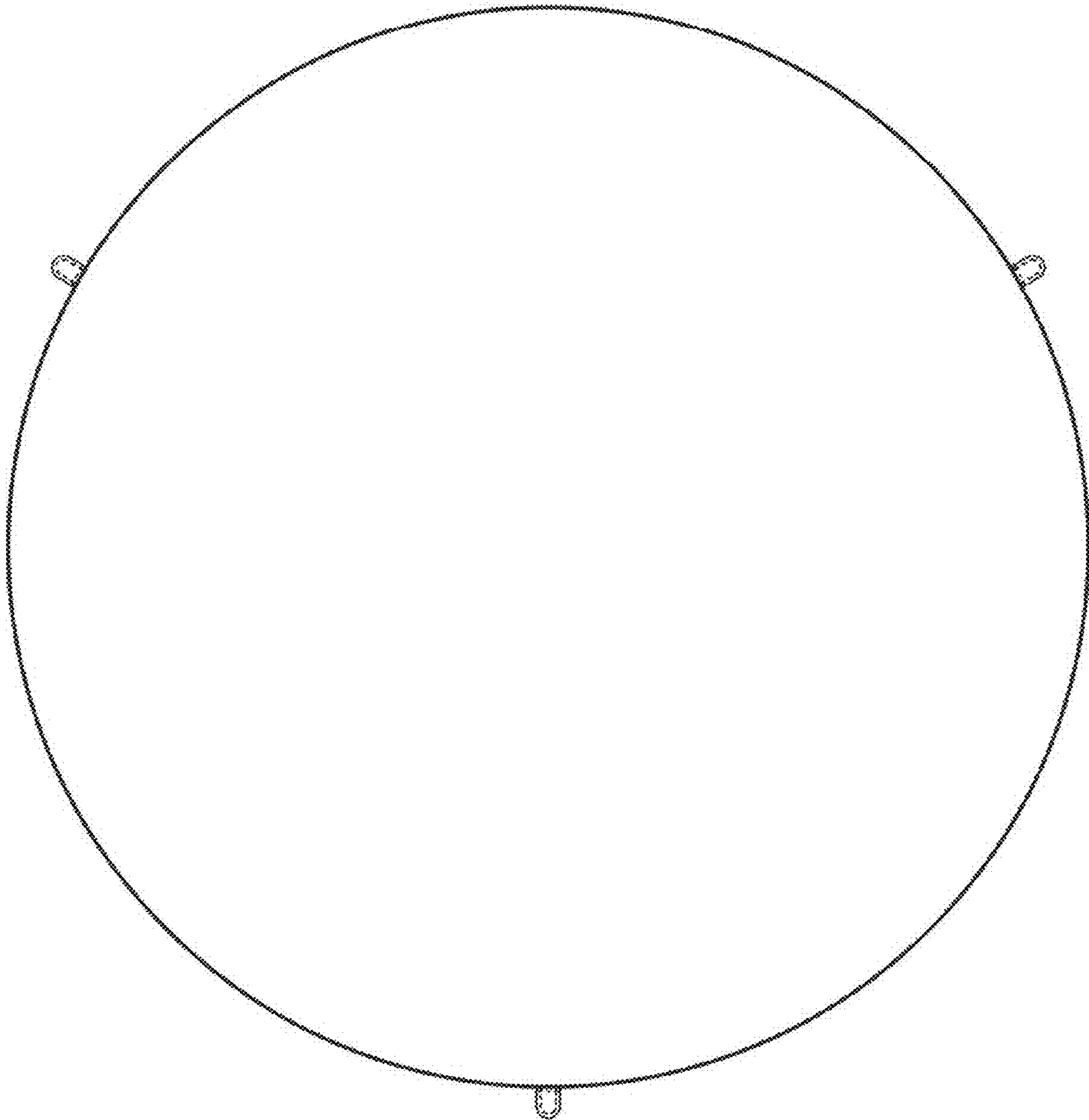


1.1









1.5

1.6

