



US00D981172S

(12) **United States Design Patent**  
**Liang**

(10) **Patent No.:** **US D981,172 S**  
(45) **Date of Patent:** **\*\* Mar. 21, 2023**

- (54) **ELECTRIC HOT POT**
- (71) Applicant: **Yanxi Liang**, Chaozhou (CN)
- (72) Inventor: **Yanxi Liang**, Chaozhou (CN)
- (\*\*) Term: **15 Years**
- (21) Appl. No.: **29/850,418**
- (22) Filed: **Aug. 19, 2022**
- (51) **LOC (14) Cl.** ..... **07-02**
- (52) **U.S. Cl.**  
USPC ..... **D7/360; D7/354**
- (58) **Field of Classification Search**  
USPC ..... D7/323, 354-361, 383, 386  
CPC ..... A23L 1/01; A23L 1/0107; A23L 1/0114;  
A47J 27/00; A47J 27/08; A47J 27/09;  
A47J 27/092; A47J 27/10; A47J 36/025;  
A47J 36/06; A47J 36/08; A47J 36/10;  
A47J 36/12; A47J 36/18; A47J 36/20;  
A47J 36/22; A47J 36/165; A47J 37/00;  
A47J 37/0641; A47J 37/0664; A47J  
37/12; A47J 37/129; A47J 37/1204; A47J  
37/1209; A47J 37/1214; A47J 37/1219;  
A47J 37/1266; A47J 37/1285; A47J  
37/1295; G07F 17/0064; G07F 17/0078;  
G07F 17/0085; H05B 6/02; H05B 6/06;  
H05B 6/12  
See application file for complete search history.

D598,701 S	8/2009	Okajima	
D620,743 S *	8/2010	Hsiao	D7/354
D647,752 S *	11/2011	Curtis	D7/354
D651,034 S *	12/2011	Eades	A47J 27/10
			D7/323
D747,133 S *	1/2016	Dutruel	D7/354
D750,419 S *	3/2016	Hu	D7/354
D817,068 S *	5/2018	Eades	D7/354
D887,198 S *	6/2020	Zhao	D7/354

**OTHER PUBLICATIONS**

Salton Stainless Steel Construction Compact Deep Fryer. Date First Available on Amazon.com Oct. 6, 2015. <https://www.amazon.com/dp/B016BJDL40/ref> (Year: 2015).\*

\* cited by examiner

*Primary Examiner* — Ricky Pham

(57) **CLAIM**

The ornamental design for an electric hot pot, as shown and described.

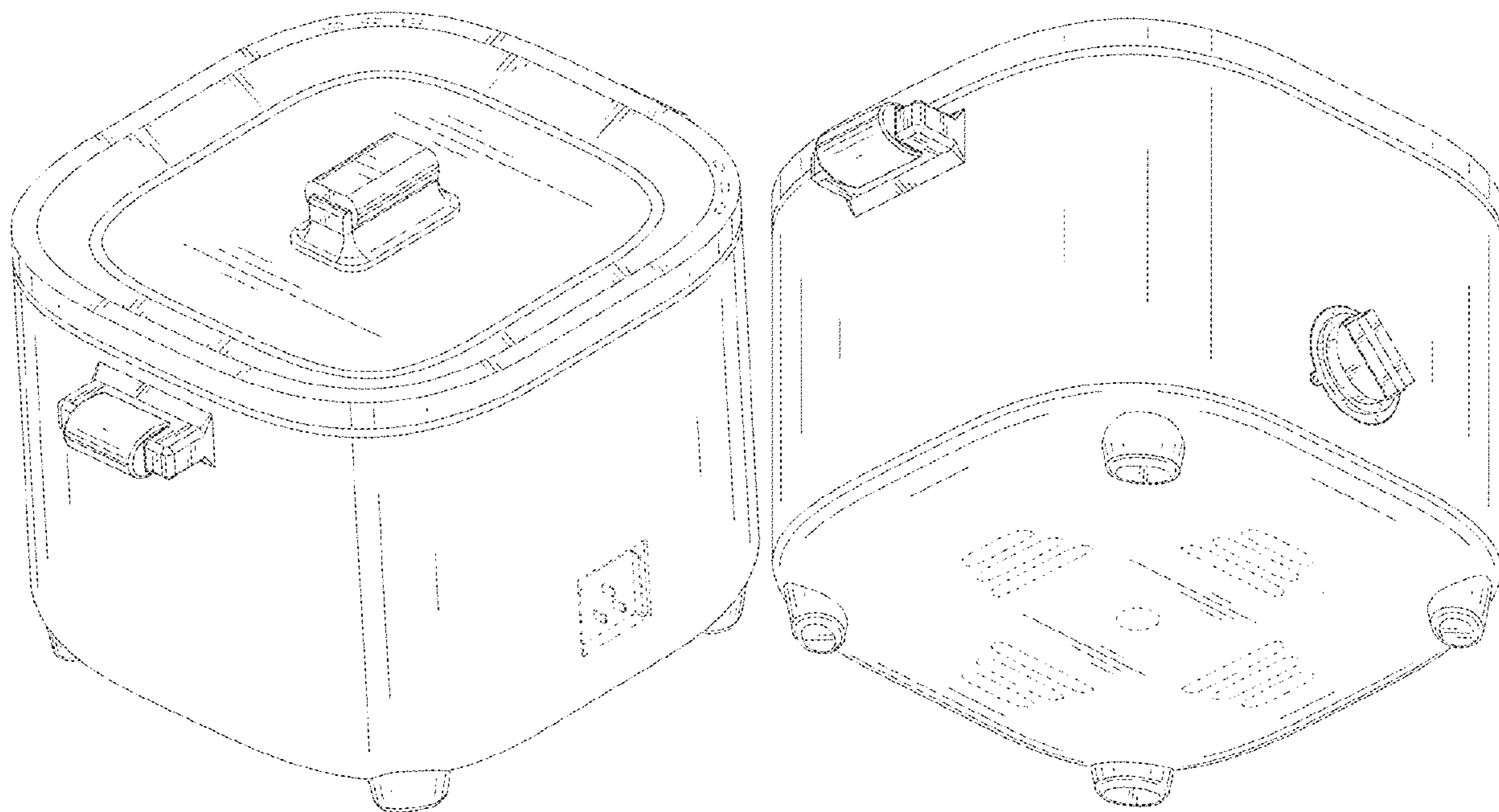
**DESCRIPTION**

FIG. 1 is a rear and top perspective view of an electric hot pot, showing my new design;  
 FIG. 2 is a front and bottom perspective view thereof;  
 FIG. 3 is a top plan view thereof;  
 FIG. 4 is a bottom plan view thereof;  
 FIG. 5 is a left side elevation view thereof;  
 FIG. 6 is a right side elevation view thereof;  
 FIG. 7 is a rear elevation view thereof; and,  
 FIG. 8 is a front elevation view thereof.  
 The broken lines in the figures illustrate portions of the electric hot pot that form no part of the claimed design.

**1 Claim, 8 Drawing Sheets**

(56) **References Cited**  
**U.S. PATENT DOCUMENTS**

D169,576 S *	5/1953	Budlane et al.	D7/360
D360,804 S *	8/1995	Hamada	D7/354



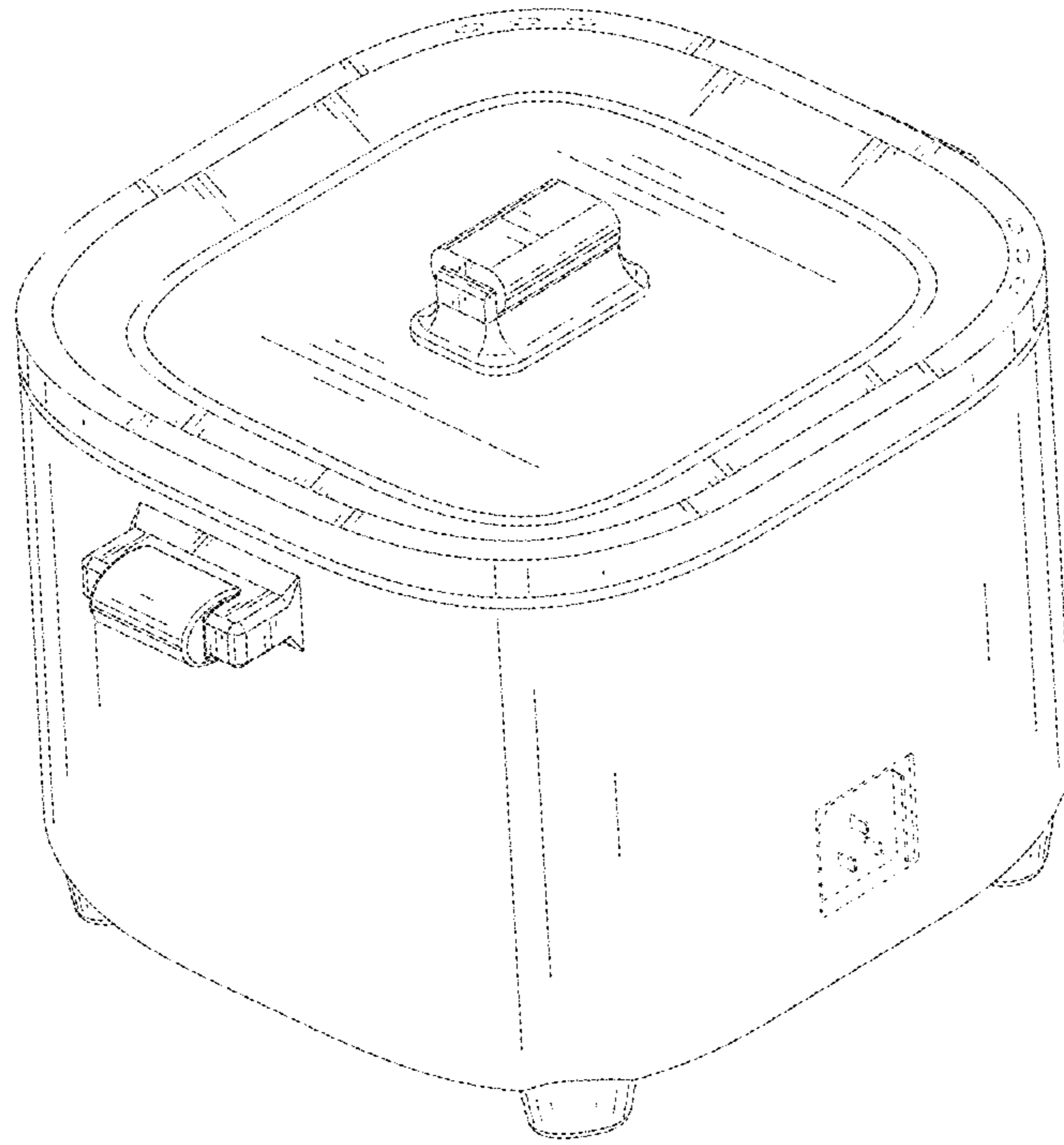


FIG. 1

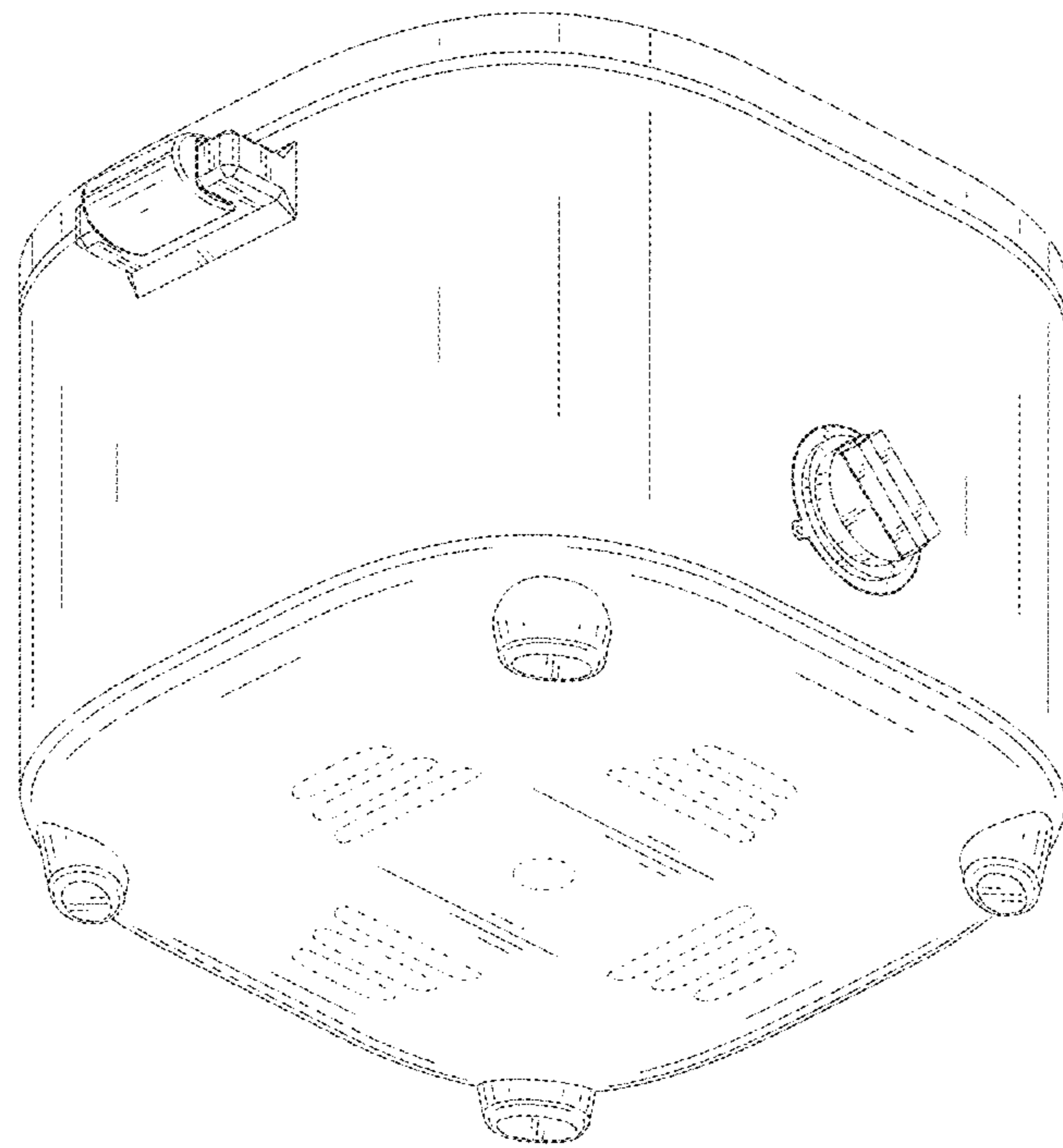


FIG.2

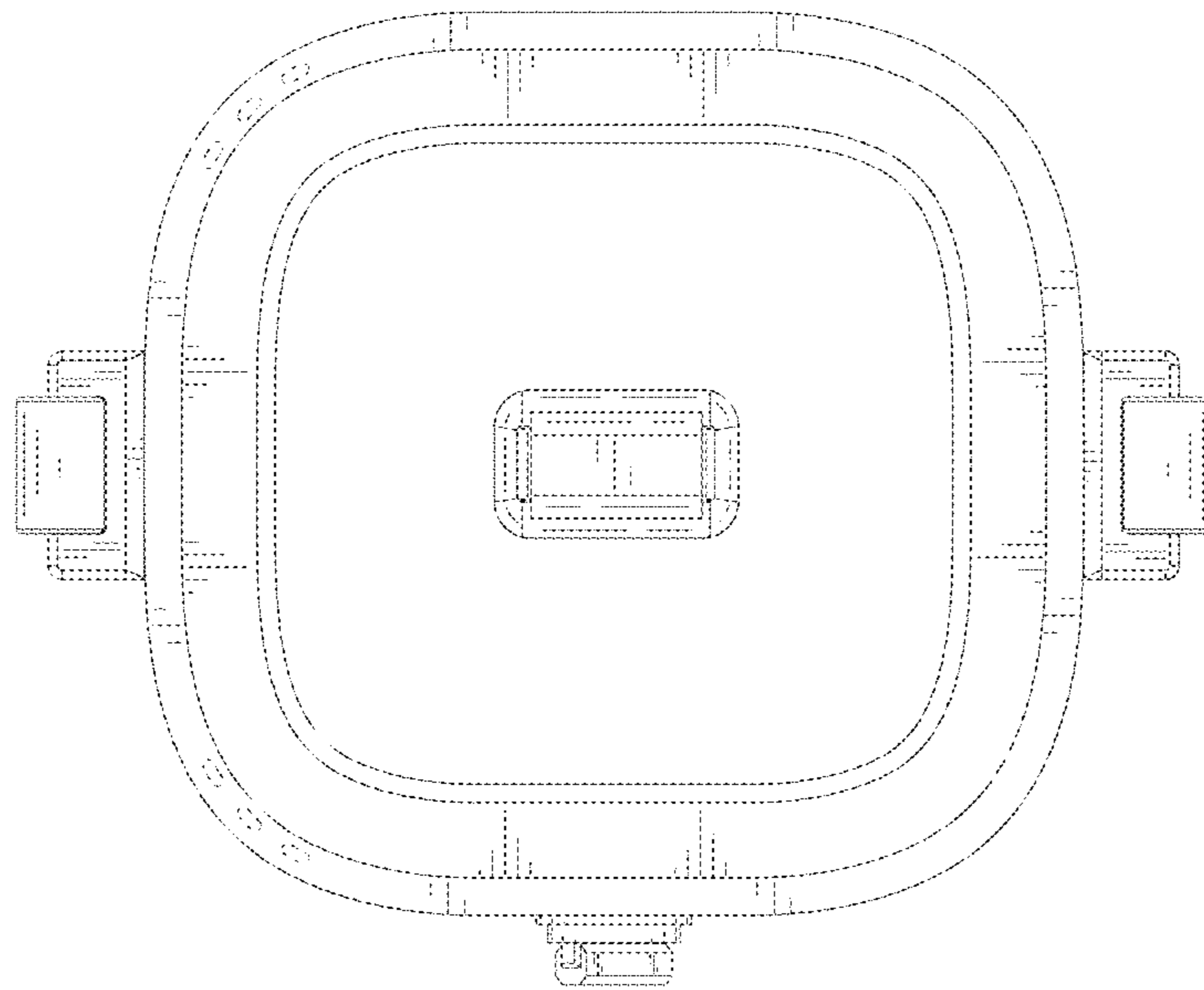


FIG.3

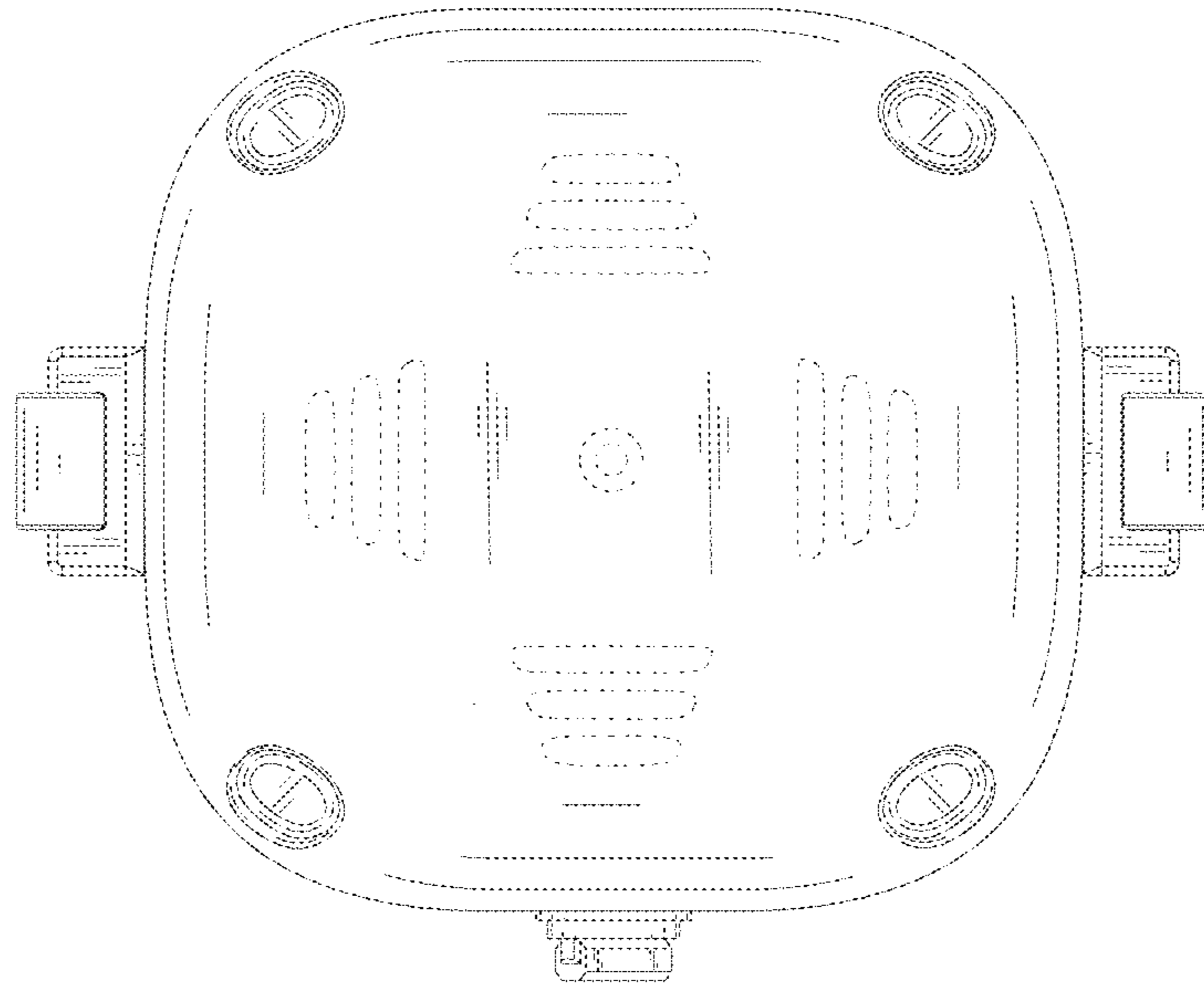


FIG. 4

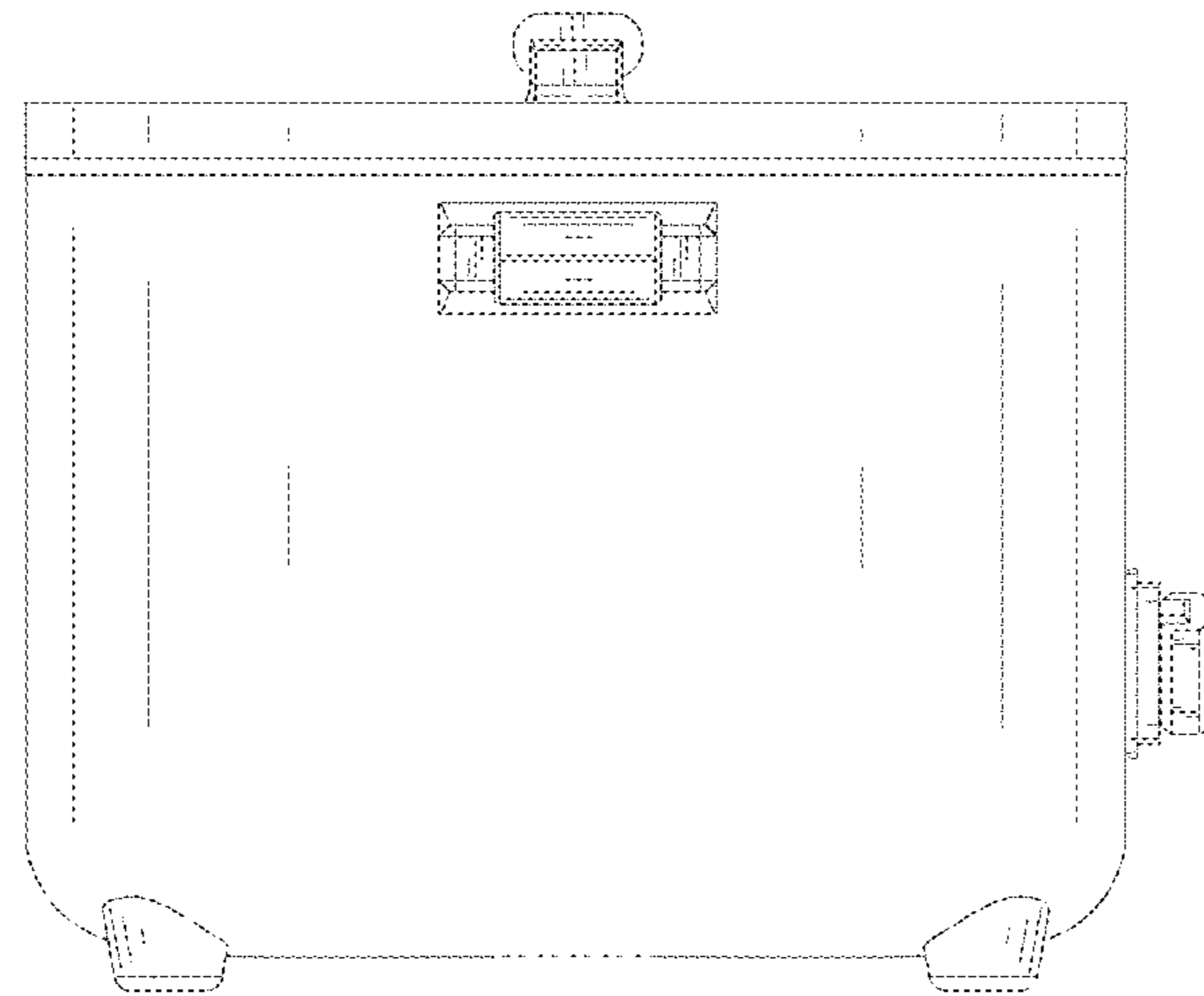


FIG.5

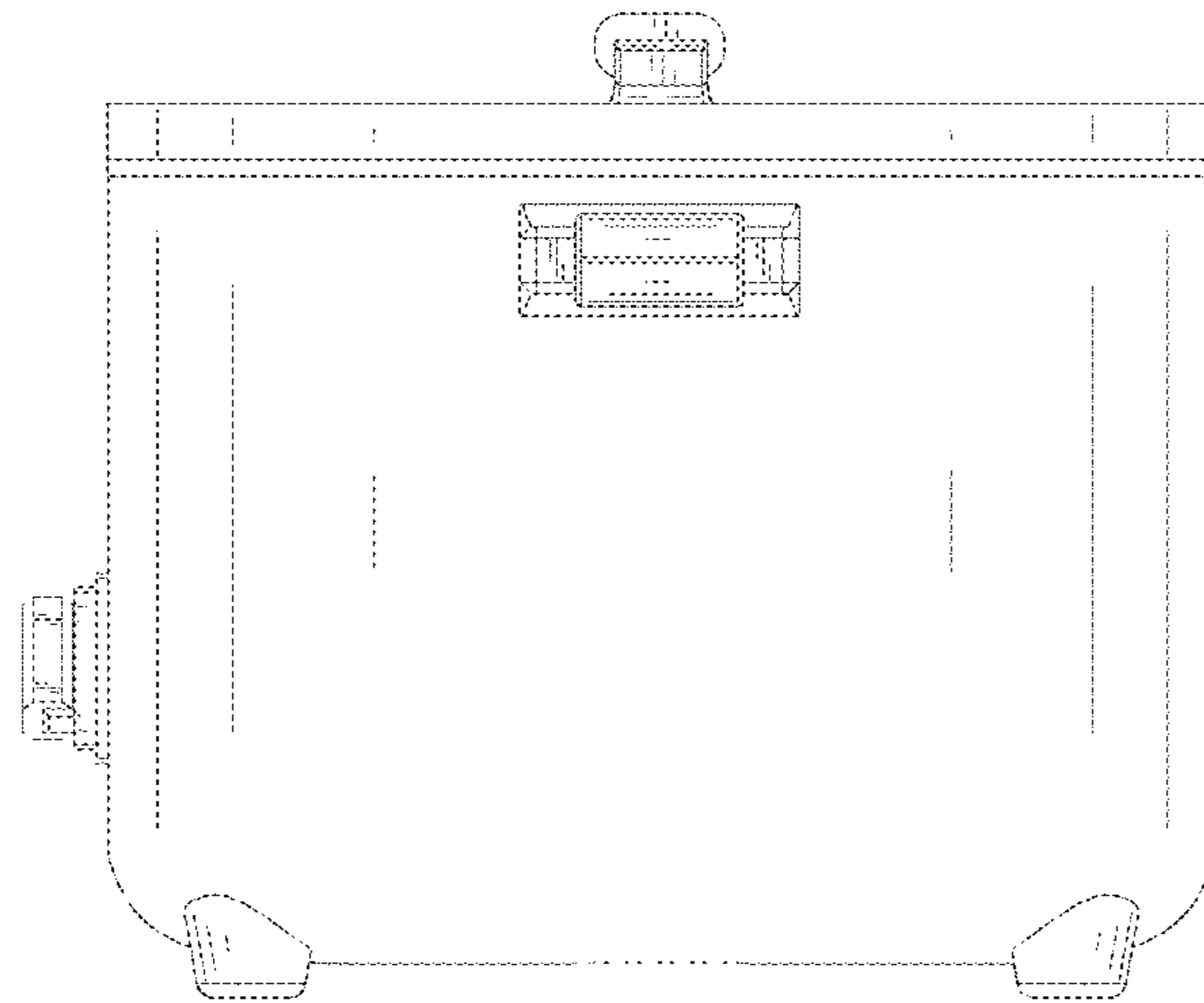


FIG.6

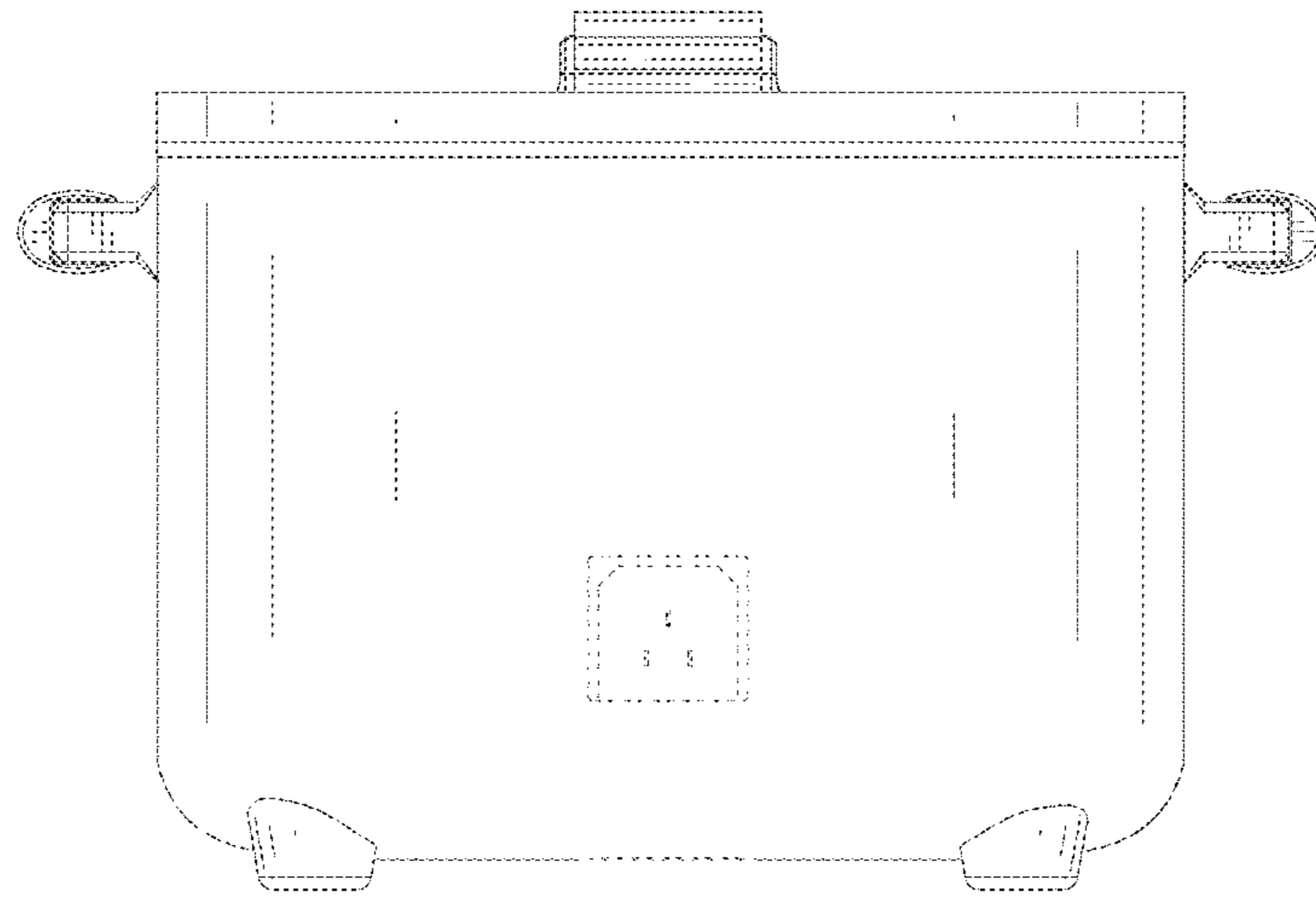


FIG. 7



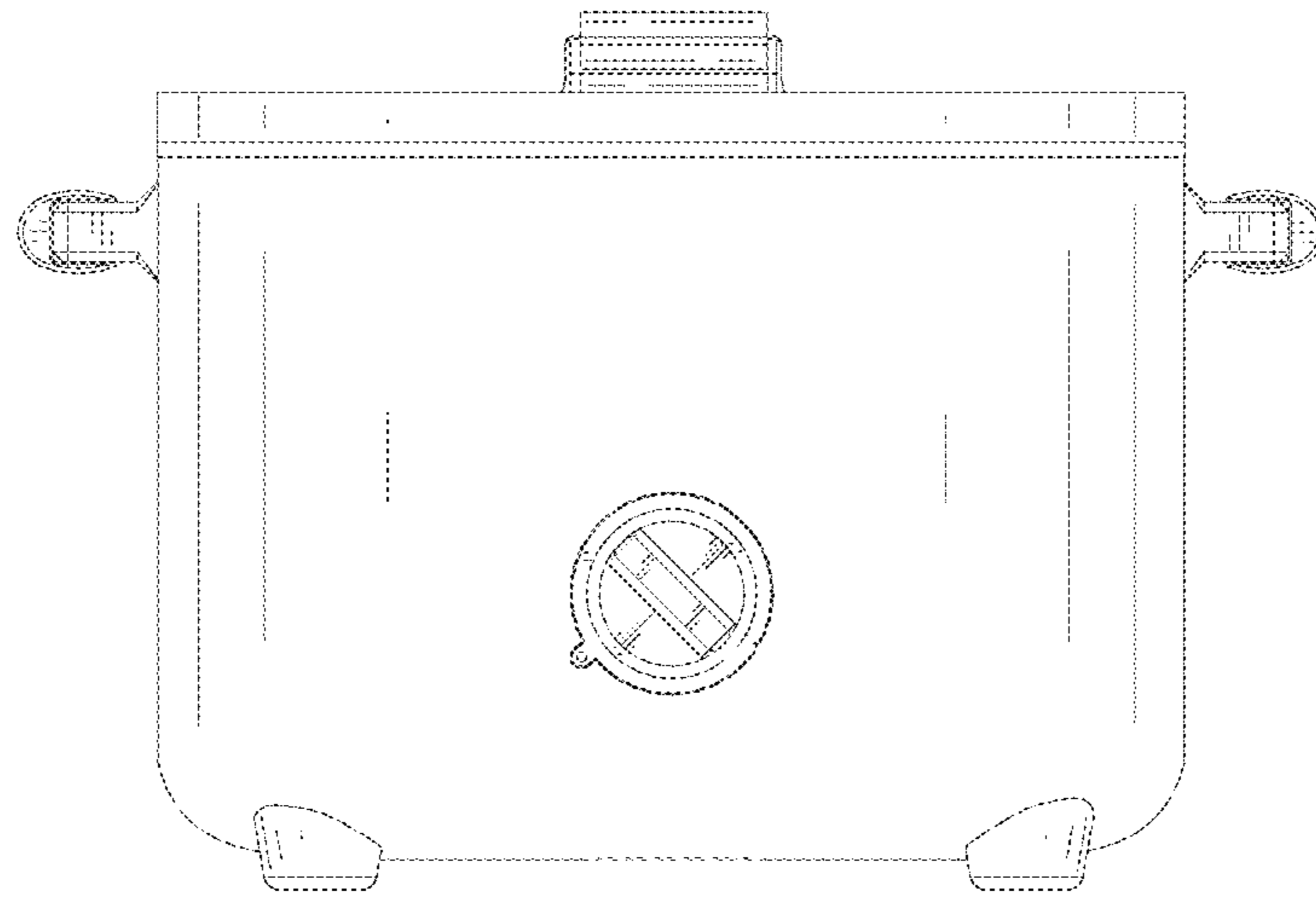


FIG. 8