

US00D981170S

(12) **United States Design Patent** (10) **Patent No.:** **US D981,170 S**
Sun (45) **Date of Patent:** **** Mar. 21, 2023**

(54) **AIR FRYER**

(71) Applicant: **NINGBO MANHUA ELECTRICAL APPLIANCES CO., LTD.**, Cixi (CN)

(72) Inventor: **Wenhua Sun**, Cixi (CN)

(73) Assignee: **NINGBO MANHUA ELECTRICAL APPLIANCES CO., LTD.**, Cixi (CN)

(**) Term: **15 Years**

(21) Appl. No.: **29/808,320**

(22) Filed: **Sep. 17, 2021**

(51) **LOC (14) Cl.** **07-02**

(52) **U.S. Cl.**
USPC **D7/354**

(58) **Field of Classification Search**
USPC D7/323, 354-361
CPC A23L 1/01; A23L 1/0107; A23L 1/0114;
A47J 27/00; A47J 27/08; A47J 27/09;
A47J 27/092; A47J 36/025; A47J 36/06;
A47J 36/08; A47J 36/10; A47J 36/12;
A47J 36/18; A47J 36/20; A47J 36/22;
A47J 36/165; A47J 37/00; A47J 37/0641;
A47J 37/12; A47J 37/129; A47J 37/1204;
A47J 37/1209; A47J 37/1214; A47J
37/1219; A47J 37/1266; A47J 37/1285;
A47J 37/1295; G07F 17/0064; G07F
17/0078; G07F 17/0085; H05B 6/02;
H05B 6/06; H05B 6/12

See application file for complete search history.

(56) **References Cited**

U.S. PATENT DOCUMENTS

D836,383 S * 12/2018 Dutruel D7/354
D875,463 S * 2/2020 Chen D7/354

D878,138 S * 3/2020 Van Ratingen D7/354
D880,220 S * 4/2020 Chen D7/354
D883,729 S * 5/2020 Yang D7/354
11,045,046 B1 * 6/2021 Man A47J 37/0641
D938,218 S * 12/2021 Dubeau D7/354
D938,774 S * 12/2021 Dubeau D7/354
D939,886 S * 1/2022 Yang D7/354
11,297,977 B1 * 4/2022 Man A47J 37/0641
D970,959 S * 11/2022 Biegeleisen D7/354

OTHER PUBLICATIONS

Crownful 8 Quart 8 in 1 Dual Basket Air Fryer. Date First Available on Amazon.com Aug. 2, 2021. <https://www.amazon.com/dp/B09KNBHWSJ/ref> (Year: 2021).*

* cited by examiner

Primary Examiner — Ricky Pham

(74) *Attorney, Agent, or Firm* — Jiwen Chen; Joywin IP Law PLLC

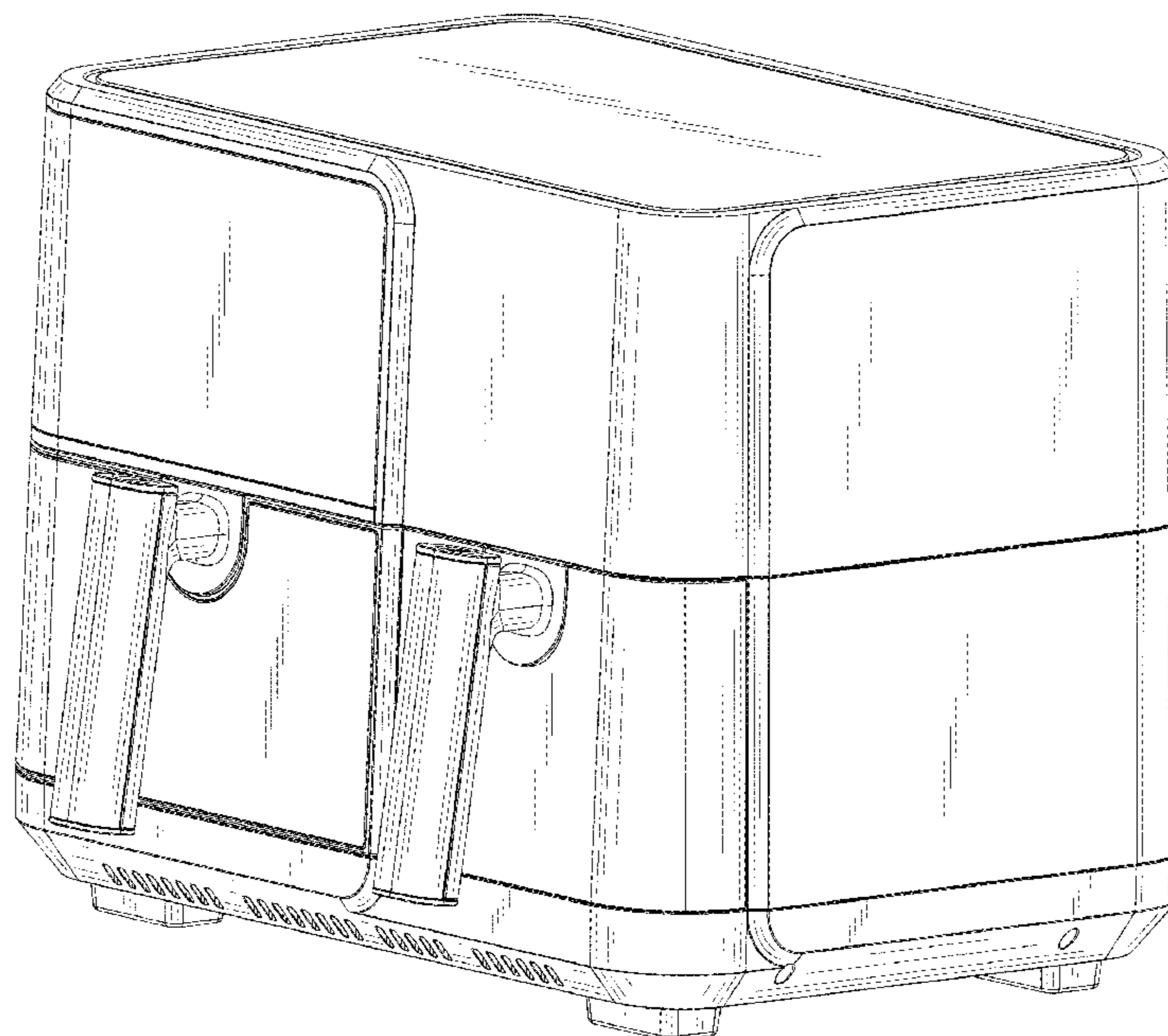
(57) **CLAIM**

An ornamental design for the air fryer, as shown and described.

DESCRIPTION

FIG. 1 is a perspective view of the air fryer showing the design;
FIG. 2 is a front elevational view thereof;
FIG. 3 is a rear elevational view thereof;
FIG. 4 is a right side view thereof;
FIG. 5 is a left side view thereof;
FIG. 6 is a top plan view thereof; and,
FIG. 7 is a bottom plan view thereof, wherein the broken line is for illustrative purposes only and forms no part of the claimed design.

1 Claim, 7 Drawing Sheets



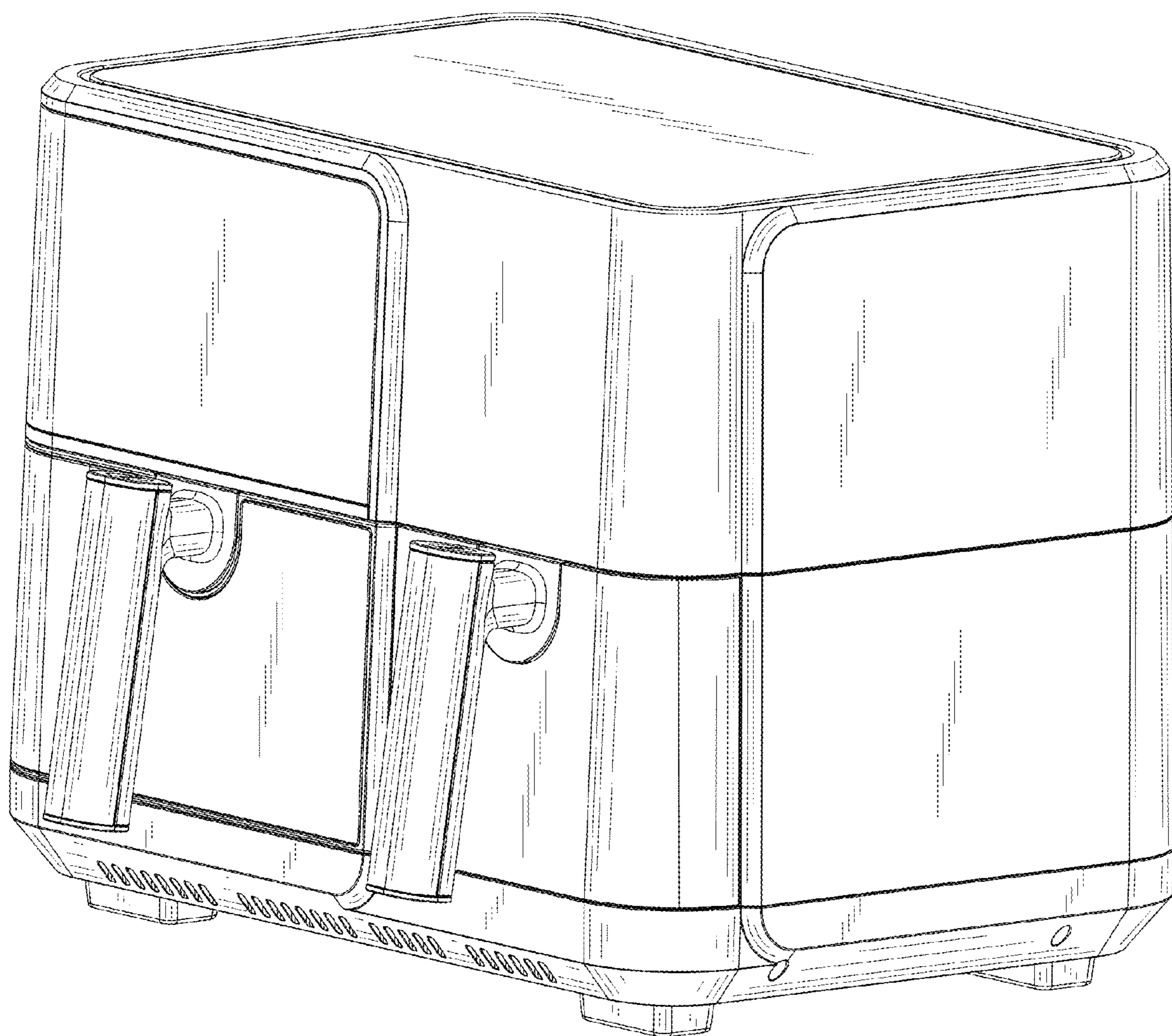


FIG. 1

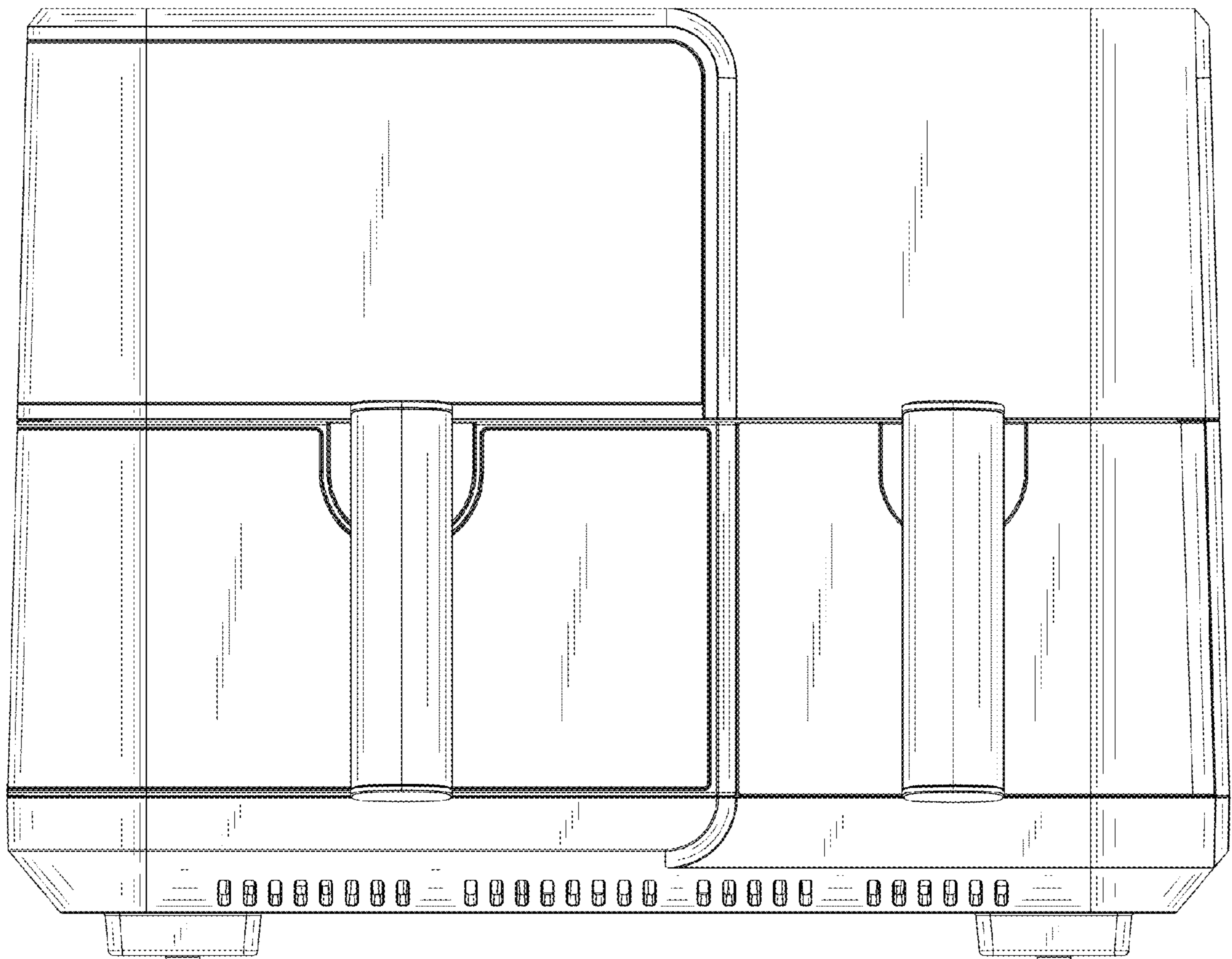


FIG. 2

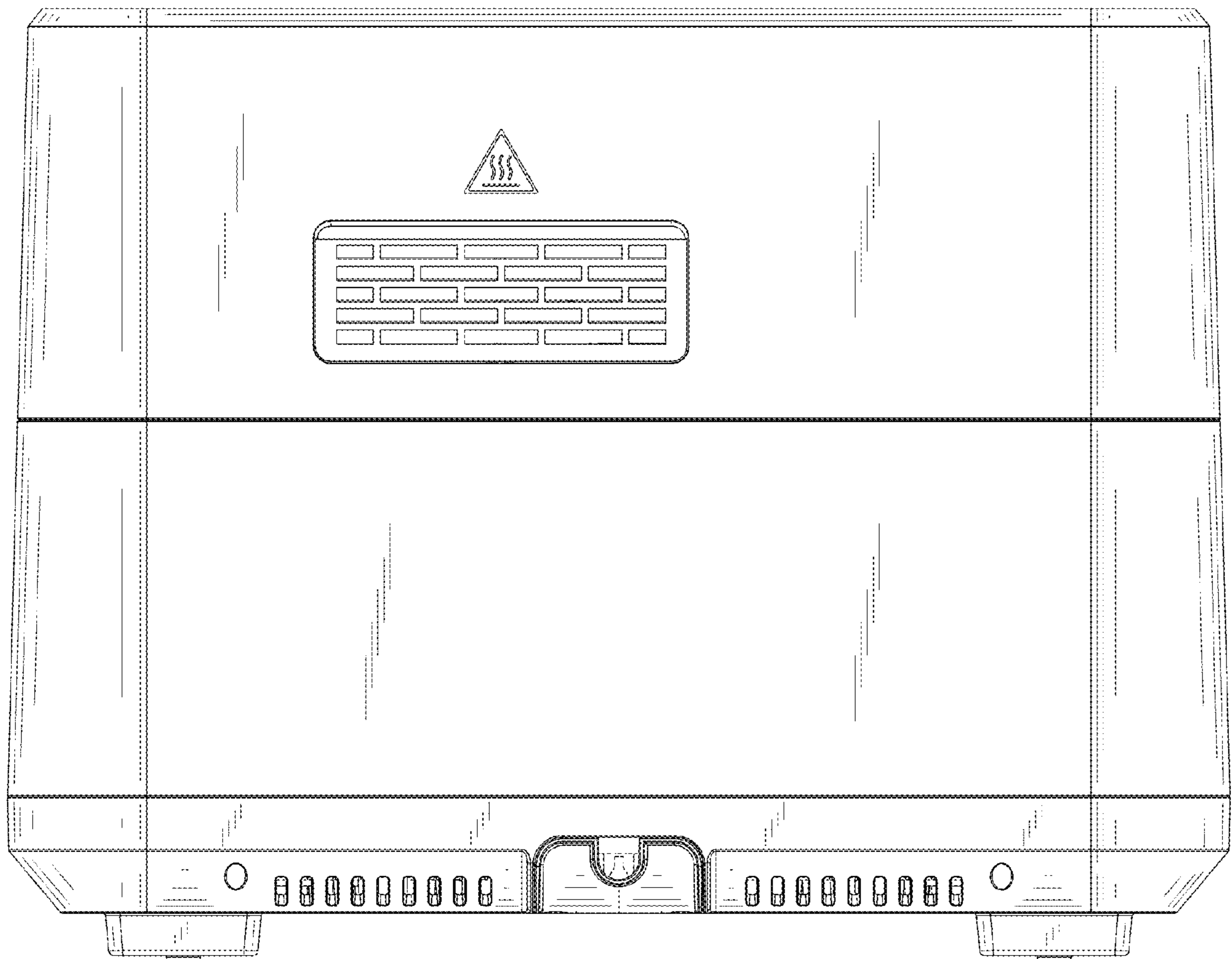


FIG. 3

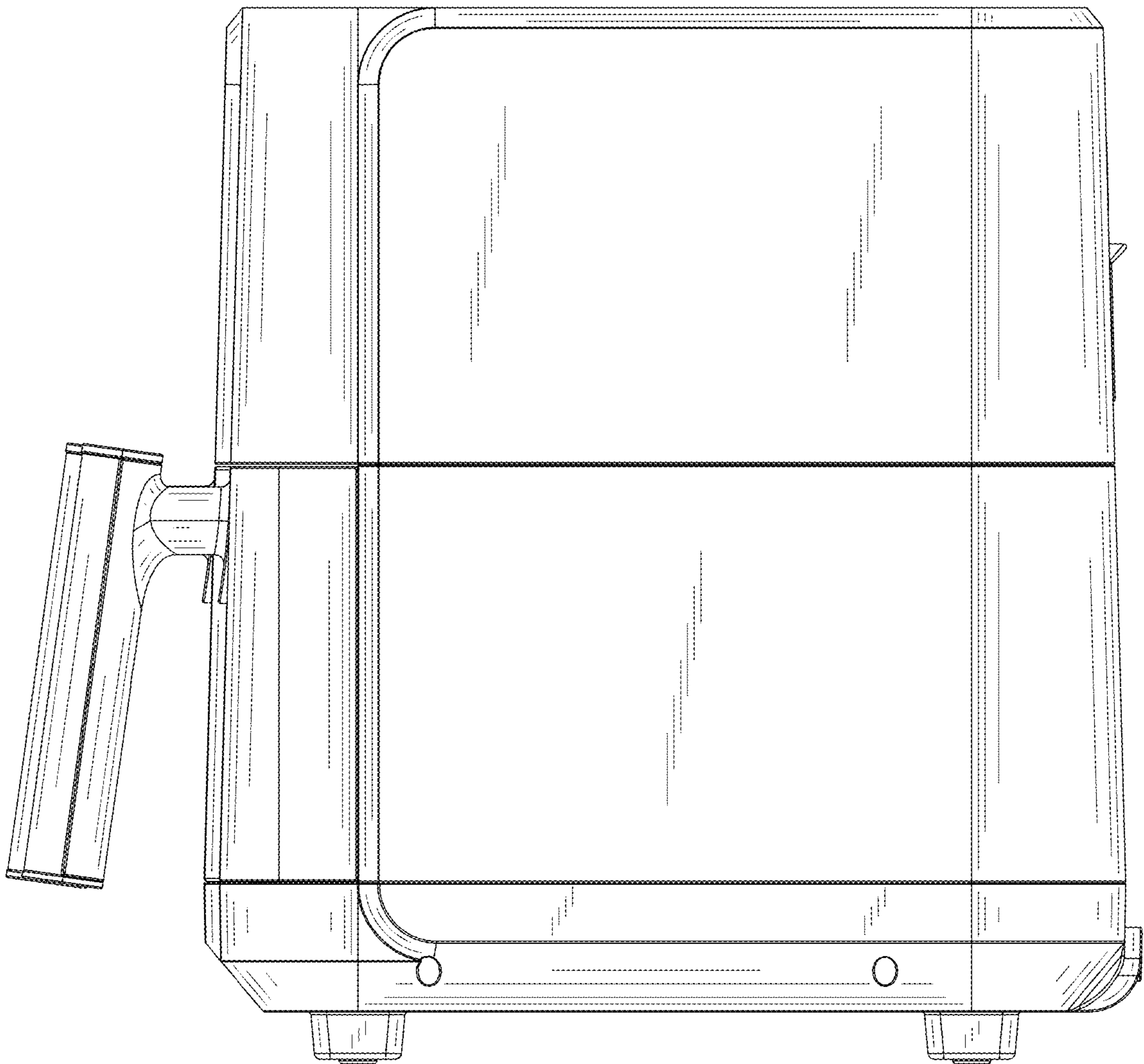


FIG. 4

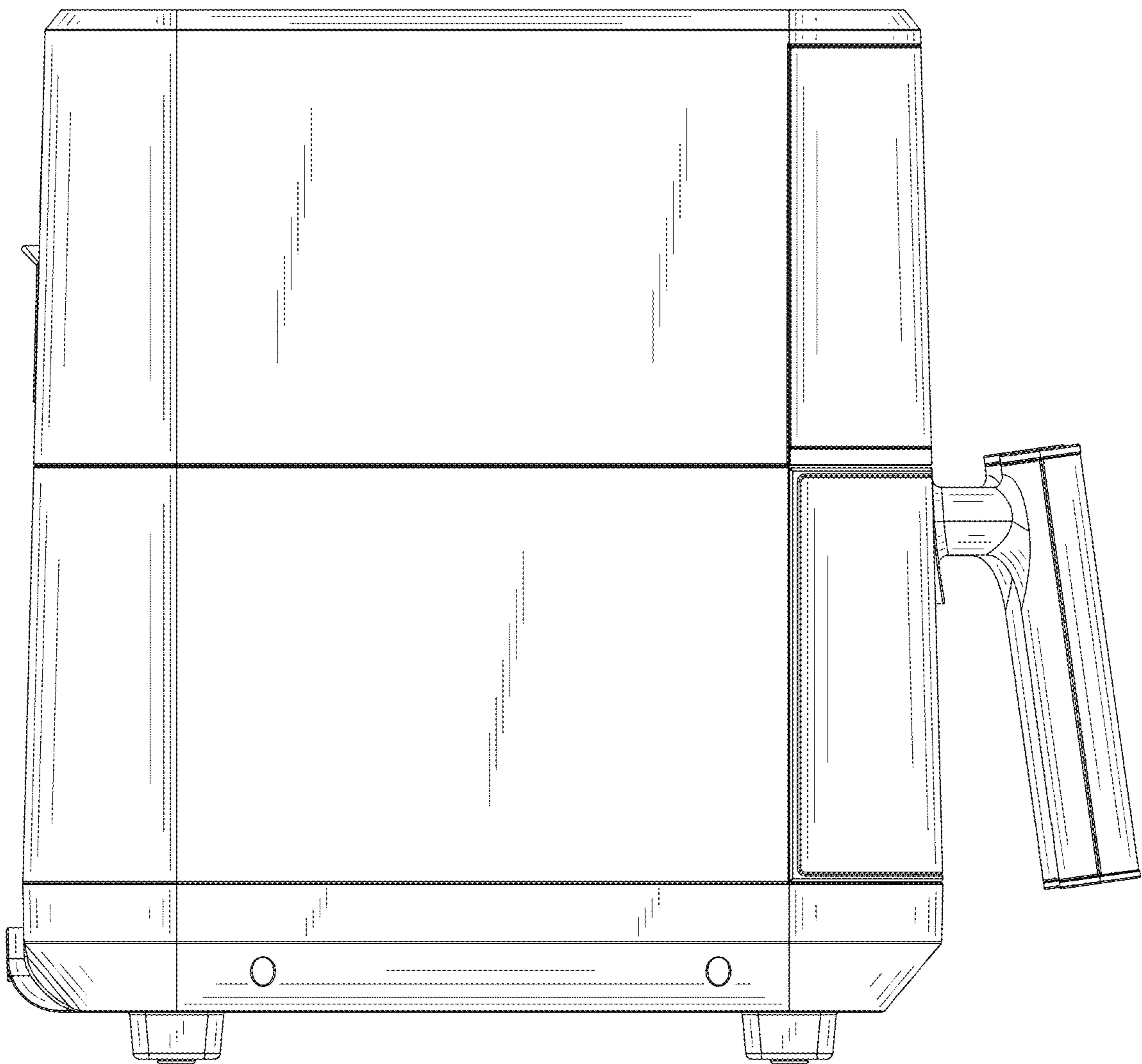


FIG. 5

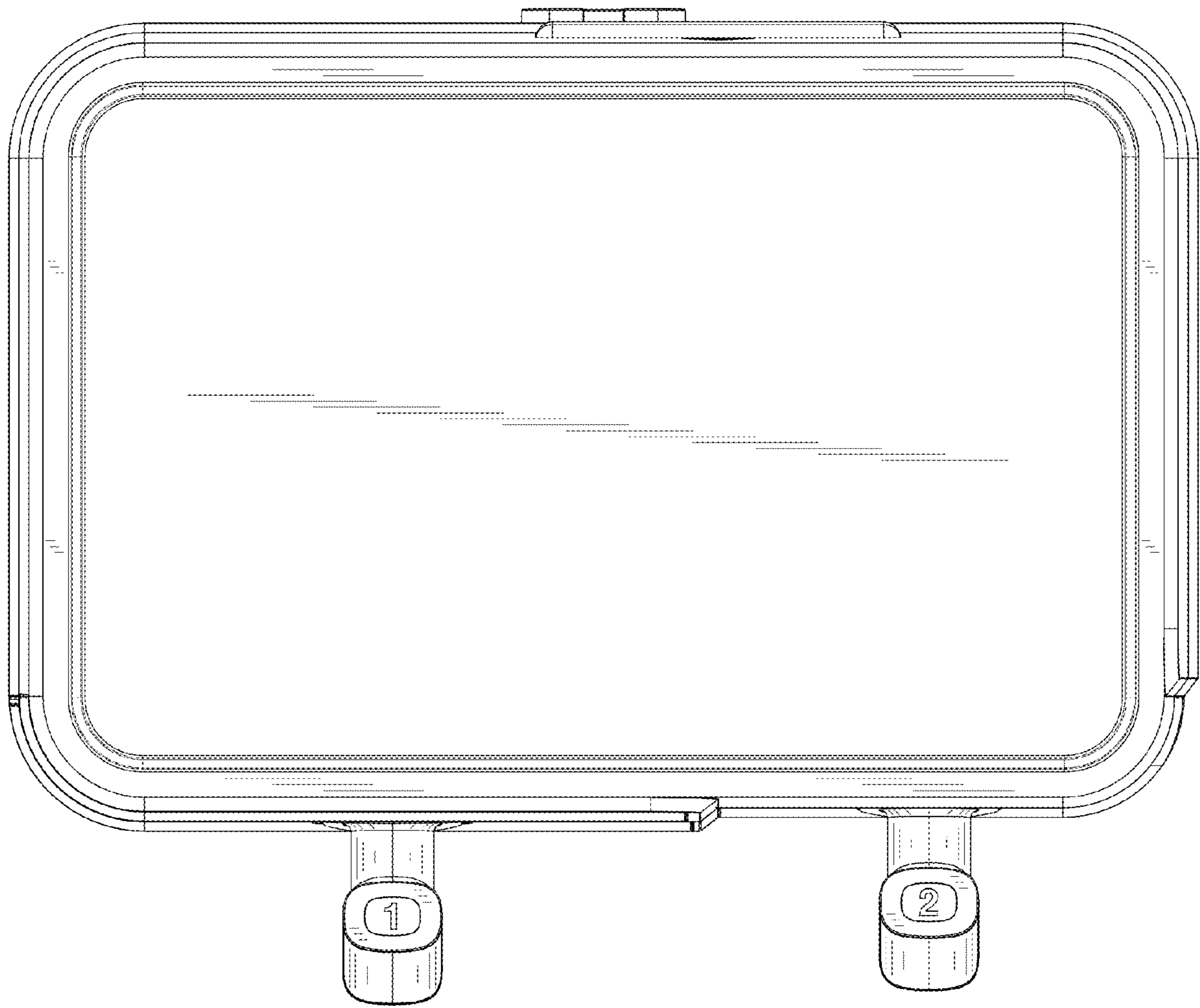


FIG. 6

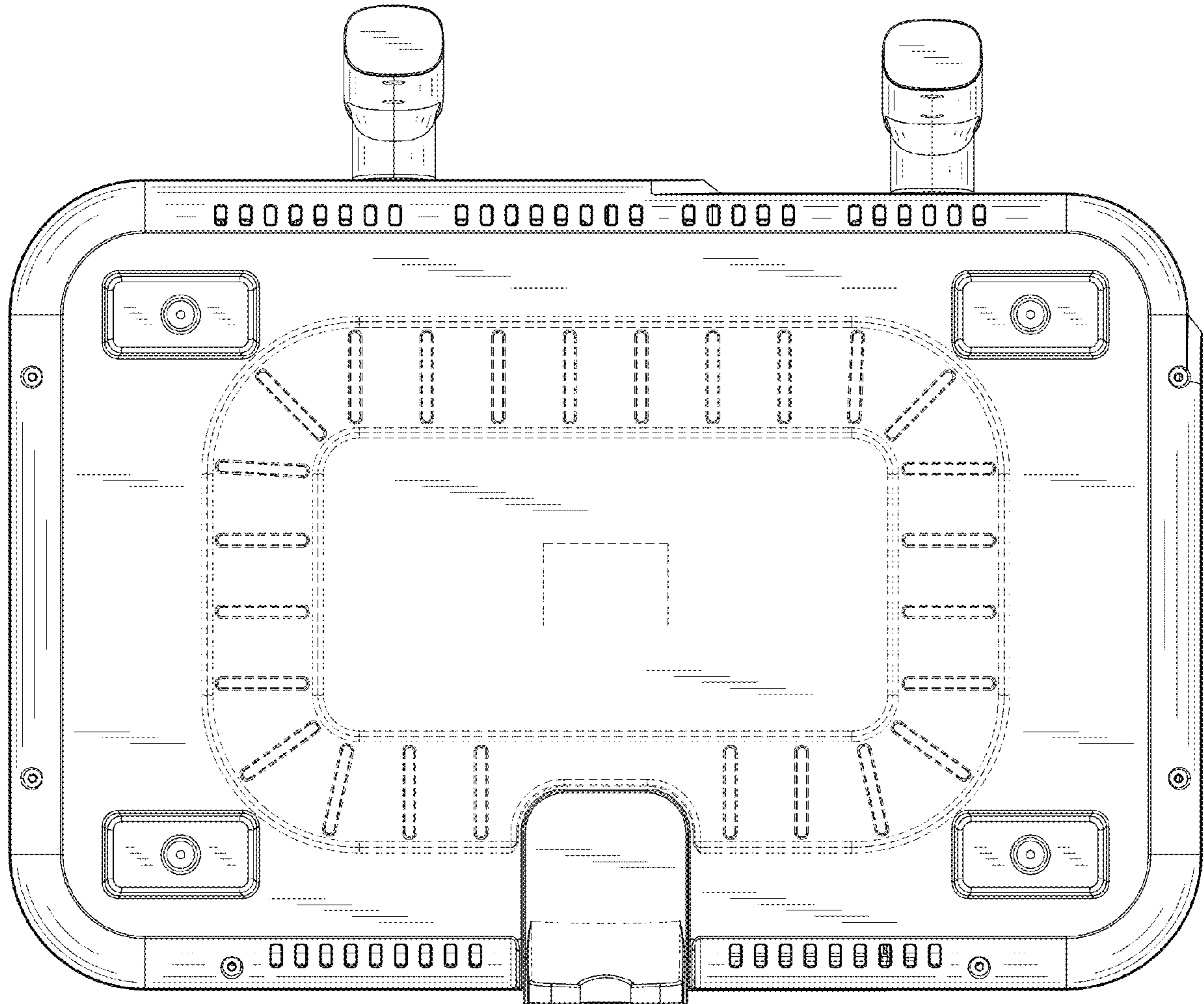


FIG. 7