



US00D981169S

(12) **United States Design Patent**
Jeon

(10) **Patent No.:** **US D981,169 S**
(45) **Date of Patent:** **** Mar. 21, 2023**

- (54) **ELECTRIC THERMAL COOKER**
- (71) Applicant: **Cuckoo Electronics Co., Ltd.**,
Yangsan-si (KR)
- (72) Inventor: **Sung Eun Jeon**, Siheung-si (KR)
- (73) Assignee: **CUCKOO ELECTRONICS CO., LTD.**, Yangsan-si (KR)
- (**) Term: **15 Years**
- (21) Appl. No.: **29/777,882**
- (22) Filed: **Apr. 8, 2021**
- (30) **Foreign Application Priority Data**
Dec. 10, 2020 (KR) 30-2020-0061070
- (51) **LOC (14) Cl.** **07-02**
- (52) **U.S. Cl.**
USPC **D7/354**
- (58) **Field of Classification Search**
USPC D7/323, 354-361
CPC .. A47J 27/00; A47J 27/04; A47J 27/05; A47J 27/08; A47J 27/09; A47J 27/092; A47J 36/025; A47J 36/06; A47J 36/08; A47J 36/10; A47J 36/12; A47J 37/12; A47J 37/1204; A47J 37/1209; H05B 6/02; H05B 6/06; H05B 6/12
See application file for complete search history.

- D836,968 S * 1/2019 Chung A47J 27/00 D7/354
- D868,529 S * 12/2019 Chung D7/354
- D871,825 S * 1/2020 Miyawaki D7/354
- D930,423 S * 9/2021 Wang D7/354
- D931,034 S * 9/2021 Fung D7/358
- D963,397 S * 9/2022 Tan D7/358

OTHER PUBLICATIONS

Tenavo Smart Mini Rice Cooker. Date First Available on Amazon.com Aug. 28, 2021. <https://www.amazon.com/dp/B09DTX6PJT/ref> (Year: 2021).*

* cited by examiner

Primary Examiner — Ricky Pham

(74) *Attorney, Agent, or Firm* — STIP Law Group, LLC

(57) **CLAIM**

The ornamental design for an electric thermal cooker, as shown and described.

DESCRIPTION

FIG. 1 is a perspective view of the electric thermal cooker, showing the present design.
FIG. 2 is a front view thereof.
FIG. 3 is a rear view thereof.
FIG. 4 is a left side view thereof.
FIG. 5 is a right side view thereof.
FIG. 6 is a top view thereof.
FIG. 7 is a bottom view thereof; and,
FIG. 8 is a section A-A' of FIG. 6 thereof.
The broken lines and area within the broken lines depict portions of the electric thermal cooker that form no part of the claimed design.

(56) **References Cited**

U.S. PATENT DOCUMENTS

- D704,500 S * 5/2014 Kim D7/354
- D711,679 S * 8/2014 Day D7/354
- D715,088 S * 10/2014 Kim D7/354
- D827,360 S * 9/2018 Chung D7/354

1 Claim, 8 Drawing Sheets

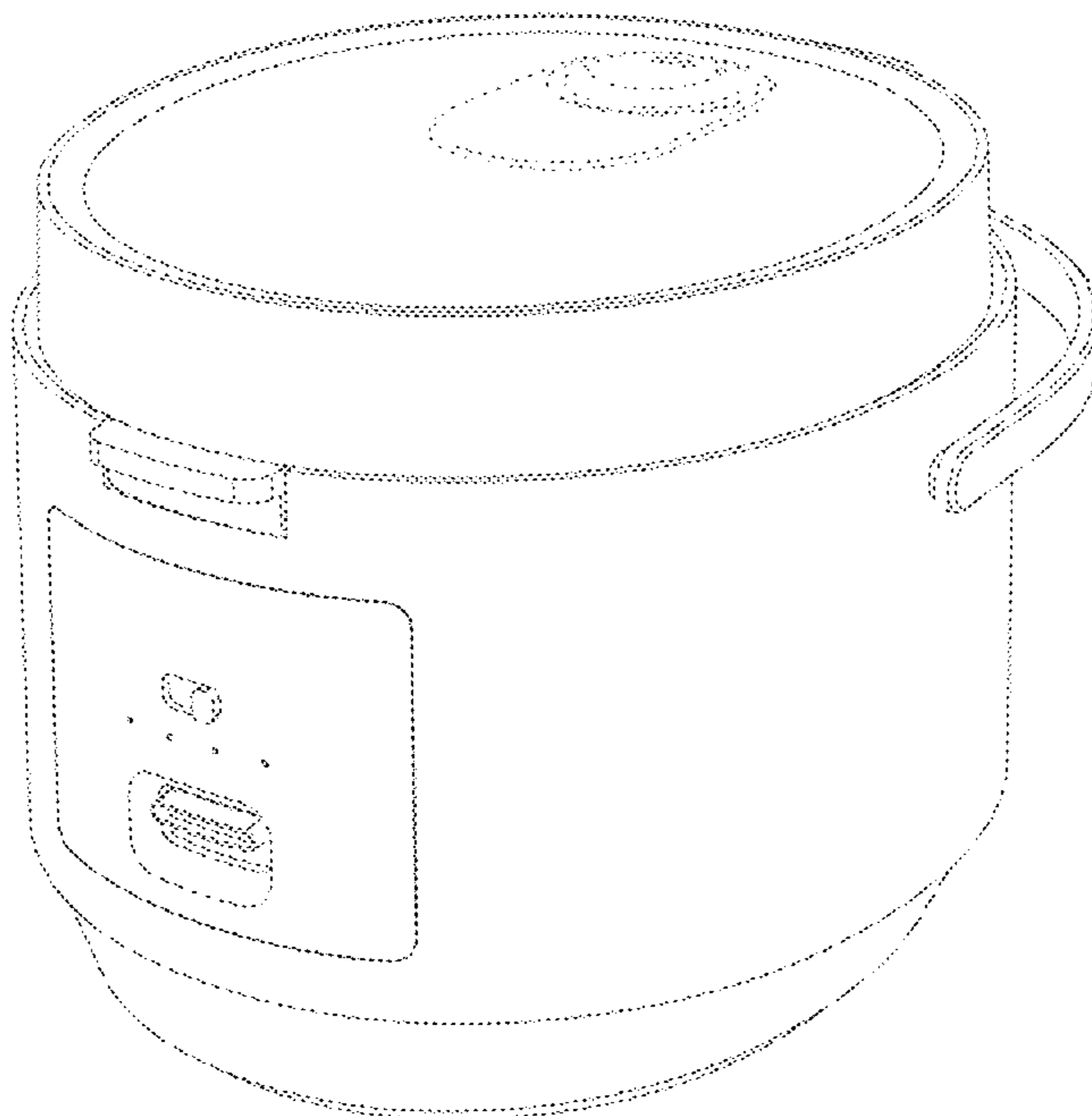


Fig. 1

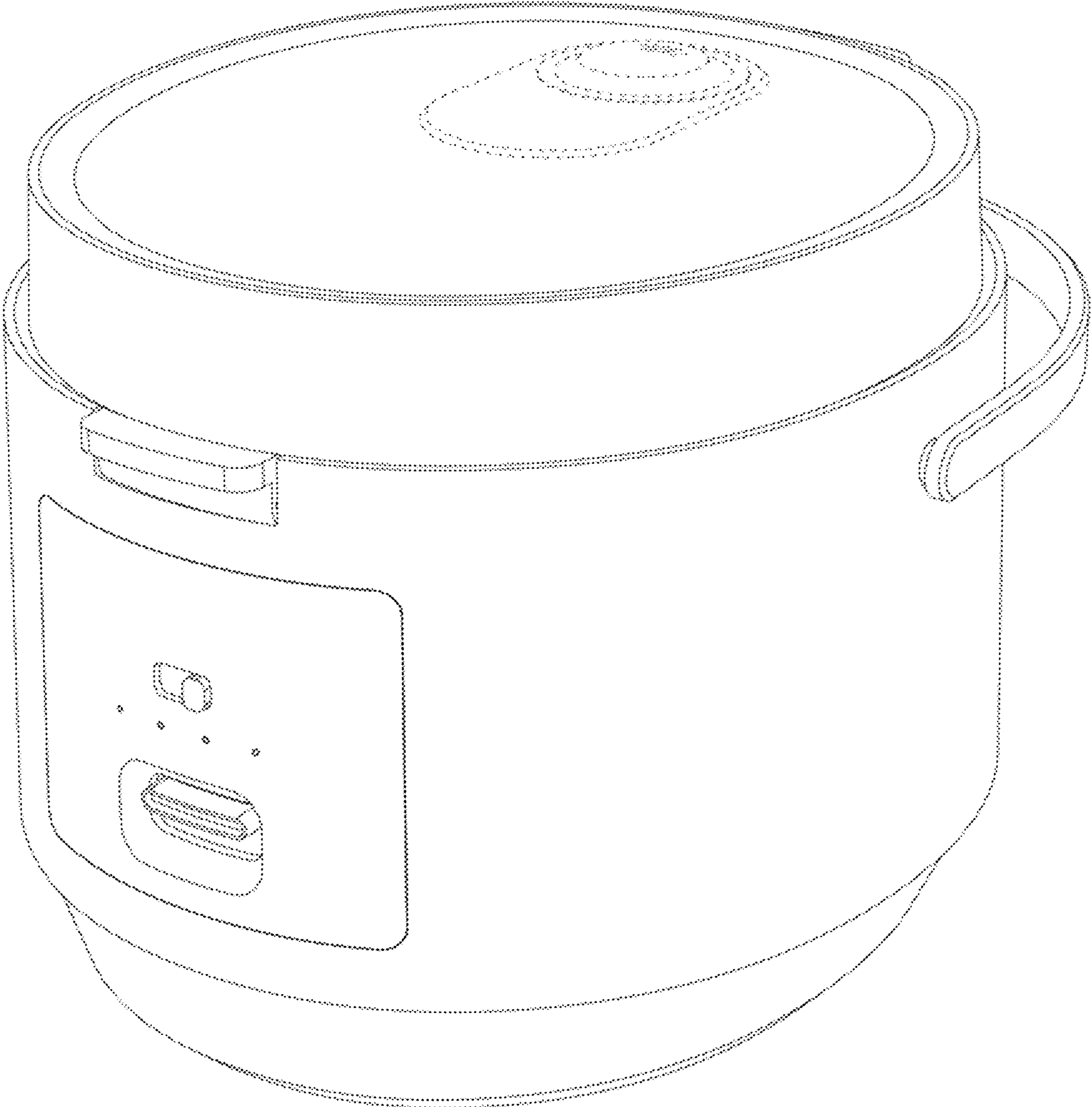


Fig. 2

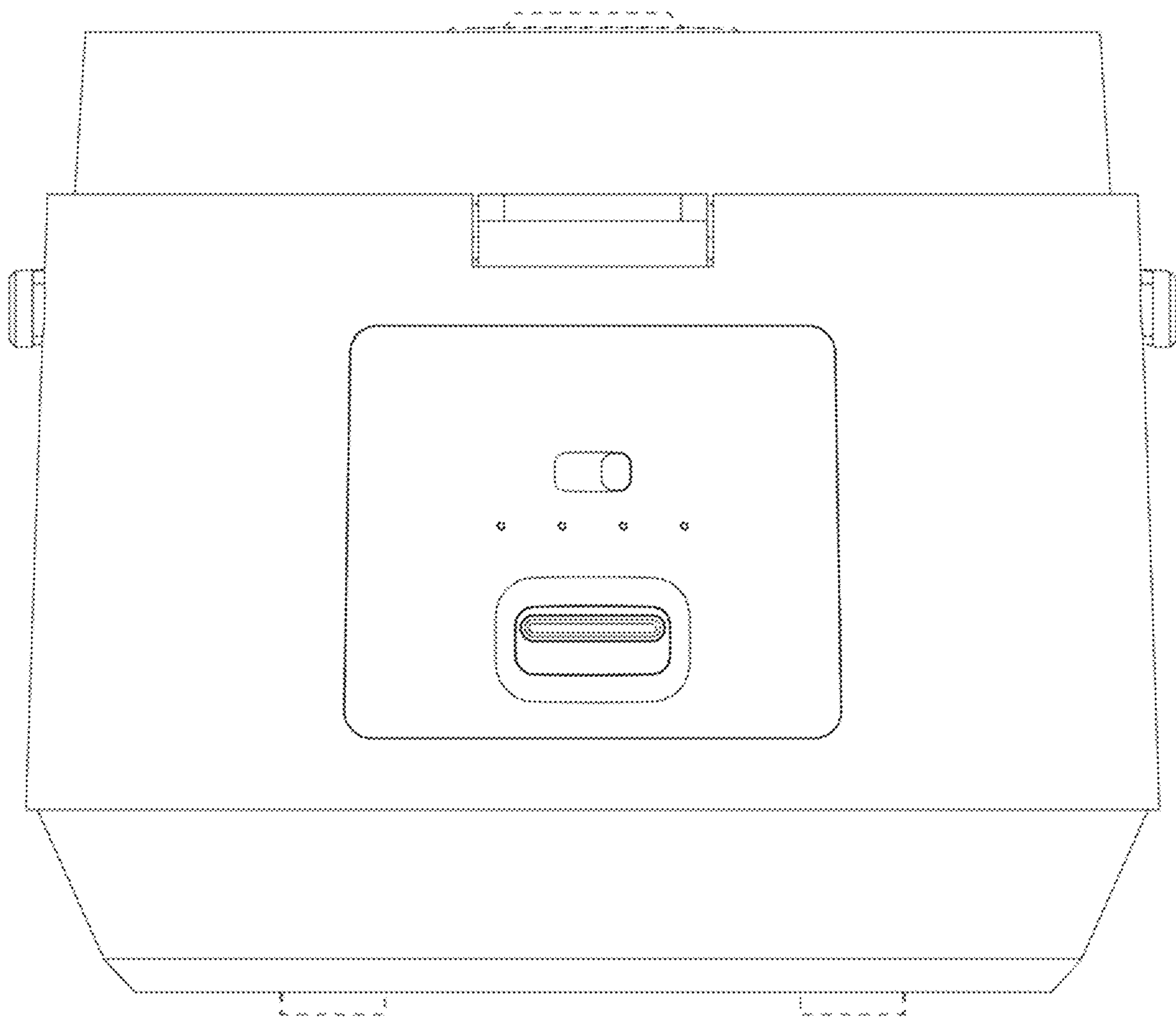


Fig. 3

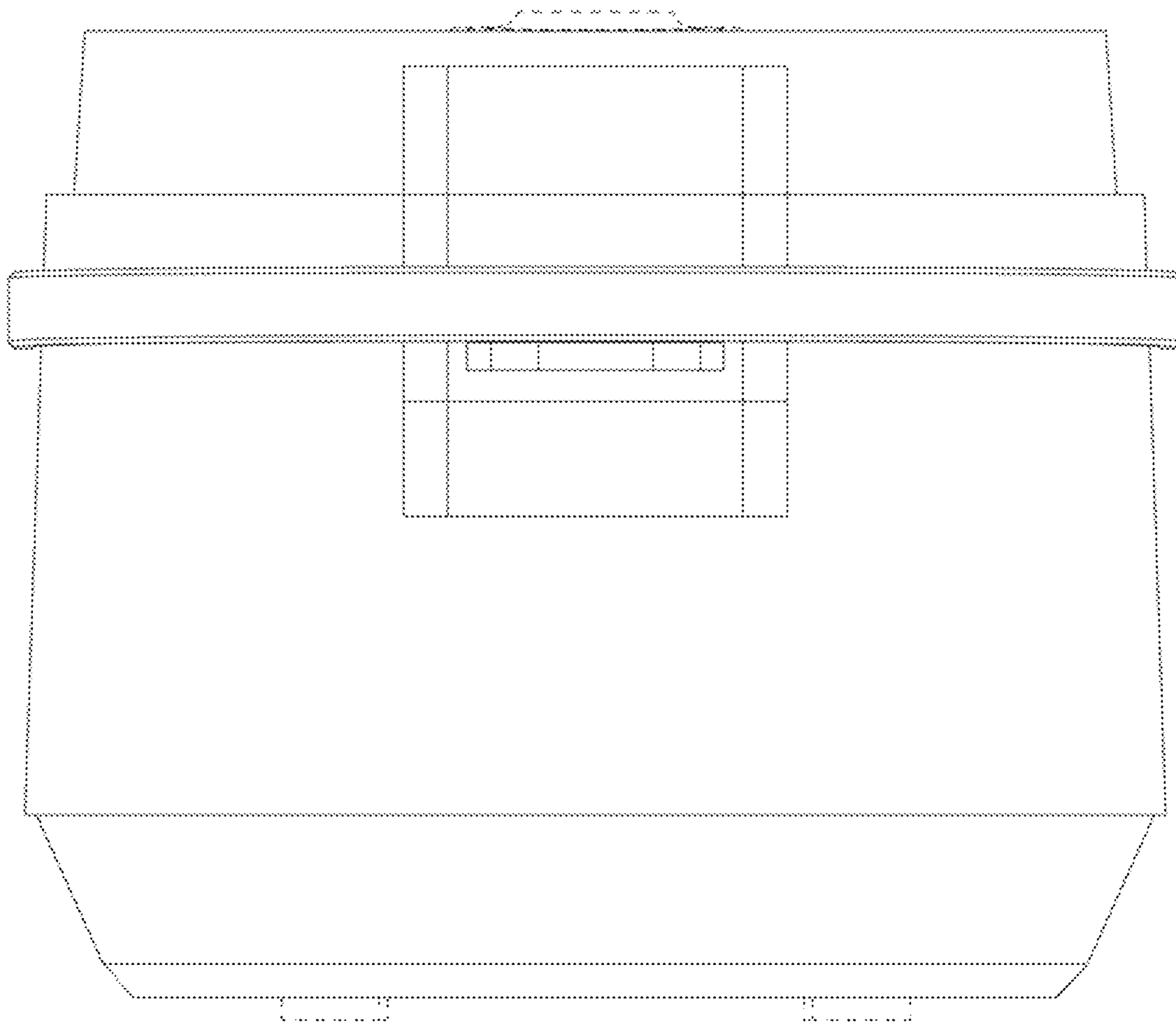


Fig. 4

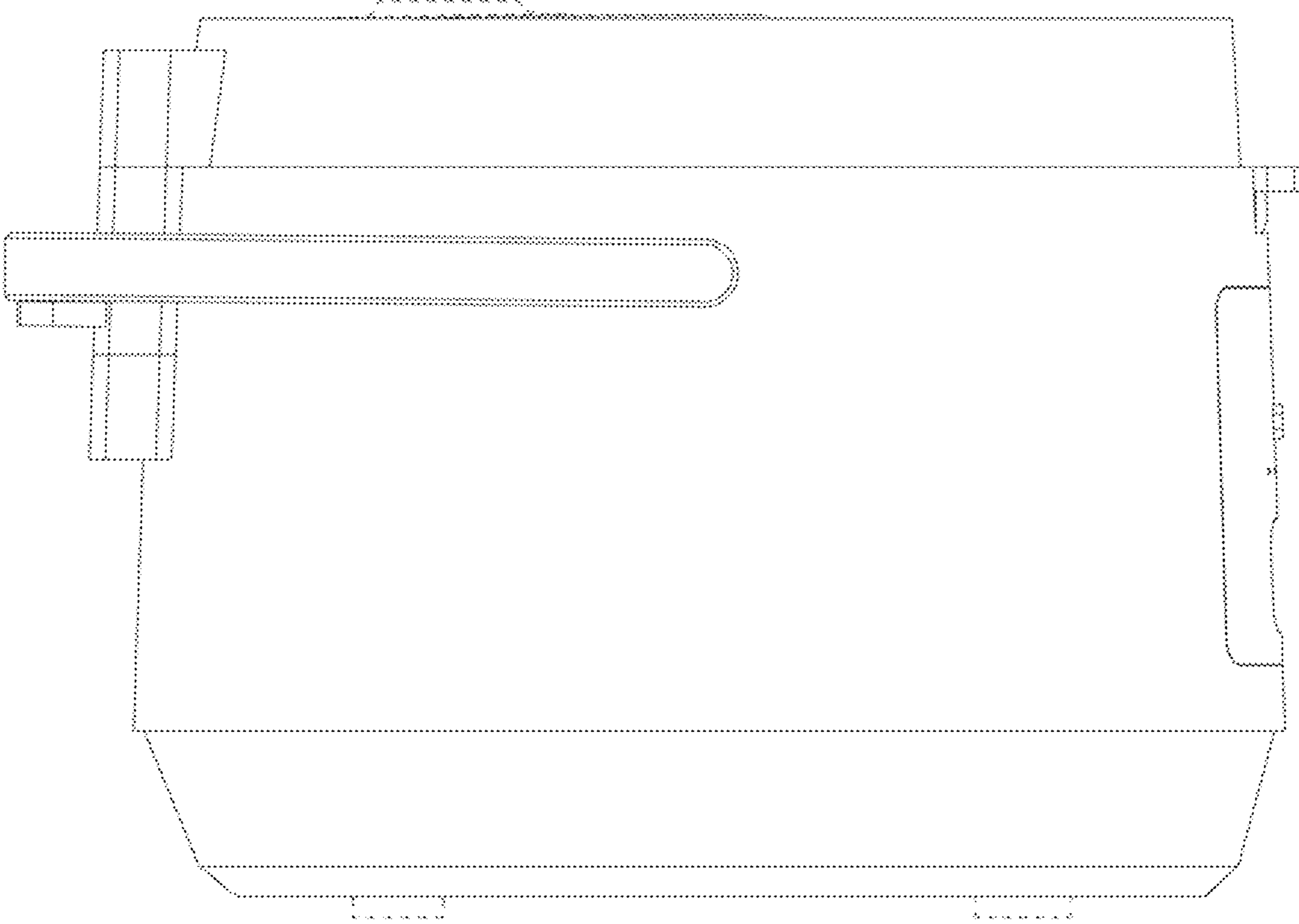


Fig. 5

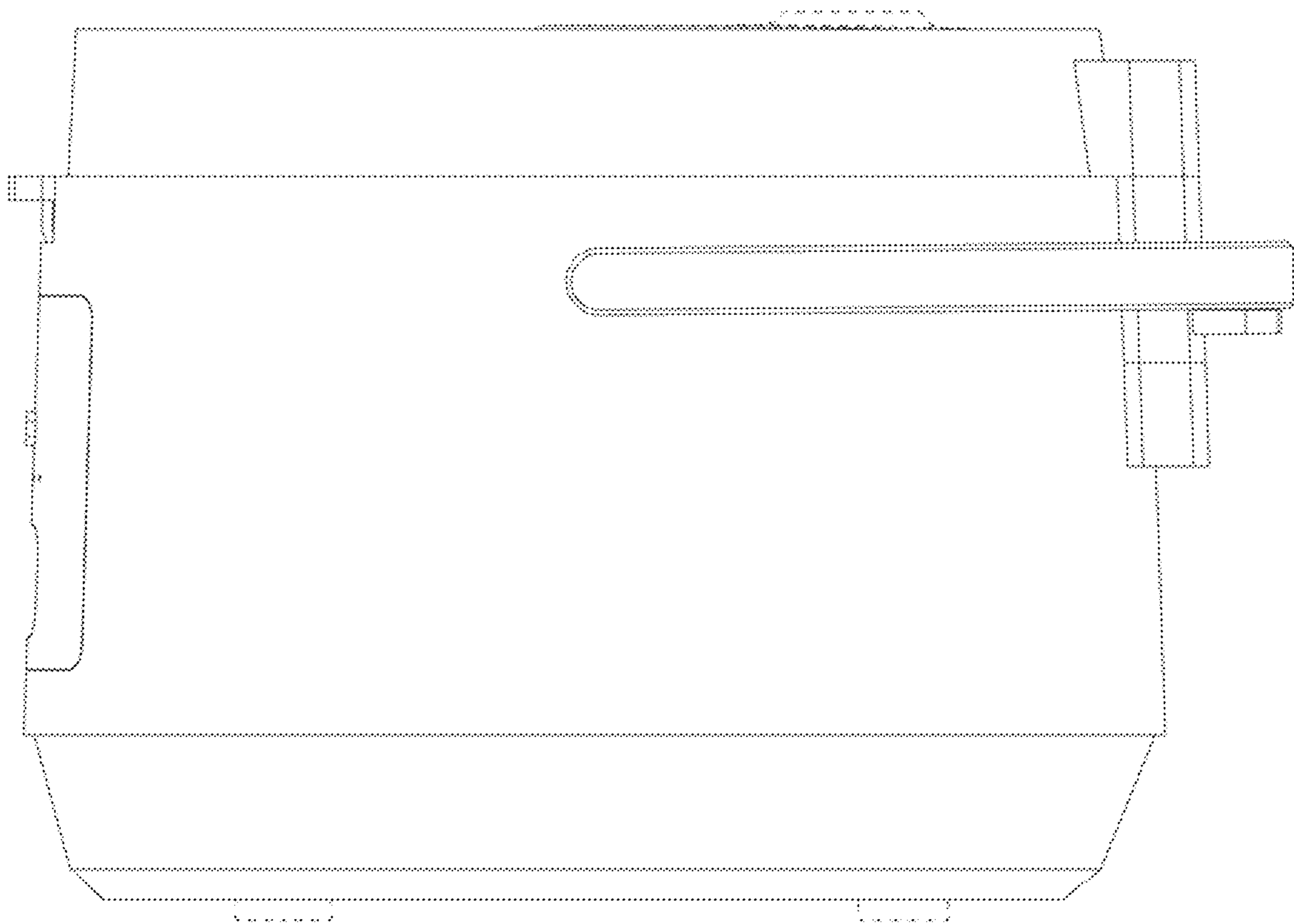


Fig. 6

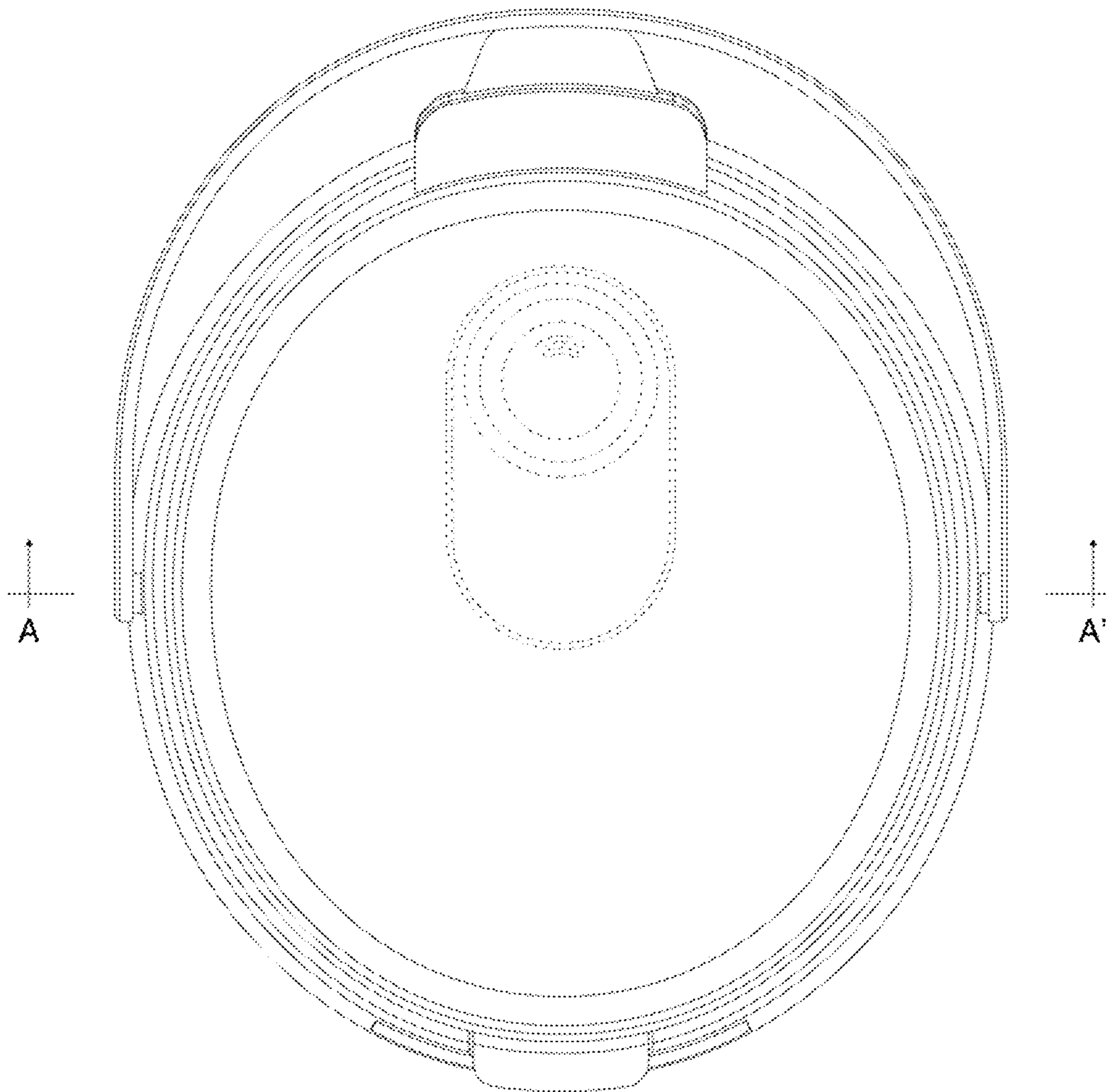


Fig. 7

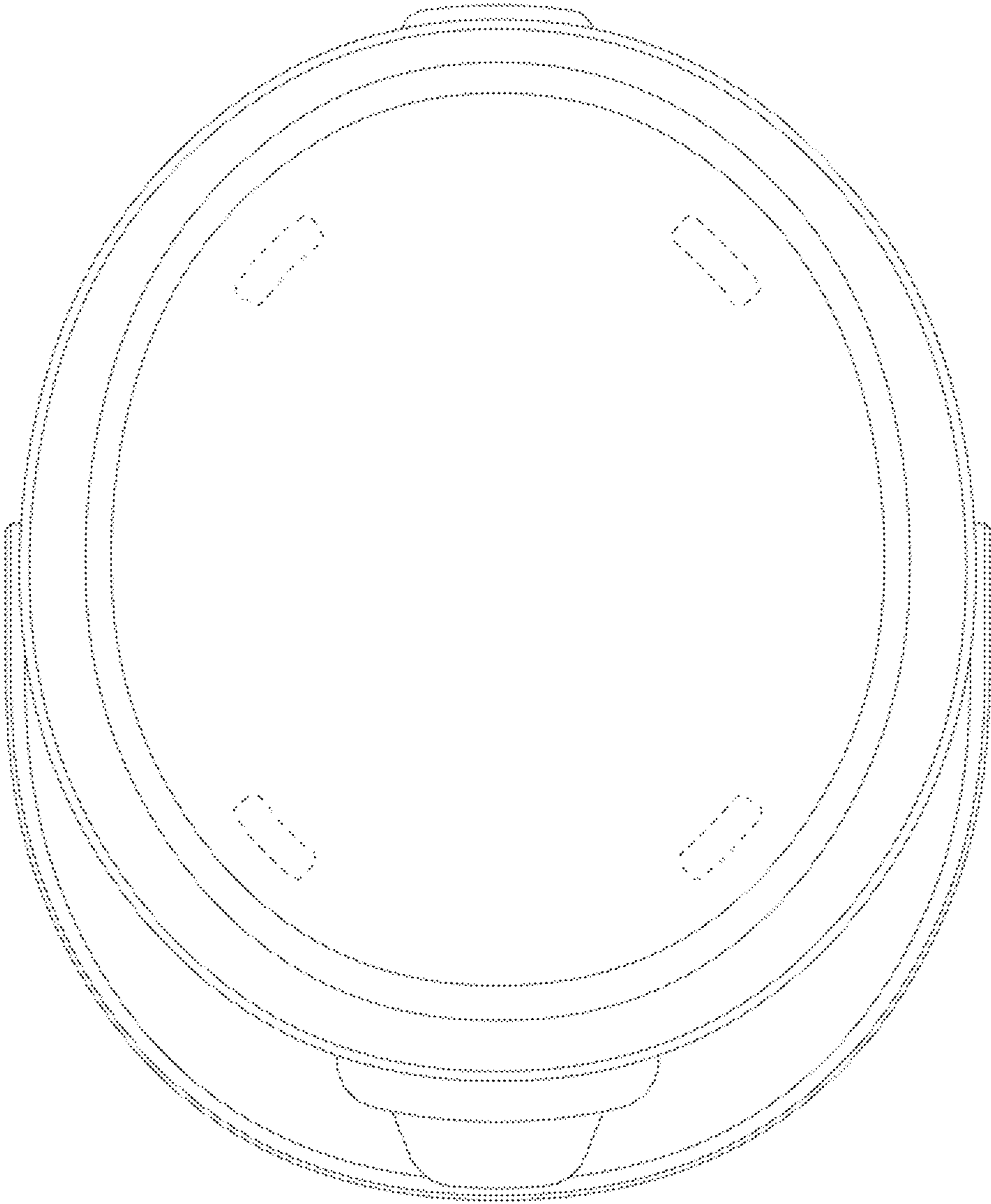


Fig. 8

