



US00D981167S

(12) **United States Design Patent**
Wang

(10) **Patent No.:** **US D981,167 S**

(45) **Date of Patent:** **** Mar. 21, 2023**

(54) **GAS STOVE**

(71) Applicant: **Pengyu Wang**, Changzhou (CN)

(72) Inventor: **Pengyu Wang**, Changzhou (CN)

(**) Term: **15 Years**

(21) Appl. No.: **29/808,802**

(22) Filed: **Sep. 23, 2021**

(51) **LOC (14) Cl.** **07-02**

(52) **U.S. Cl.**

USPC **D7/339**; D7/334

(58) **Field of Classification Search**

USPC D6/686; D7/323, 328–330, 334,
D7/339–349, 390, 402–406;
D8/300–306; D23/332, 343

CPC A21B 2/00; A47F 9/00; A47J 37/00; A47J
37/06; A47J 37/0611; A47J 37/0781;
A47J 37/08; A47J 37/0807; A47J
37/0814; A47J 37/0835; A47J 37/0842;
A47J 37/085; A47J 37/0864; A47J
37/0878; A47J 37/0885; A47J 37/0892;
F24B 1/181; F24B 1/192; F24C 7/00;
F24C 7/002; F24C 7/046; F24C 7/067;
F24C 15/02; F24C 15/04; F24C 15/10;
F24C 15/102

See application file for complete search history.

(56) **References Cited**

U.S. PATENT DOCUMENTS

3,491,744 A * 1/1970 Von Kohorn A47J 37/0781
D7/334
D233,499 S * 11/1974 Sakata D7/346
D619,411 S * 7/2010 Hill D7/334
D848,591 S * 5/2019 O'Brien D23/343
D901,651 S * 11/2020 Wang D23/339
D917,681 S * 4/2021 Zhang D23/339

D919,776 S * 5/2021 Zhong D23/339
D936,408 S * 11/2021 Tan D7/340
2013/0255659 A1 * 10/2013 Fulp A47J 37/0781
126/25 R
2017/0261210 A1 * 9/2017 Harris F24B 1/181
2019/0277506 A1 * 9/2019 Hackley A47F 9/00
2020/0191407 A1 * 6/2020 Zemel F24B 1/192

OTHER PUBLICATIONS

Lausaint Home 31" Gas Propane Fire Pit Table. Date previously Reviewed Available on Amazon.com Sep. 22, 2021. <https://www.amazon.com/Auto-Ignition-Rectangular-Certification-Courtyard-Square-31inch/dp/B09CY8S7D3/ref> (Year: 2021).*

Signature Design by Ashley—Perrymount Outdoor Rectangular Fire Pit Bar Table. Date First Reviewed Available on Amazon.com Jun. 17, 2018. <https://www.amazon.com/Ashley-Furniture-Signature-Design-Rectangular/dp/B078K3ZTDW/ref> (Year: 2018).*

* cited by examiner

Primary Examiner — Ricky Pham

(57) **CLAIM**

The ornamental design for a gas stove, as shown and described.

DESCRIPTION

FIG. 1 is a perspective view of a gas stove showing my new design;

FIG. 2 is another perspective view thereof;

FIG. 3 is a front elevational view thereof;

FIG. 4 is a rear elevational view thereof;

FIG. 5 is a left side elevational view thereof;

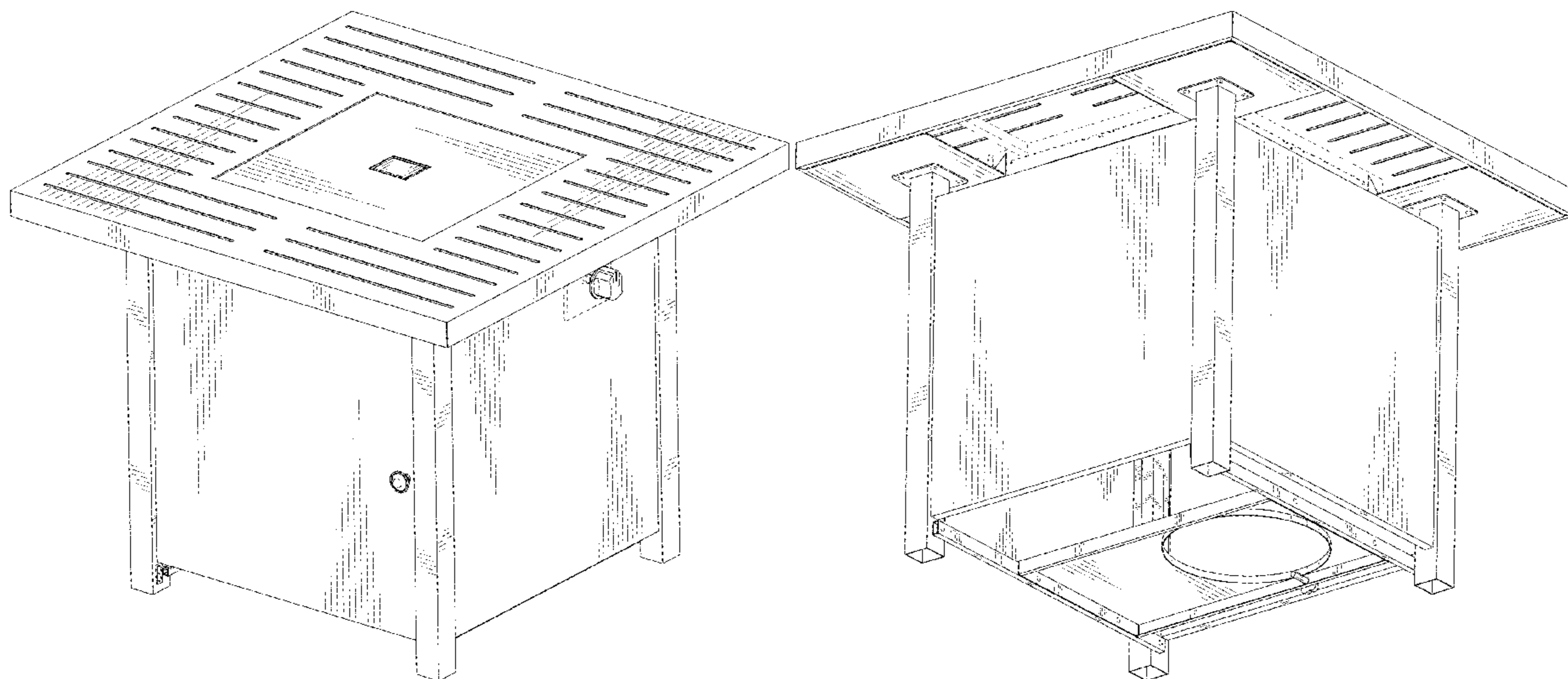
FIG. 6 is a right side elevational view thereof;

FIG. 7 is a top plan view thereof; and,

FIG. 8 is a bottom plan view thereof.

The broken lines in the drawings depict portions of the gas stove that form no part of the claimed design.

1 Claim, 8 Drawing Sheets



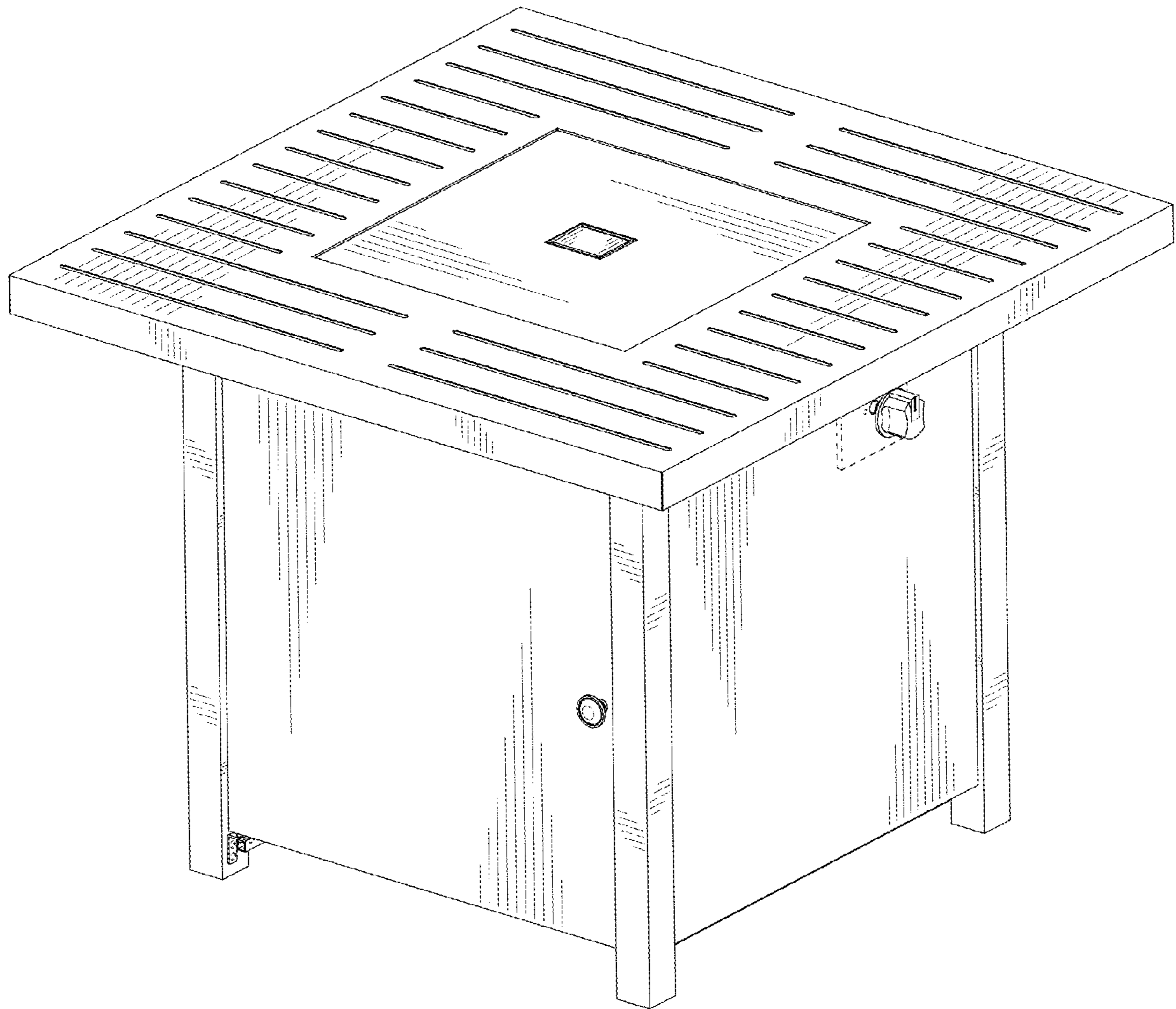


FIG. 1

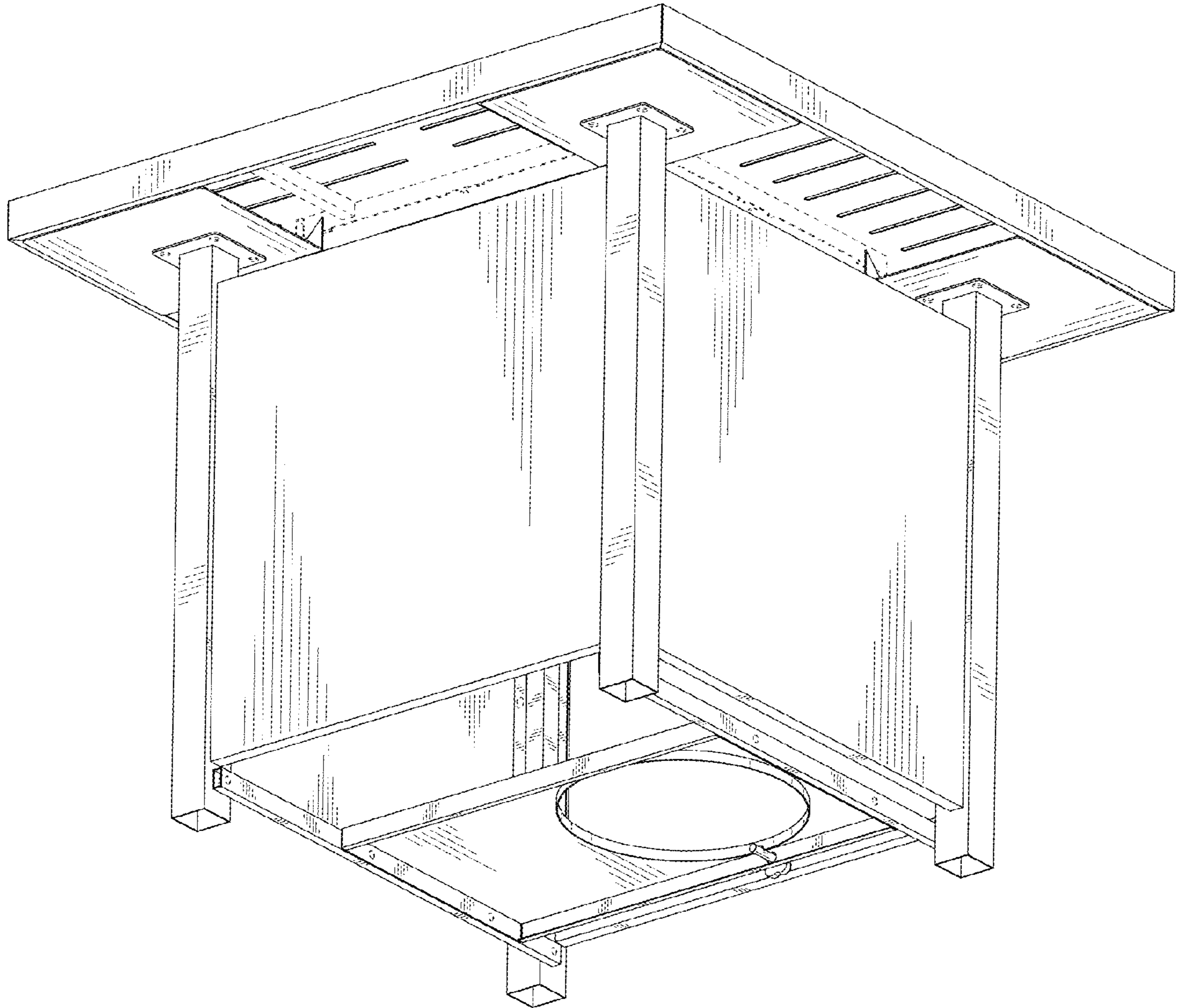


FIG. 2

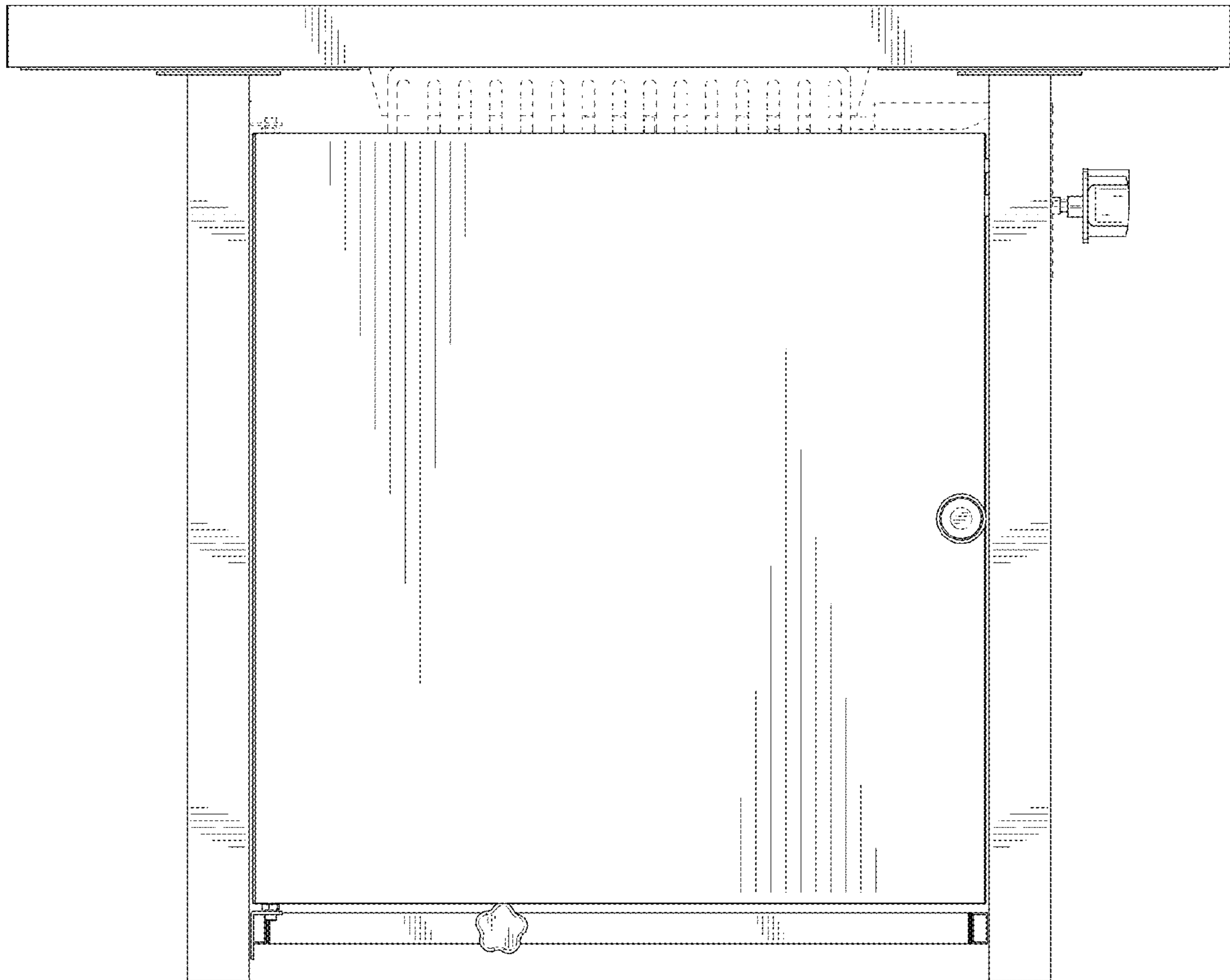


FIG. 3

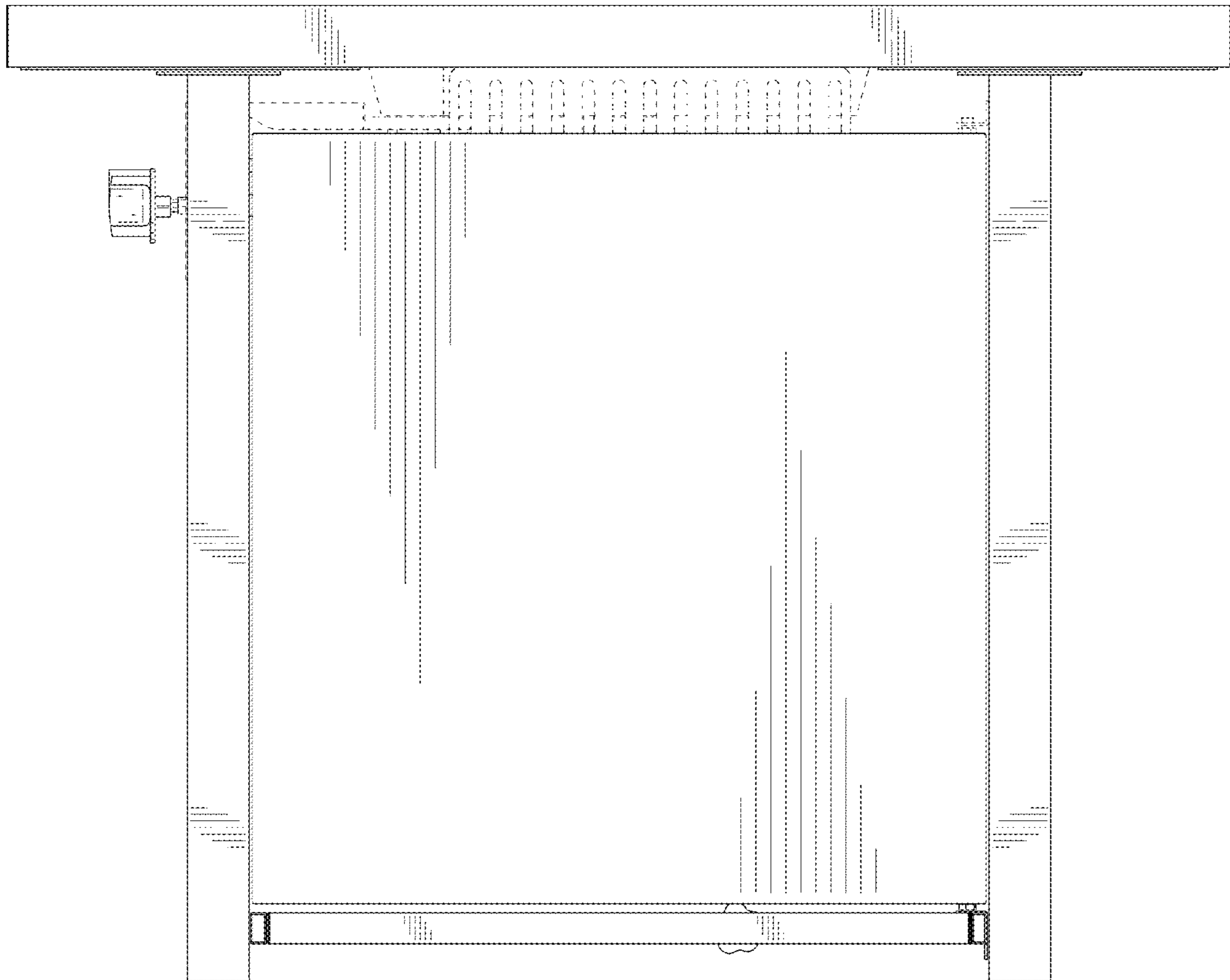


FIG. 4

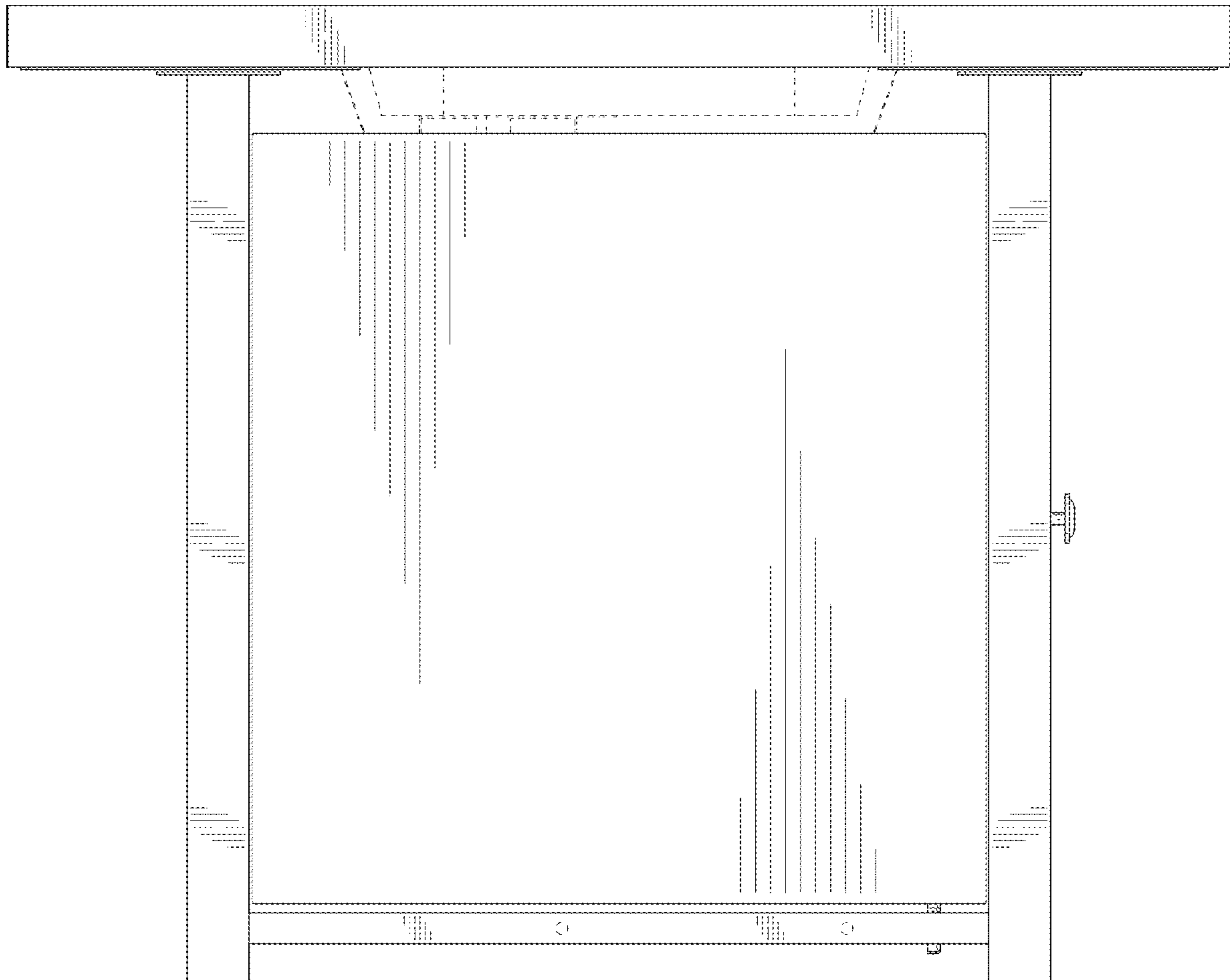


FIG. 5

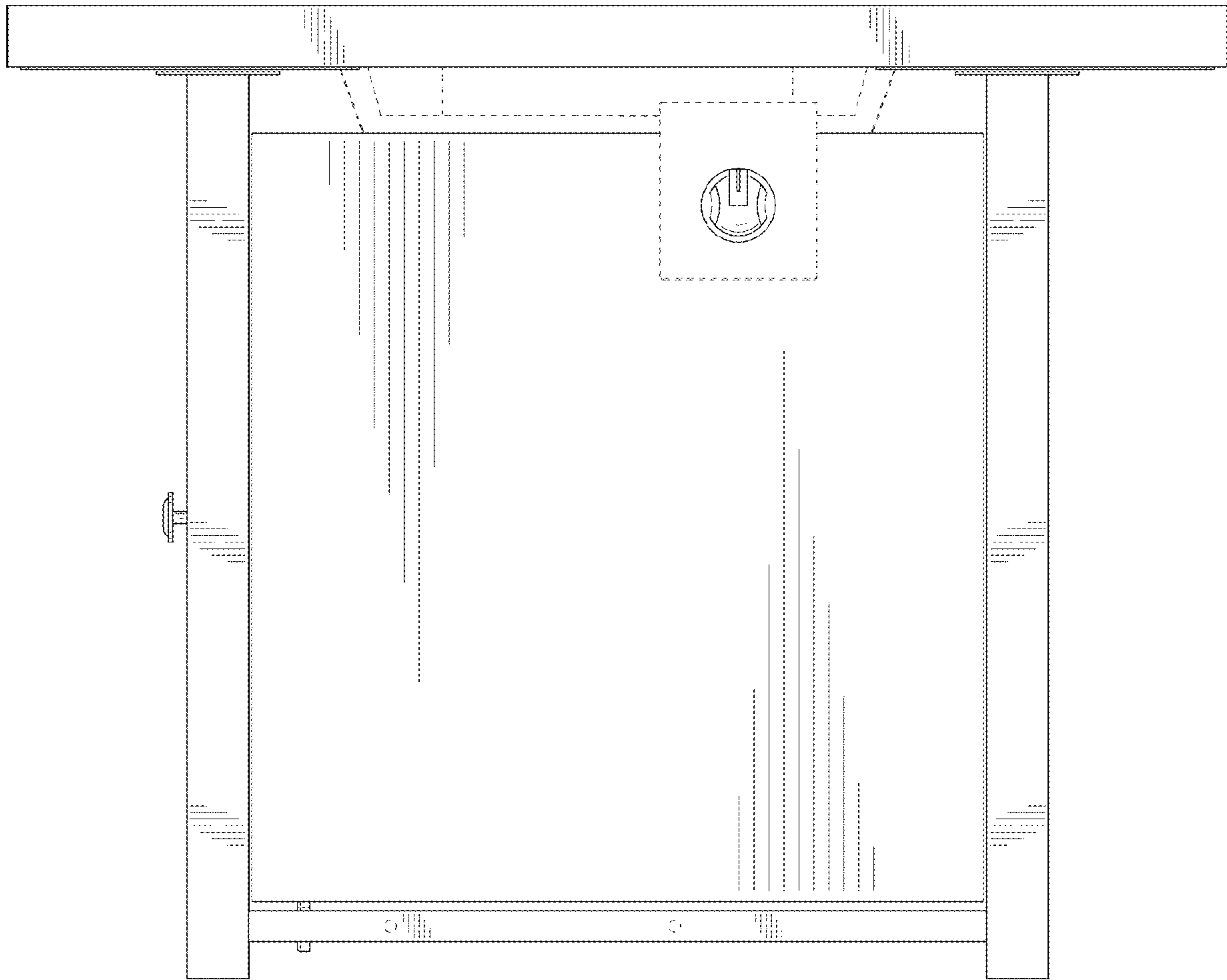


FIG. 6

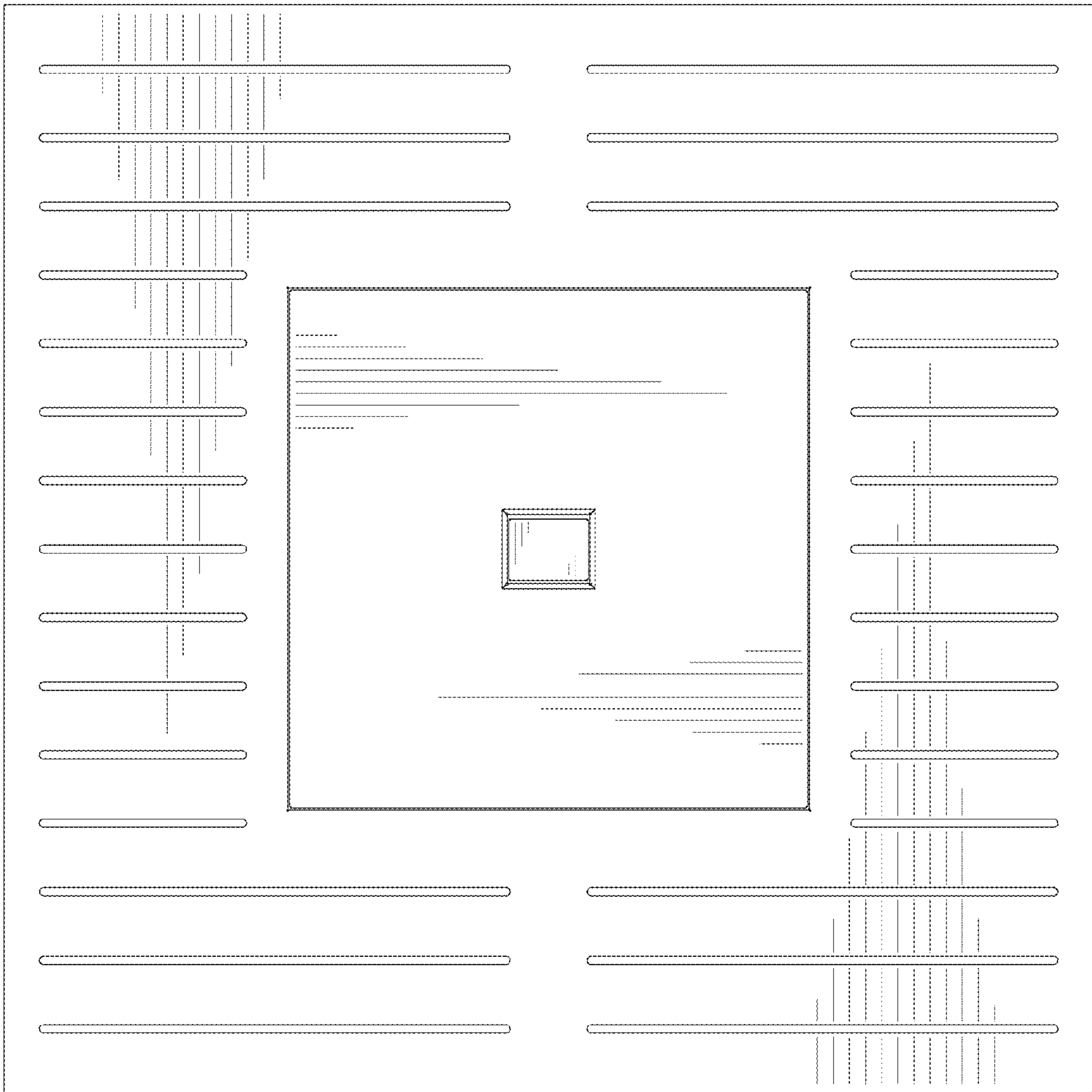


FIG. 7

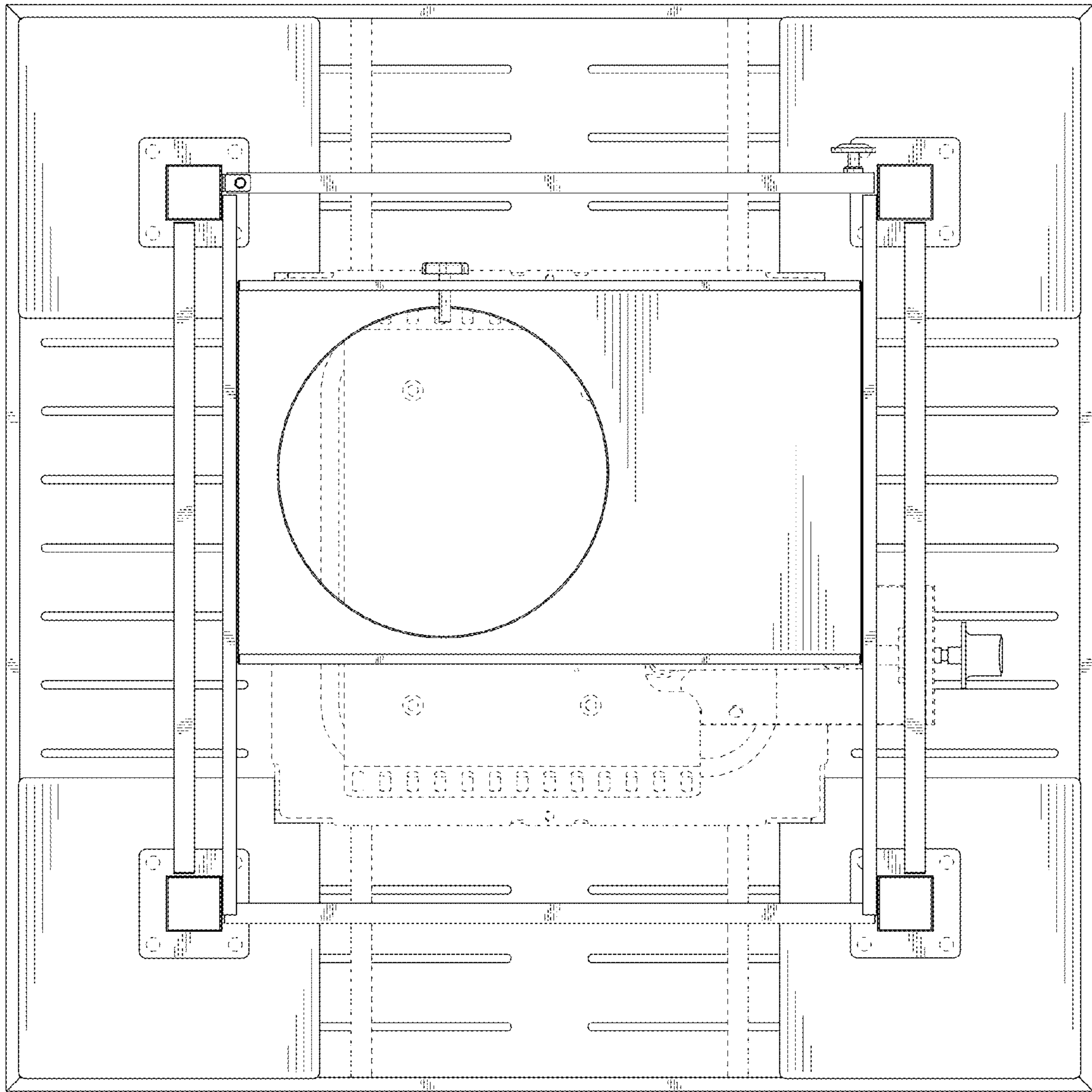


FIG. 8