



US00D981164S

(12) **United States Design Patent** (10) **Patent No.:** **US D981,164 S**
Liu (45) **Date of Patent:** **** Mar. 21, 2023**

(54) **PORTABLE STOVE**

(71) Applicant: **Chia Ming Liu**, Douliu (TW)

(72) Inventor: **Chia Ming Liu**, Douliu (TW)

(**) Term: **15 Years**

(21) Appl. No.: **29/779,948**

(22) Filed: **Apr. 21, 2021**

(51) **LOC (14) Cl.** **07-02**

(52) **U.S. Cl.**
USPC **D7/332**

(58) **Field of Classification Search**
USPC D7/323, 328, 331–341, 346–349,
D7/350.1–350.4, 351–368, 388, 389, 391,
D7/393–396, 396.1, 400, 402–412, 450,
D7/504, 601, 611, 624, 625, 690, 692,
D7/732, 330; D30/120; D21/312, 362,
D21/523, 524, 525, 301–309, 387,
D21/476–489, 699; D22/113; D23/415,
D23/416

CPC A47J 27/002; A47J 27/04; A47J 27/043;
A47J 27/10; A47J 27/12; A47J 29/00;
A47J 29/02; A47J 29/06; A47J 36/00;
A47J 36/20; A47J 36/22; A47J 36/24;
A47J 36/2405; A47J 36/2483; A47J
36/26; A47J 37/00; A47J 37/015; A47J
37/04; A47J 37/041; A47J 37/042; A47J
37/043; A47J 37/06; A47J 37/061; A47J
37/0623; A47J 37/0629; A47J 37/0647;
A47J 37/067; A47J 37/0676; A47J
37/0682; A47J 37/0688; A47J 37/0694;
A47J 37/07; A47J 37/0704; A47J
37/0718; A47J 37/0763; A47J 37/105;
A47J 37/108; A47J 37/1204; A47J
2037/0795; F24C 3/002; F24C 3/004;
F24C 3/082; F24C 3/085; F24C 7/04;
F24C

(Continued)

(56) **References Cited**

U.S. PATENT DOCUMENTS

4,043,744 A * 8/1977 Svensson F24C 3/14
431/142
6,202,982 B1 * 3/2001 Huguet F24C 3/14
251/149.6

(Continued)

FOREIGN PATENT DOCUMENTS

CN 302922091 * 8/2014
CN 304002313 * 1/2017

(Continued)

OTHER PUBLICATIONS

3300 W Camping Stove, posted May 24, 2022 [online], [retrieved
Nov. 8, 2022]. Retrieved from internet, <https://www.newegg.com/p/0C8-0188-000E0> (Year: 2022).*

(Continued)

Primary Examiner — Nicole C Shiflet
Assistant Examiner — Yen Le Southwood
(74) *Attorney, Agent, or Firm* — Bradley J. Thorson;
DeWitt LLP

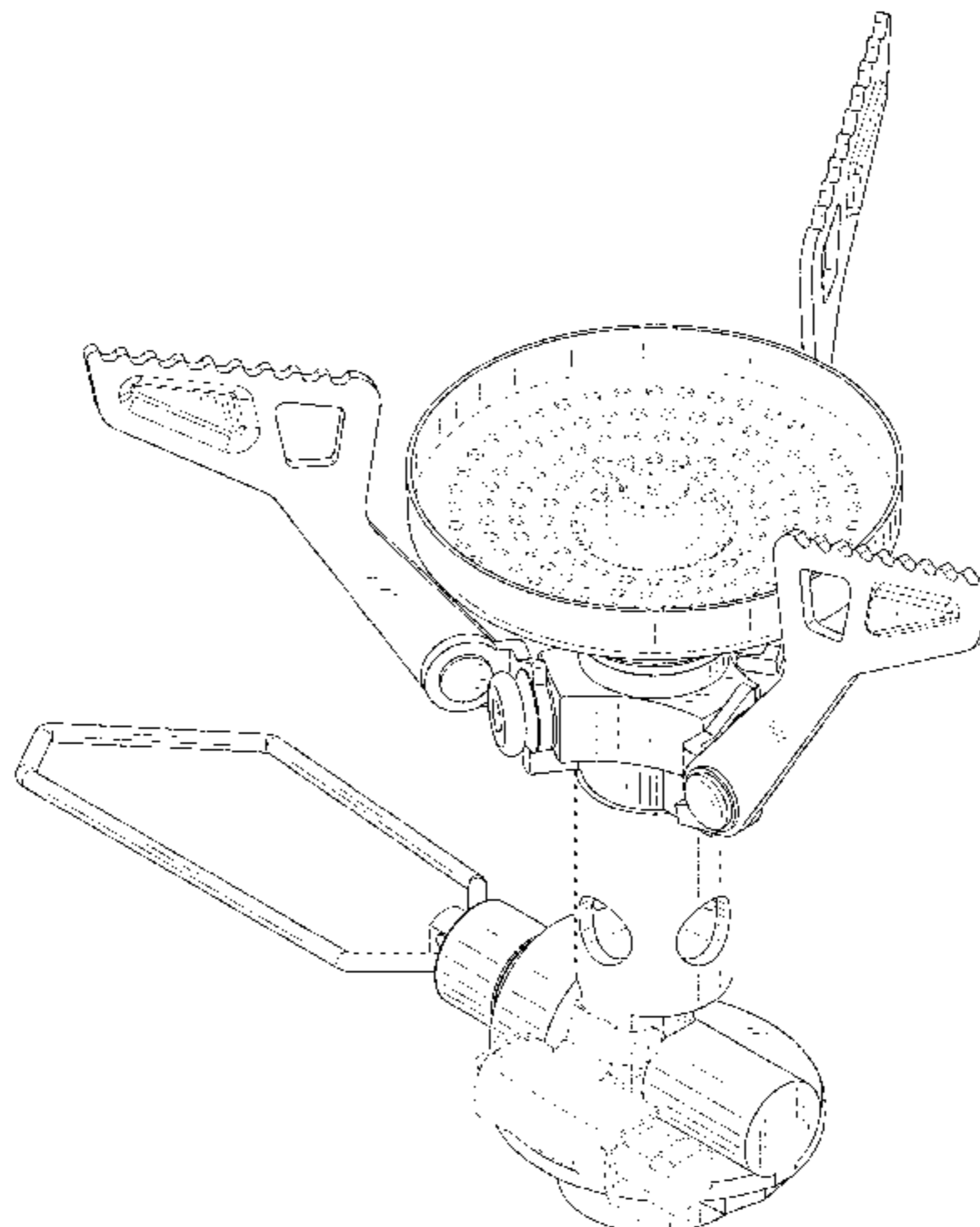
(57) **CLAIM**

The ornamental design for a portable stove, as shown and
described.

DESCRIPTION

FIG. 1 is a perspective view of a portable stove, showing my
new design;
FIG. 2 is another perspective view thereof;
FIG. 3 is a front elevation view thereof;
FIG. 4 is a rear elevation view thereof;
FIG. 5 is a left side view thereof;
FIG. 6 is a right side view thereof;
FIG. 7 is a top plan view thereof; and,
FIG. 8 is a bottom plan view thereof.

(Continued)



The broken lines shown in the drawings depict portions of the article that form no part of the claimed design.

1 Claim, 8 Drawing Sheets

(58) Field of Classification Search

CPC 11/00; F24C 15/16; F24C 15/166; F24C 15/18; F24C 3/00; F24C 3/14; F24C 3/103; F24C 1/14; F24C 1/16; F24C 5/20; F24B 1/182; F23D 14/28

See application file for complete search history.

(56) References Cited

U.S. PATENT DOCUMENTS

D610,390 S * 2/2010 Nishijima D7/332
11,412,887 B2 * 8/2022 Wilcox A47J 36/34
2007/0087297 A1 * 4/2007 Long F23D 14/60
431/247
2010/0065034 A1 * 3/2010 Long F23K 5/007
126/38
2014/0290639 A1 * 10/2014 Kim F23D 14/28
126/38
2015/0122361 A1 * 5/2015 Kim G05D 16/0663
137/630.18

2015/0226437 A1 * 8/2015 Kim F24C 3/12
126/39 N
2018/0066845 A1 * 3/2018 Kim F24C 3/103
2022/0154928 A1 * 5/2022 Chartier F16K 27/0245

FOREIGN PATENT DOCUMENTS

CN 306221551 * 12/2020
CN 307468292 * 7/2022
CN 307530102 * 9/2022
CN 307536081 * 9/2022
GB 6069025 * 8/2019 H01L 23/05

OTHER PUBLICATIONS

Campingmoon Compact Foldable Stove, posted Feb. 10, 2022 [online], [retrieved Nov. 8, 2022]. Retrieved from internet, https://www.amazon.com/dp/B09S5Y9J6C? (Year: 2022).*
Amazon MSR PocketRocket Deluxe Ultralight, posted Jul. 13, 2018 [online], [retrieved Nov. 8, 2022]. Retrieved from internet, https://www.amazon.com/MSR-PocketRocket-Ultralight-Backpacking-Camping/dp/B07L5S65HR (Year: 2018).*
MSR PocketRocket 2, posted Aug. 20, 2009 [online], [retrieved Nov. 8, 2022]. Retrieved from internet, https://www.amazon.com/MSR-PocketRocket-Ultralight-Backpacking-Camping/dp/B01N5O7551 (Year: 2009).*
SOTO WindMaster, posted Sep. 10, 2013 [online], [retrieved Nov. 8, 2022]. Retrieved from internet, https://www.amazon.com/SOTO-WindMaster-Micro-Regulator-4Flex/dp/B00M1V86WK?th=1 (Year: 2013).*

* cited by examiner

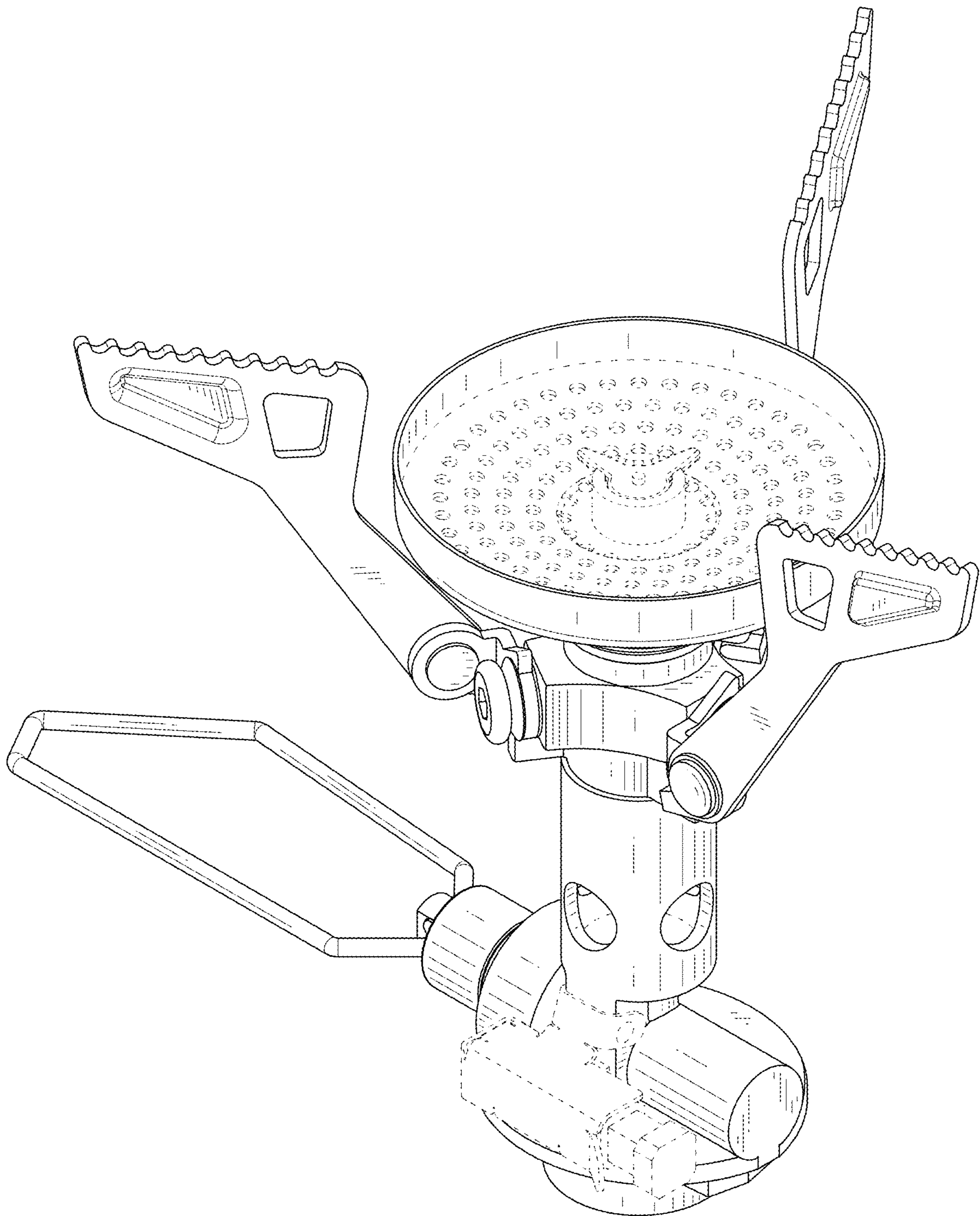


FIG.1

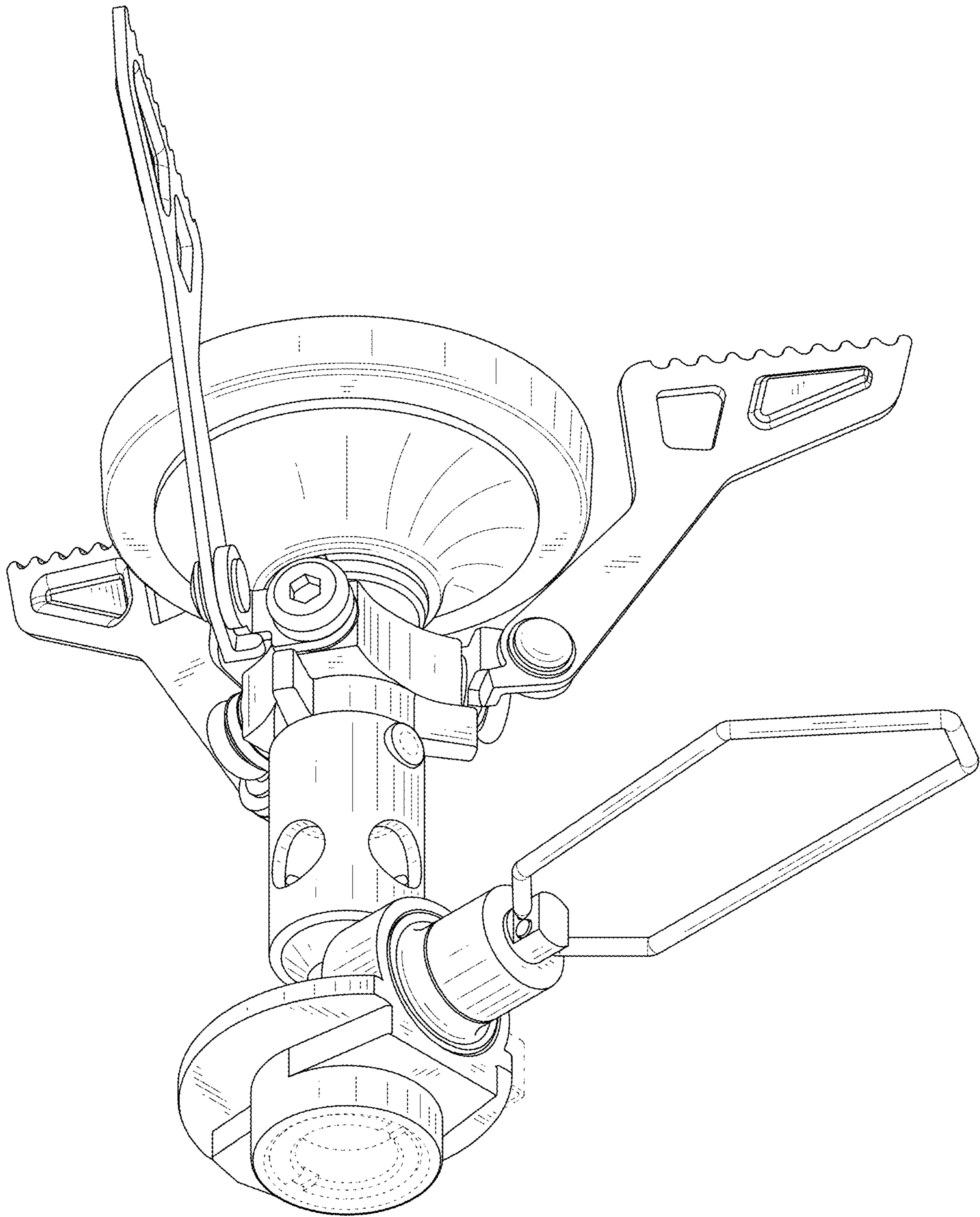


FIG.2

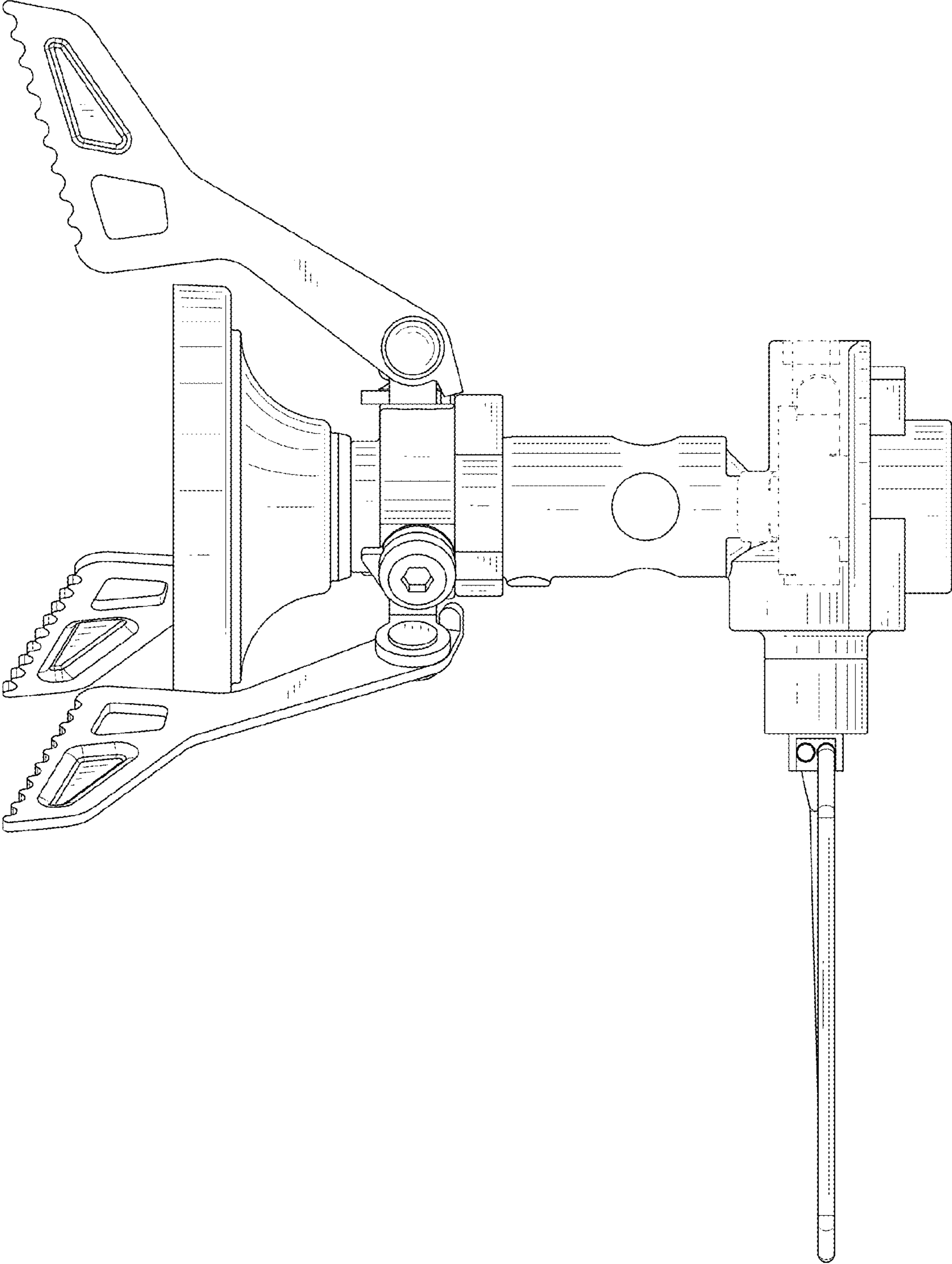


FIG.3

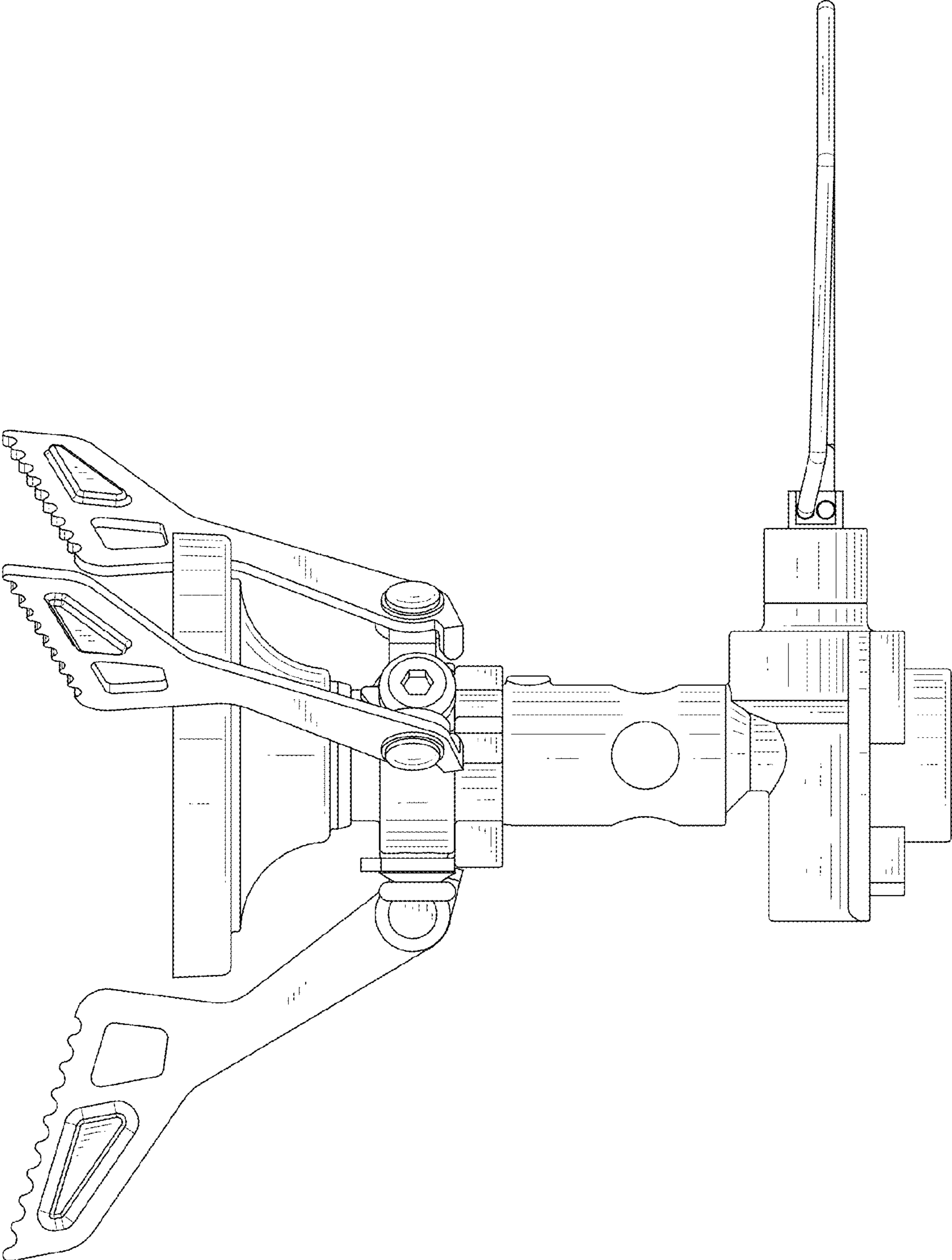


FIG.4

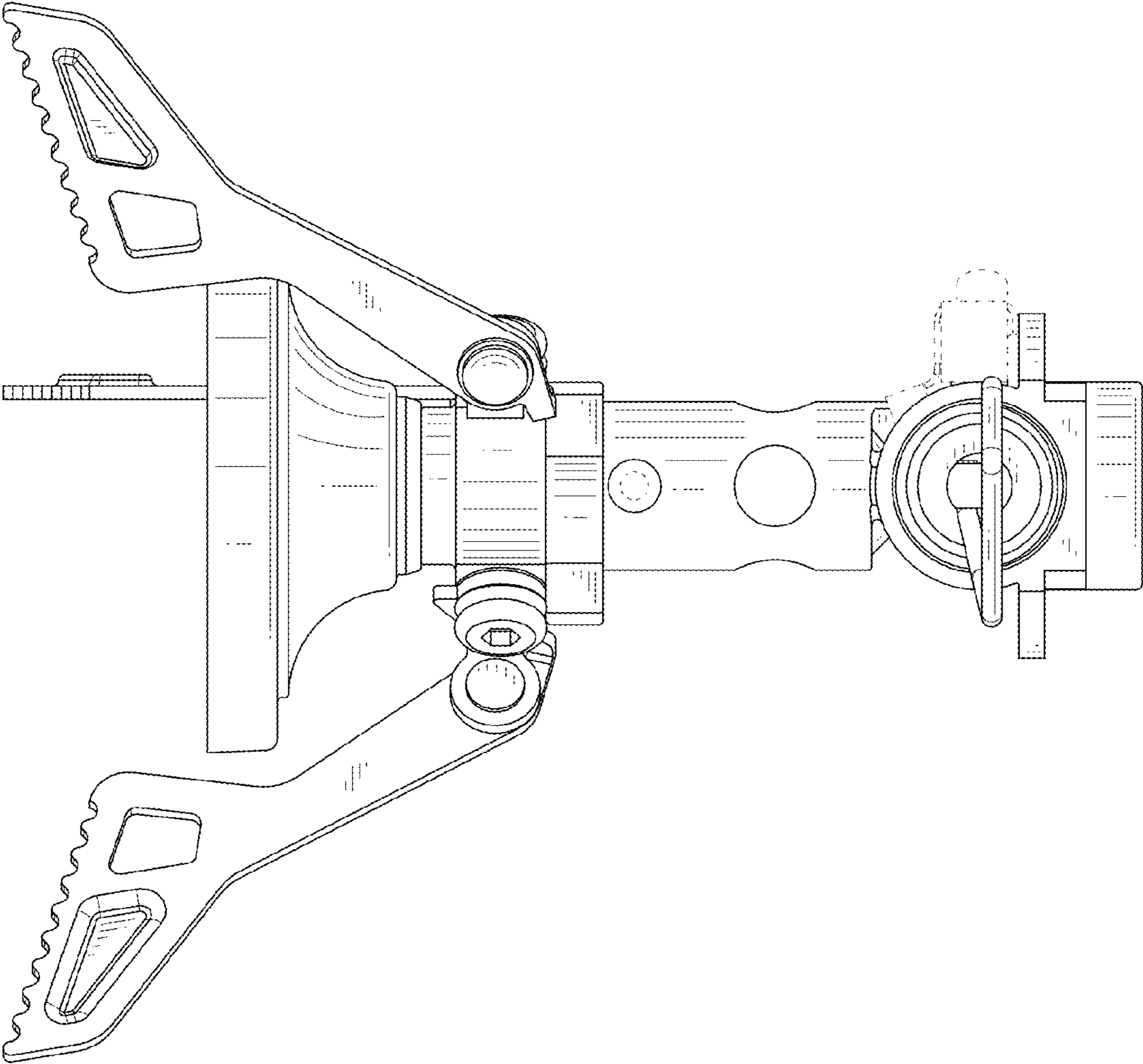


FIG.5

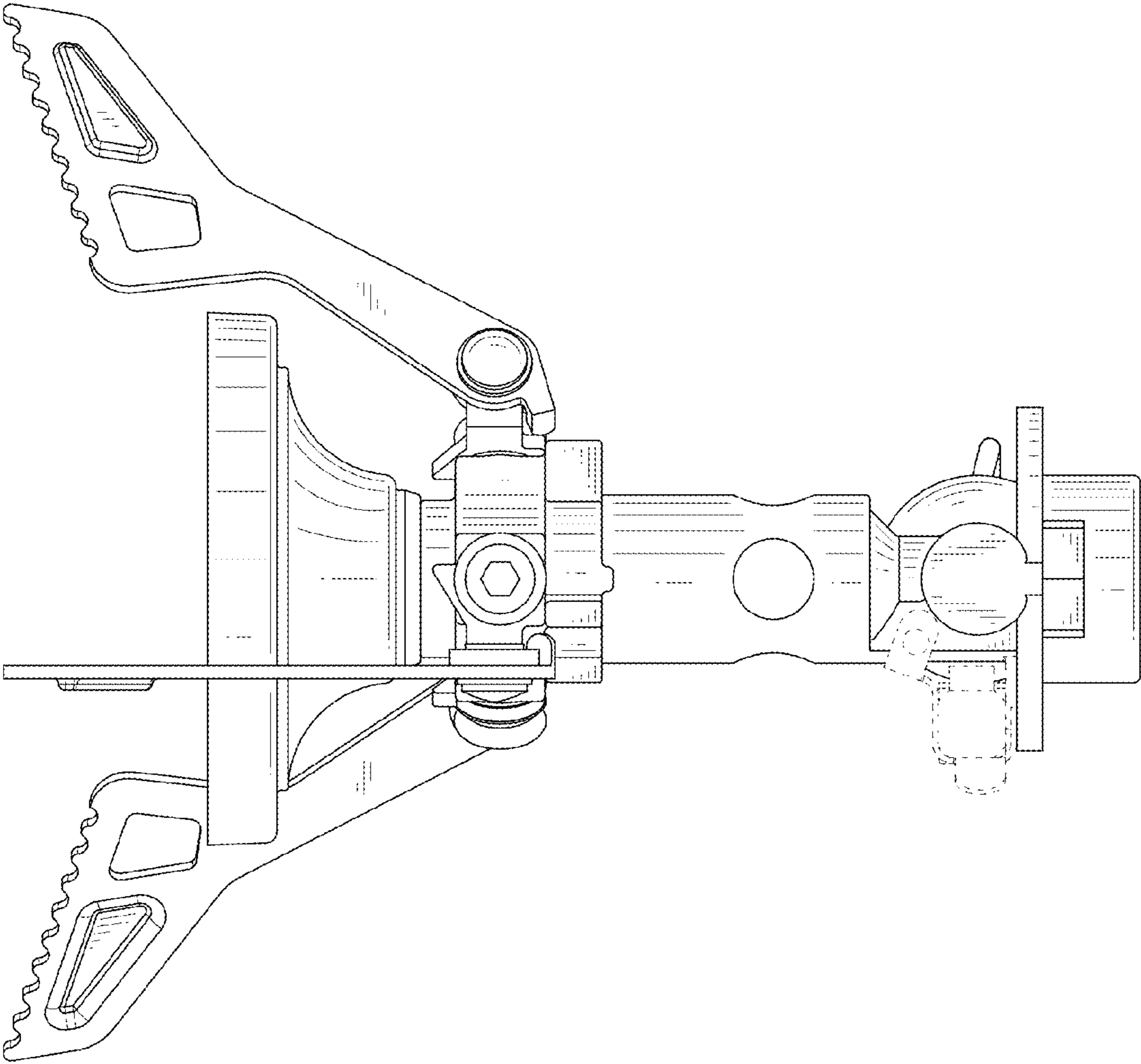


FIG.6

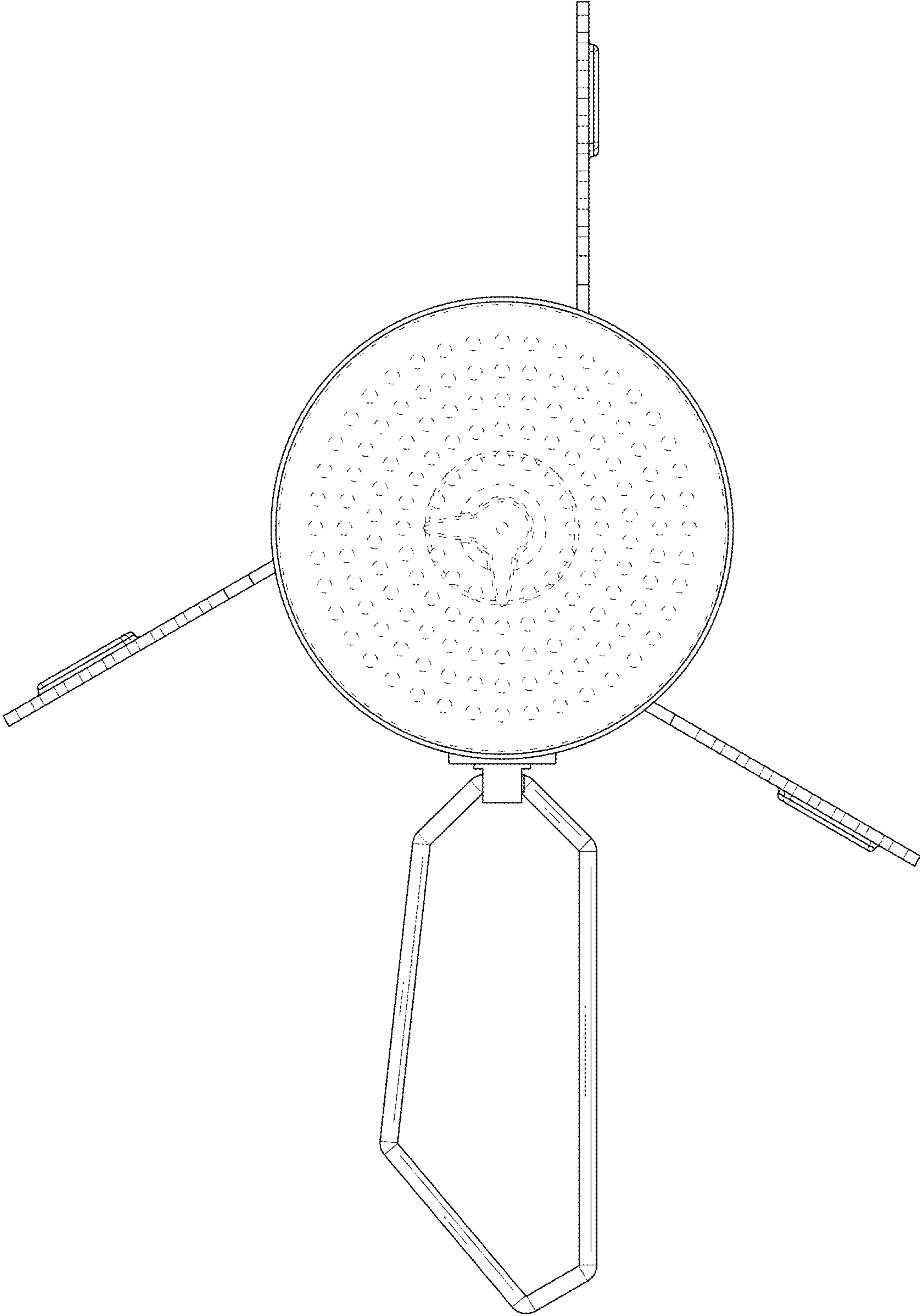


FIG.7

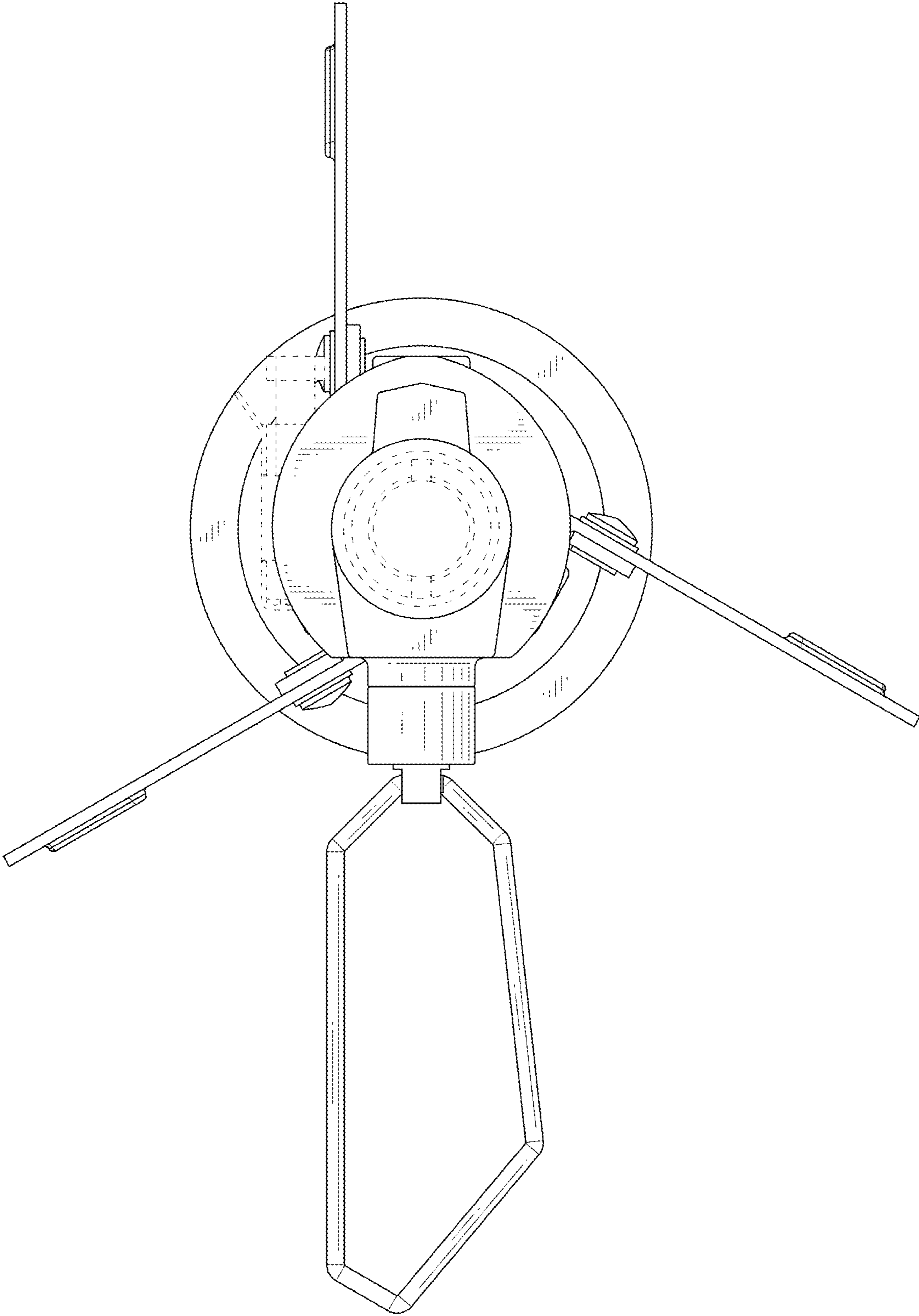


FIG.8