



US00D981163S

(12) **United States Design Patent** (10) **Patent No.:** **US D981,163 S**  
**Wolfe** (45) **Date of Patent:** **\*\* Mar. 21, 2023**

(54) **BEVERAGE WARMER**  
(71) Applicant: **Nextboom, Inc.**, Boulder, CO (US)  
(72) Inventor: **J. Michael Wolfe**, Boulder, CO (US)  
(73) Assignee: **Nextboom, Inc.**, Boulder, CO (US)  
(\*\*) Term: **15 Years**

6,072,161 A 6/2000 Stein  
D432,865 S 10/2000 Cohen  
6,140,614 A 10/2000 Padamsee  
D436,295 S 1/2001 Furman et al.  
6,314,867 B1 11/2001 Russell  
D457,036 S 5/2002 Manuel  
(Continued)

(21) Appl. No.: **29/837,596**  
(22) Filed: **May 6, 2022**

FOREIGN PATENT DOCUMENTS

CN 202283199 6/2012  
WO 2021096801 A1 5/2021  
WO 2021202147 A1 10/2021

(51) **LOC (14) Cl.** ..... **07-02**  
(52) **U.S. Cl.**  
USPC ..... **D7/323**; D7/367  
(58) **Field of Classification Search**  
USPC ..... D7/323, 326-327, 368, 386, 533, 536,  
D7/601, 602, 605; D14/207  
CPC ... A01J 9/08; A23L 3/10; A23B 4/015; A47G  
7/06; A47G 19/2205; A47J 27/04; A47J  
27/004; A47J 36/24; A47J 36/2411; A47J  
36/2416; A47J 36/2433; A47J 36/2438;  
A47J 39/00; A47J 39/006; A47J 41/00;  
A47J 43/042; A47J 43/1087; H05B  
3/0004

OTHER PUBLICATIONS

Salton SMW12BK Mug Coffee Warmer. Date First Available on Amazon.com Aug. 30, 2019. <https://www.amazon.com/dp/B07V3FVJ3R/ref> (Year: 2019).\*  
(Continued)

See application file for complete search history.

*Primary Examiner* — Ricky Pham  
(74) *Attorney, Agent, or Firm* — Dickinson Wright PLLC

(56) **References Cited**

U.S. PATENT DOCUMENTS

2,299,730 A 10/1942 Bornstein  
4,523,083 A 6/1985 Hamilton  
4,980,539 A 12/1990 Walton  
5,042,258 A 8/1991 Sundhar  
D338,302 S 8/1993 Shafer  
D366,810 S 2/1996 Yeh  
D377,293 S 1/1997 Husted  
D379,740 S 6/1997 Miller  
5,643,485 A 7/1997 Potter et al.  
5,842,353 A 12/1998 Kuo-Liang  
D408,689 S 4/1999 Kato  
6,013,901 A 1/2000 Lavoie

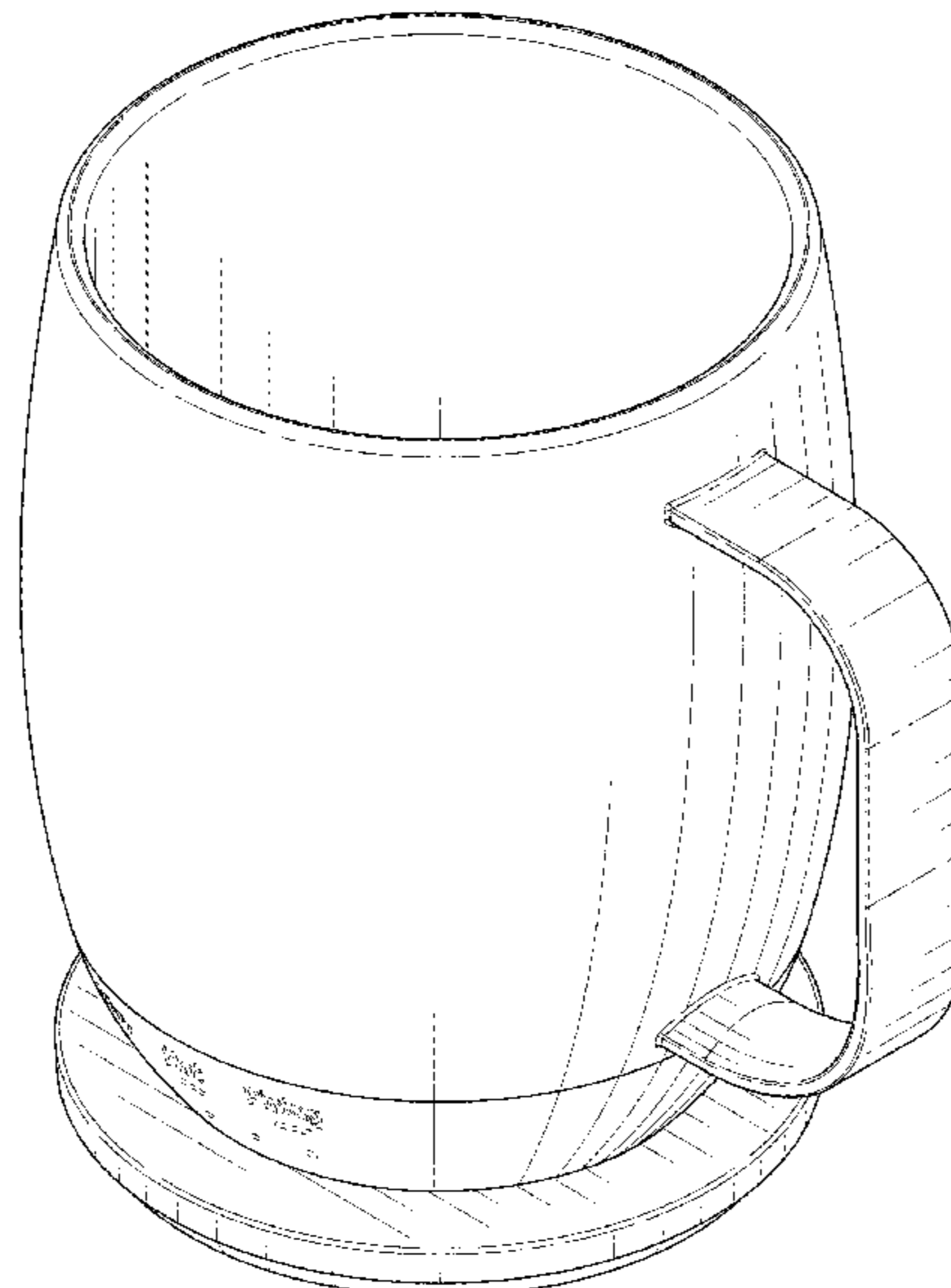
(57) **CLAIM**

I claim the ornamental design for a beverage warmer, as shown and described.

**DESCRIPTION**

FIG. 1 is a front-side top perspective view of a beverage warmer;  
FIG. 2 is a front view of the beverage warmer of FIG. 1;  
FIG. 3 is a rear view of the beverage warmer of FIG. 1;  
FIG. 4 is a left view of the beverage warmer of FIG. 1;  
FIG. 5 is a right side view of the beverage warmer of FIG. 1;  
FIG. 6 is a top view of the beverage warmer of FIG. 1; and,  
FIG. 7 is a bottom view of the beverage warmer of FIG. 1.  
The broken lines in the drawings illustrate portions of the beverage warmer that form no part of the claimed design.

**1 Claim, 7 Drawing Sheets**



(56)

References Cited

U.S. PATENT DOCUMENTS

6,403,928 B1 6/2002 Ford  
 D472,101 S 3/2003 Janky  
 D483,995 S 12/2003 Otake  
 6,674,052 B1 1/2004 Luo  
 D490,272 S 5/2004 Rohe  
 D495,208 S 8/2004 Putnam  
 6,796,705 B1 \* 9/2004 Khubani ..... A47J 43/1087  
 366/314  
 D497,778 S 11/2004 Rich  
 6,852,954 B1 2/2005 Liu et al.  
 D502,365 S 3/2005 Dretzka  
 D502,396 S 3/2005 Frisch et al.  
 6,864,462 B2 3/2005 Sanoner et al.  
 D514,884 S 2/2006 Smith et al.  
 D531,856 S 11/2006 Seum et al.  
 D535,151 S 1/2007 Seum et al.  
 D540,124 S 4/2007 Ross  
 7,227,108 B2 6/2007 Clothier et al.  
 D549,523 S 8/2007 Montes  
 D552,931 S 10/2007 Bodum  
 D557,564 S 12/2007 Bodum  
 D569,191 S \* 5/2008 Germany ..... D7/509  
 D569,192 S 5/2008 Bodum  
 D588,936 S 3/2009 Ioannides et al.  
 D599,169 S 9/2009 Stalions et al.  
 D608,147 S 1/2010 Sykes  
 D614,917 S 5/2010 Calco  
 7,777,159 B2 8/2010 Ho  
 D623,473 S 9/2010 Chen  
 7,952,322 B2 5/2011 Partovi et al.  
 7,997,786 B2 8/2011 Liu  
 8,042,456 B2 \* 10/2011 Elissen ..... A47J 27/004  
 99/323.3  
 D648,599 S 11/2011 Watanabe et al.  
 D649,403 S 11/2011 Eyal  
 D654,319 S 2/2012 Myers  
 D662,776 S 7/2012 Eyal  
 8,225,957 B1 7/2012 Volan  
 8,274,016 B2 9/2012 Montana  
 8,618,448 B2 12/2013 Alexander  
 D705,012 S 5/2014 Lapsker  
 D706,475 S 6/2014 Lee  
 8,759,721 B1 6/2014 Alexander  
 D716,982 S 11/2014 Corey  
 D719,785 S 12/2014 Grcic  
 D724,385 S 3/2015 Hurley et al.  
 D727,093 S 4/2015 Lapsker  
 9,035,222 B2 5/2015 Alexander  
 D734,989 S 7/2015 Lapsker  
 D747,929 S 1/2016 Arseneau et al.  
 D764,232 S 8/2016 Marina et al.  
 D764,233 S 8/2016 Lee et al.  
 D764,234 S 8/2016 Lee et al.  
 D770,853 S 11/2016 Gschwandtl et al.  
 D773,250 S 12/2016 Miller  
 D784,137 S 4/2017 Cates  
 D787,888 S 5/2017 Joseph  
 D788,034 S 5/2017 Gschwandtl et al.  
 D799,268 S 10/2017 Gschwandtl et al.  
 9,782,036 B2 10/2017 Alexander  
 9,801,482 B1 10/2017 Alexander et al.  
 9,814,331 B2 11/2017 Alexander  
 9,863,695 B2 1/2018 Alexander et al.  
 D813,607 S 3/2018 Nally et al.  
 9,974,401 B2 5/2018 Alexander

D821,143 S 6/2018 Cossu  
 D822,440 S 7/2018 Kuh et al.  
 10,010,213 B2 7/2018 Alexander et al.  
 D828,097 S 9/2018 Silsby  
 D832,050 S 10/2018 Diener et al.  
 10,098,498 B2 10/2018 Alexander  
 10,182,674 B2 1/2019 Alexander et al.  
 10,188,229 B2 1/2019 Alexander  
 D839,676 S 2/2019 Seiders et al.  
 10,244,892 B2 4/2019 Alexander et al.  
 D848,791 S 5/2019 Khayman  
 10,383,476 B2 8/2019 Alexander et al.  
 10,413,119 B2 9/2019 Alexander  
 D877,567 S 3/2020 Zhang  
 D878,849 S 3/2020 Alexander et al.  
 D879,070 S \* 3/2020 Chang ..... D14/207  
 D882,343 S 4/2020 Rane et al.  
 D884,429 S 5/2020 Trachtenberg  
 10,670,323 B2 6/2020 Alexander et al.  
 10,743,708 B2 8/2020 Alexander et al.  
 D905,506 S 12/2020 Wiesenthal  
 10,852,047 B2 12/2020 Alexander et al.  
 D914,455 S 3/2021 Haskins  
 10,941,972 B2 3/2021 Alexander et al.  
 10,989,466 B2 4/2021 Alexander et al.  
 10,995,979 B2 5/2021 Alexander et al.  
 D922,145 S 6/2021 Kuh et al.  
 11,067,327 B2 7/2021 Alexander et al.  
 11,083,332 B2 8/2021 Alexander et al.  
 11,089,891 B2 8/2021 Alexander  
 D960,647 S \* 8/2022 Yang ..... D7/533  
 2001/0036124 A1 \* 11/2001 Rubenstein ..... A47J 43/042  
 366/205  
 2004/0149763 A1 \* 8/2004 Chen ..... A47G 7/06  
 220/703  
 2005/0121431 A1 6/2005 Yuen  
 2006/0207442 A1 9/2006 Pettersson  
 2010/0000980 A1 1/2010 Popescu  
 2010/0224645 A1 9/2010 Gilbert  
 2011/0072978 A1 3/2011 Popescu  
 2012/0082766 A1 \* 4/2012 Maupin ..... A23L 3/32  
 426/244  
 2012/0103562 A1 5/2012 Alexander  
 2013/0175278 A1 7/2013 Kha, Jr.  
 2013/0221013 A1 8/2013 Kolowich et al.  
 2014/0124513 A1 5/2014 Shearer  
 2018/0014675 A1 \* 1/2018 Awala ..... A47G 19/2205  
 2018/0312322 A1 11/2018 Canales Kell  
 2019/0223639 A1 7/2019 Alexander et al.  
 2020/0093326 A1 3/2020 Alexander  
 2020/0146477 A1 5/2020 Alexander et al.  
 2020/0345180 A1 11/2020 Alexander et al.  
 2021/0045576 A1 2/2021 Alexander et al.  
 2021/0231365 A1 7/2021 Alexander et al.  
 2021/0239394 A1 8/2021 Alexander et al.  
 2021/0333035 A1 10/2021 Alexander et al.

OTHER PUBLICATIONS

2-LOK Coffee Mug with Warmer Set. Date First Available on Amazon.com Aug. 20, 2022. [https://www.amazon.com/dp/B0BBBB7VVR/ref=\(Year: 2022\).](https://www.amazon.com/dp/B0BBBB7VVR/ref=(Year: 2022).)\*  
 Website for "Vsitoo S3 Pro," <https://www.vsitoo.com/home/page/index/catId/25.html>, retrieved on May 6, 2022, 8 pages.  
 Website for "Ember Mug," <https://ember.com/products/ember-mug-2?variant=30843977859157>, retried on May 6, 2022, 6 pages.

\* cited by examiner



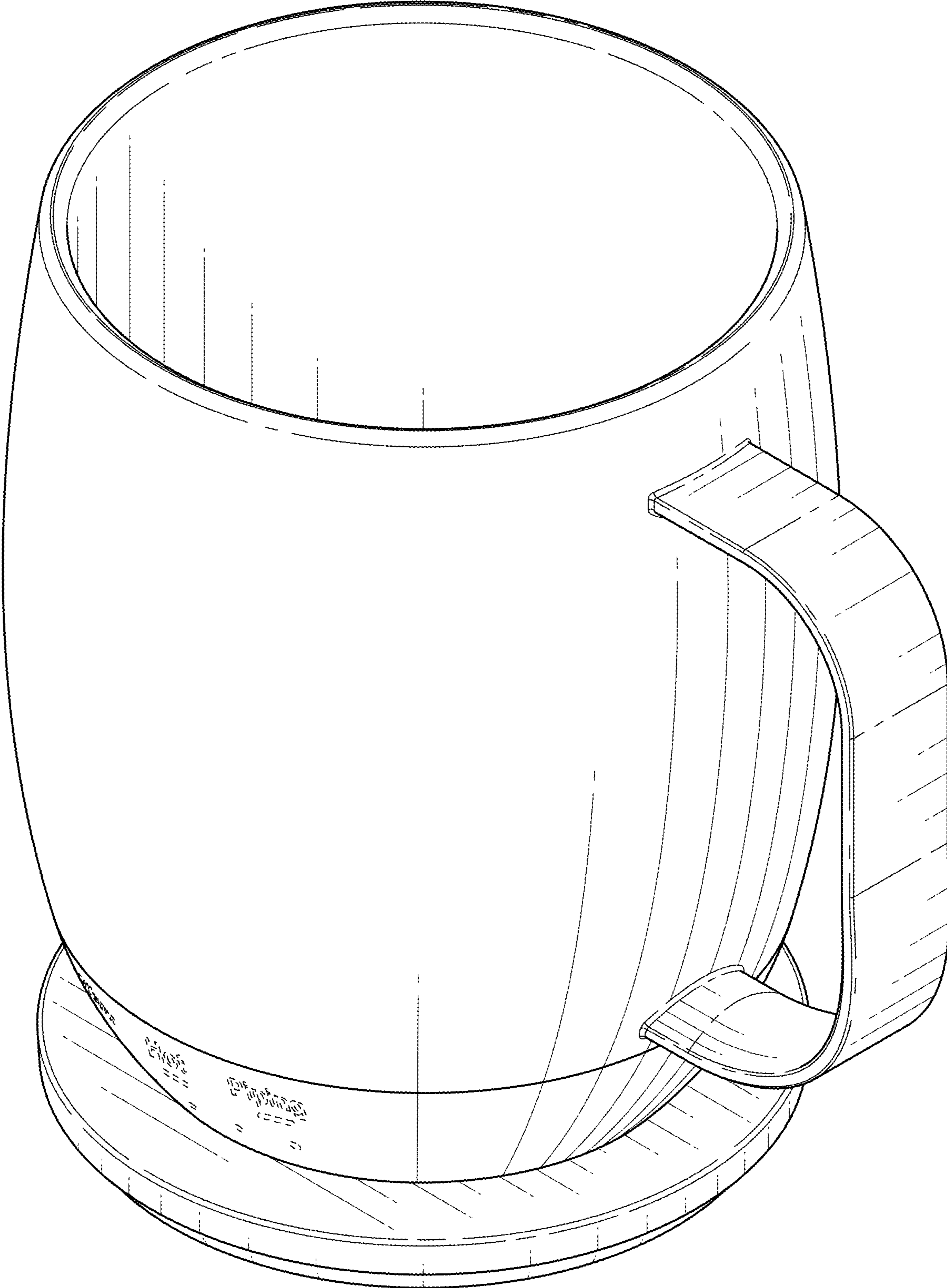


FIG. 1

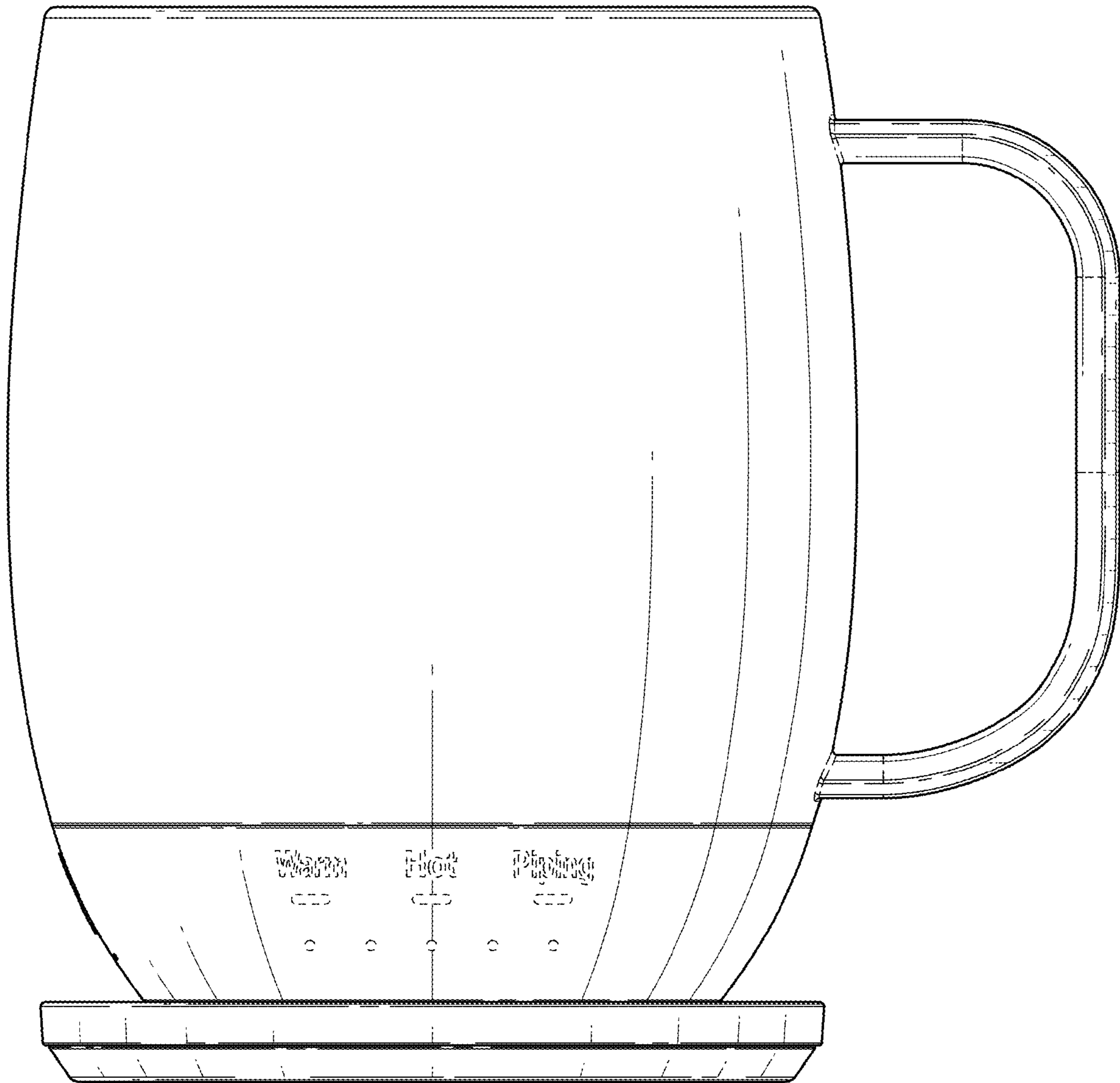


FIG. 2

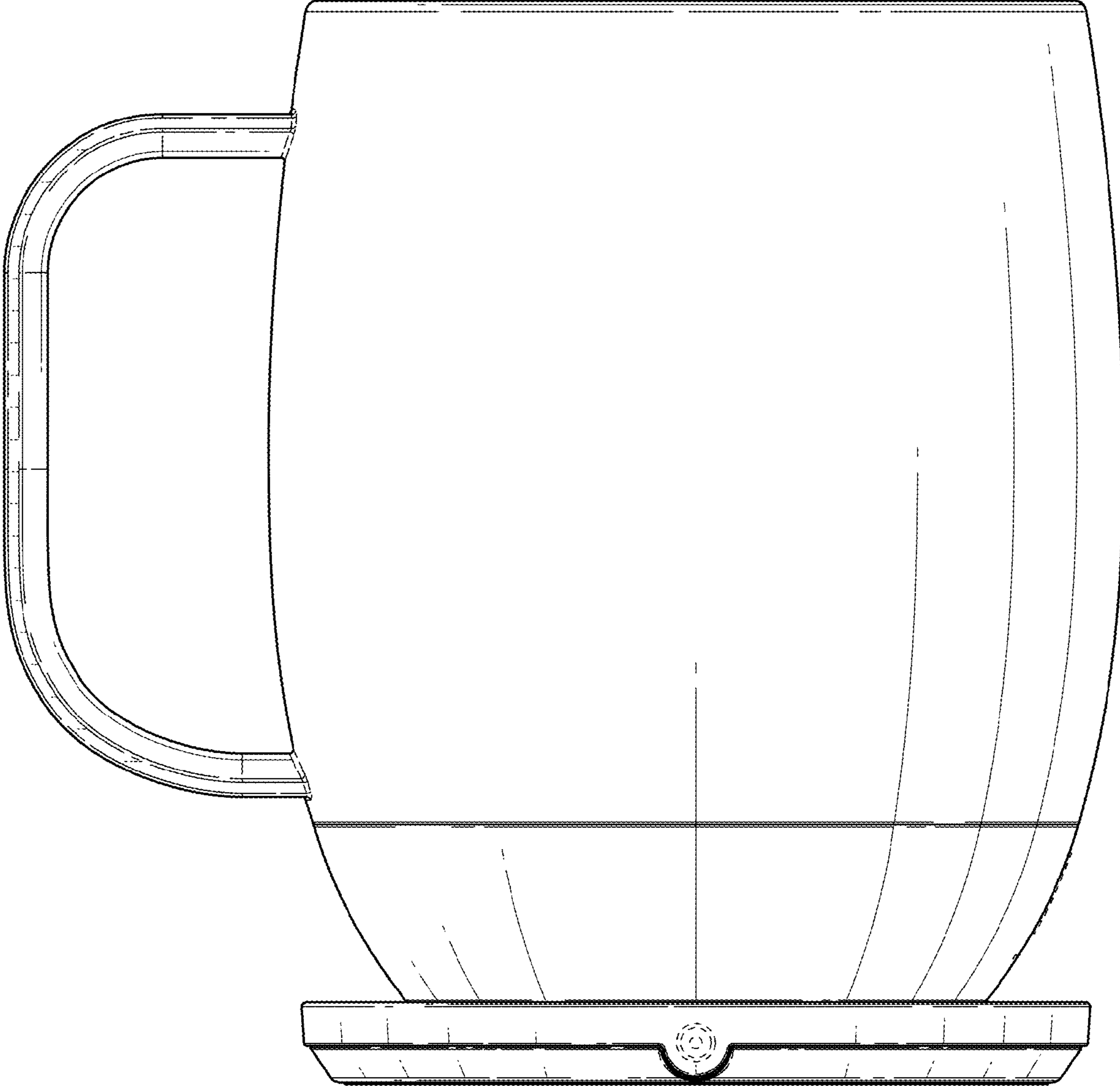


FIG. 3

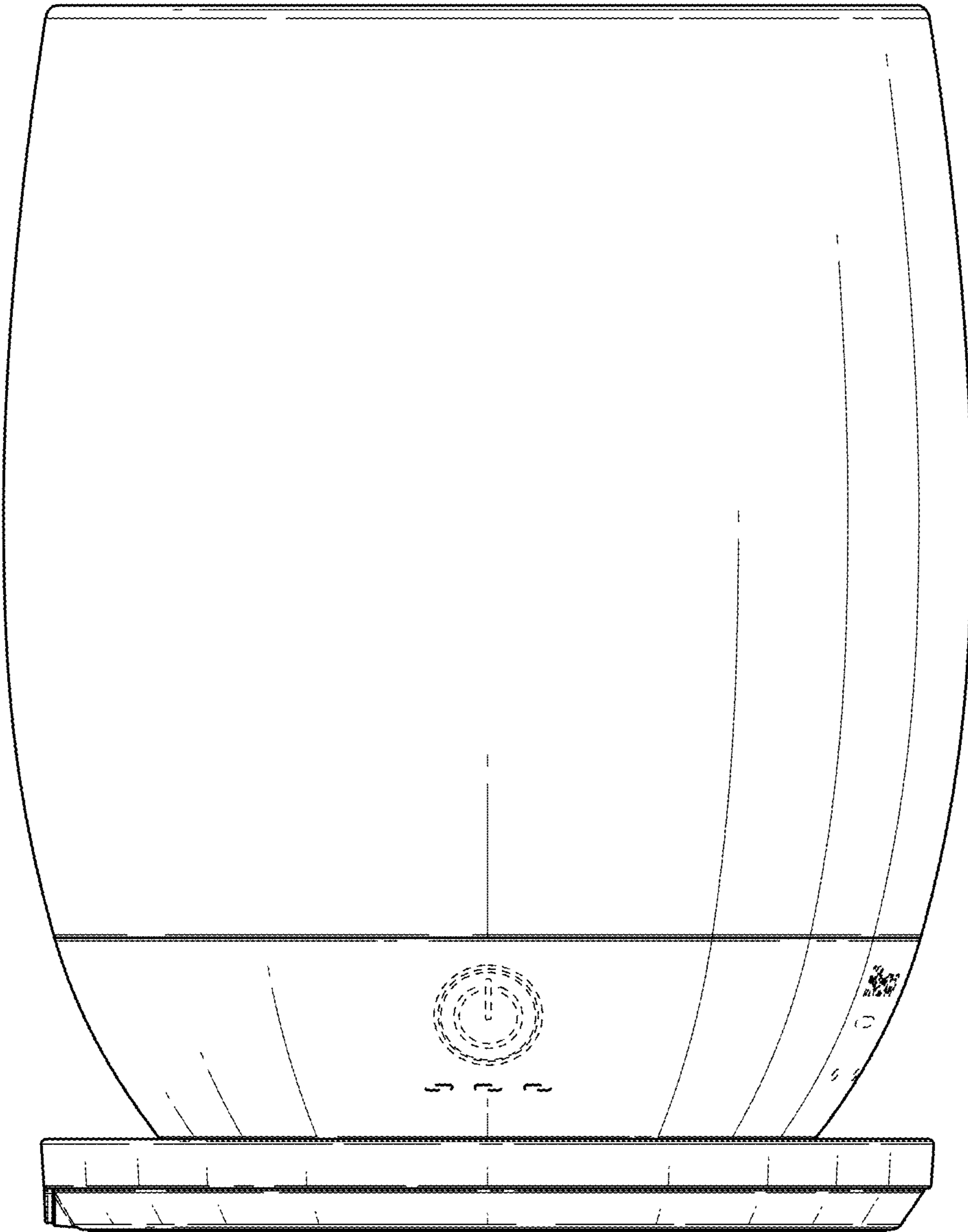


FIG. 4

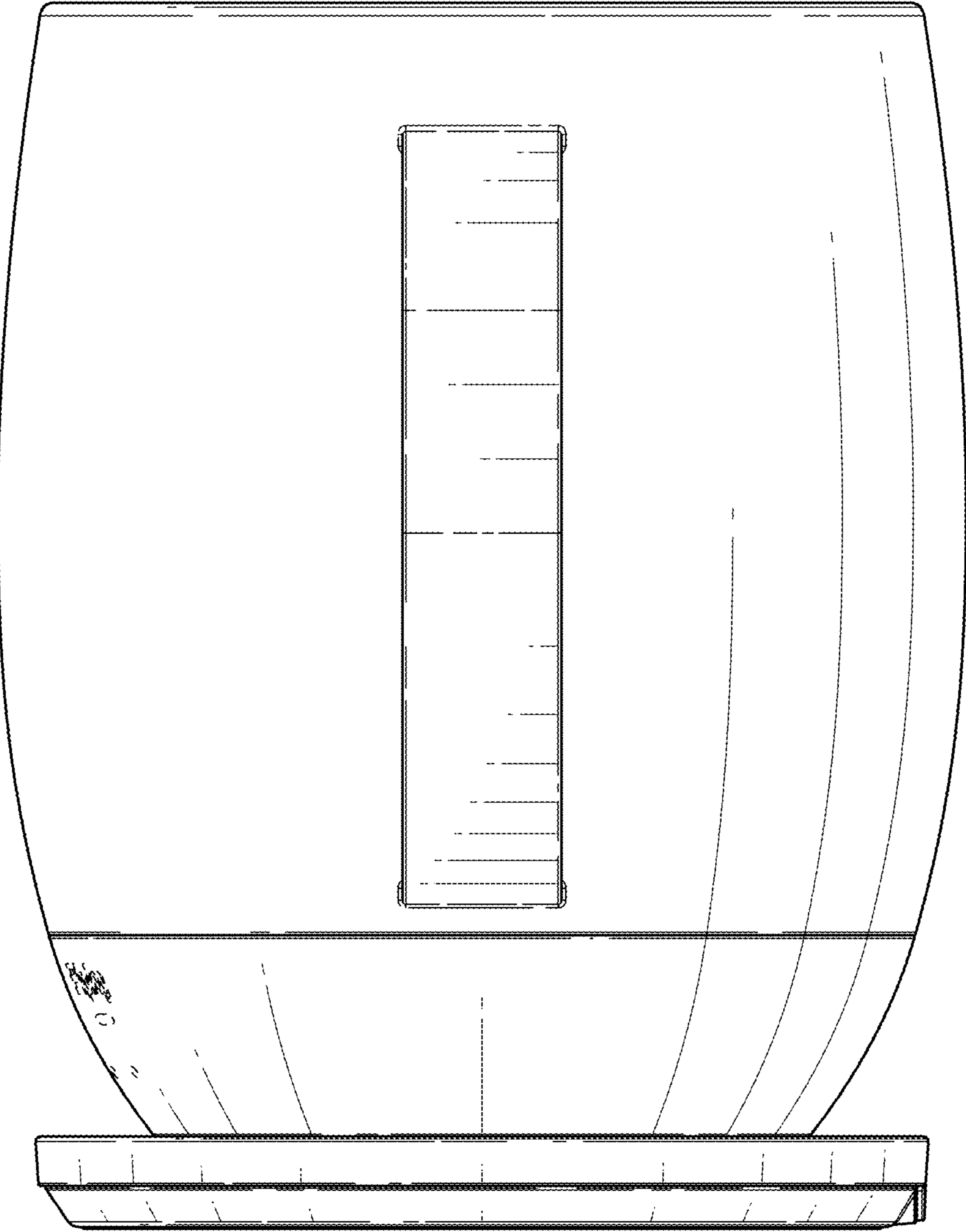


FIG. 5

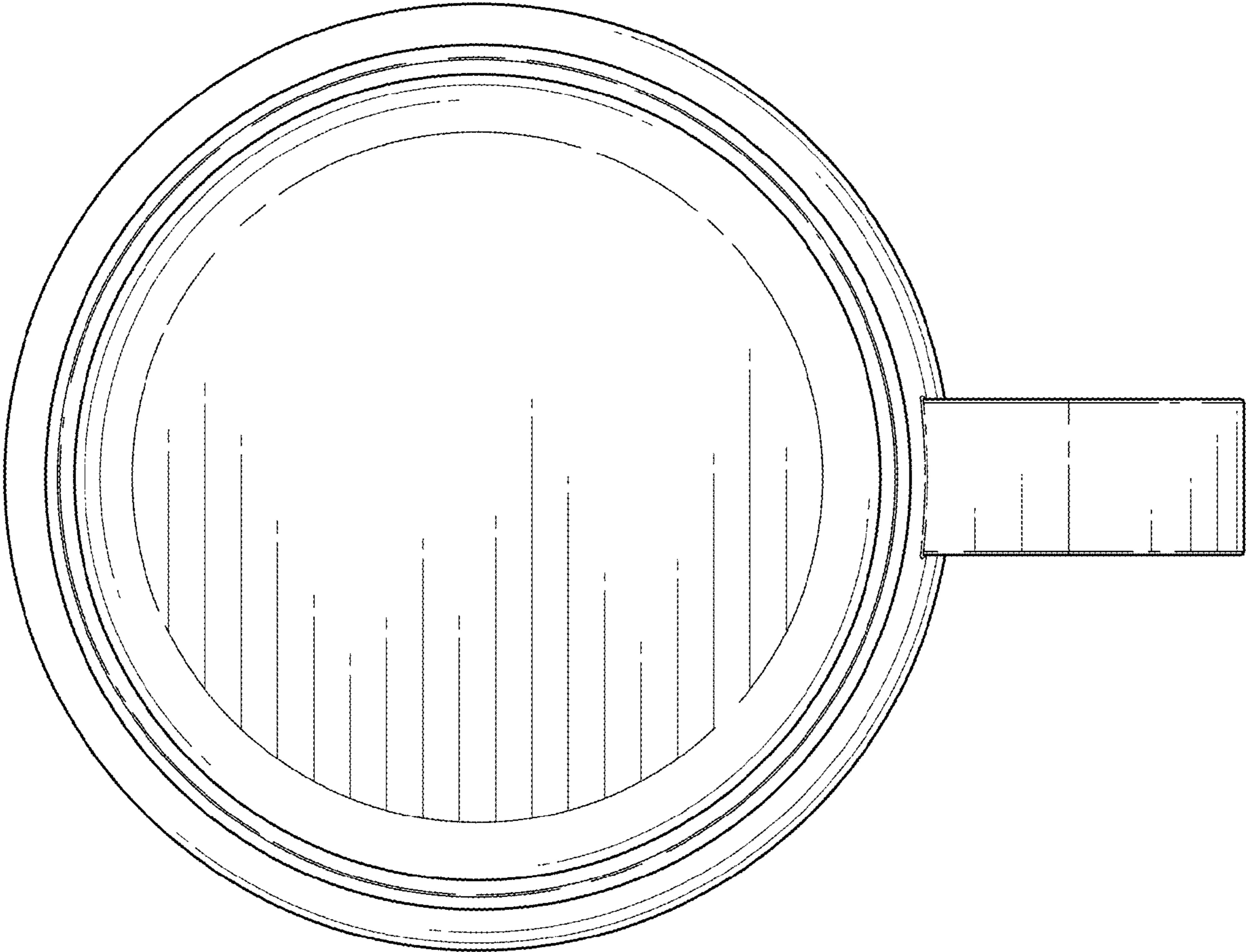


FIG. 6



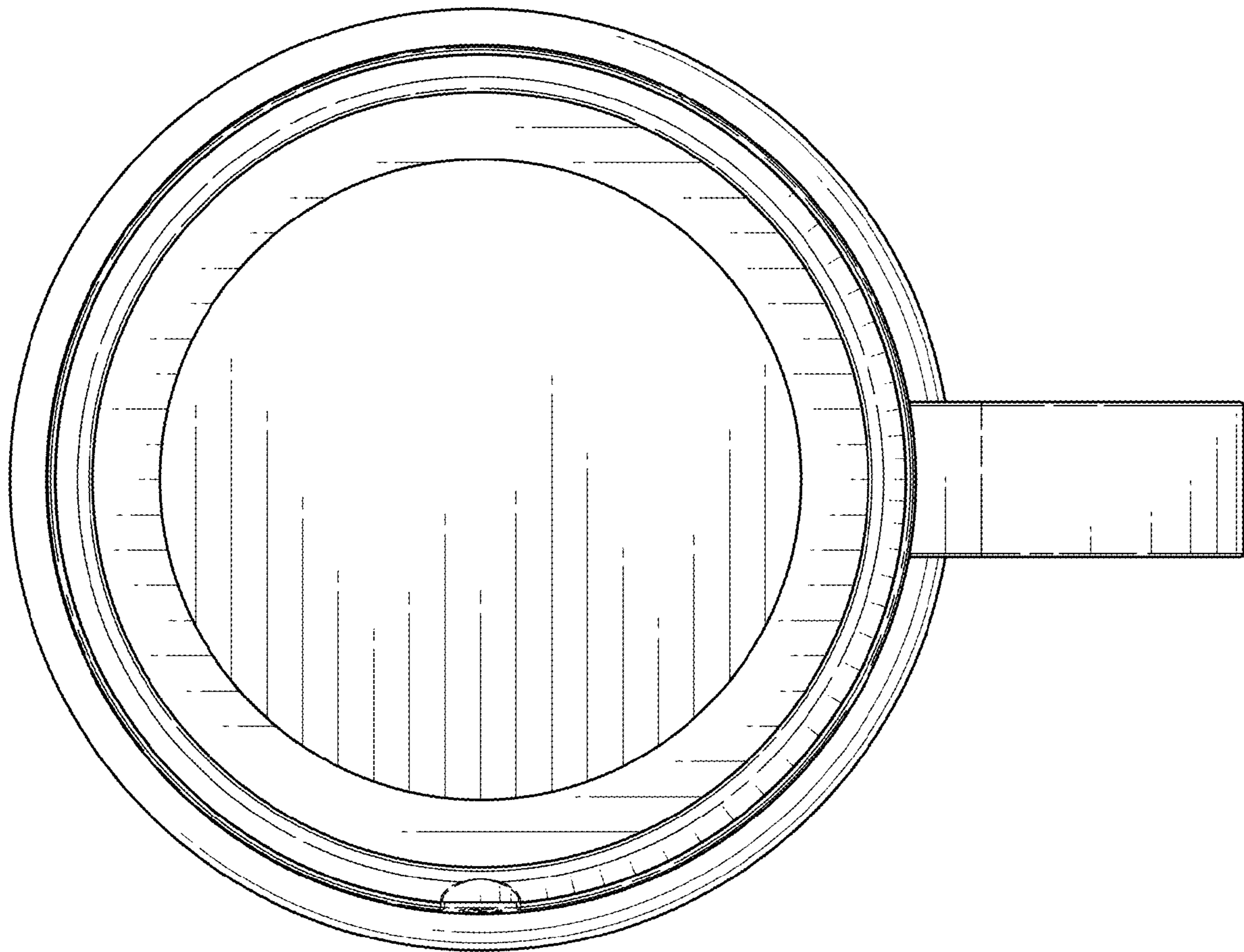


FIG. 7