



US00D981157S

(12) **United States Design Patent**
Ling

(10) **Patent No.:** **US D981,157 S**
(45) **Date of Patent:** **** Mar. 21, 2023**

(54) **TEA TABLE**

(71) Applicant: **Gang Ling**, Shenzhen (CN)

(72) Inventor: **Gang Ling**, Shenzhen (CN)

(**) Term: **15 Years**

(21) Appl. No.: **29/814,345**

(22) Filed: **Nov. 5, 2021**

(51) **LOC (14) Cl.** **06-03**

(52) **U.S. Cl.**
USPC **D6/692**

(58) **Field of Classification Search**
USPC D6/349, 685, 686, 692, 692.1–692.6
CPC A47B 7/00; A47B 13/00; A47B 13/02;
A47B 13/023; A47B 13/04; A47B 13/06;
A47B 13/08; A47B 13/12; A47B 17/00;
A47B 21/00; A47B 2200/0001; A47B
2200/0011; A47B 2200/002

See application file for complete search history.

(56) **References Cited**

U.S. PATENT DOCUMENTS

1,716,694	A *	6/1929	Harter	A47C 9/00 248/188
D312,010	S *	11/1990	Grosfillex	D6/692.6
D362,983	S *	10/1995	Magnusson	D6/692
D606,335	S *	12/2009	Hallerod	D6/692
D621,183	S	8/2010	Wang et al.		
D793,135	S *	8/2017	Manente	D6/692
D867,041	S *	11/2019	Grassinger	D6/692
D887,189	S	6/2020	Li		
D910,353	S *	2/2021	Guo	D6/692

OTHER PUBLICATIONS

Collections Etc Wooden Round Side Accent Table—Amazon, First available May 28, 2018 <https://www.amazon.com/Collections-Etc-Wooden-Accent-Unfinished/dp/B07D969QQM> retrieved from the internet on Aug. 1, 2022.*

Apicizon Round Side Table—Amazon, first available Feb. 2, 2021 https://www.amazon.com/APICIZON-Nightstand-Bedroom-Assembly-Bedside/dp/B08LYPSDNY/ref=pd_lpo_1?pd_rd_i=B08LYPSDNY&th=1 retrieved from the internet on Aug. 1, 2022.*

Giantex Round Coffee End Table—Amazon, first available Oct. 1, 2016 <https://www.amazon.com/Giantex-Coffee-Dining-Living-Furniture/dp/B01LZZZV11> retrieved from the internet on Aug. 1, 2022.*

* cited by examiner

Primary Examiner — Mary Ann Calabrese

(57) **CLAIM**

The ornamental design for a tea table, as shown and described.

DESCRIPTION

FIG. 1 is a perspective view of a tea table showing my new design;

FIG. 2 is a front elevational view thereof;

FIG. 3 is a rear elevational view thereof;

FIG. 4 is a left side elevational view thereof;

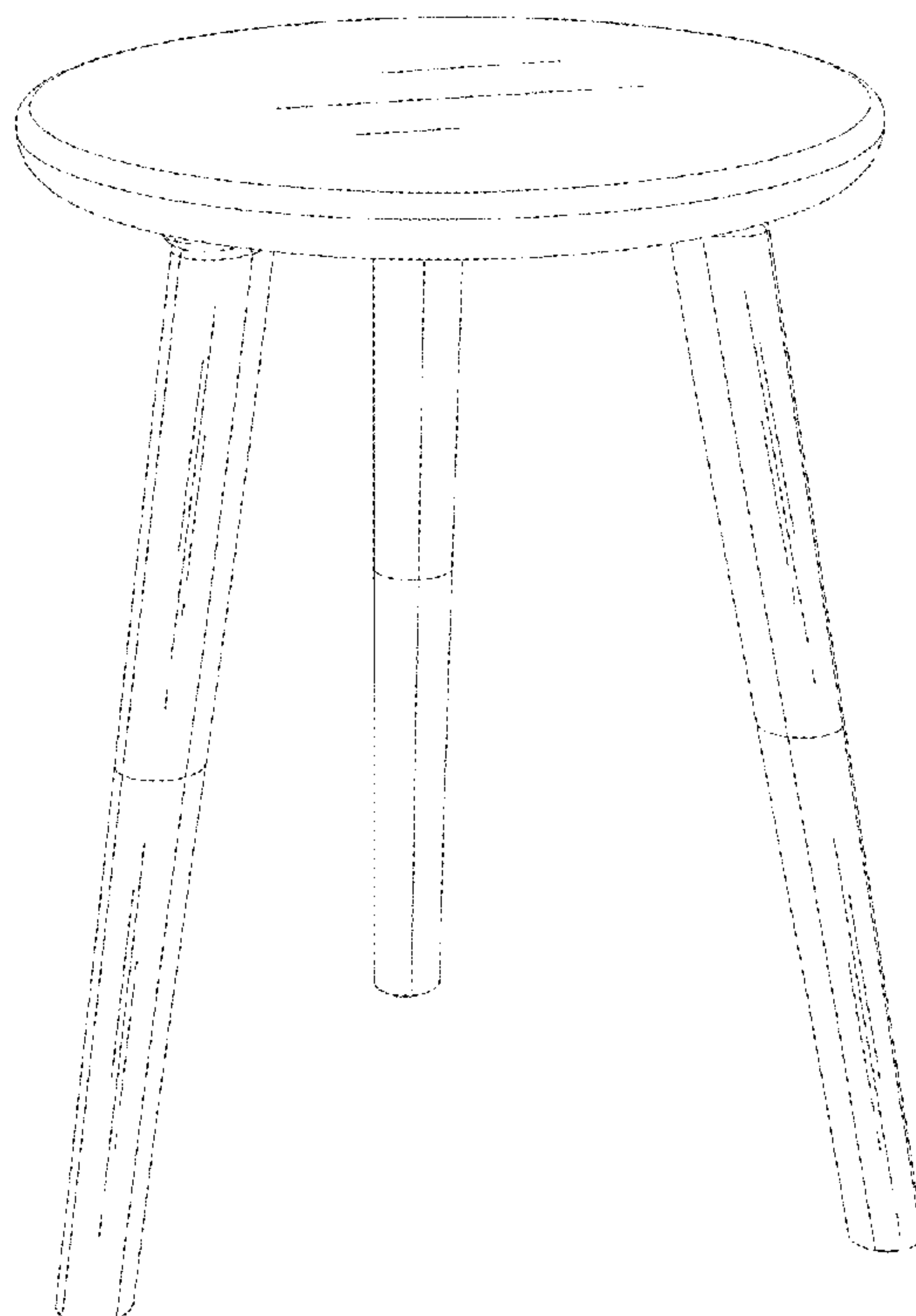
FIG. 5 is a right side elevational view thereof;

FIG. 6 is a top plan view thereof;

FIG. 7 is a bottom plan view thereof; and,

FIG. 8 is an exploded left side elevational view of a table leg of the tea table shown separately for ease of illustration.

1 Claim, 8 Drawing Sheets



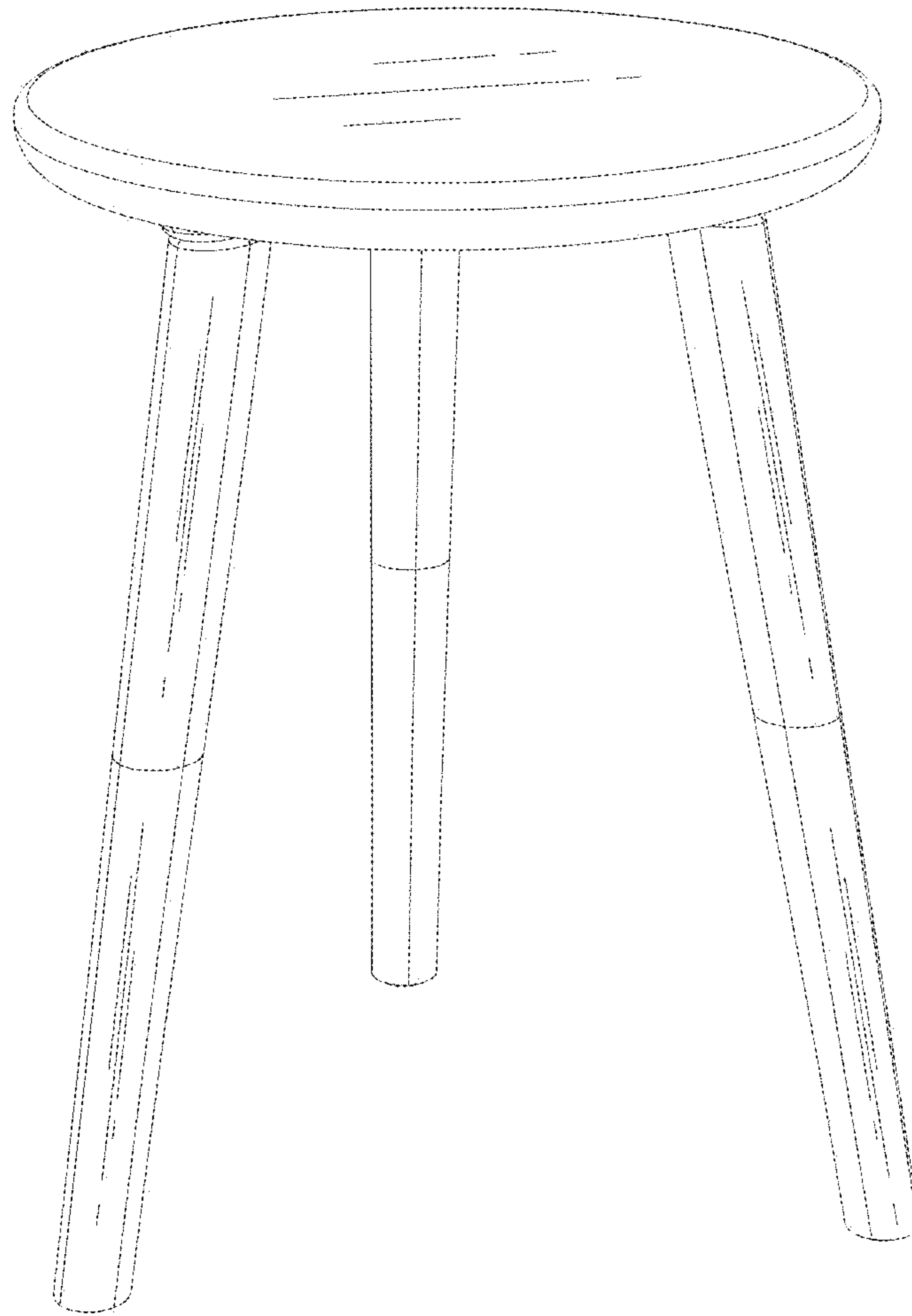


FIG. 1

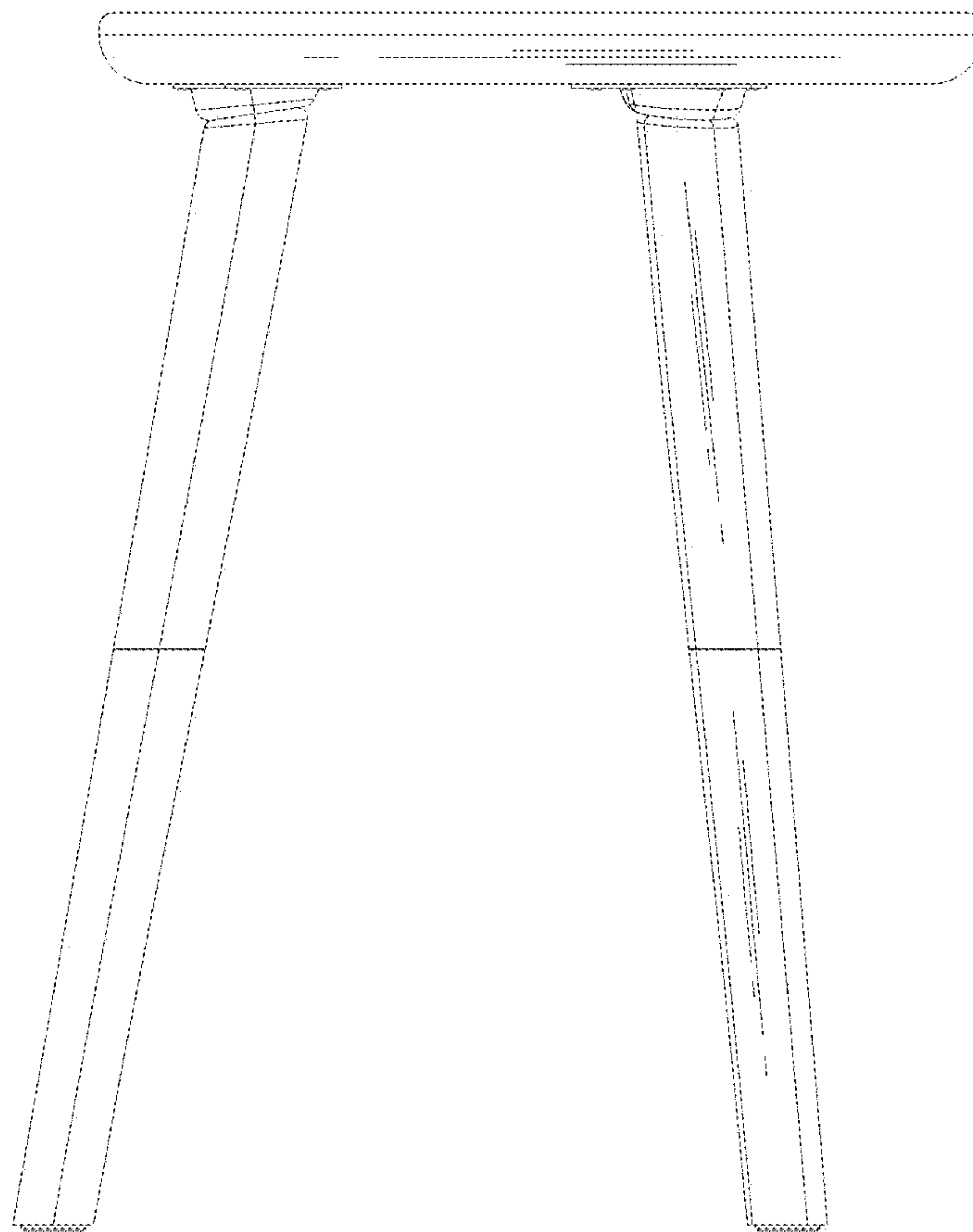


FIG. 2

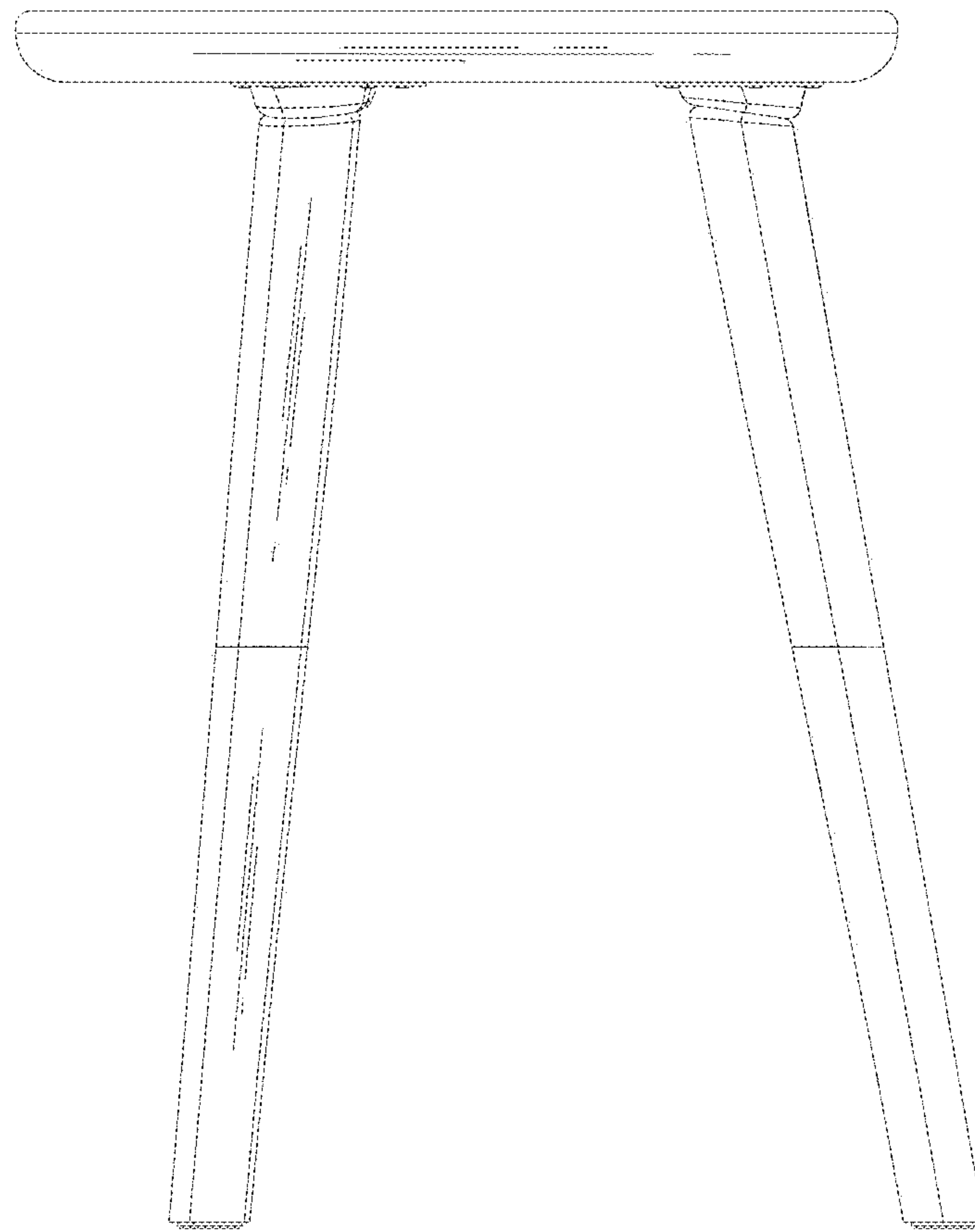


FIG. 3

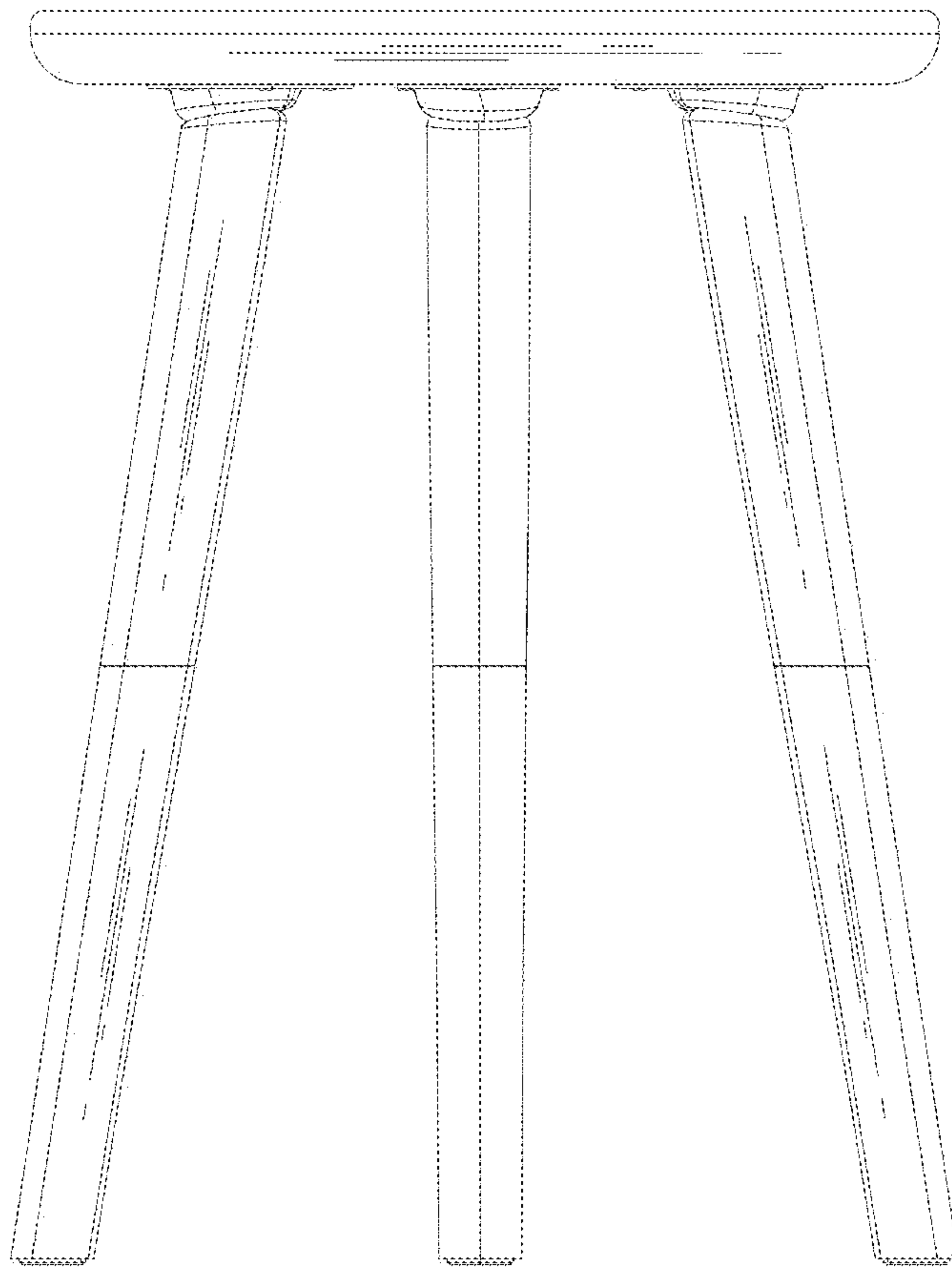


FIG. 4

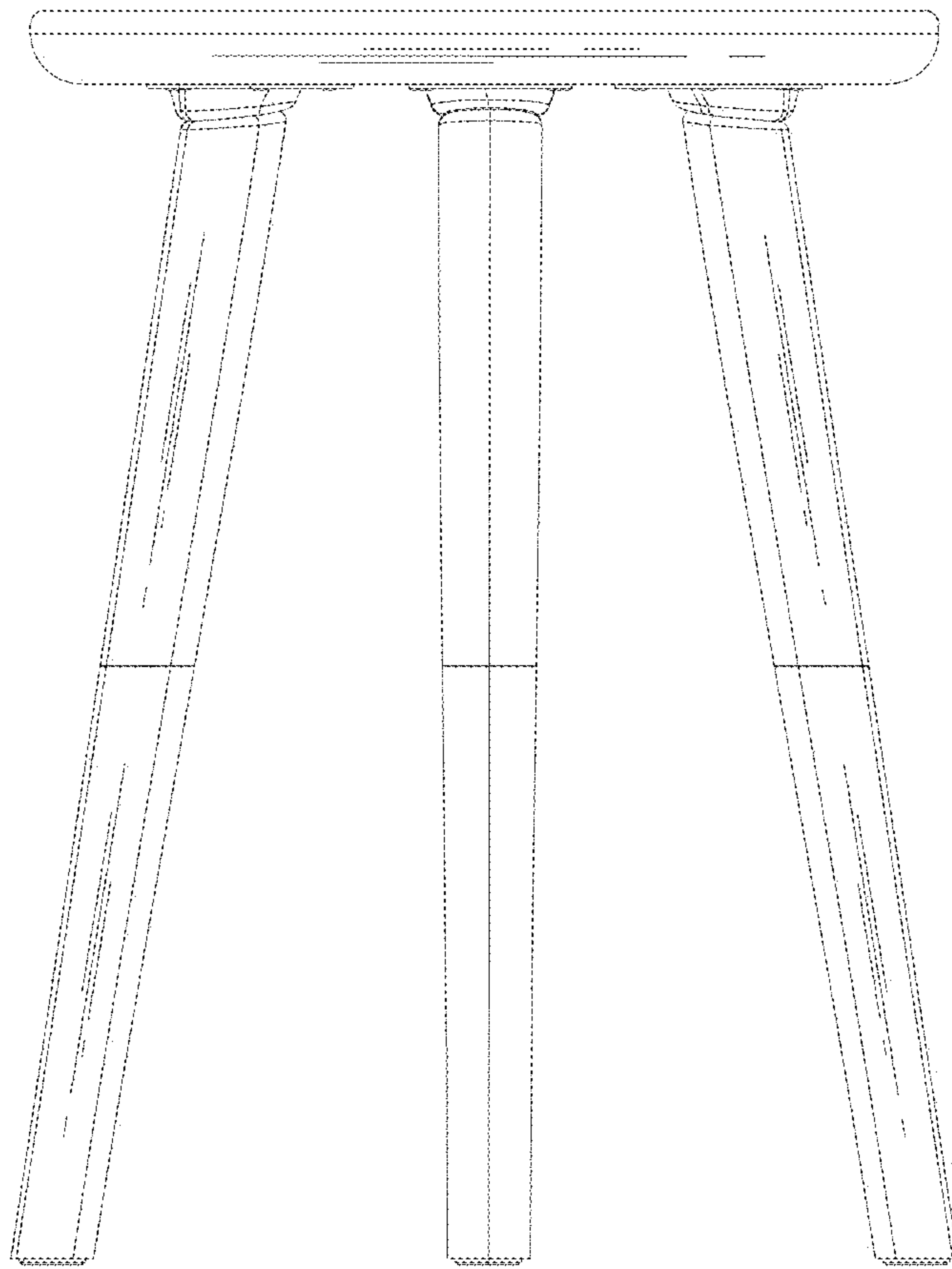


FIG. 5

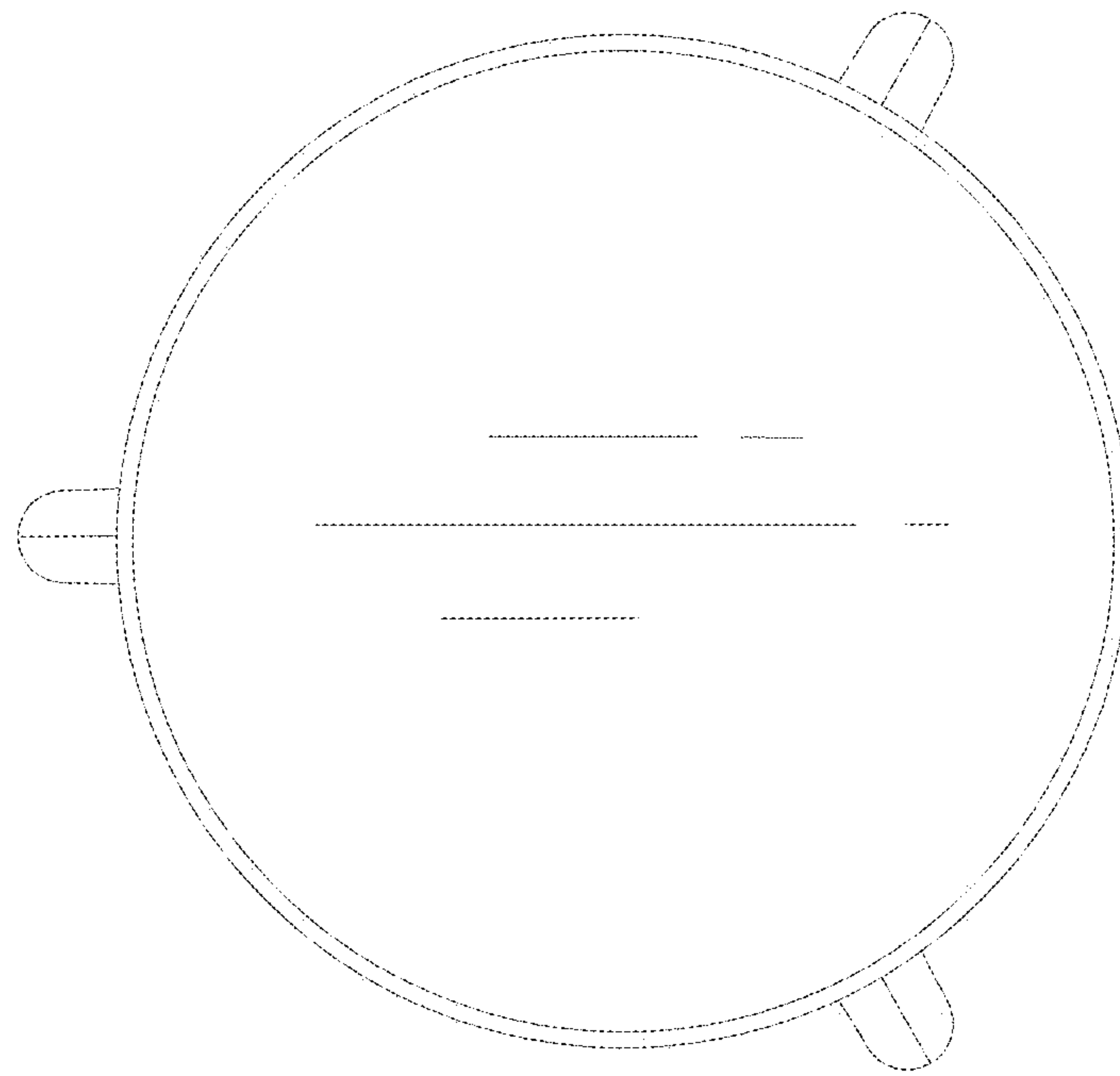


FIG. 6

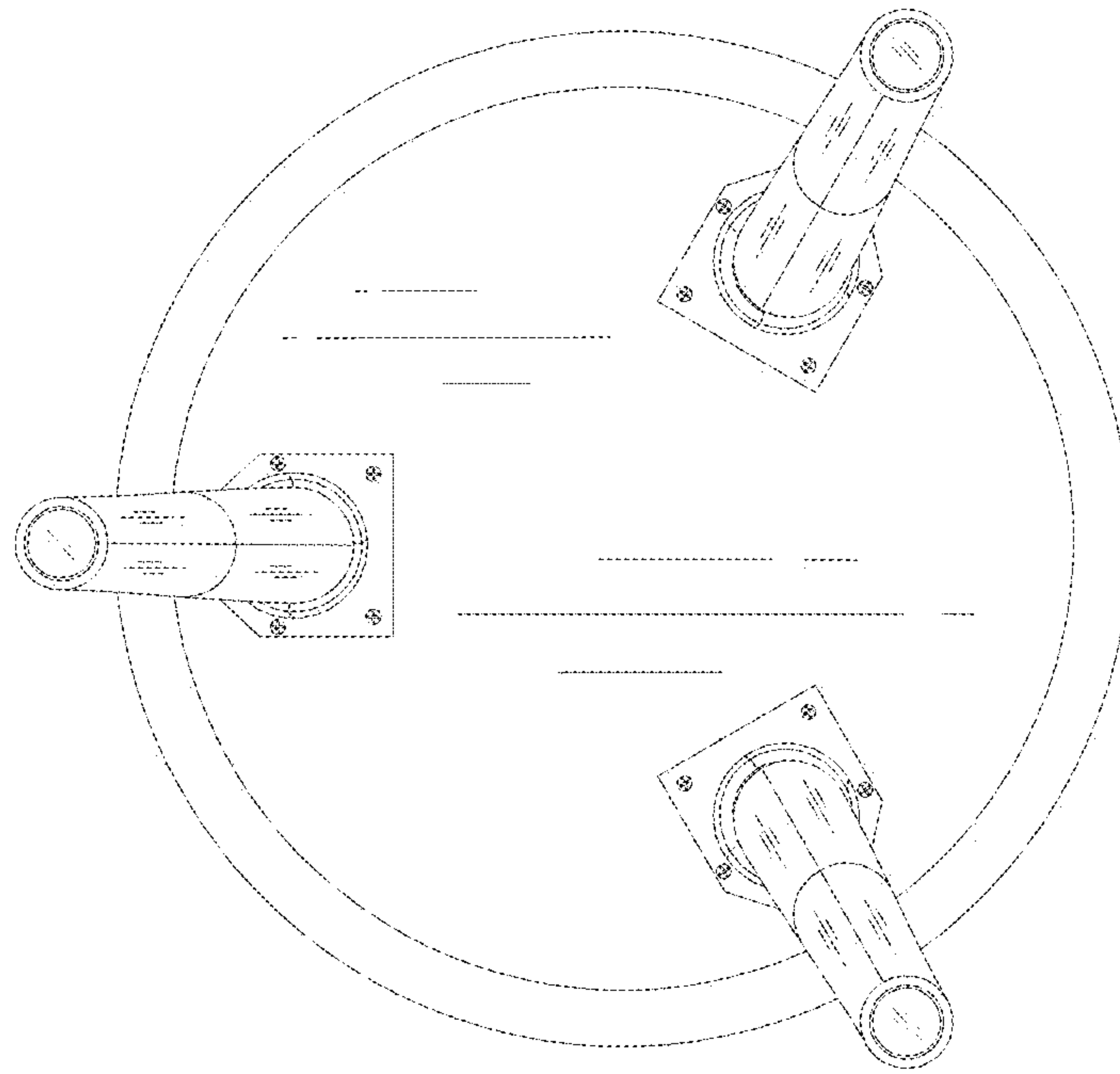


FIG. 7

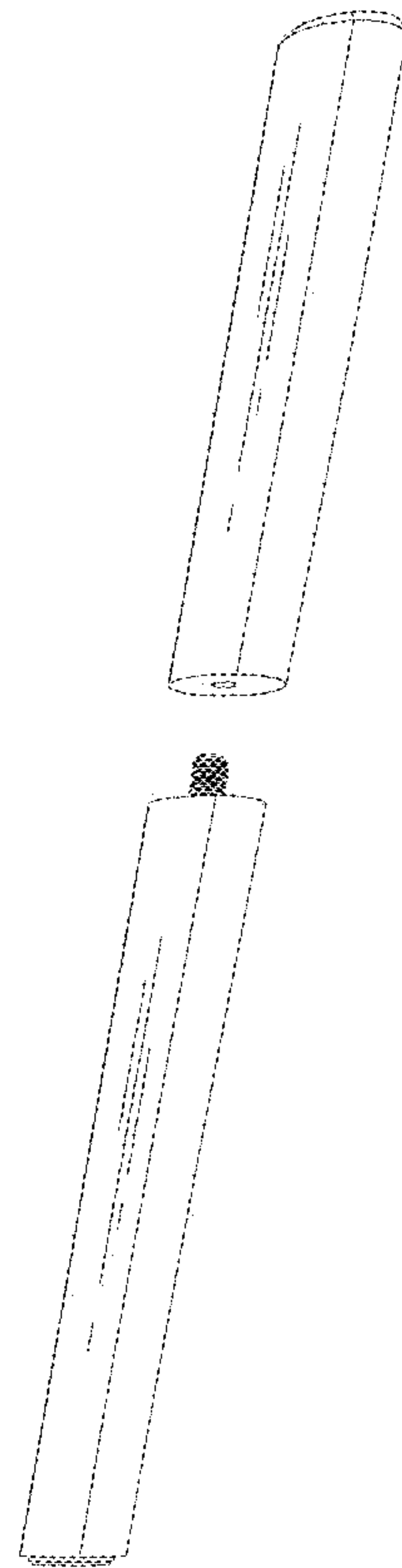


FIG. 8