



US00D981156S

(12) **United States Design Patent**
Gilbert

(10) **Patent No.:** **US D981,156 S**
(45) **Date of Patent:** **** Mar. 21, 2023**

(54) **END TABLE**

DESCRIPTION

- (71) Applicant: **AUSTIN GROUP FURNITURE, LLC**, Greensboro, NC (US)
- (72) Inventor: **Joseph Gilbert**, Greensboro, NC (US)
- (73) Assignee: **Austin Group Furniture, LLC**, Greensboro, NC (US)
- (**) Term: **15 Years**
- (21) Appl. No.: **29/753,849**
- (22) Filed: **Oct. 2, 2020**
- (51) **LOC (14) Cl.** **06-03**
- (52) **U.S. Cl.**
USPC **D6/691.9**
- (58) **Field of Classification Search**
USPC D6/657, 671, 671.1, 685, 686, 691, D6/691.1-691.9

(Continued)

(56) **References Cited**

U.S. PATENT DOCUMENTS

- D113,318 S * 2/1939 Barnet D16/230
- D209,404 S * 11/1967 Pearlman D6/686

(Continued)

OTHER PUBLICATIONS

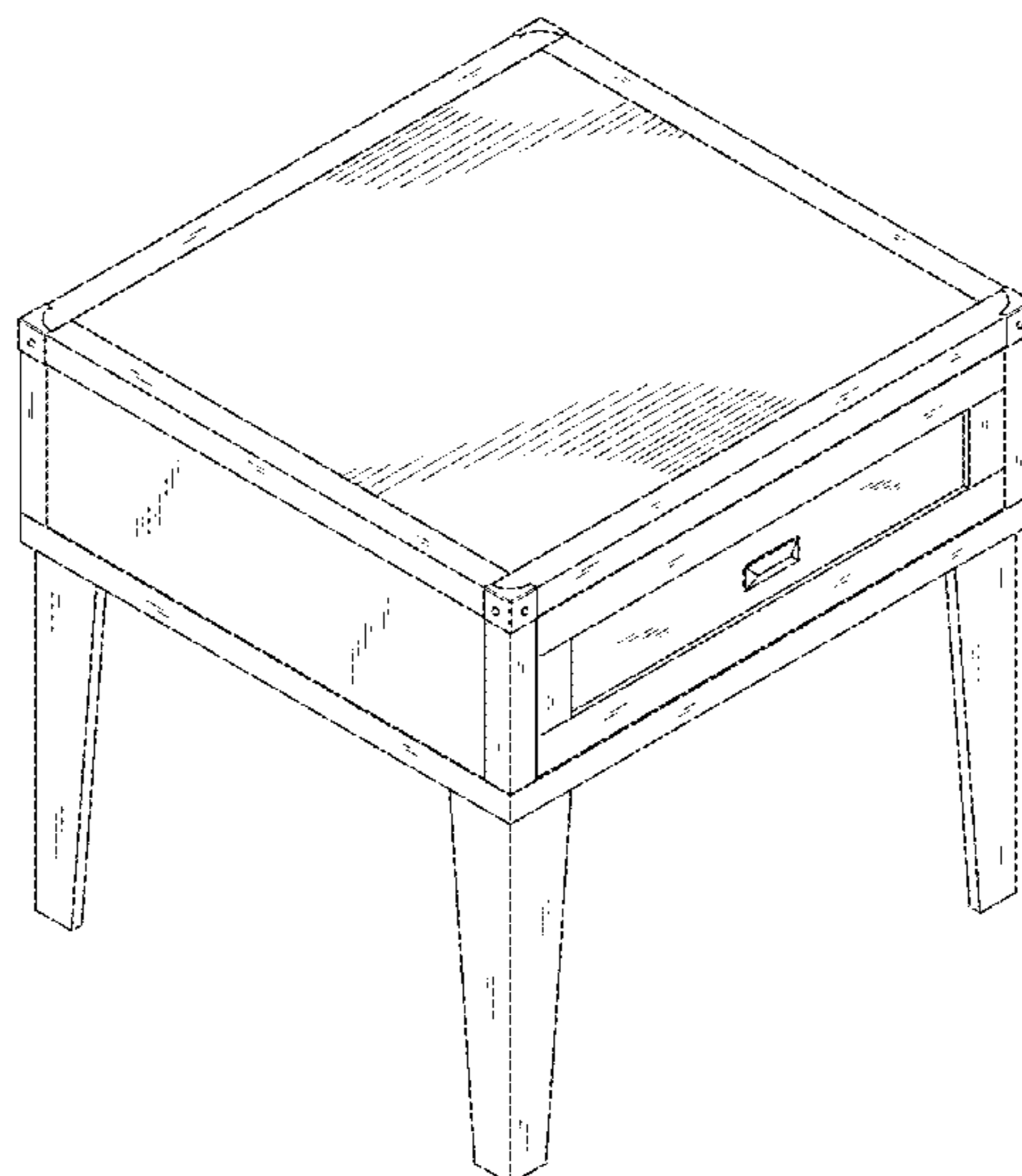
Abaco Cocktail Table—Steve Silver <https://stevesilver.com/product/abaco-cocktail-table/> retrieved from the internet on Sep. 28, 2022.*
(Continued)

Primary Examiner — Mary Ann Calabrese
(74) *Attorney, Agent, or Firm* — Tuggle Duggins P.A.;
Blake P. Hurt

(57) **CLAIM**
The ornamental design for an end table, as shown and described.

FIG. 1 is a top, front, left side perspective view of an end table showing my new design;
 FIG. 2 is a top plan view thereof;
 FIG. 3 is a bottom plan view thereof;
 FIG. 4 is a front elevational view thereof;
 FIG. 5 is a rear elevational view thereof;
 FIG. 6 is a right side elevational view thereof, the left side elevational view being a mirror image thereof;
 FIG. 7 is a front elevational view of an alternate embodiment of an end table shown with break lines, that being the only difference from the embodiment shown in FIGS. 1-6, it being understood that the right side elevational view of the alternate embodiment is the same as that of FIG. 6, the break lines symbolizing breaks in the width of the article in which the claimed design is embodied, the appearance of any portion of the article between the break lines forms no part of the claimed design;
 FIG. 8 is a top, front, left side perspective view of the alternate embodiment as shown in FIG. 7, the break lines symbolizing breaks in the width of the article in which the claimed design is embodied, the appearance of any portion of the article between the break lines forms no part of the claimed design;
 FIG. 9 is a top plan view of the alternate embodiment as shown in FIG. 7, the break lines symbolizing breaks in the width of the article in which the claimed design is embodied, the appearance of any portion of the article between the break lines forms no part of the claimed design;
 FIG. 10 is a bottom plan view of the alternate embodiment as shown in FIG. 7, the break lines symbolizing breaks in the width of the article in which the claimed design is embodied, the appearance of any portion of the article between the break lines forms no part of the claimed design; and,
 FIG. 11 is a rear elevational view of the alternate embodiment as shown in FIG. 7, the break lines symbolizing breaks in the width of the article in which the claimed design is embodied, the appearance of any portion of the article between the break lines forms no part of the claimed design.
 The portions of the end table shown in broken lines in FIGS. 3 and 10 form no part of the claimed design.

1 Claim, 11 Drawing Sheets



(58) **Field of Classification Search**

CPC .. A47B 7/00; A47B 9/00; A47B 13/00; A47B
13/02; A47B 13/0023; A47B 2013/024;
A47B 13/04; A47B 13/06; A47B 13/08;
A47B 13/10; A47B 13/12; A47B 21/00;
A47B 2200/0001; A47B 2200/011; A47B
2200/002

See application file for complete search history.

(56) **References Cited**

U.S. PATENT DOCUMENTS

D535,492	S	*	1/2007	Domack	D6/691.9
D721,907	S	*	2/2015	Boll-Wilson	D6/691.9
D721,909	S	*	2/2015	Huang	D6/691.9
D805,817	S	*	12/2017	Beckman	D6/691.1
D888,475	S	*	6/2020	Zorzi	D6/691

OTHER PUBLICATIONS

Kona Mango Coffee Table—Overstock <https://www.overstock.com/Home-Garden/Kona-Mango-Coffee-Table/9064827/product.html> retrieved from the internet on Sep. 28, 2022.*

Cayden Campaign Square Side Table—The World of RH <https://rh.com/catalog/product/product.jsp?productId=prod18940191> retrieved from the internet on Sep. 28, 2022.*

Mid-Century Side Table with Drawer—Pamono <https://www.pamono.com/mid-century-side-table-with-drawer> retrieved from the internet on Oct. 31, 2019.*

* cited by examiner

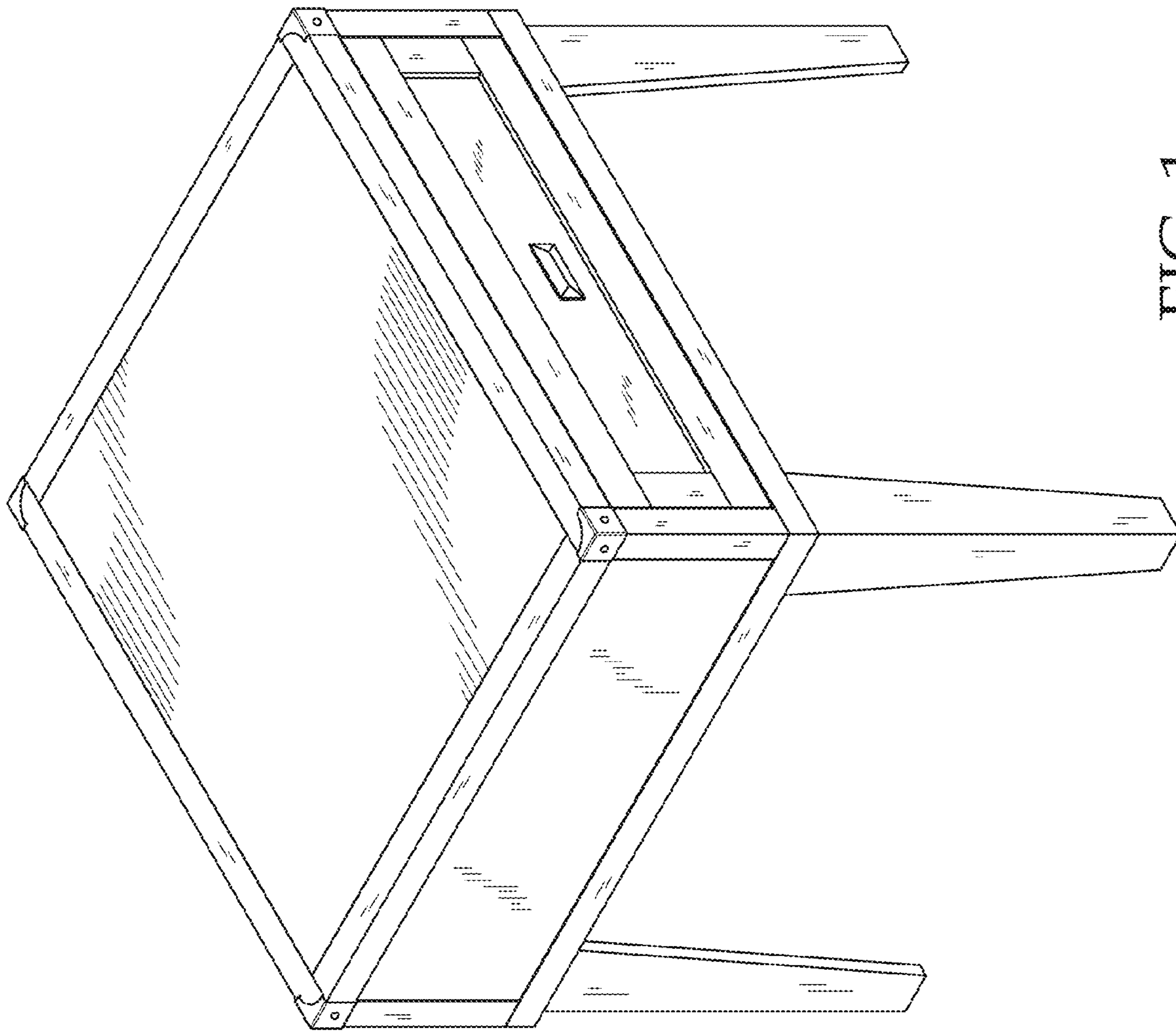


FIG. 1

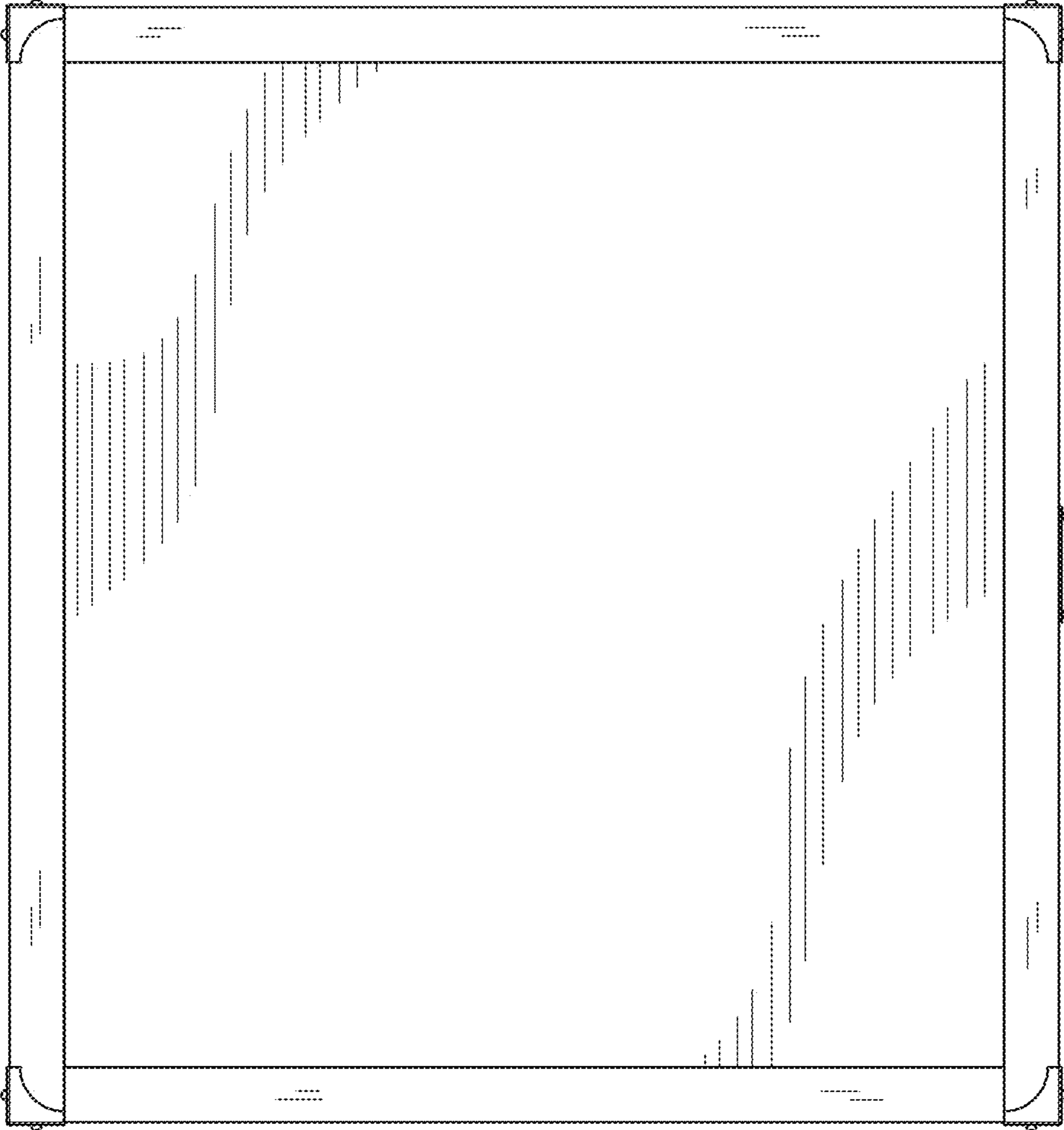


FIG. 2

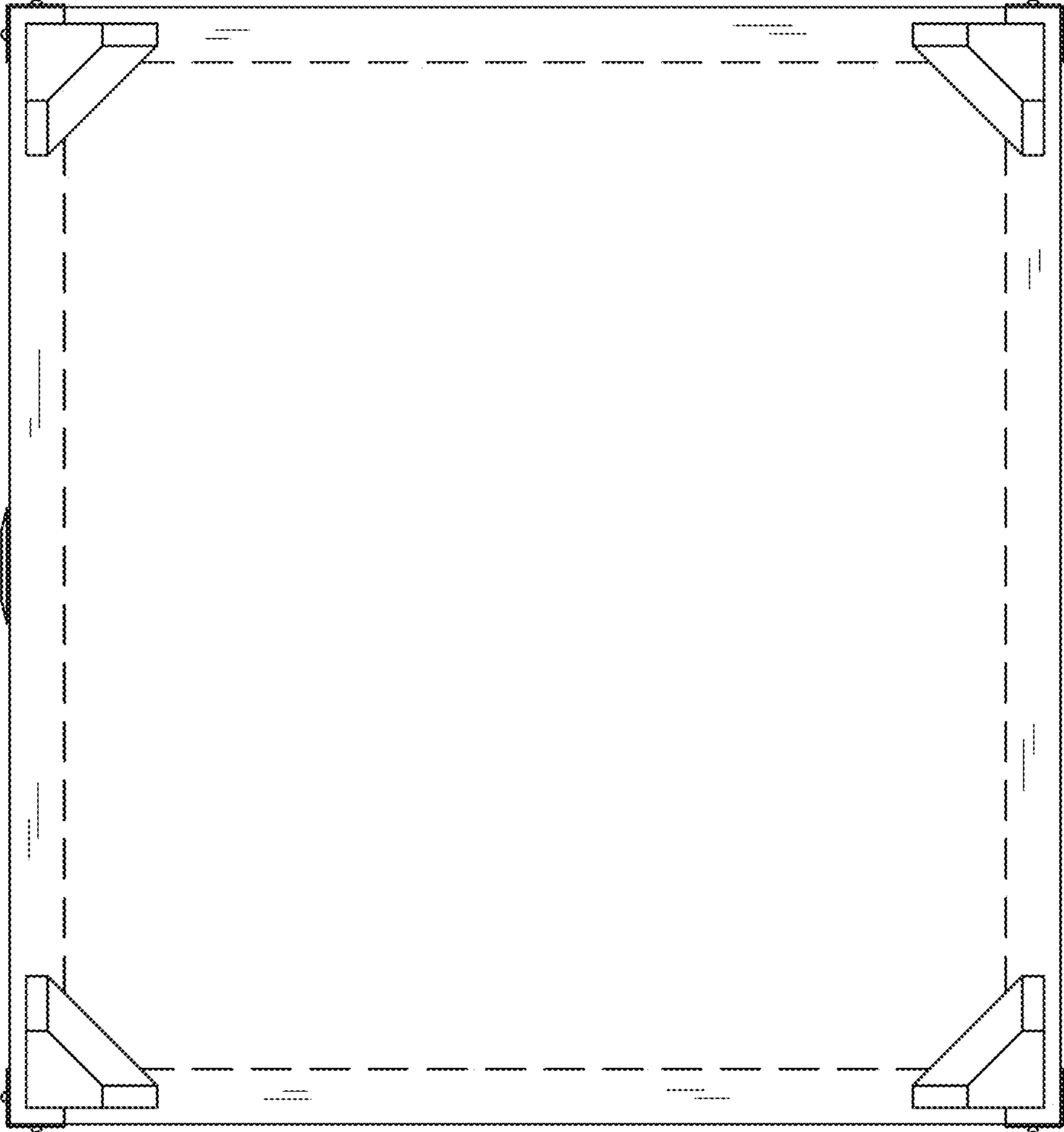


FIG. 3

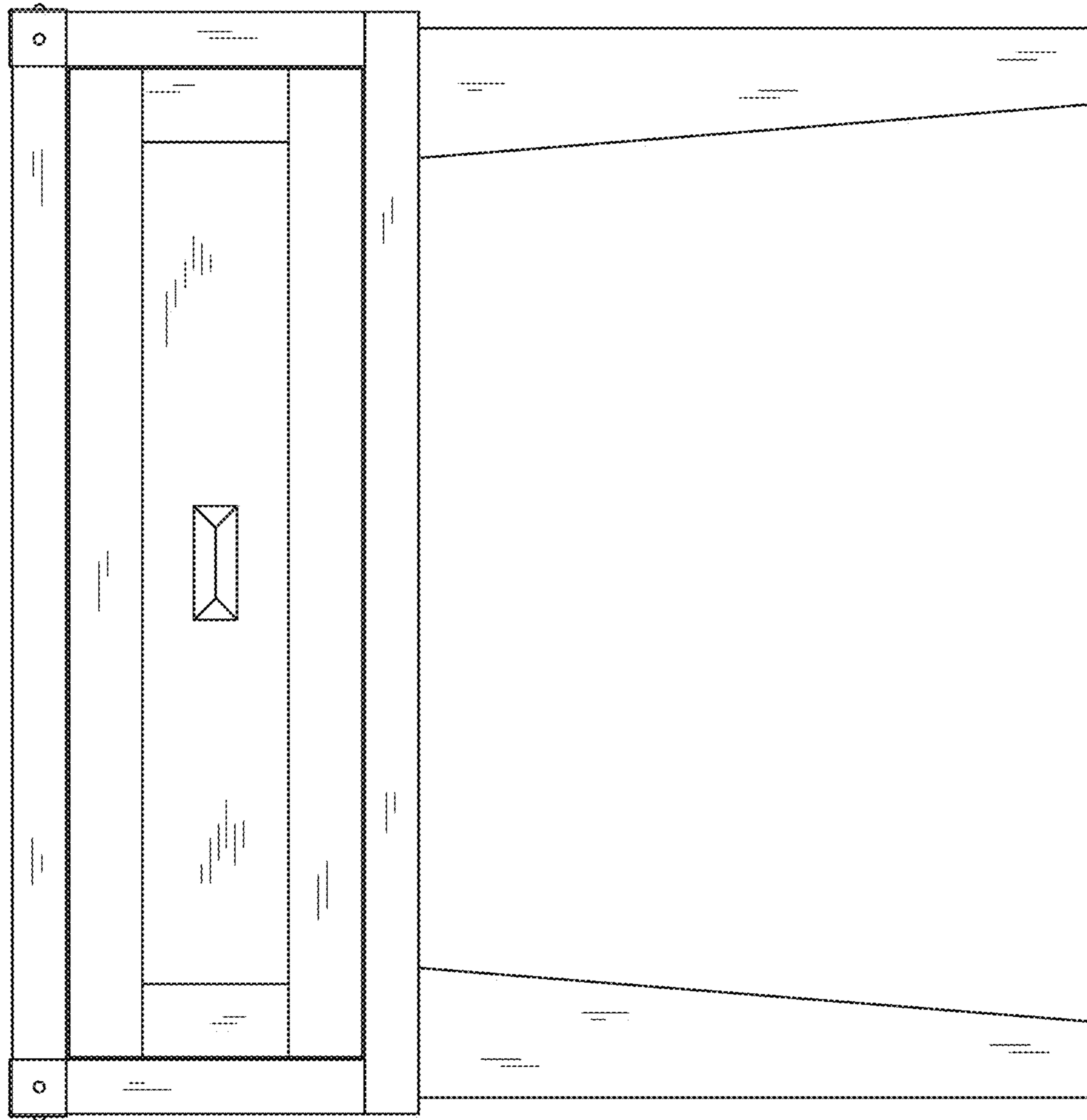


FIG. 4

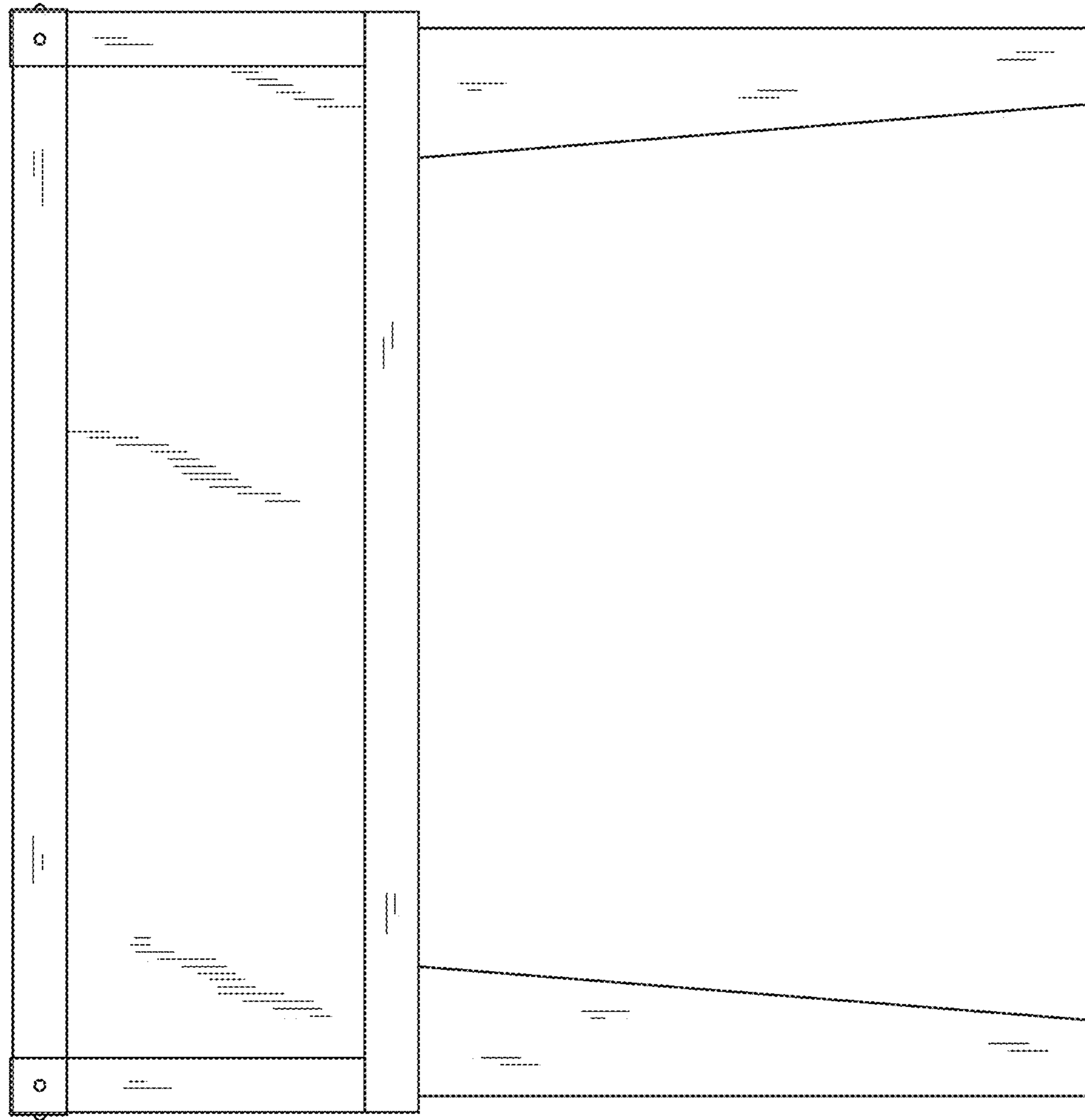


FIG. 5

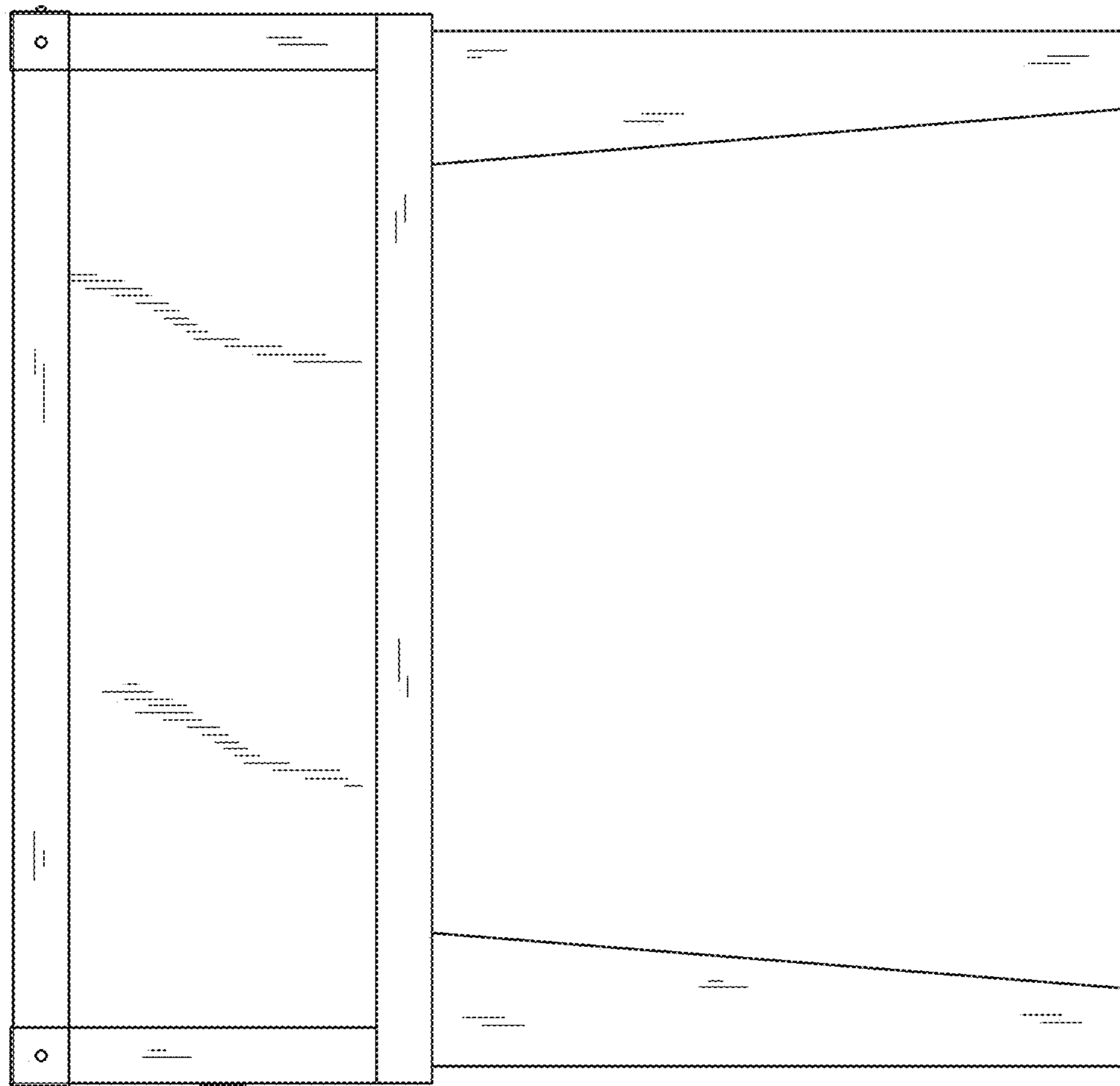


FIG. 6

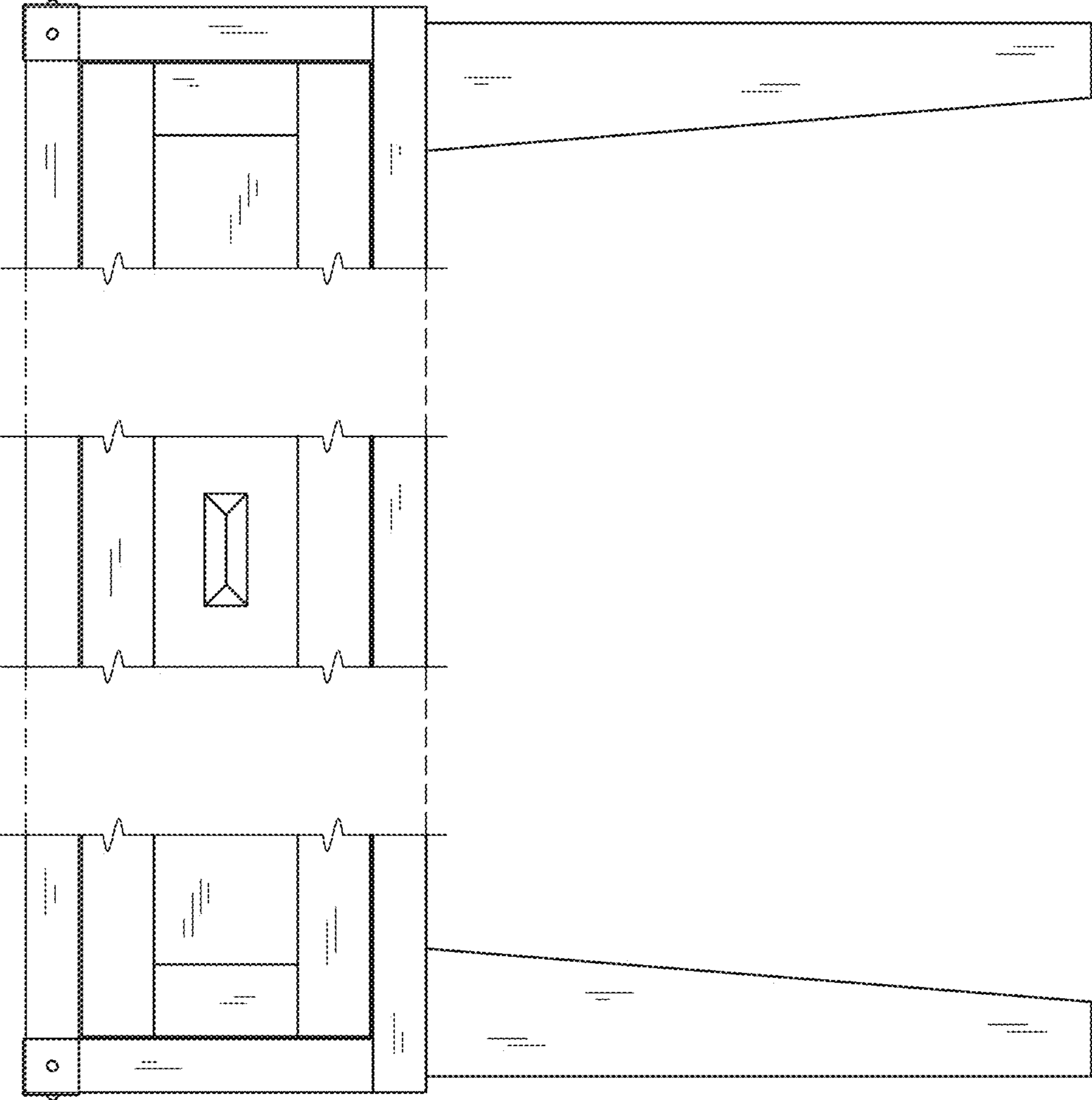


FIG. 7

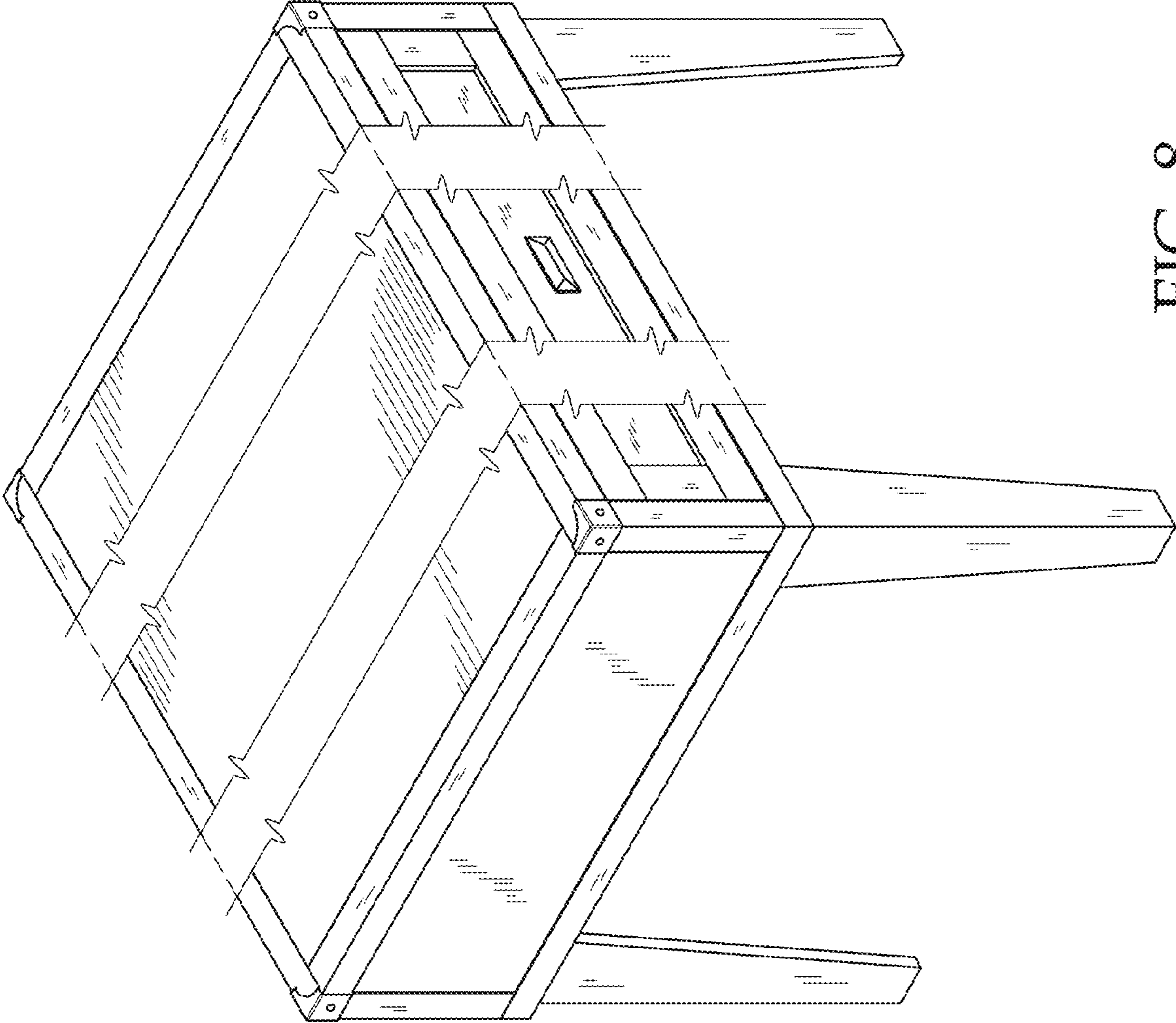


FIG. 8

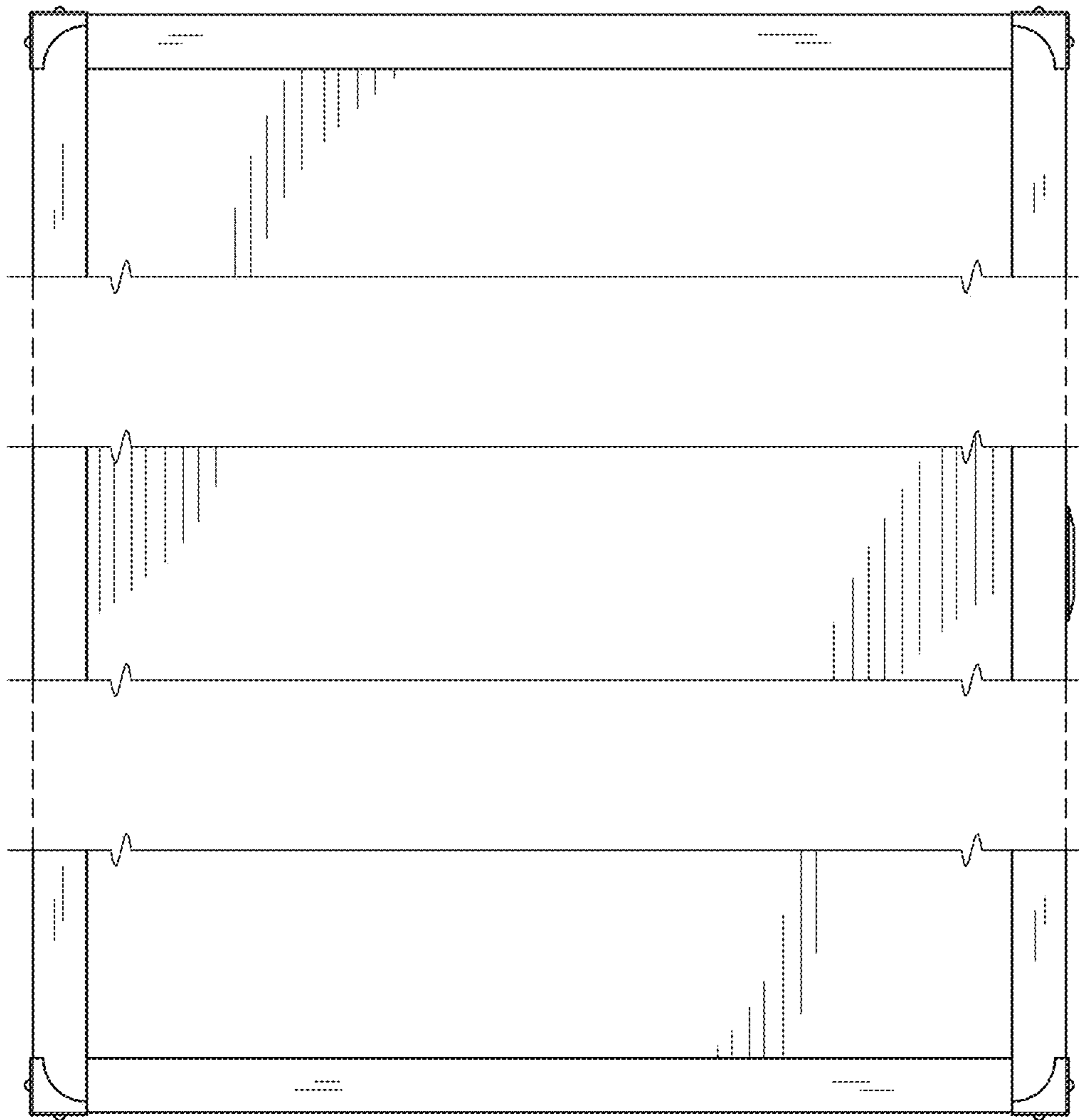


FIG. 9

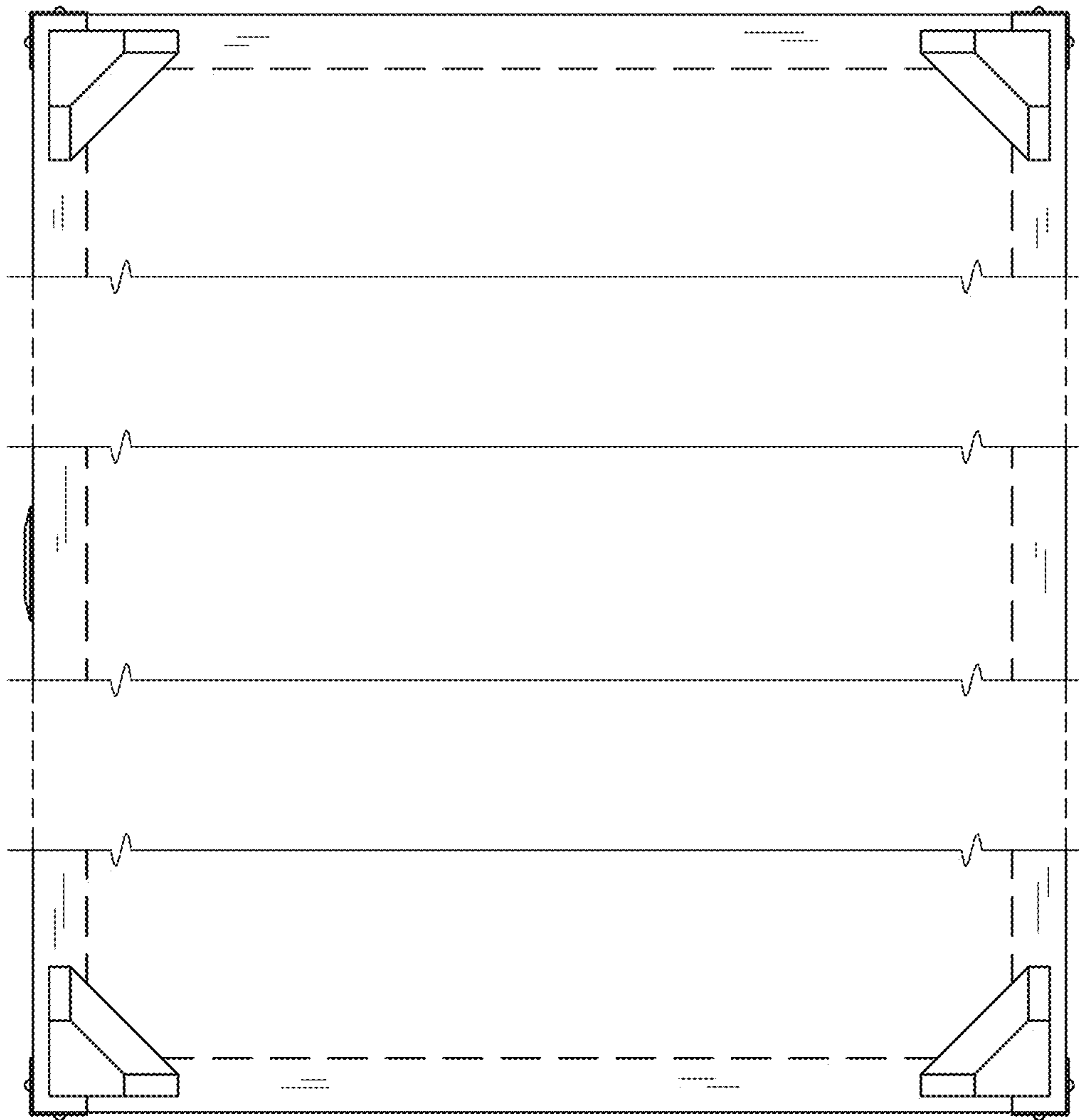


FIG. 10

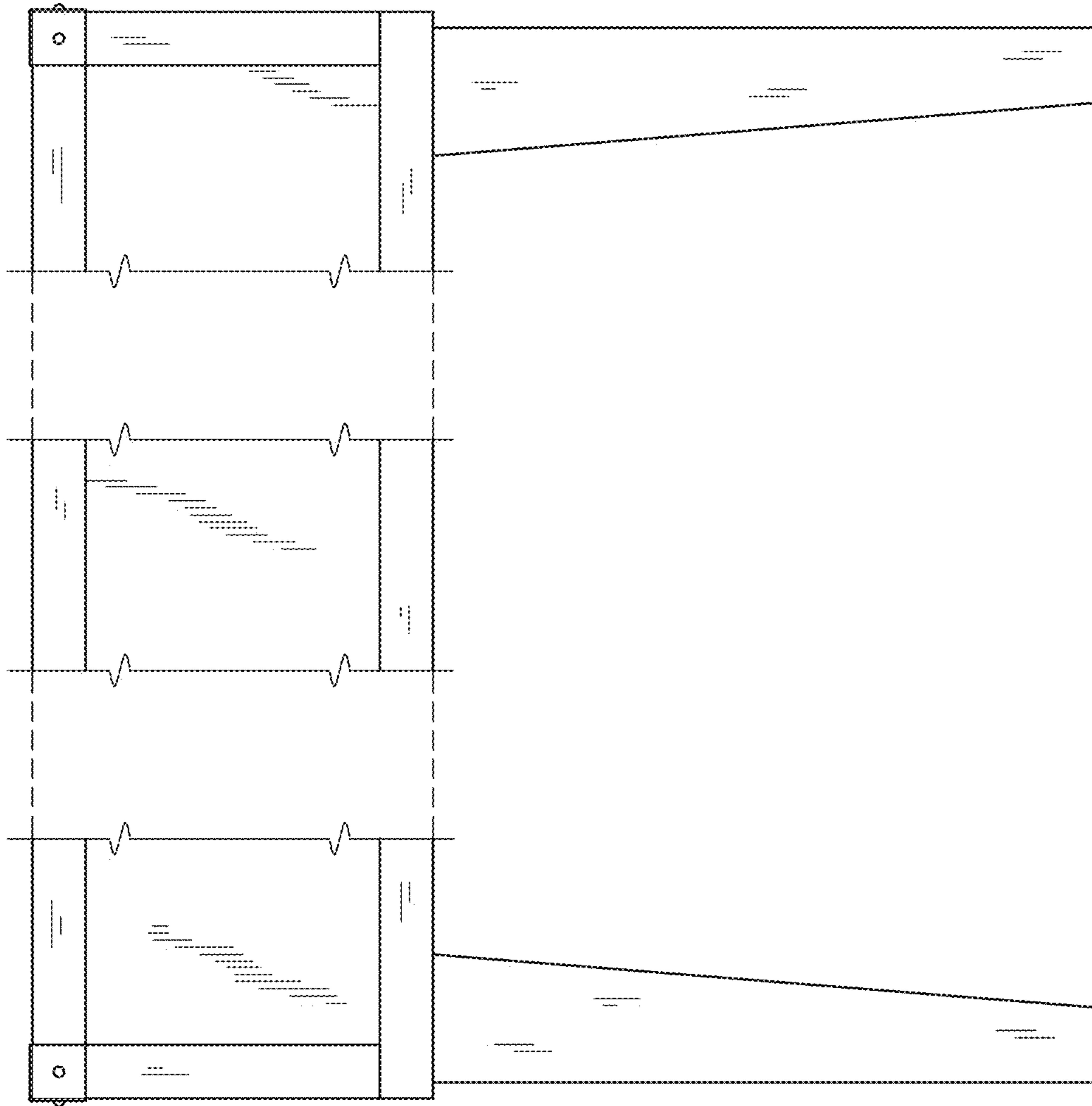


FIG.11