



US00D981154S

(12) **United States Design Patent**
Jiang

(10) **Patent No.:** **US D981,154 S**

(45) **Date of Patent:** **** Mar. 21, 2023**

(54) **WINE GLASS TABLE**

(71) Applicant: **Lei Jiang**, Shandong (CN)

(72) Inventor: **Lei Jiang**, Shandong (CN)

(**) Term: **15 Years**

(21) Appl. No.: **29/827,942**

(22) Filed: **Feb. 23, 2022**

(51) **LOC (14) Cl.** **06-03**

(52) **U.S. Cl.**
USPC **D6/691.1**

(58) **Field of Classification Search**
USPC D6/690, 691.1, 691.5, 691.6, 707.19,
D6/707.2
CPC .. A47B 3/12; A47B 3/06; A47B 37/04; A47B
13/16; A47B 2230/0085; A47B 3/10;
A47B 47/0075; A47B 47/042
See application file for complete search history.

(56) **References Cited**

U.S. PATENT DOCUMENTS

- 4,450,761 A * 5/1984 Bailey A23N 5/00
99/581
- D284,720 S 7/1986 Watson
- 5,644,995 A * 7/1997 Gurwell A47B 3/12
108/188
- 6,487,977 B1 * 12/2002 Williams E04H 12/2223
108/150
- D565,331 S * 4/2008 Miller D6/690
- D642,408 S * 8/2011 Pirkl D6/707.19
- D642,409 S * 8/2011 Pirkl D6/707.19
- D690,543 S * 10/2013 Meissner D6/690
- D690,970 S 10/2013 Boirun et al.
- 9,220,337 B1 * 12/2015 Wenzel A47B 3/12
- D747,618 S 1/2016 Berkowitz
- D765,232 S 8/2016 Horsfield
- D779,243 S 2/2017 Wenzel
- 9,622,571 B1 * 4/2017 Wassel A47B 13/023

- D831,444 S * 10/2018 Gu D7/701
- 10,278,490 B1 * 5/2019 Magaña A47B 13/04
- D856,051 S * 8/2019 Seniff D6/691.5
- D858,151 S 9/2019 Li
- D858,160 S 9/2019 Flores
- D871,811 S 1/2020 Xu
- D911,759 S * 3/2021 Repp D6/707.19
- D923,414 S * 6/2021 Luciano D7/553.4
- D966,019 S * 10/2022 Song D6/686
- 2003/0188673 A1 * 10/2003 Block A47B 13/023
108/150
- 2008/0264822 A1 * 10/2008 Faiola A47G 23/0641
206/557

(Continued)

OTHER PUBLICATIONS

“STBoo Outdoor Portable Wine Table.” Found online Aug. 26, 2022 at www.amazon.com. Product first available Dec. 22, 2021. Retrieved from URL: <https://www.amazon.com/STBoo-Outdoor-Portable-Lightweight-Concerts/dp/B09NZBDNJT> (Year: 2021).*

(Continued)

Primary Examiner — Mary Ann Calabrese
Assistant Examiner — Katelin G Kloberg

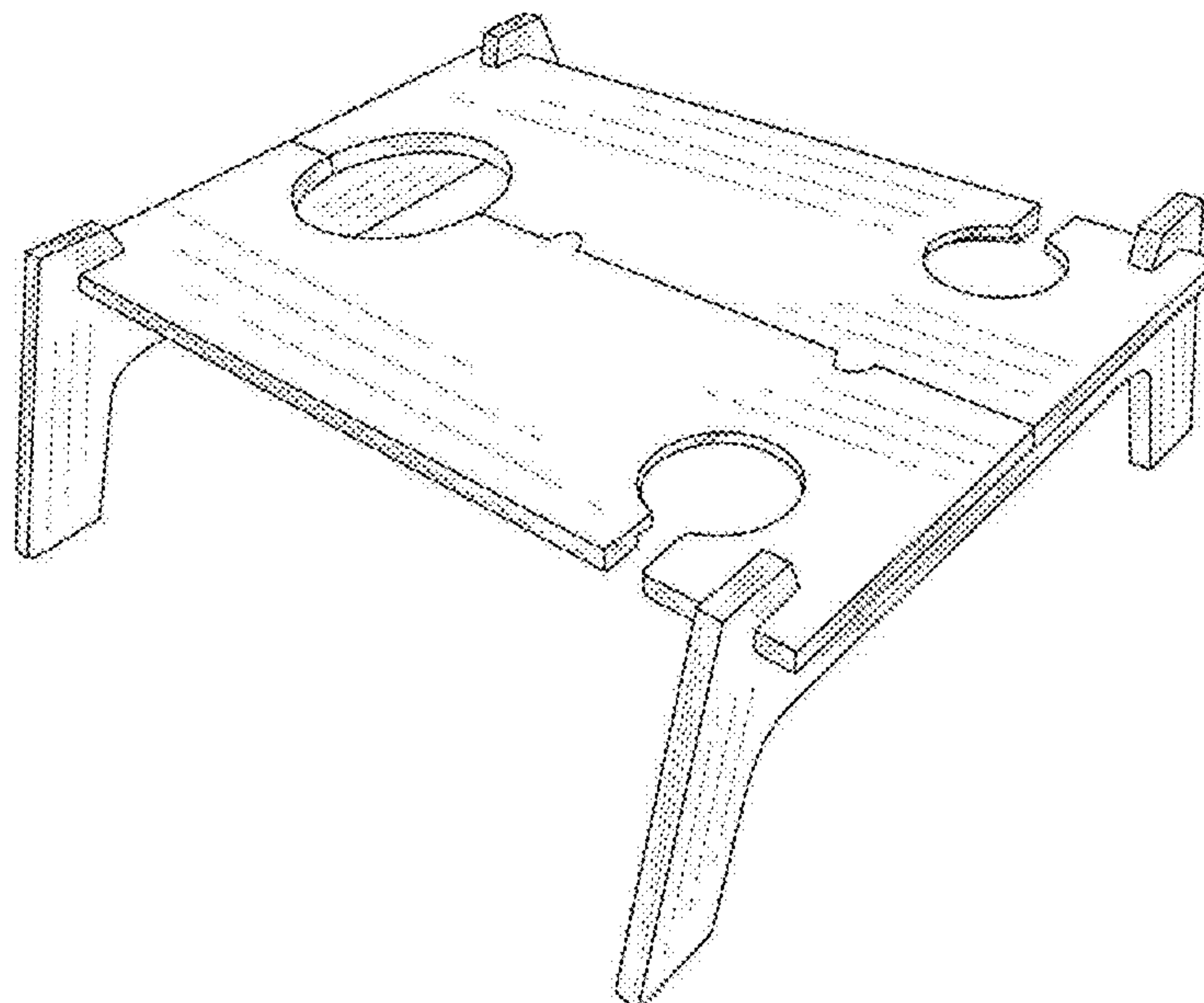
(57) **CLAIM**

The ornamental design for a wine glass table, as shown and described.

DESCRIPTION

FIG. 1 is a perspective view of a wine glass table design showing my new design.
FIG. 2 is a front view of a wine glass table.
FIG. 3 is a rear view of a wine glass table.
FIG. 4 is a left side view of a wine glass table.
FIG. 5 is a right side view of a wine glass table.
FIG. 6 is a top view of a wine glass table; and,
FIG. 7 is a bottom view of a wine glass table.

1 Claim, 7 Drawing Sheets



(56)

References Cited

U.S. PATENT DOCUMENTS

2016/0183676 A1* 6/2016 Limyansky A47B 37/04
108/25
2017/0042321 A1* 2/2017 Clause A47B 13/003
2017/0325586 A1* 11/2017 Balk F16B 2/08
2018/0271273 A1* 9/2018 Miller A47B 13/003
2019/0246787 A1* 8/2019 Flores A45F 3/44

OTHER PUBLICATIONS

“Personalised Portable Picnic Table Wine Holder.” Found online Aug. 26, 2022 at www.notonthehighstreet.com. Product reviewed Jun. 28, 2021. Retrieved from URL: <https://www.notonthehighstreet.com/mijmoj/product/personalised-picnic-table> (Year: 2021).*

“Personalised Portable Outdoor Wooden Picnic Table.” Found online Aug. 26, 2022 at www.etsy.com. Product reviewed Jul. 3, 2021. Retrieved from URL: <https://www.etsy.com/listing/1037624111/personalised-portable-outdoor-wooden> (Year: 2021).*

* cited by examiner

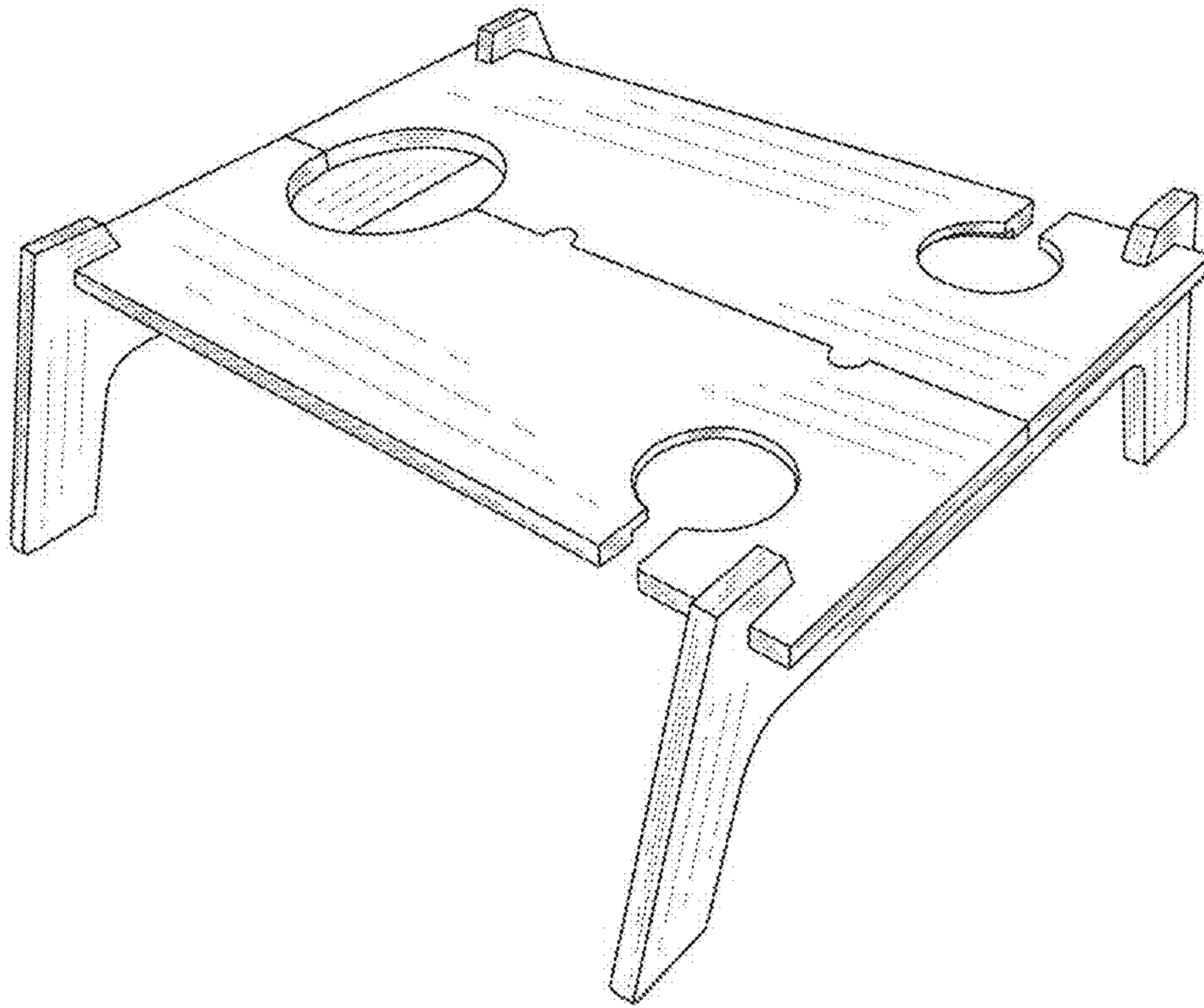


FIG. 1

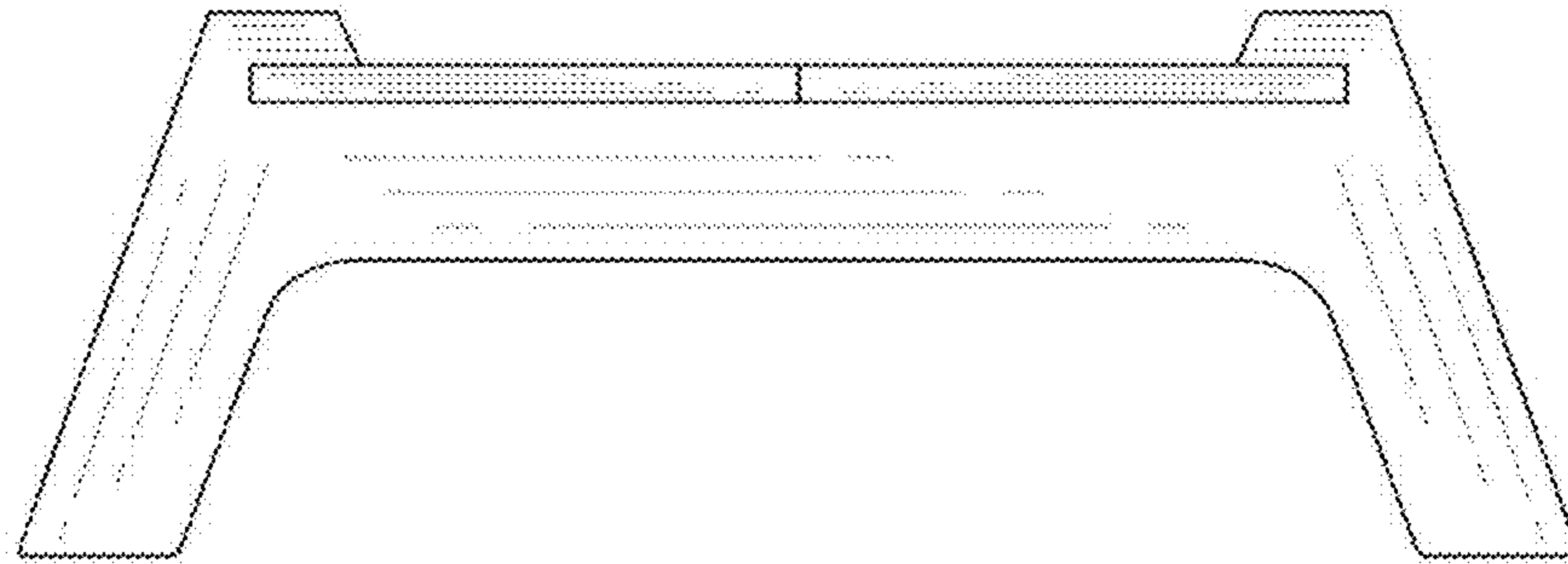


FIG. 2

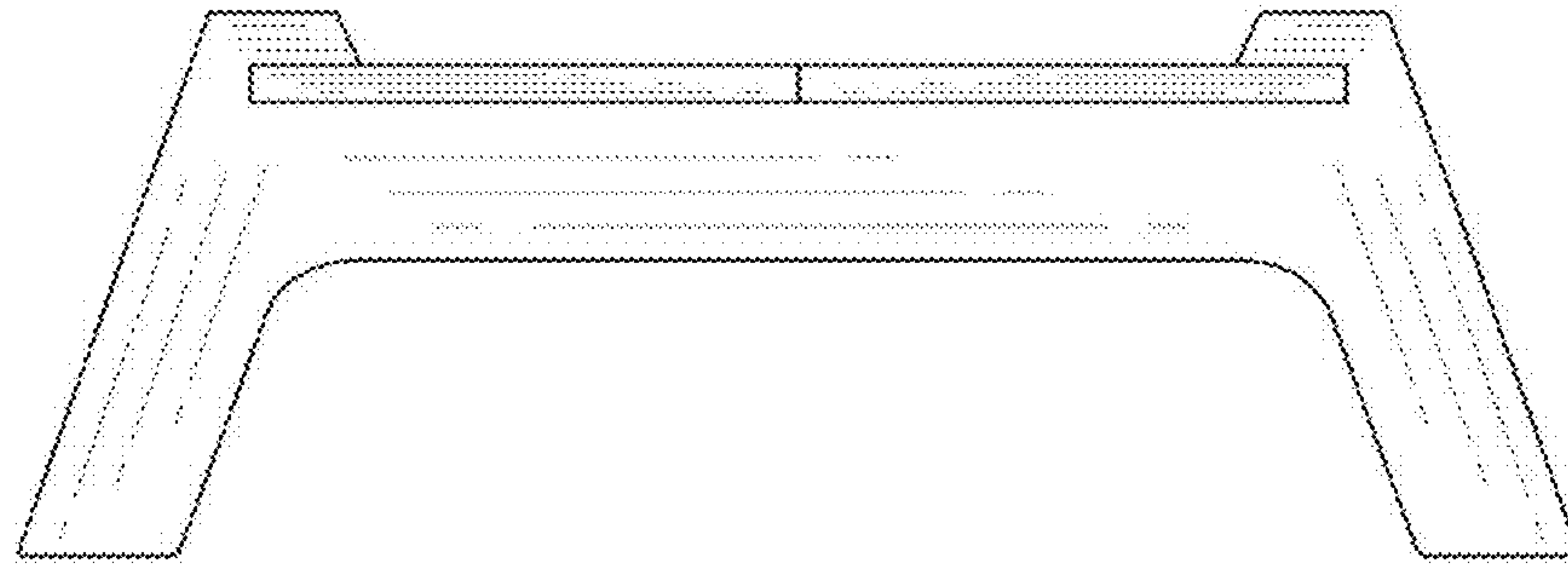


FIG. 3

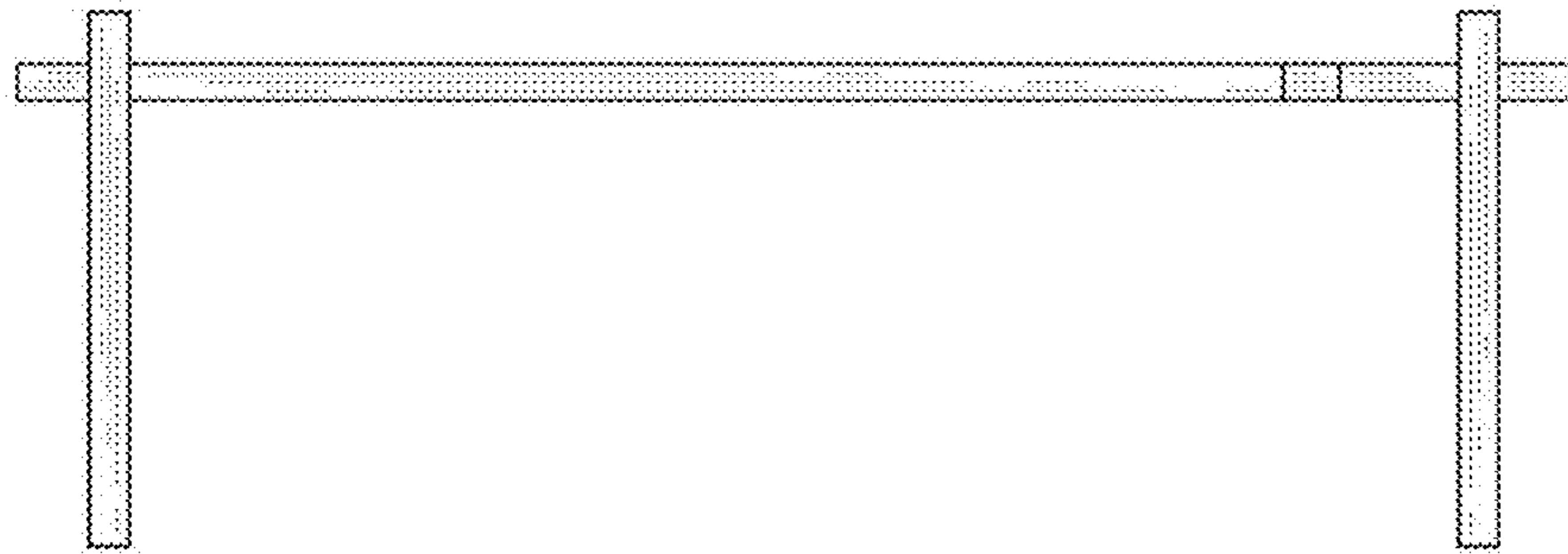


FIG. 4

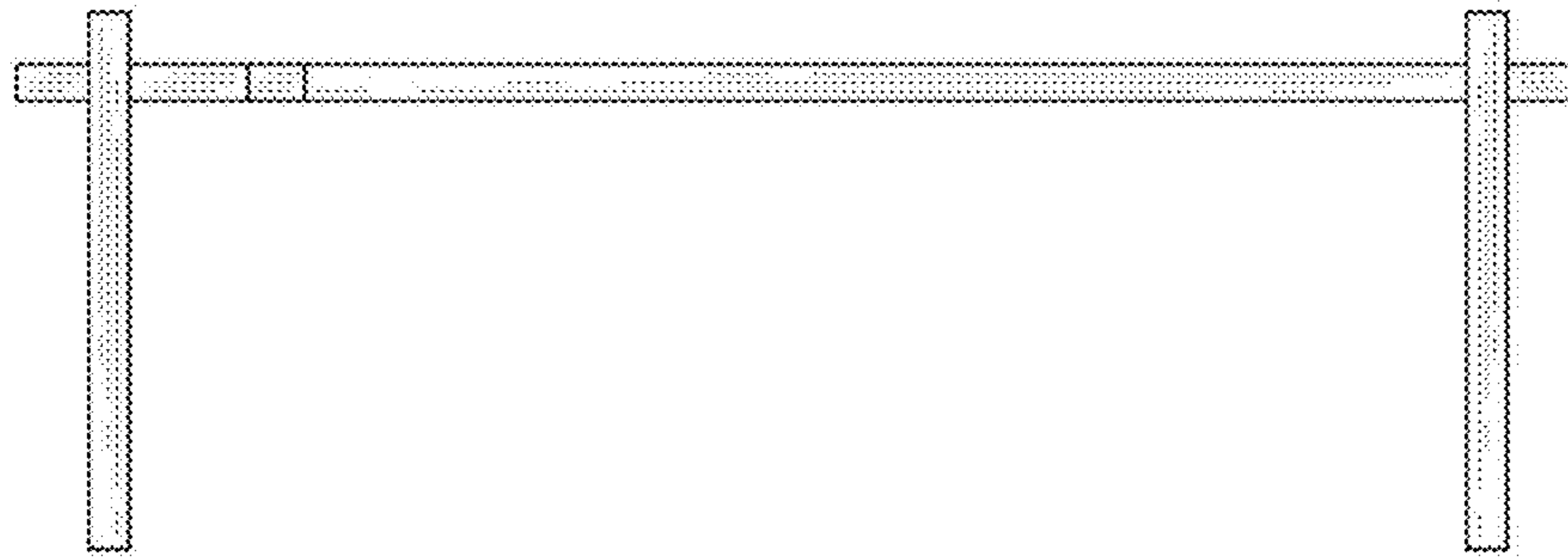


FIG. 5

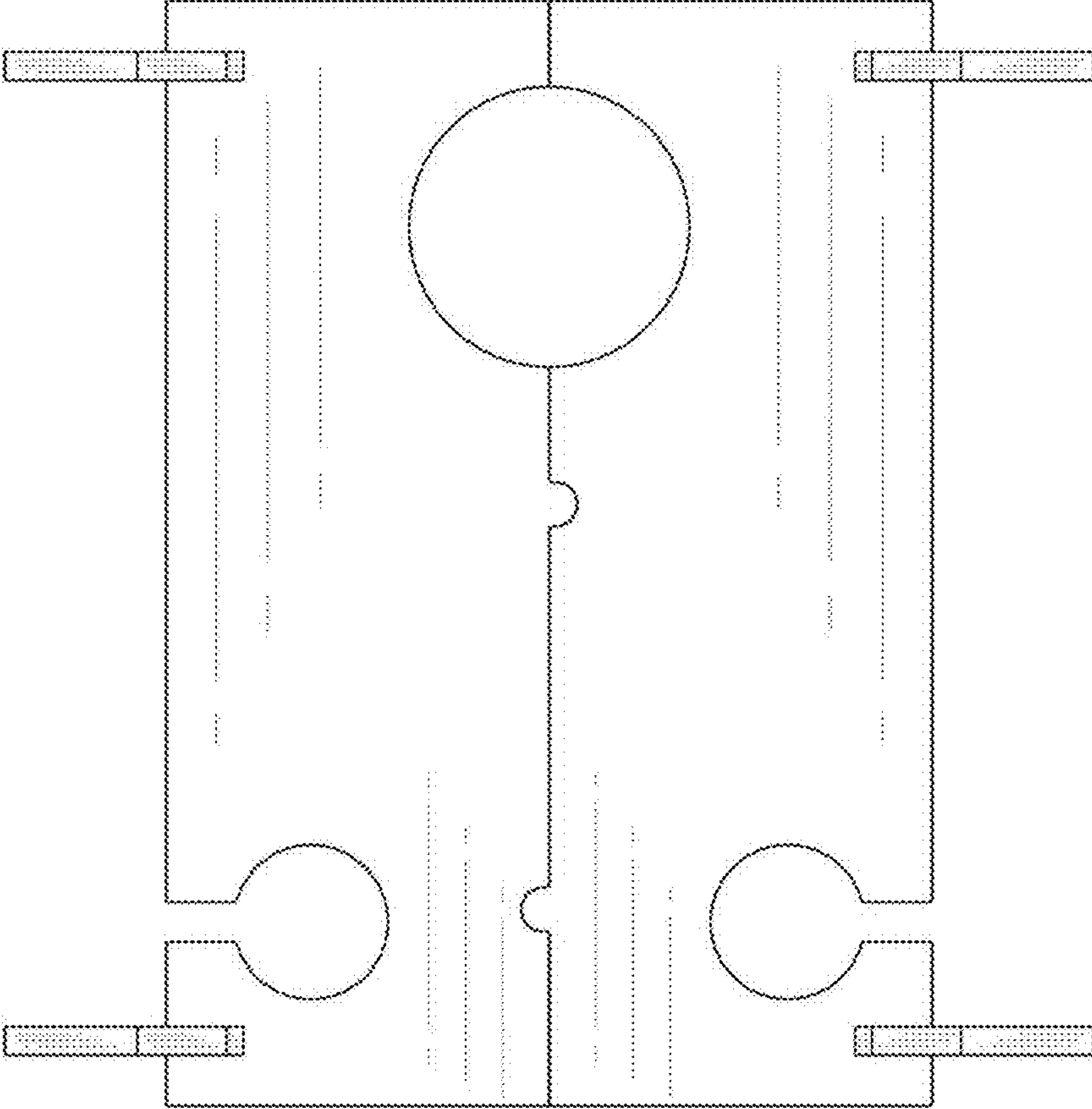


FIG. 6

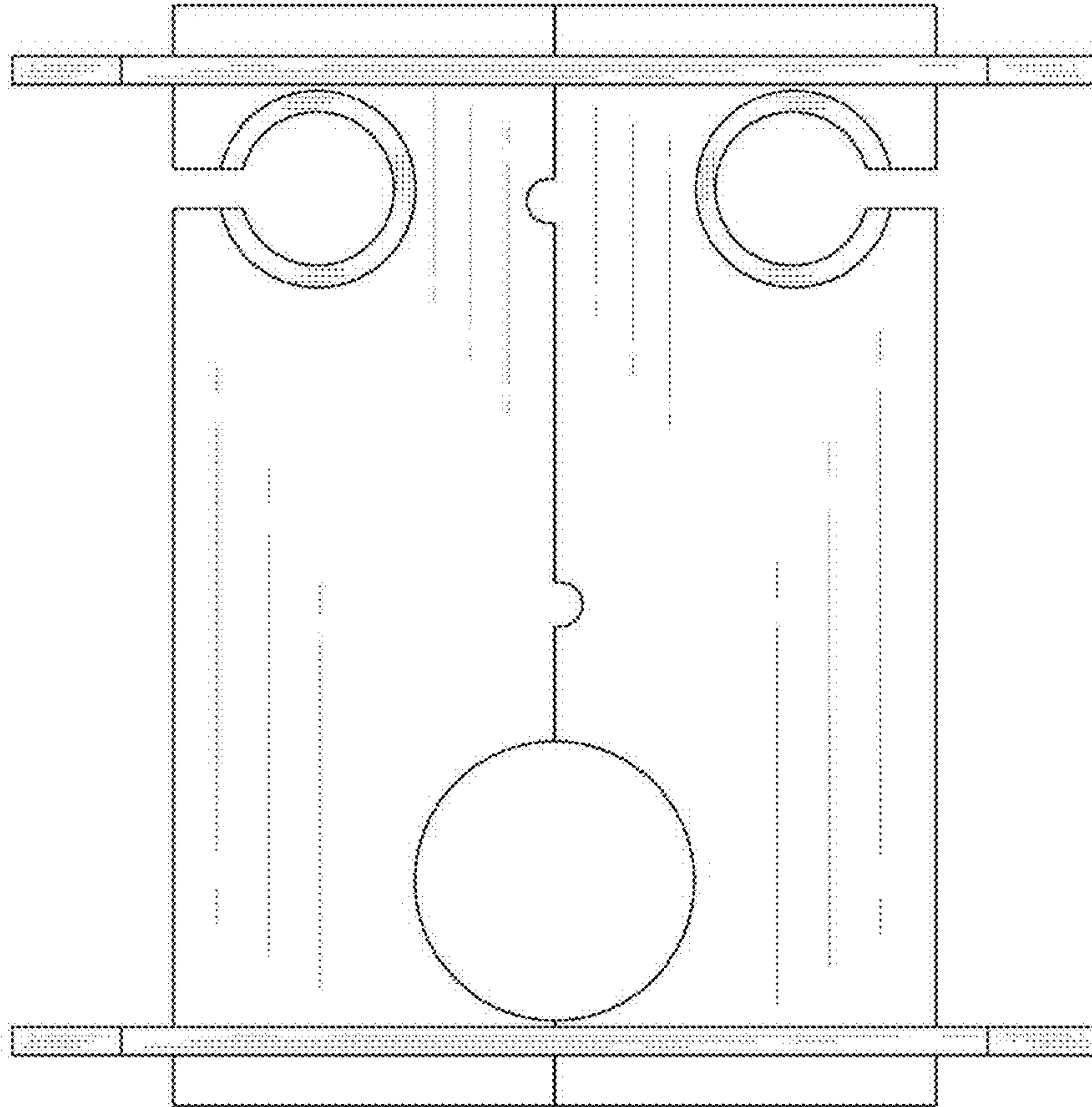


FIG. 7