



US00D981153S

(12) **United States Design Patent**
Gilbert

(10) **Patent No.:** **US D981,153 S**
(45) **Date of Patent:** **** Mar. 21, 2023**

(54) **COFFEE TABLE**

- (71) Applicant: **AUSTIN GROUP FURNITURE, LLC**, Greensboro, NC (US)
- (72) Inventor: **Joseph Gilbert**, Greensboro, NC (US)
- (73) Assignee: **Austin Group Furniture, LLC**, Greensboro, NC (US)
- (**) Term: **15 Years**

(21) Appl. No.: **29/753,827**

(22) Filed: **Oct. 2, 2020**

(51) **LOC (14) Cl.** **06-03**

(52) **U.S. Cl.**
USPC **D6/691.1**

(58) **Field of Classification Search**
USPC D6/657, 671, 671.1, 685, 686, 691, D6/691.1-691.9
CPC .. A47B 7/00; A47B 9/00; A47B 13/00; A47B 13/02; A47B 13/0023; A47B 2013/024; A47B 13/04; A47B 13/06; A47B 13/08; A47B 13/10; A47B 13/12; A47B 21/00; A47B 2200/0001; A47B 2200/011; A47B 2200/002

See application file for complete search history.

(56) **References Cited**

U.S. PATENT DOCUMENTS

D113,318 S	*	2/1939	Barnett	D16/230
D209,404 S	*	11/1967	Pearlman	D6/686
D414,057 S	*	9/1999	Walters, III	D6/691.1
D721,908 S	*	2/2015	Hughes	D6/691.9
D752,905 S	*	4/2016	Healy	D6/657
D823,621 S	*	7/2018	Everson	D6/657
D888,475 S	*	6/2020	Zorzi	D6/691

OTHER PUBLICATIONS

- Abaco Cocktail Table—Steve Silver <https://stevesilver.com/product/abaco-cocktail-table/> retrieved from the internet on Sep. 28, 2022.*
- Dorrinson Coffee Table with Lift Top—Ashley https://www.ashleyfurniture.com/p/dorrinson_coffee_table_with_lift_top/T287-9.html retrieved from the internet on Sep. 28, 2022.*
- Kona Mango Coffee Table—Overstock <https://www.overstock.com/Home-Garden/Kona-Mango-Coffee-Table/9064827/product.html> retrieved from the internet on Sep. 28, 2022.*
- Cayden Campaign Coffee Table—The World of RH <https://rh.com/catalog/product/product.jsp?productId=prod18940195> retrieved from the internet on Sep. 28, 2022.*

* cited by examiner

Primary Examiner — Mary Ann Calabrese

(74) *Attorney, Agent, or Firm* — Tuggle Duggins P.A.; Blake P. Hurt

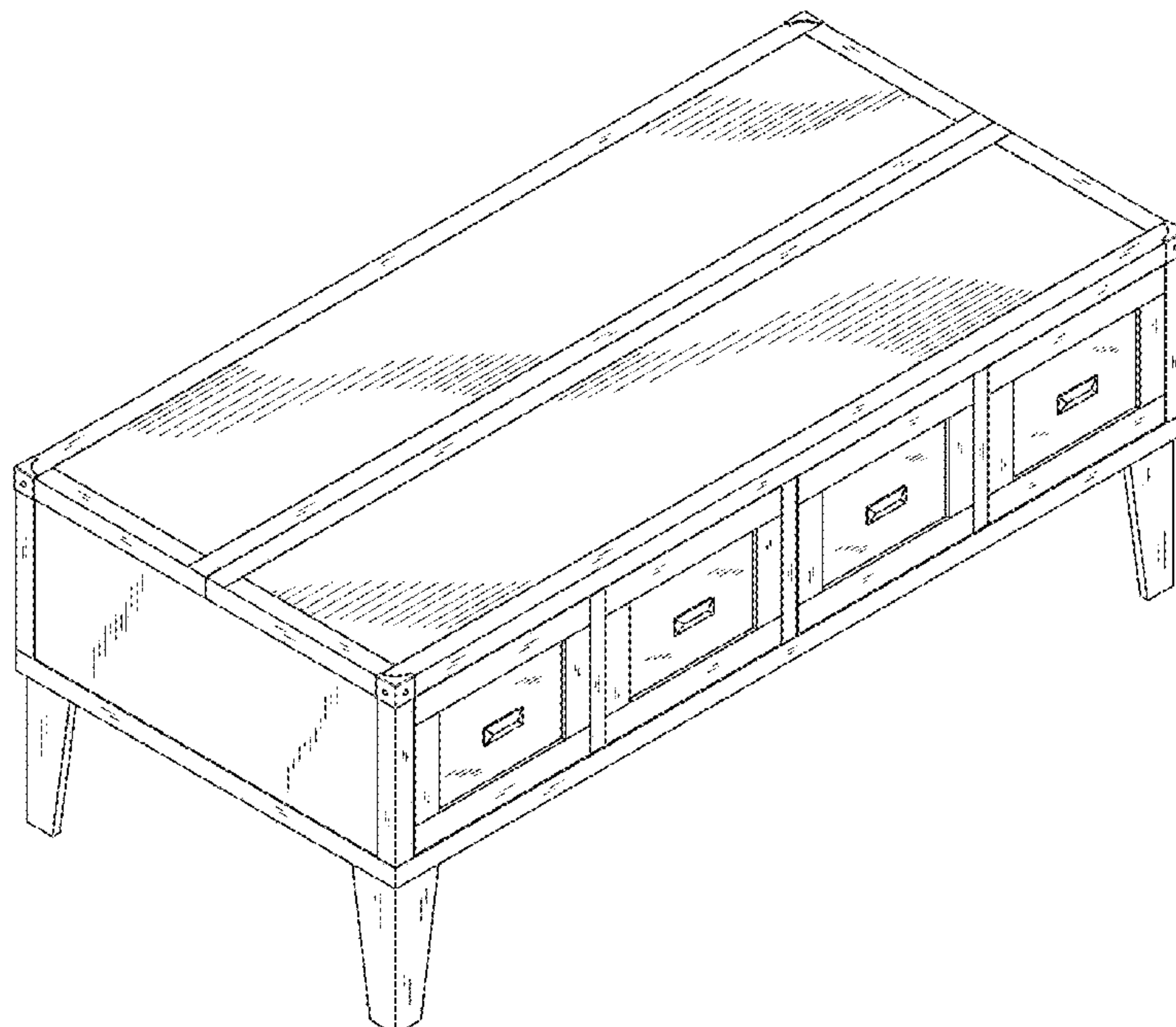
(57) **CLAIM**

The ornamental design for a coffee table, as shown and described.

DESCRIPTION

FIG. 1 is a top, front, left side perspective view of a coffee table showing my new design;
FIG. 2 is a top plan view thereof;
FIG. 3 is a bottom plan view thereof;
FIG. 4 is a front elevational view thereof, the rear elevational view being a mirror image thereof; and,
FIG. 5 is a right side elevational view thereof, the left side elevational view being a mirror image thereof.
The portions of the coffee table shown in broken lines form no part of the claimed design.

1 Claim, 5 Drawing Sheets



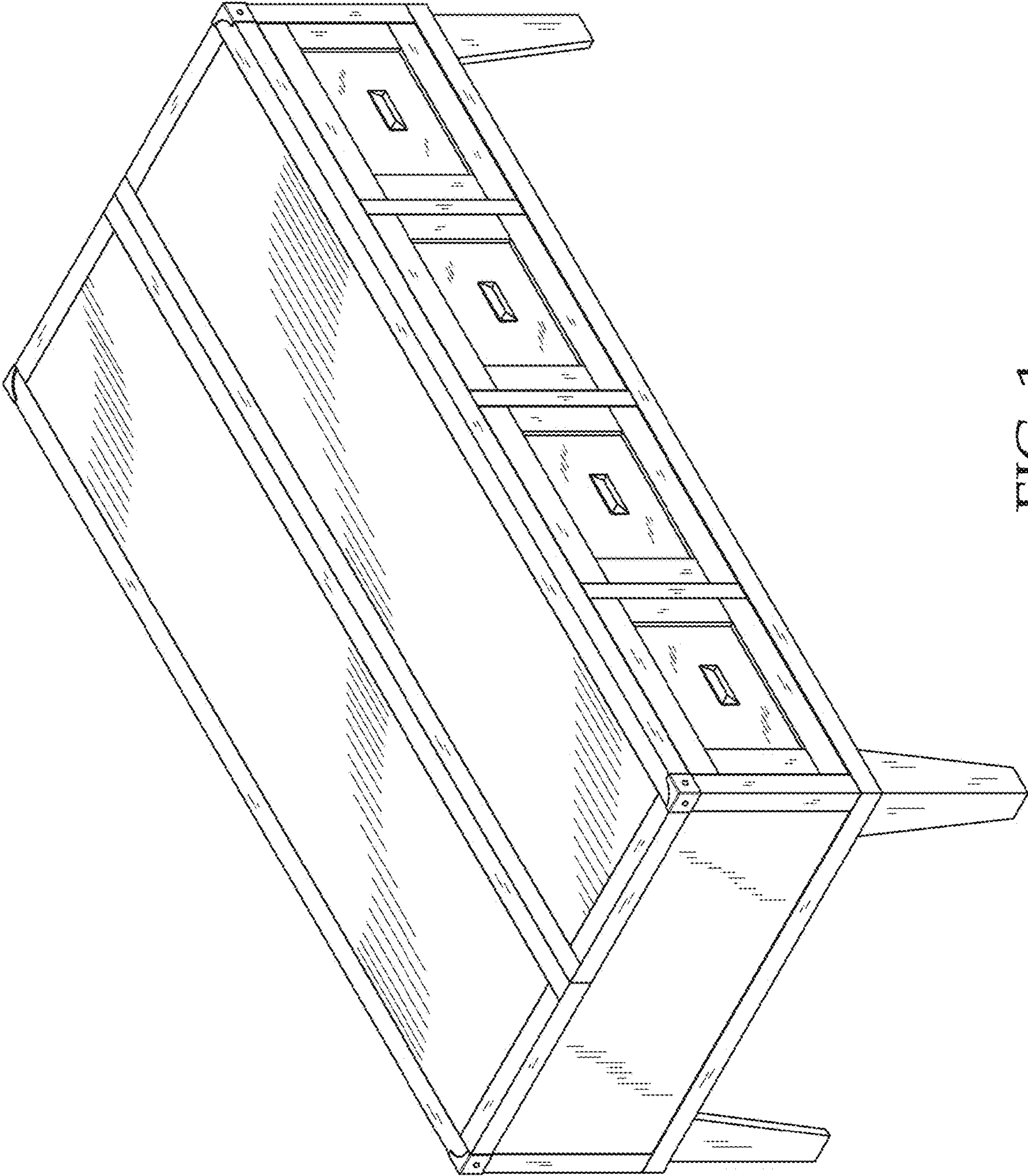


FIG. 1

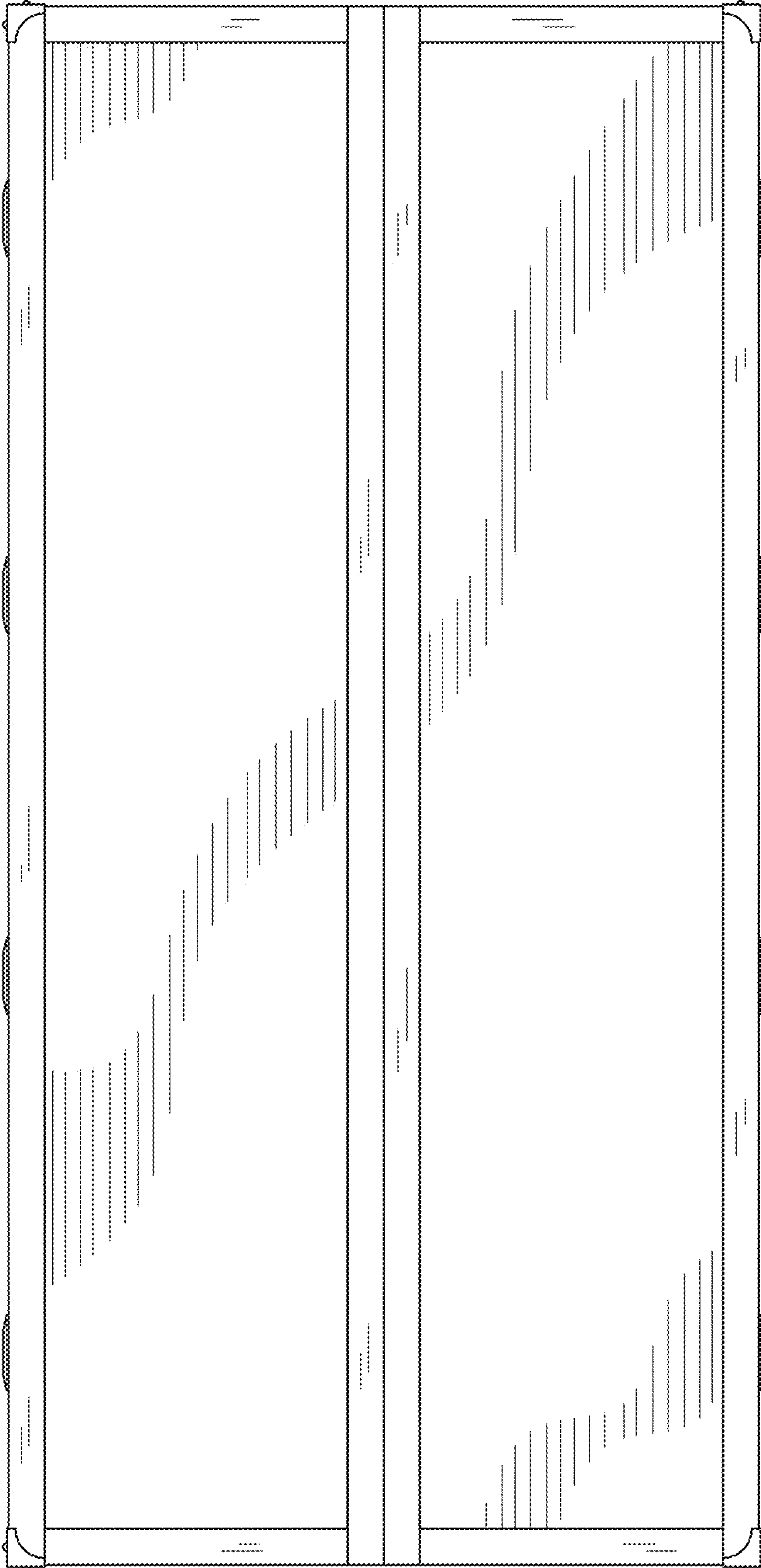


FIG. 2

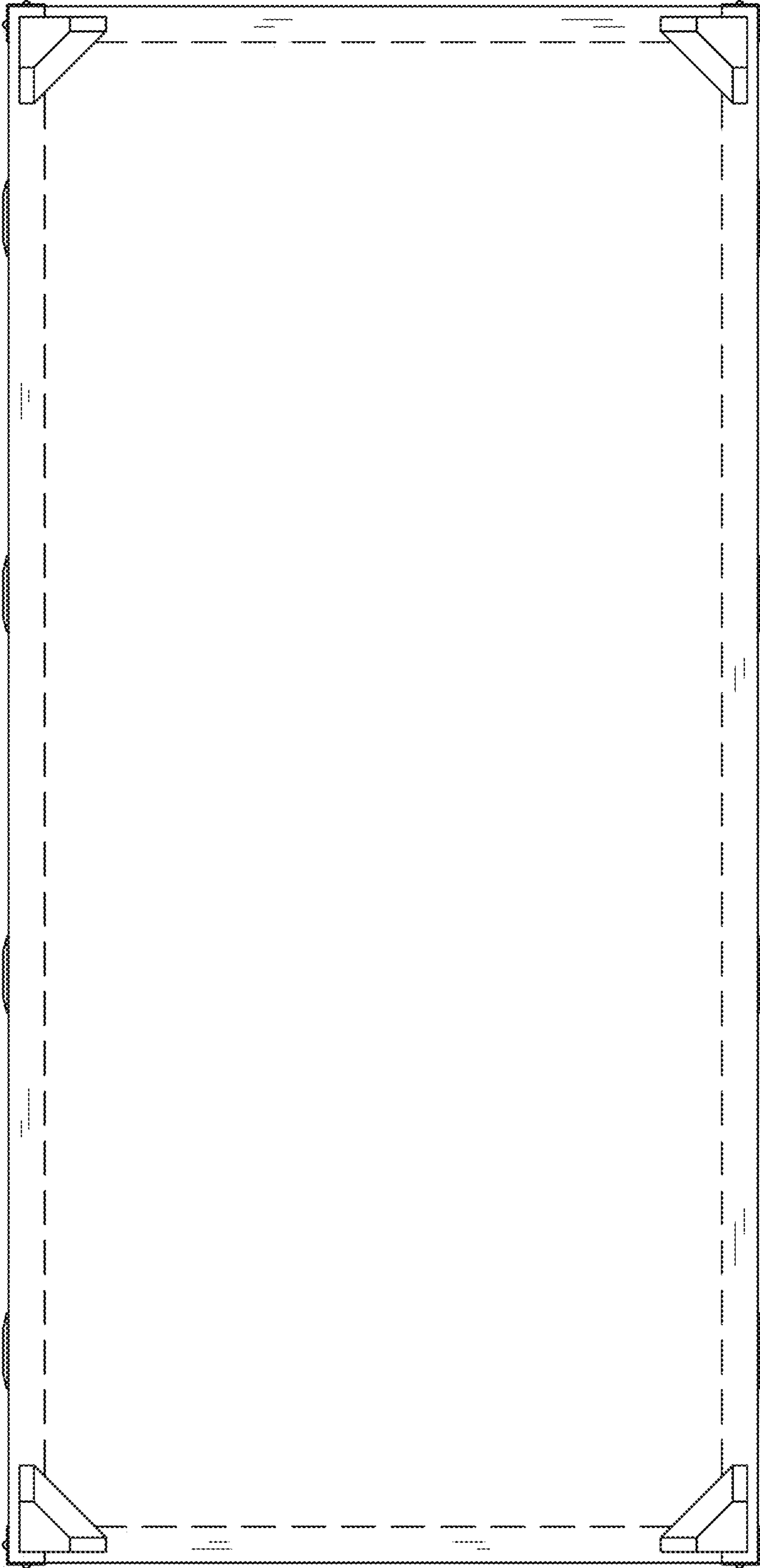


FIG. 3

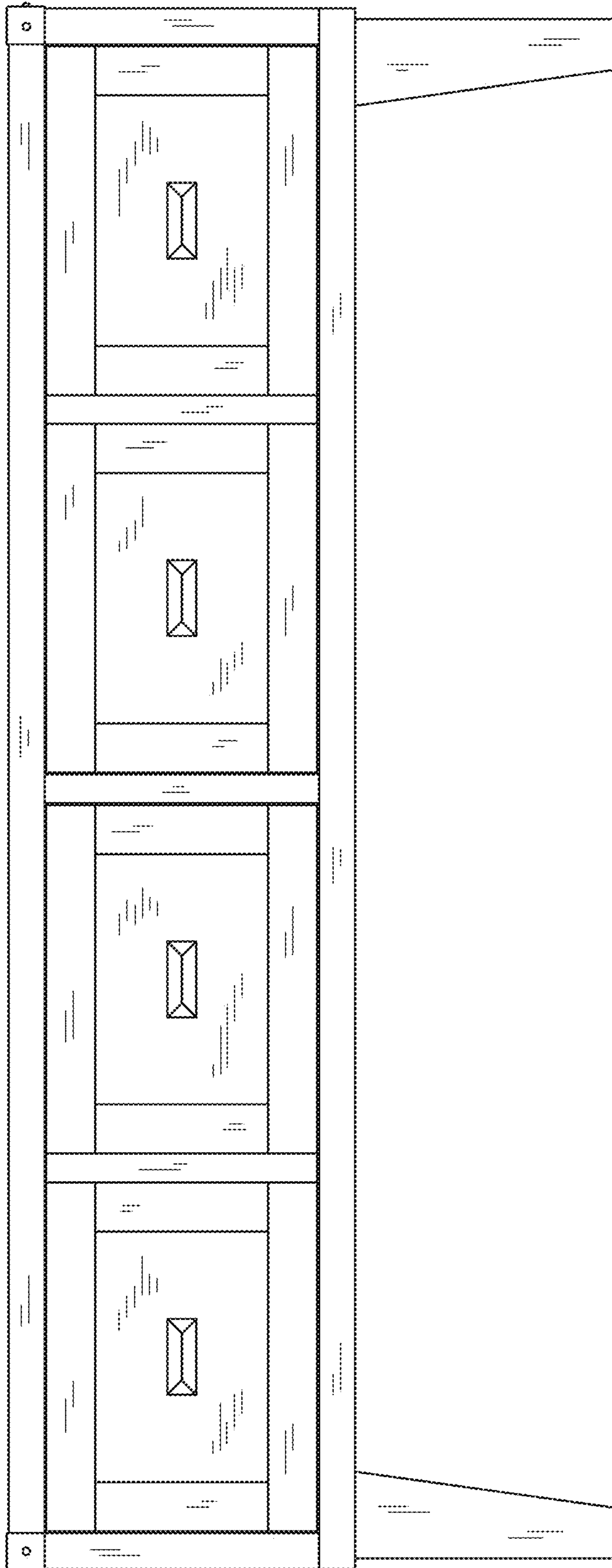


FIG. 4

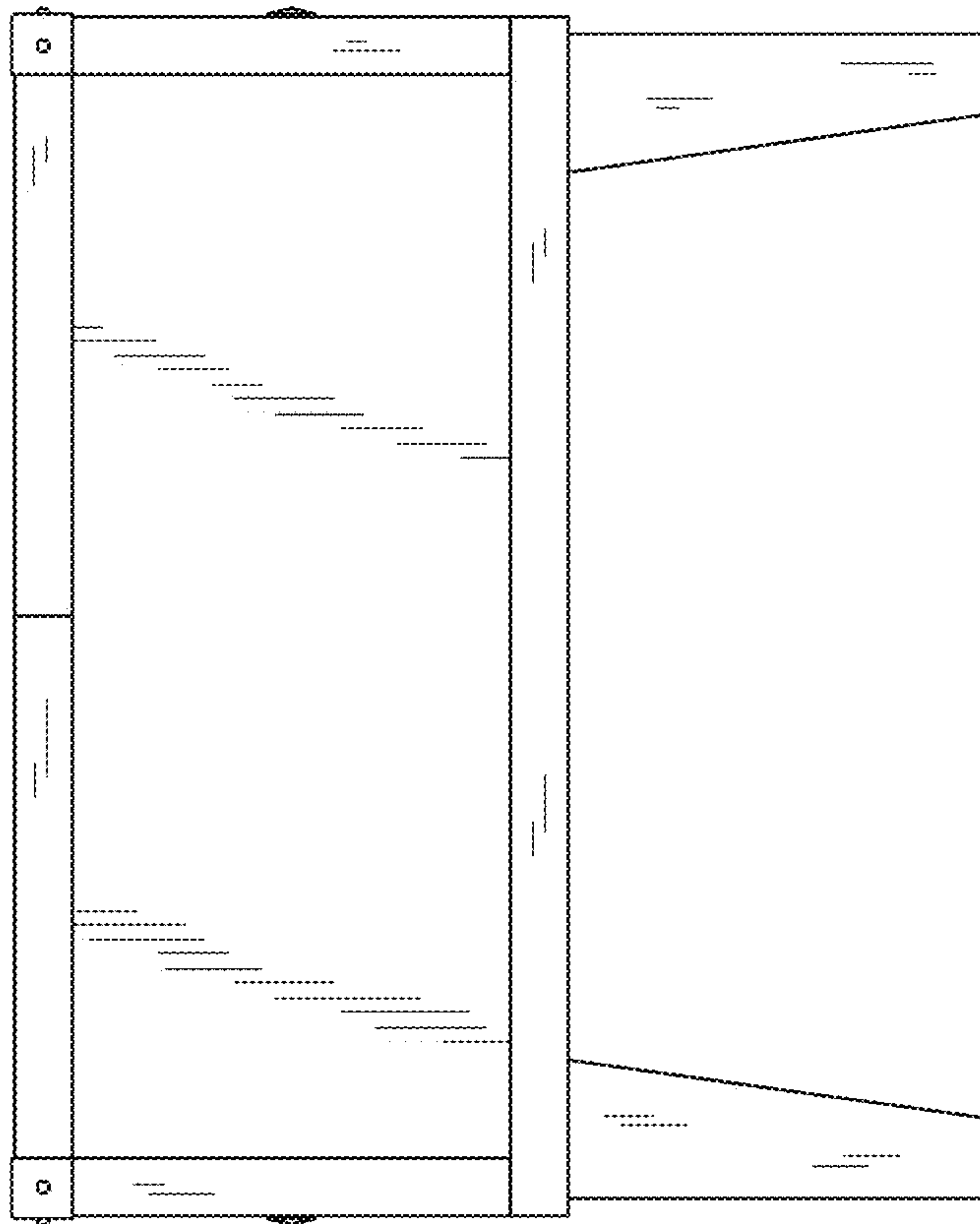


FIG. 5