



US00D981152S

(12) **United States Design Patent**
Levy et al.

(10) **Patent No.:** **US D981,152 S**
(45) **Date of Patent:** **** Mar. 21, 2023**

(54) **TABLE**

(71) Applicant: **NPS Public Furniture Corp.**, Clifton, NJ (US)

(72) Inventors: **Elliot Levy**, Passaic, NJ (US); **Charles P. Kiesow**, Jersey City, NJ (US)

(73) Assignee: **NPS Public Furniture Corp.**, Clifton, NJ (US)

(**) Term: **15 Years**

(21) Appl. No.: **29/807,130**

(22) Filed: **Sep. 9, 2021**

Related U.S. Application Data

(63) Continuation of application No. 16/998,764, filed on Aug. 20, 2020, now Pat. No. 11,297,939.

(51) **LOC (14) Cl.** **06-03**

(52) **U.S. Cl.**

USPC **D6/691**; D6/686

(58) **Field of Classification Search**

USPC D6/406.1, 406.2, 643, 643.1, 653, 654, D6/654.1, 655, 655.1, 655.16, 655.17, D6/656, 656.15, 663, 664, 686, 691, D6/691.1-691.9

CPC A45D 29/00; A45D 44/00; A45D 44/02; A45D 29/20; A45C 2007/0013; A45C 7/0022; A45C 5/141; A47B 3/002; A47B 2003/006; A47B 3/02; A47B 2003/025; A47B 3/10; A47B 7/00; A47B 9/20; A47B 11/00; A47B 21/00; A47B 2021/0307; A47B 21/0314; A47B 23/001; A47B 23/00;

(Continued)

(56) **References Cited**

U.S. PATENT DOCUMENTS

6,352,037 B1 * 3/2002 Doyle A47B 9/00

108/50.02

D476,169 S * 6/2003 Buono D6/691.6

(Continued)

Primary Examiner — Catherine Ho

(74) *Attorney, Agent, or Firm* — Weiss & Arons LLP

(57) **CLAIM**

The ornamental design for a table, as shown and described.

DESCRIPTION

FIG. 1 is a front elevation view of the table with legs folded; FIG. 2 is a rear elevation view of the table with the legs folded;

FIG. 3 is a front elevational view of the table with the legs extended;

FIG. 4 is a rear elevational view of the table with the legs extended;

FIG. 5 is a right side elevational view of the table with the legs folded;

FIG. 6 is a left side elevational view of the table with the legs folded;

FIG. 7 is a right side elevational view of the table with the legs extended;

FIG. 8 is a left side elevational view of the table with the legs extended;

FIG. 9 is a top plan view of the table;

FIG. 10 is a bottom plan view of the table with the legs folded;

FIG. 11 is a bottom plan view of the table with the legs extended;

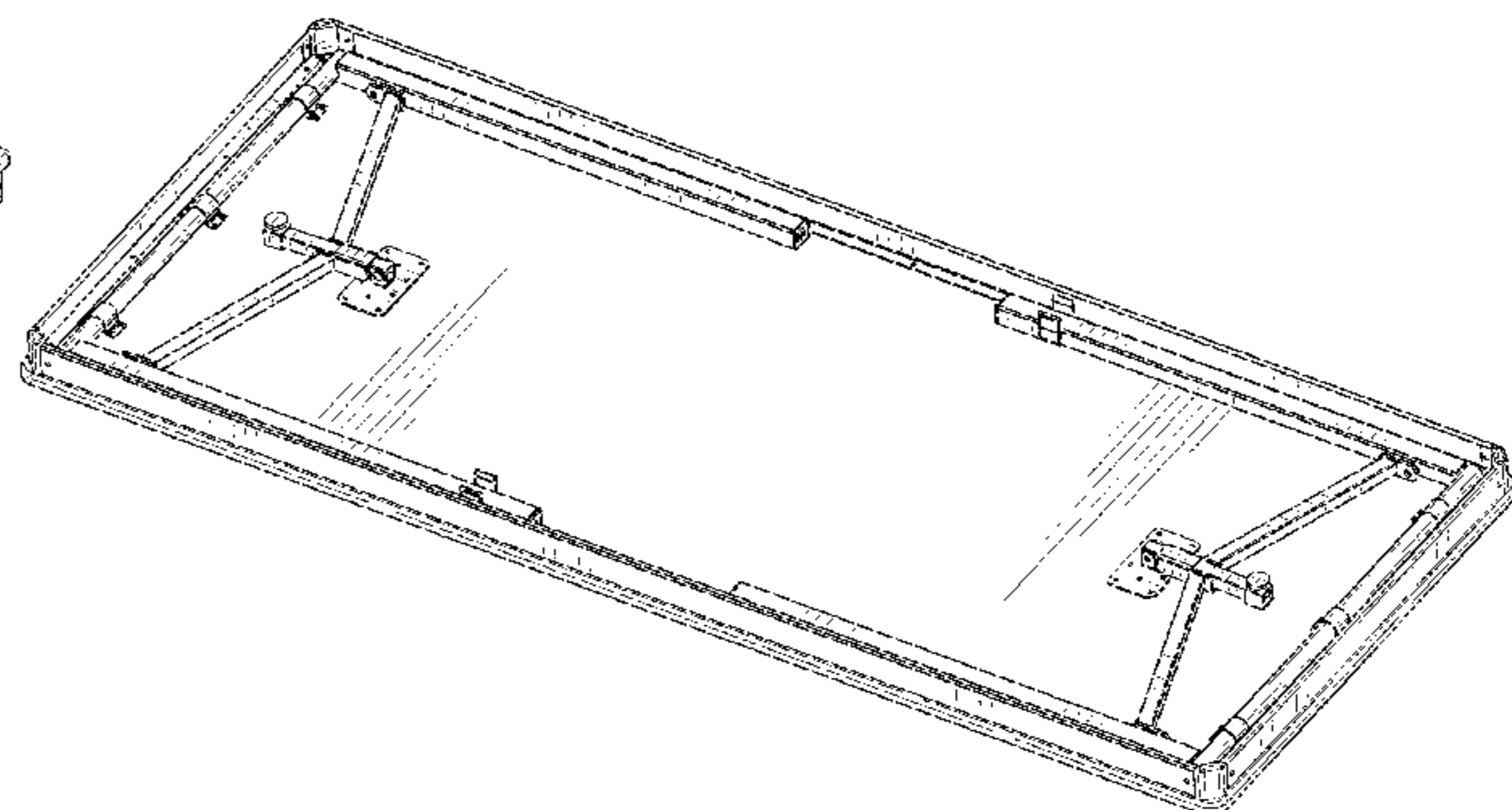
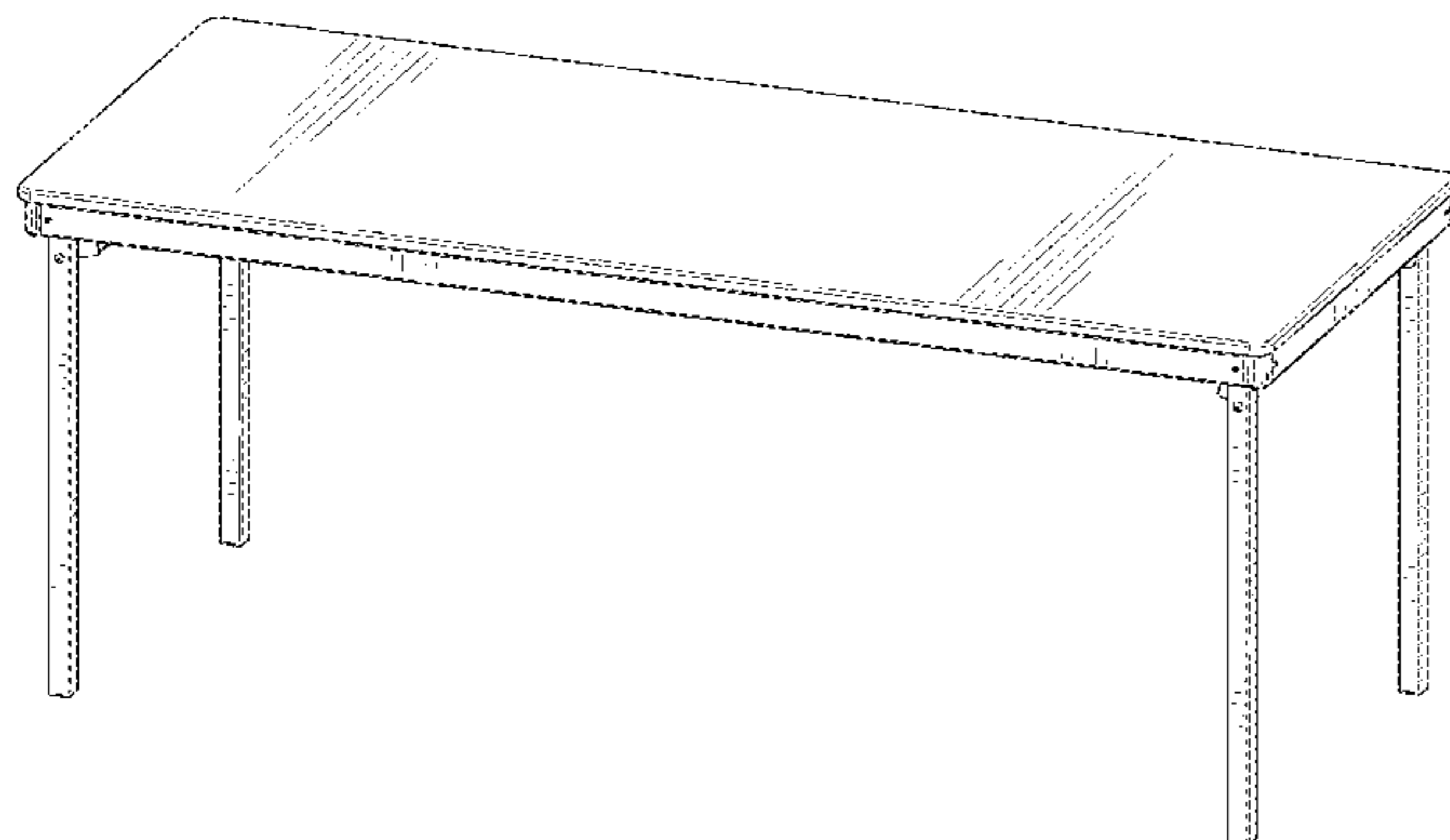
FIG. 12 is a top perspective view of the table with the legs folded;

FIG. 13 is a top perspective view of the table with the legs extended;

FIG. 14 is a bottom perspective view of the table with the legs folded; and,

FIG. 15 is a bottom perspective view of the table with the legs extended.

1 Claim, 15 Drawing Sheets



(58) **Field of Classification Search**
 CPC A47B 2200/00; A47B 2200/008; A47B
 1/08; A47B 2001/085
 See application file for complete search history.

(56) **References Cited**

U.S. PATENT DOCUMENTS

6,622,644 B2 * 9/2003 Buono A47B 3/0912
 108/132
 D487,655 S * 3/2004 Varsi D6/686
 8,578,863 B2 * 11/2013 Peery A47B 13/083
 108/132
 8,757,069 B2 * 6/2014 Peery A47B 3/0912
 108/132
 D742,146 S * 11/2015 Lin D6/691
 D750,402 S * 3/2016 Lin D6/691

D774,808 S * 12/2016 Lin D6/691
 D837,578 S * 1/2019 Rundle D6/686
 D865,417 S * 11/2019 Chavarria D6/686
 D865,418 S * 11/2019 Chavarria D6/686
 D865,419 S * 11/2019 Chavarria D6/686
 11,445,816 B2 * 9/2022 Averianov A47B 21/007
 D972,349 S * 12/2022 Chen D6/691.6
 D973,397 S * 12/2022 Nikolajsen D6/656.13
 D974,804 S * 1/2023 Freundlich D6/656
 2002/0152934 A1 * 10/2002 Haney A47B 13/003
 108/130
 2011/0203494 A1 * 8/2011 Ashby A47B 3/087
 108/127
 2013/0118388 A1 * 5/2013 Zhu A47B 3/0912
 108/127
 2022/0053923 A1 * 2/2022 Levy A47B 3/0913
 2022/0087408 A1 * 3/2022 Levy A47B 3/0913

* cited by examiner

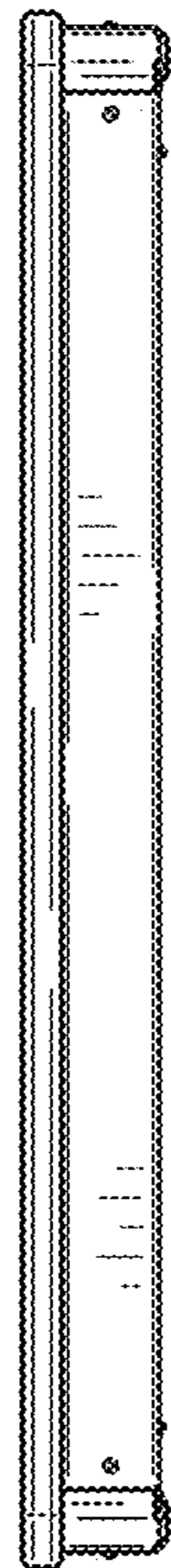


FIG. 1

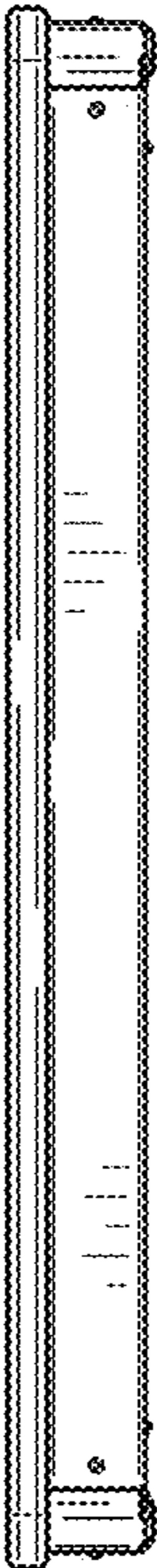


FIG. 2

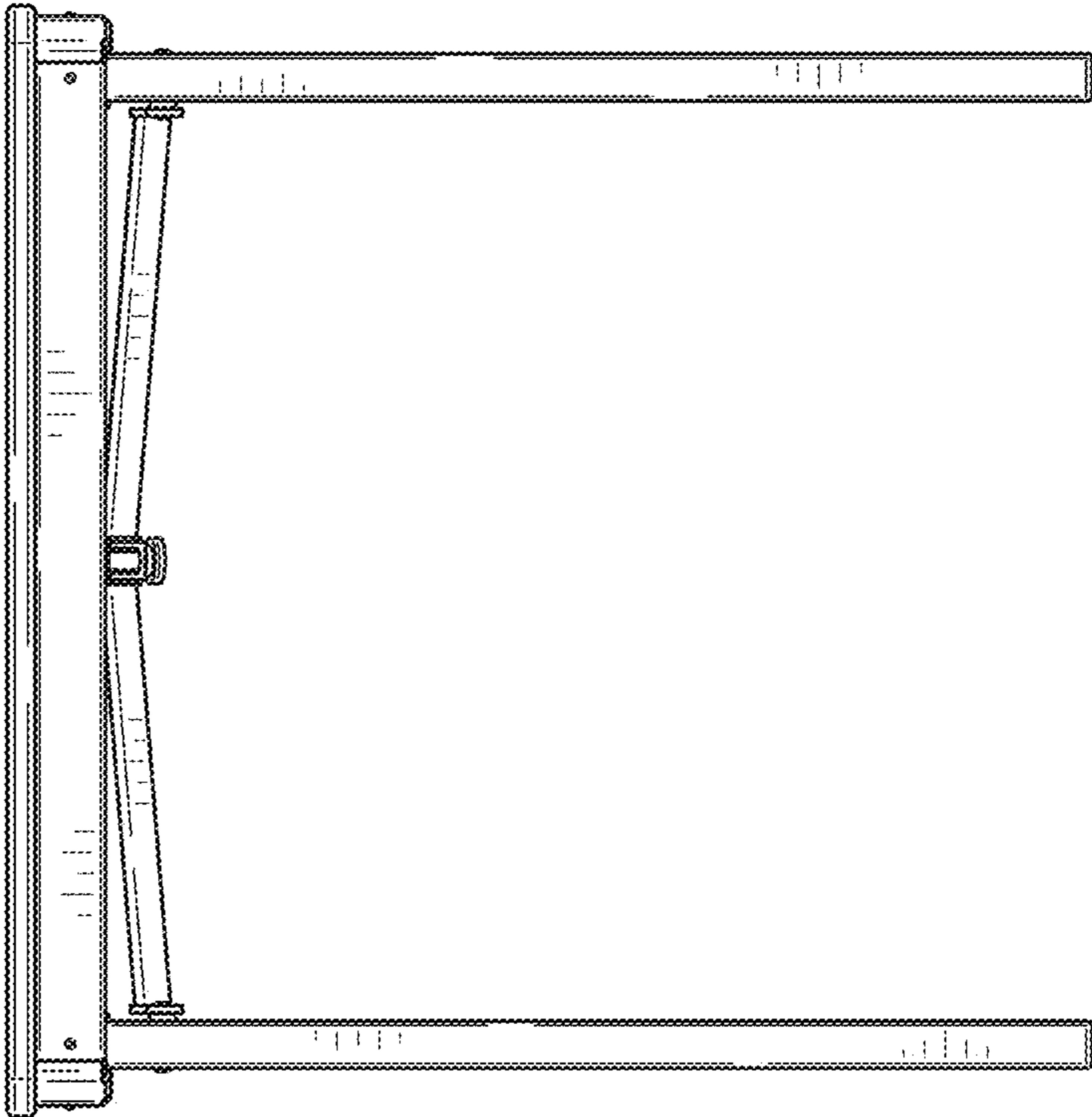


FIG. 3

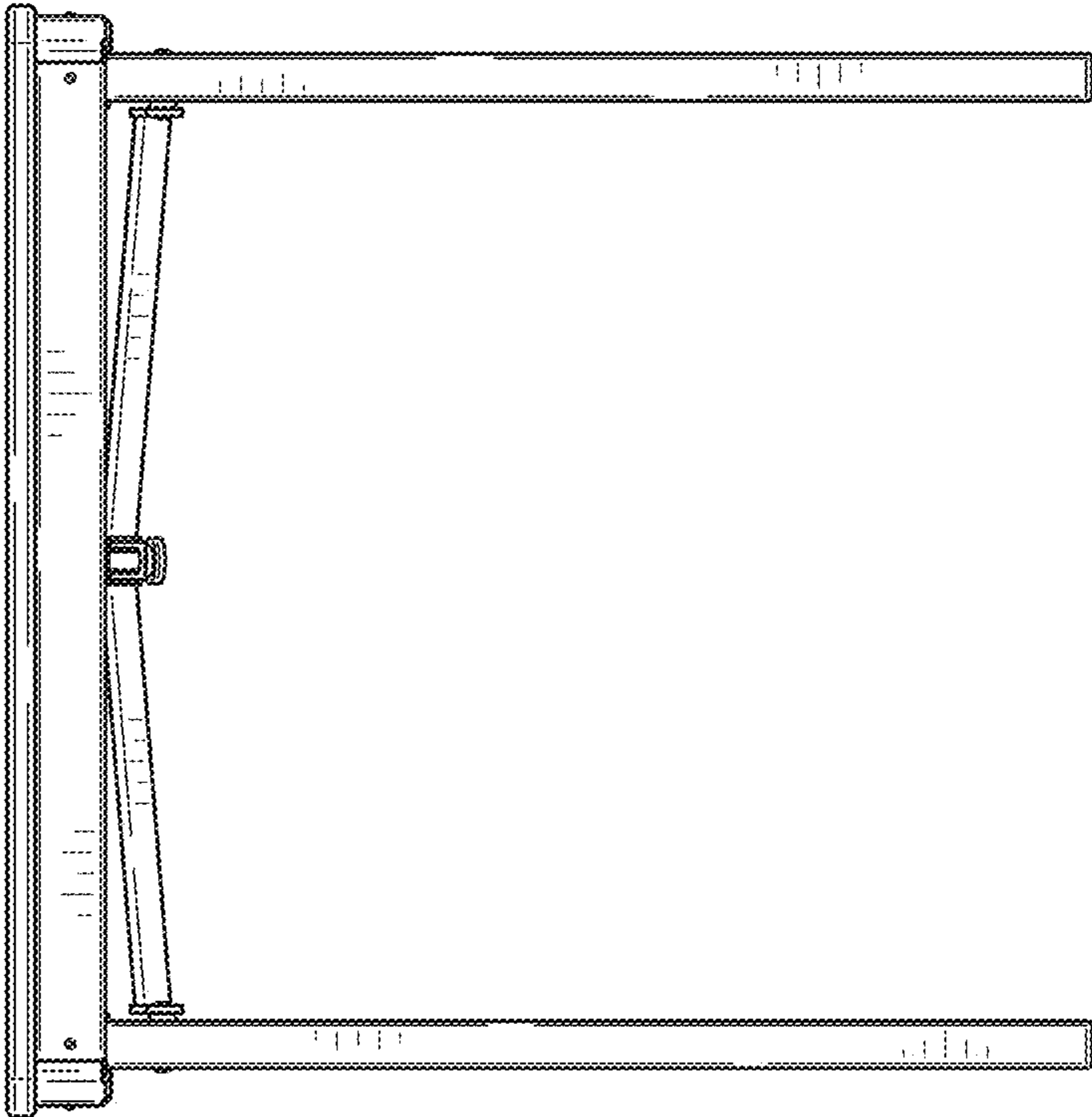


FIG. 4

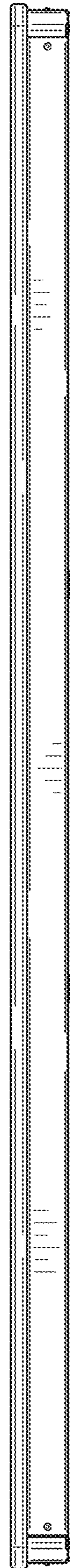


FIG. 5

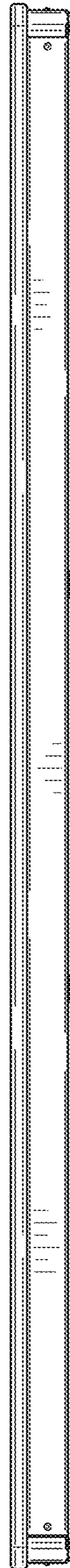


FIG. 6

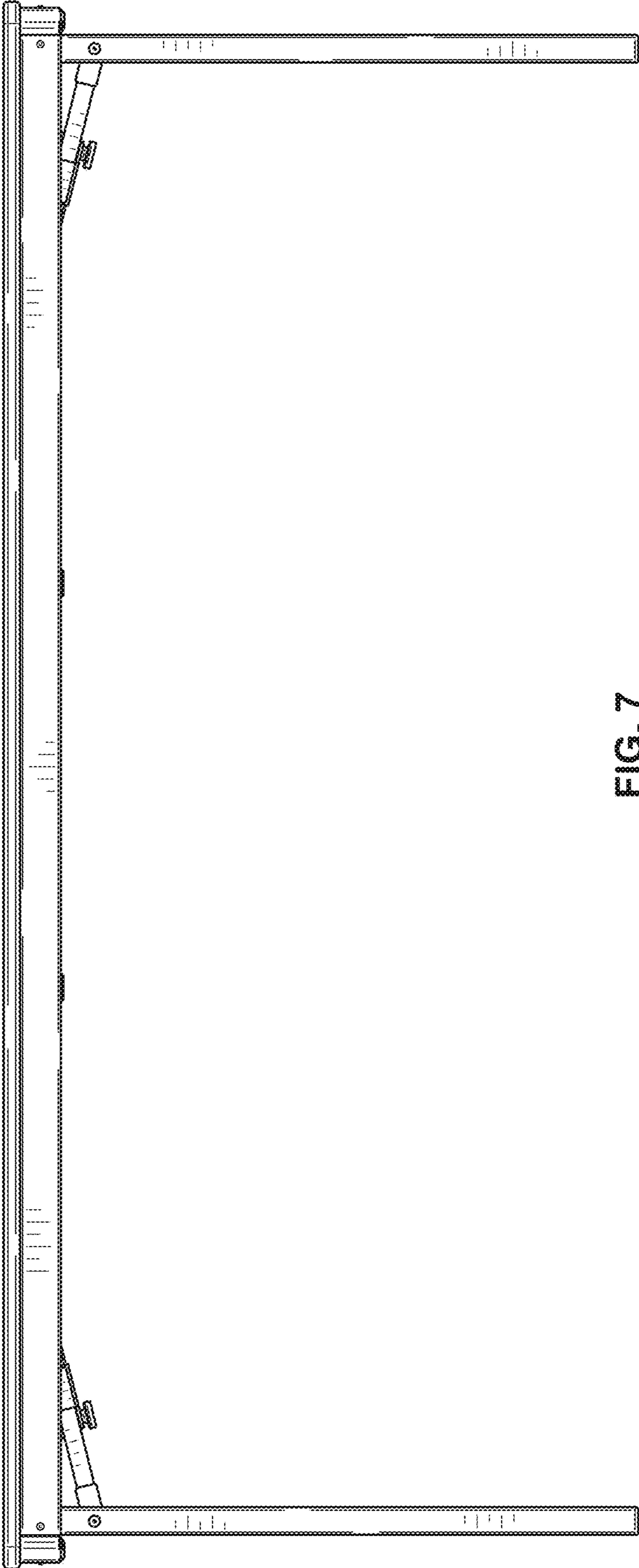


FIG. 7

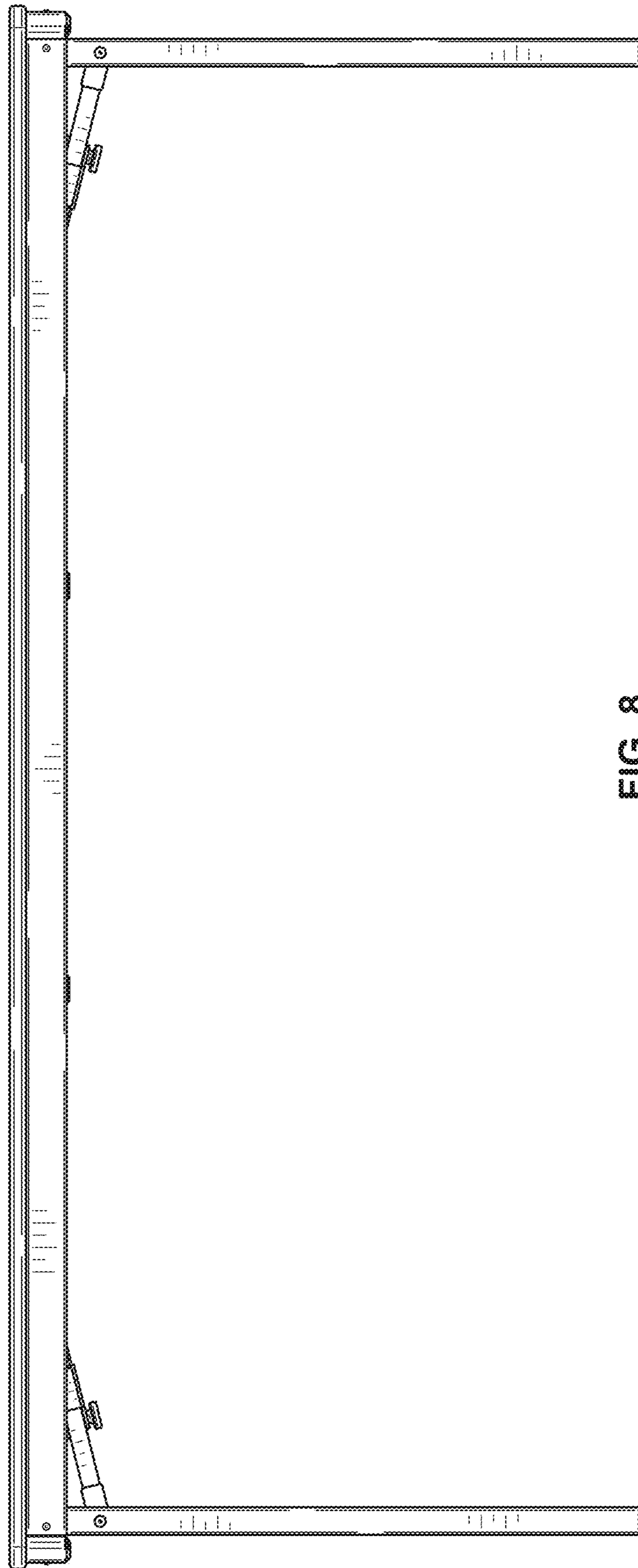


FIG. 8



FIG. 9

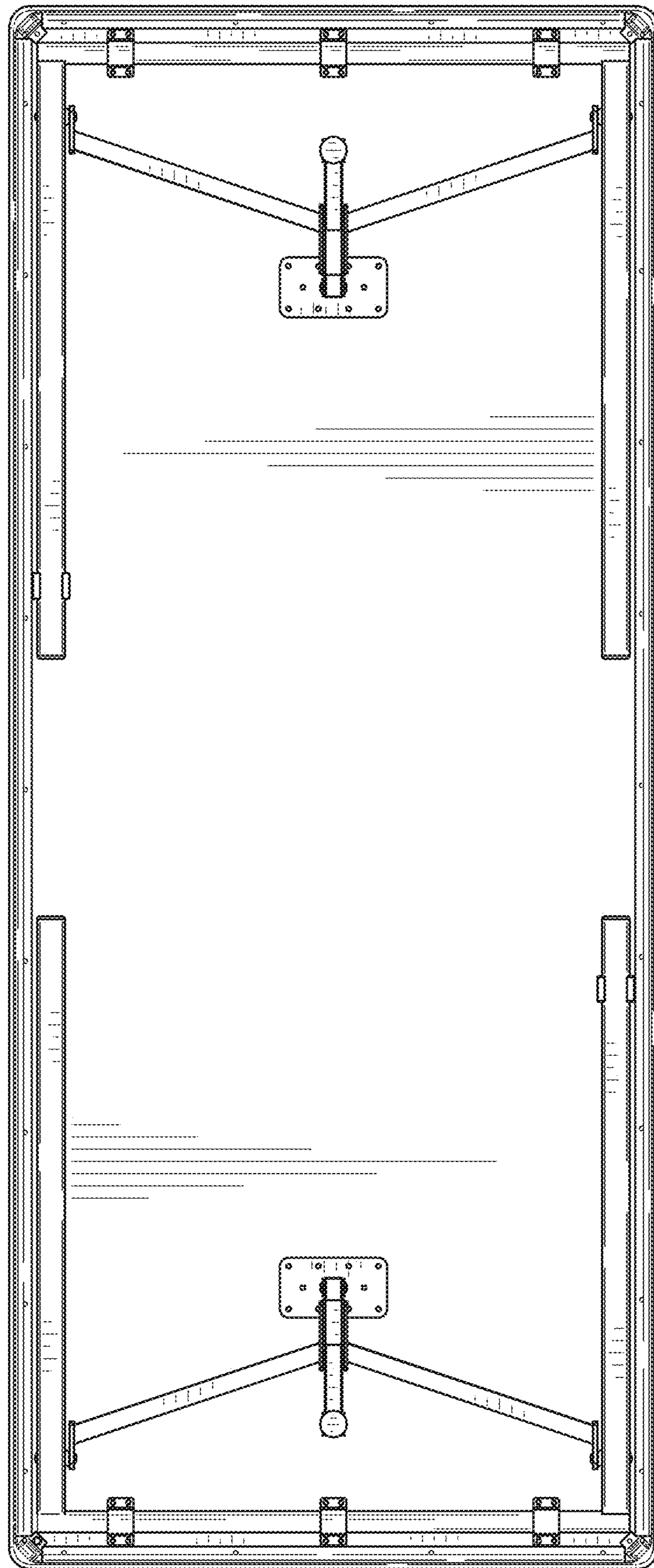


FIG. 10

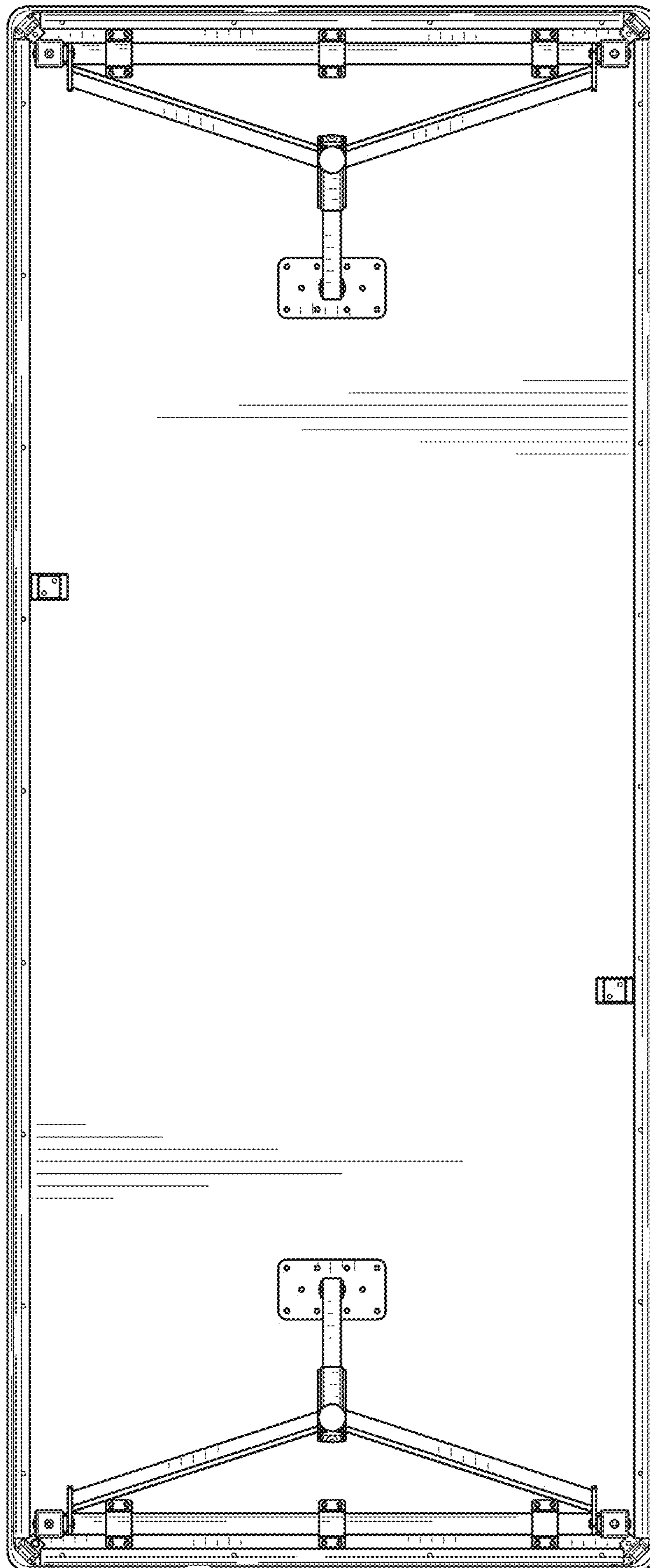


FIG. 11

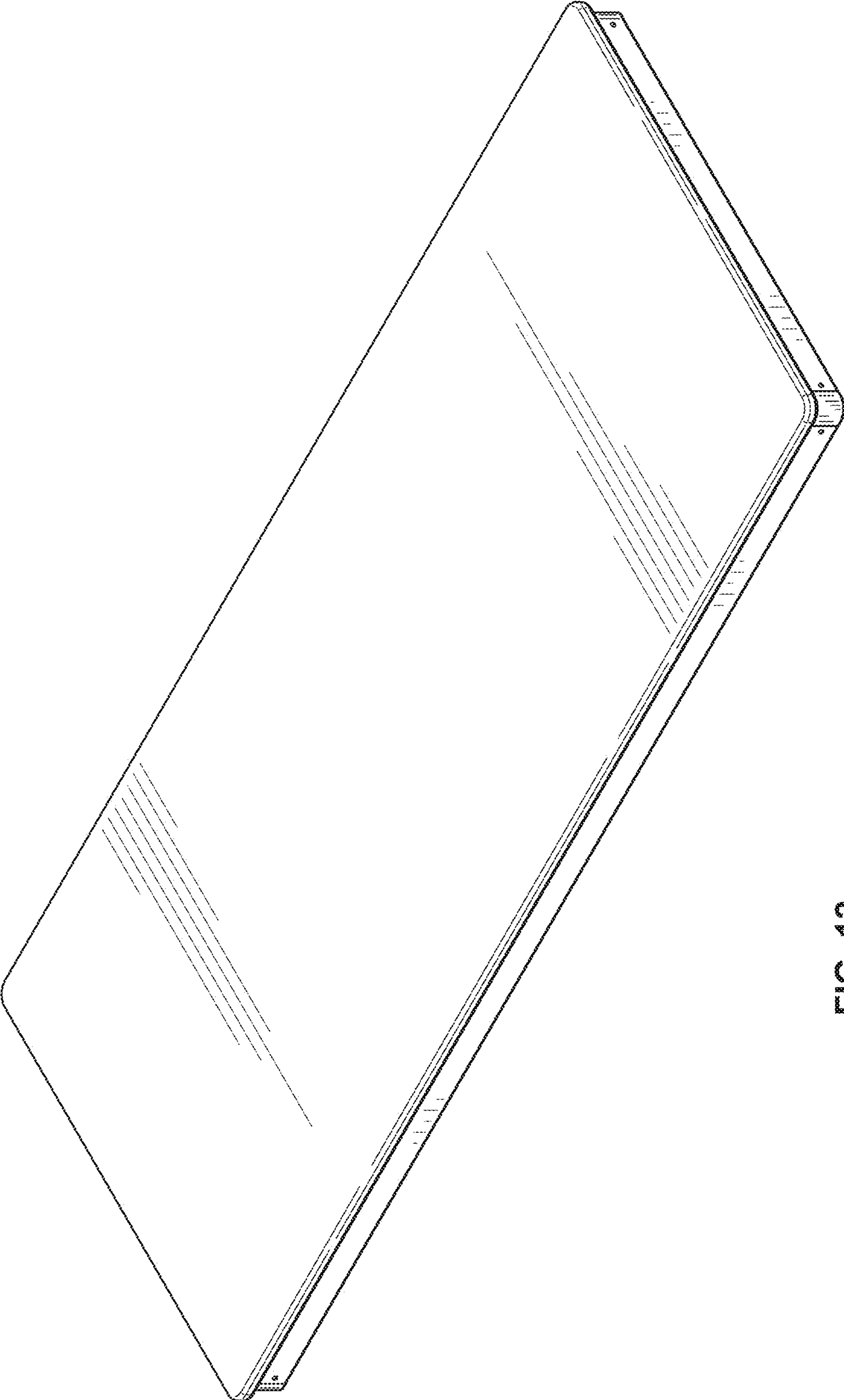


FIG. 12

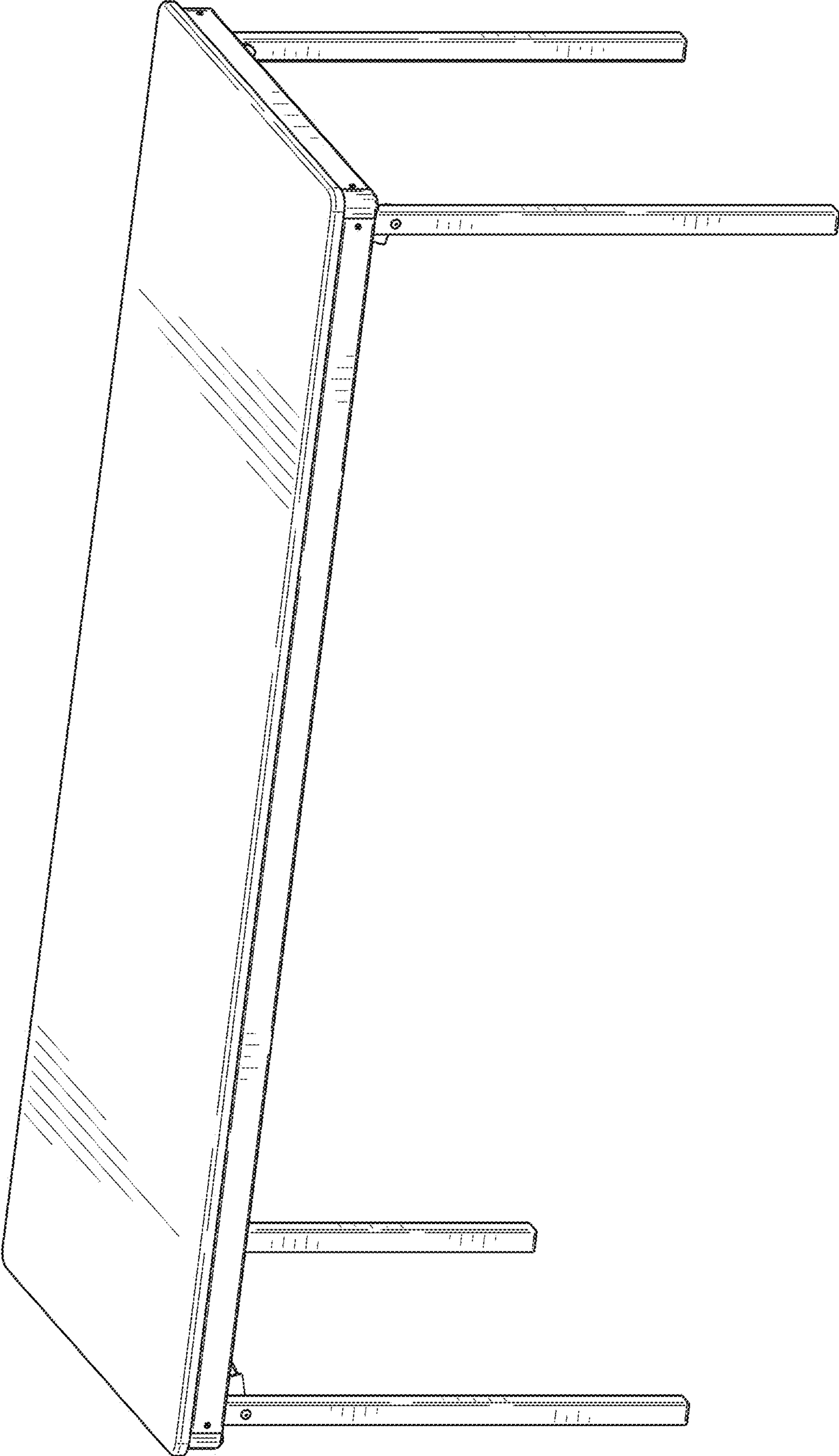


FIG. 13

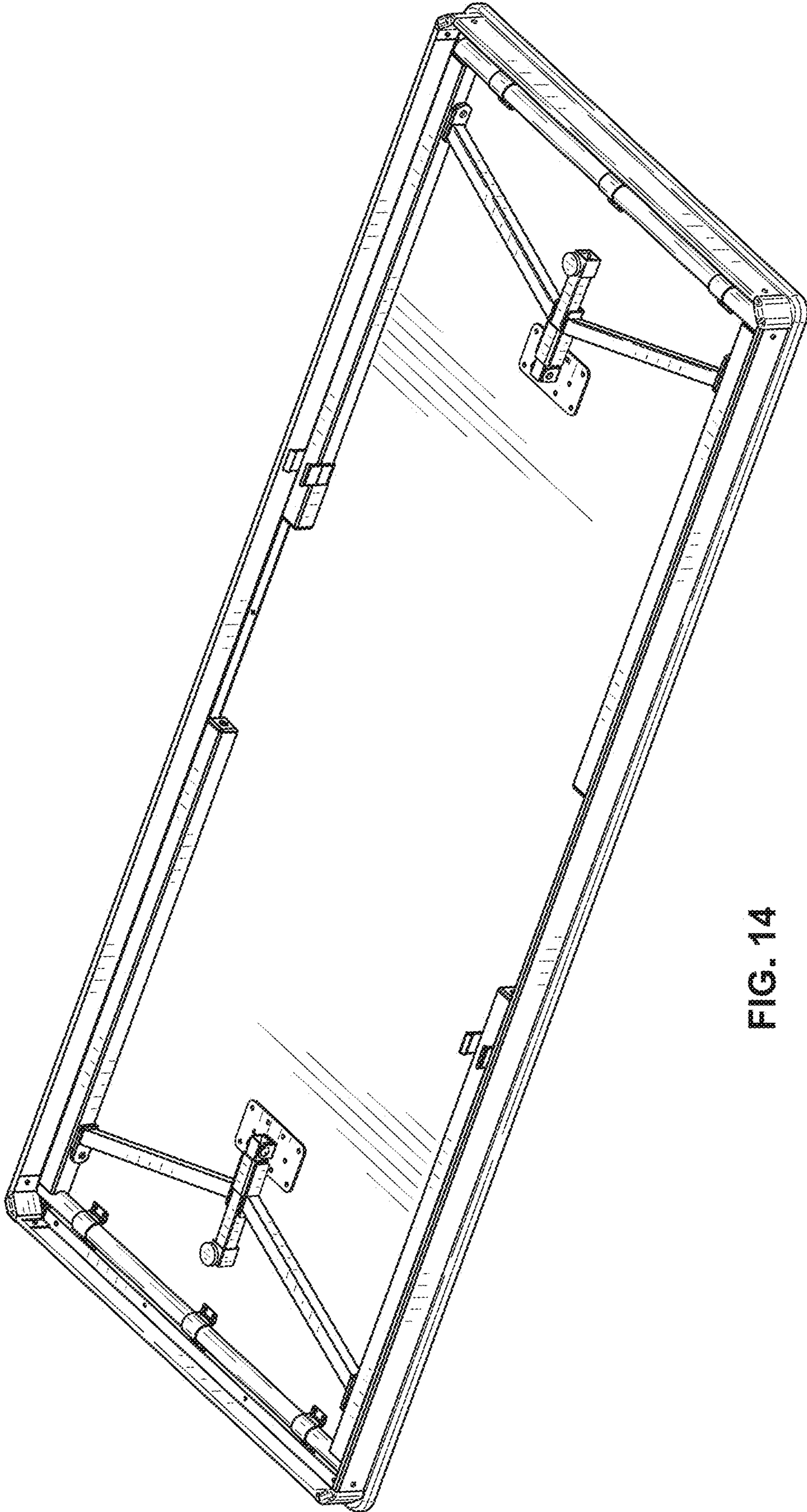


FIG. 14

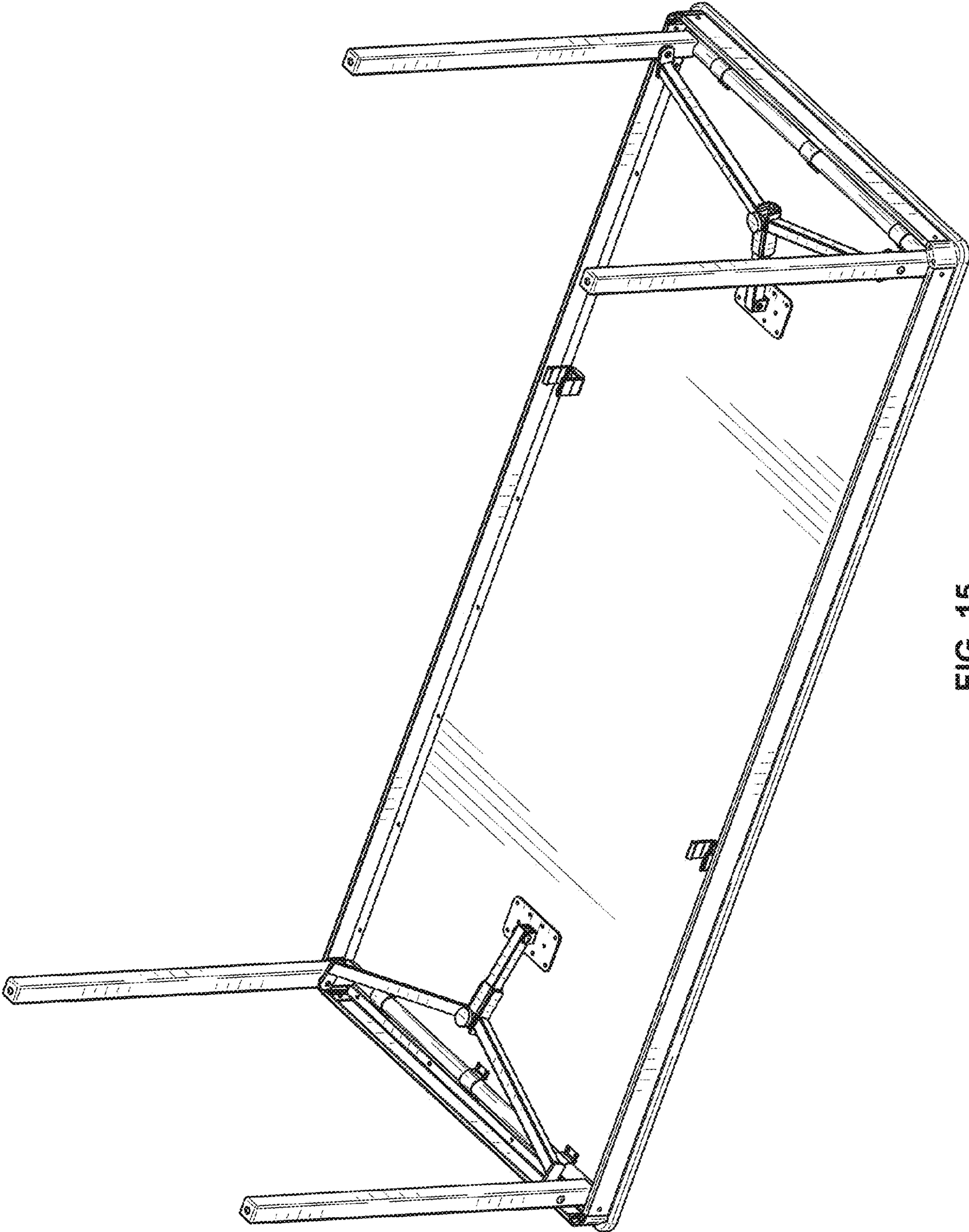


FIG. 15