



US00D981151S

(12) **United States Design Patent**
Wu

(10) **Patent No.:** **US D981,151 S**
(45) **Date of Patent:** **** Mar. 21, 2023**

(54) **BRACKET**

(71) Applicant: **Shenzhen Tuohaotian Technology Co., Ltd.**, Shenzhen (CN)

(72) Inventor: **Zhongbiao Wu**, Gaozhou (CN)

(73) Assignee: **Shenzhen Tuohaotian Technology Co., Ltd.**, Shenzhen (CN)

(**) Term: **15 Years**

(21) Appl. No.: **29/882,598**

(22) Filed: **Jan. 17, 2023**

(51) **LOC (14) Cl.** **06-06**

(52) **U.S. Cl.**
USPC **D6/682.6**

(58) **Field of Classification Search**
USPC D6/407, 672, 677, 677.1, 678, 678.1, D6/682, 682.6; D14/251-253; D8/349, D8/373, 380
CPC A47B 43/00; A47B 47/028; A47B 55/00; A47F 5/04; A47F 5/0006; A47F 5/0876; A47F 7/0057; A63B 71/0036
See application file for complete search history.

(56) **References Cited**

U.S. PATENT DOCUMENTS

D222,567 S * 11/1971 Cohen D6/680
D331,670 S * 12/1992 Soucy D6/677.1

D403,533 S * 1/1999 Paul D6/677.3
D431,395 S * 10/2000 Malapane D6/682.6
D467,094 S * 12/2002 Bodzioch D6/682
D605,353 S * 12/2009 Lee D6/677.1
D643,648 S * 8/2011 Eason D6/682
D866,231 S * 11/2019 Sawhney D6/682
10,784,694 B1 * 9/2020 Gray A47B 45/00
D934,665 S 11/2021 Cronkhite et al.
D957,853 S * 7/2022 Lancelin D6/682.6
D972,871 S * 12/2022 Yang D6/681

* cited by examiner

Primary Examiner — Kelley A Donnelly

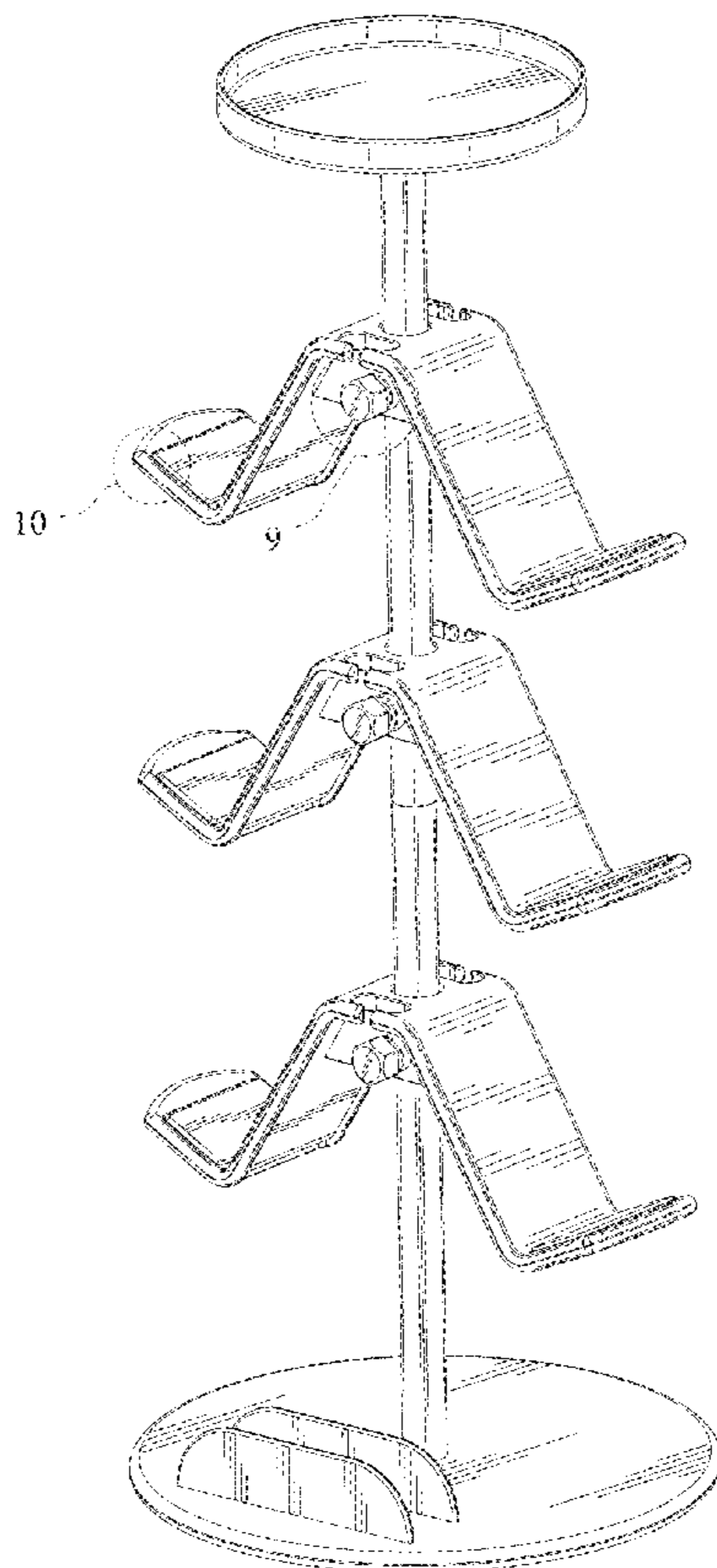
(57) **CLAIM**

The ornamental design for a bracket, as shown and described.

DESCRIPTION

FIG. 1 is a top perspective view of a bracket, showing my new design;
FIG. 2 is a bottom perspective view thereof;
FIG. 3 is a front view thereof;
FIG. 4 is a rear view thereof;
FIG. 5 is a left side view thereof;
FIG. 6 is a right side view thereof;
FIG. 7 is a top view thereof;
FIG. 8 is a bottom view thereof;
FIG. 9 is a partial enlargement of FIG. 1; and,
FIG. 10 is a partial enlargement of FIG. 1.

1 Claim, 10 Drawing Sheets



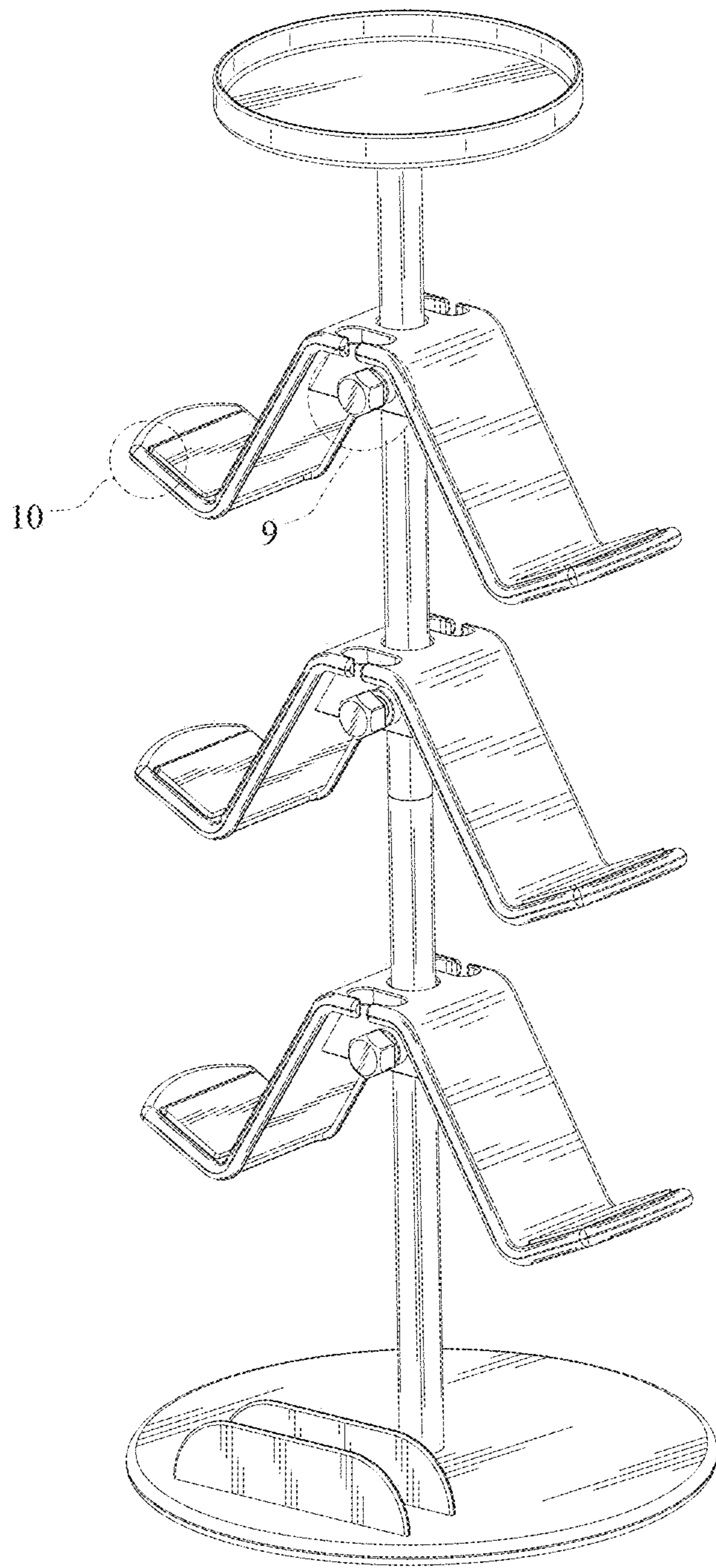


FIG. 1

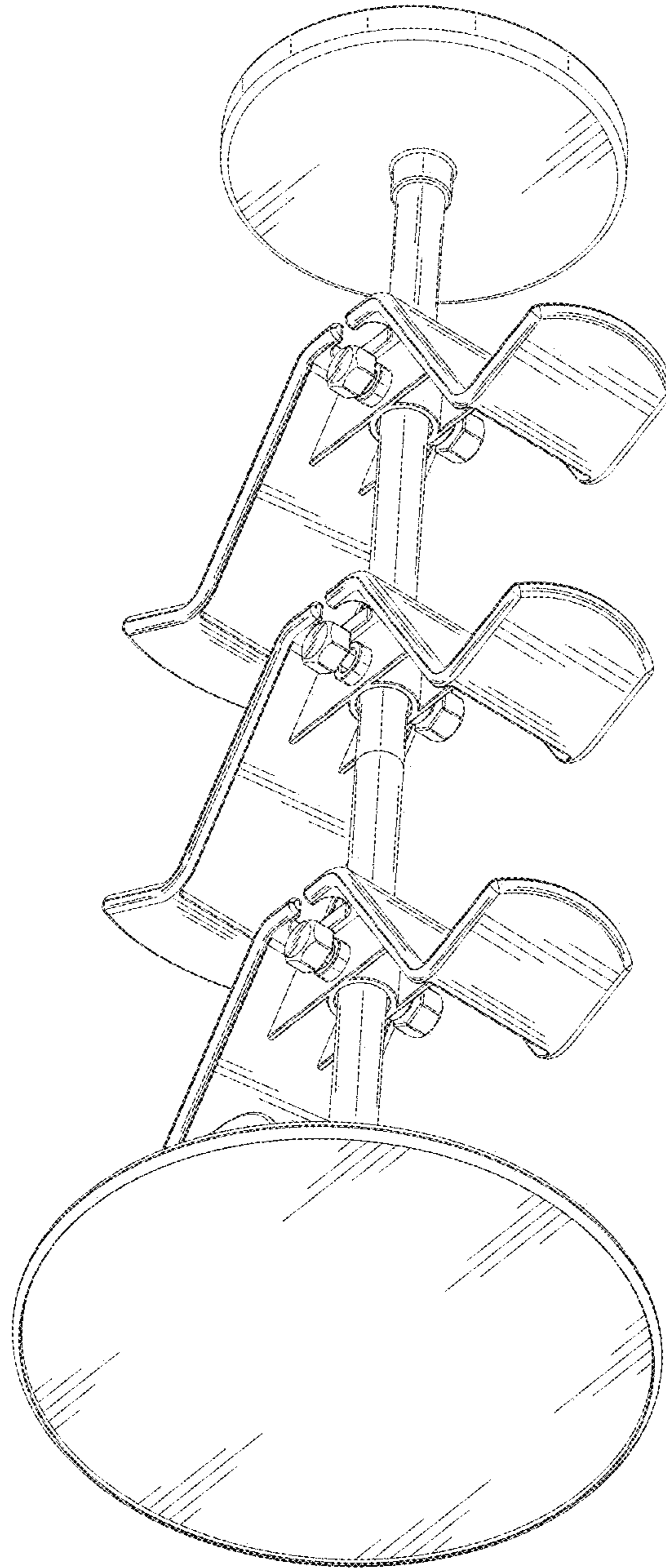


FIG. 2

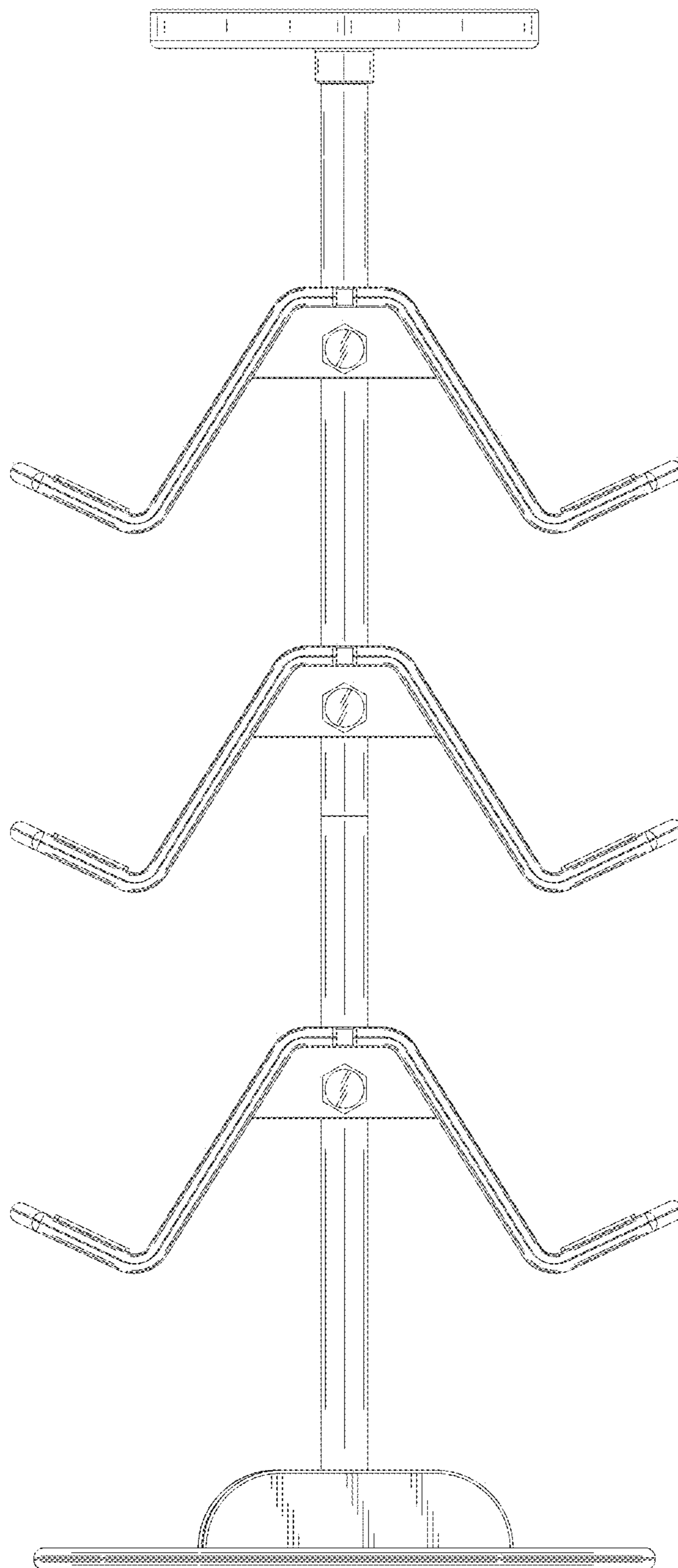


FIG. 3

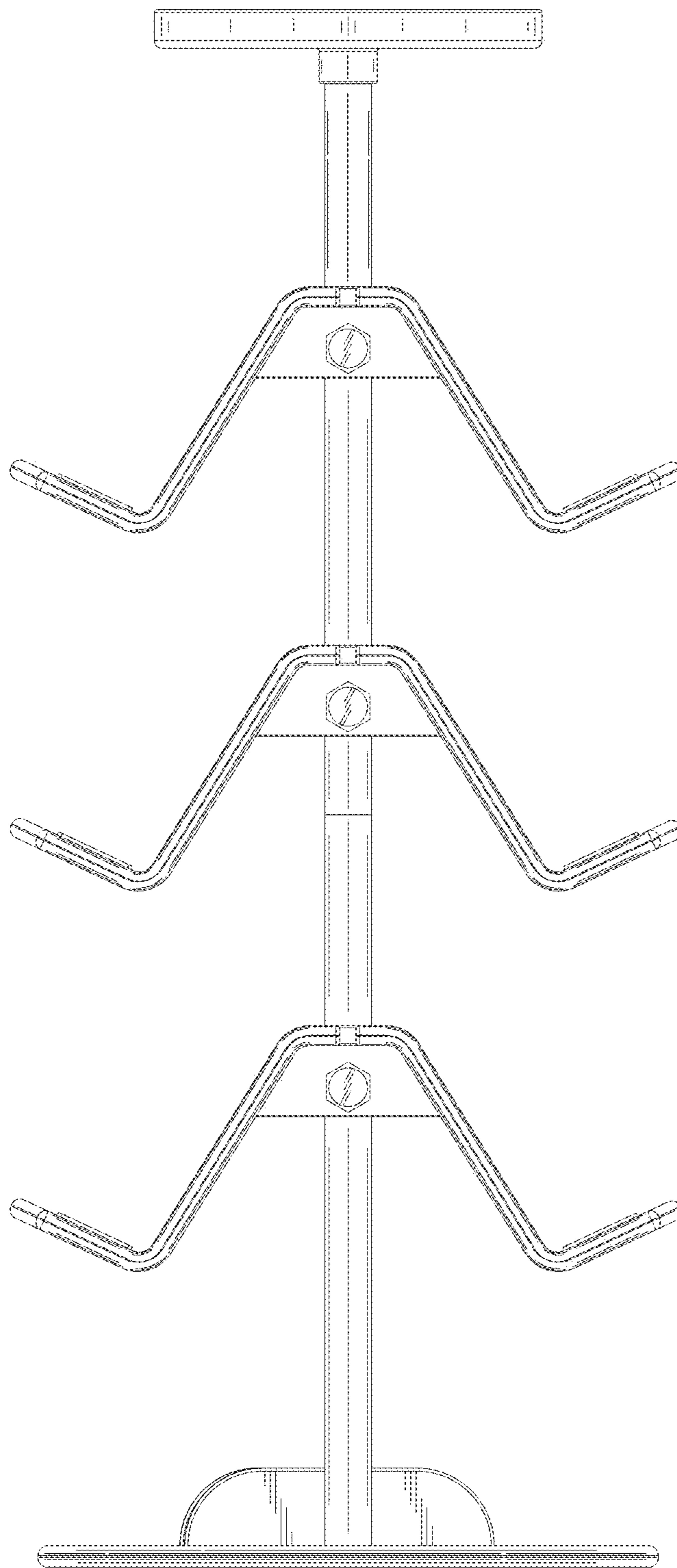


FIG. 4

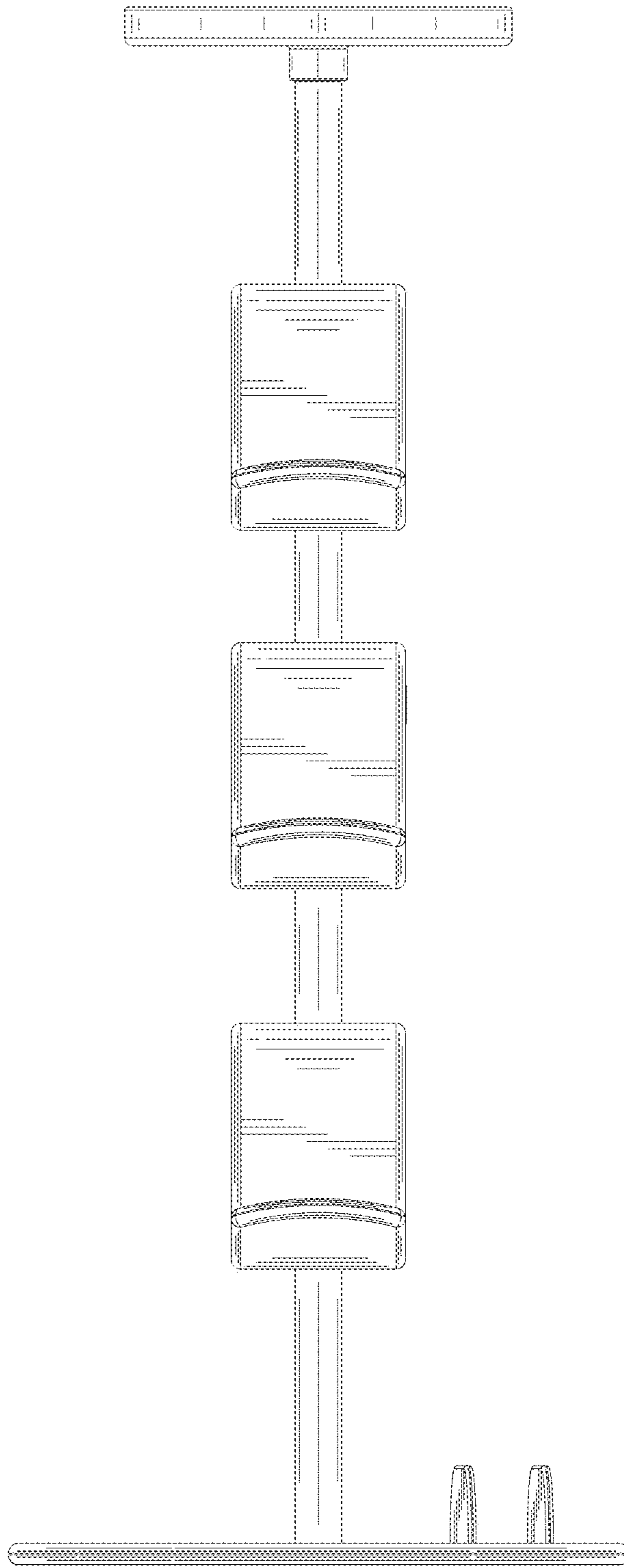


FIG. 5

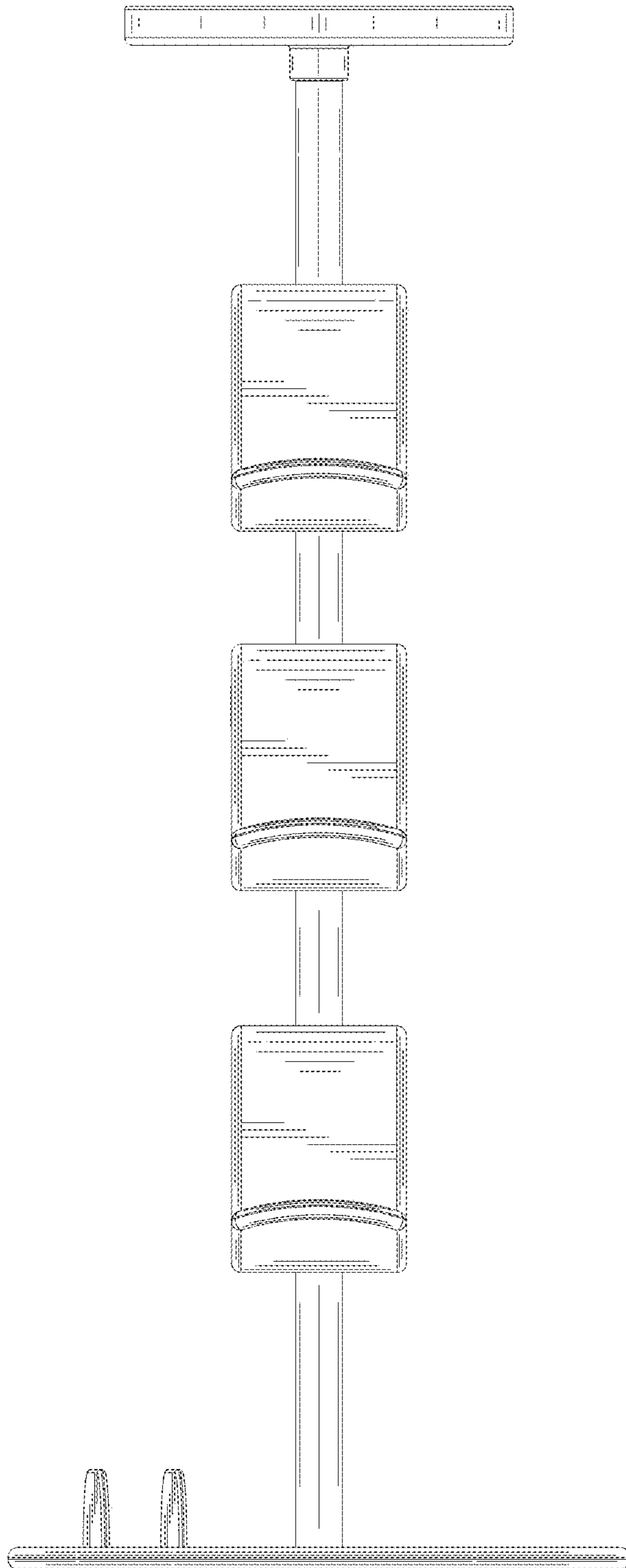


FIG. 6

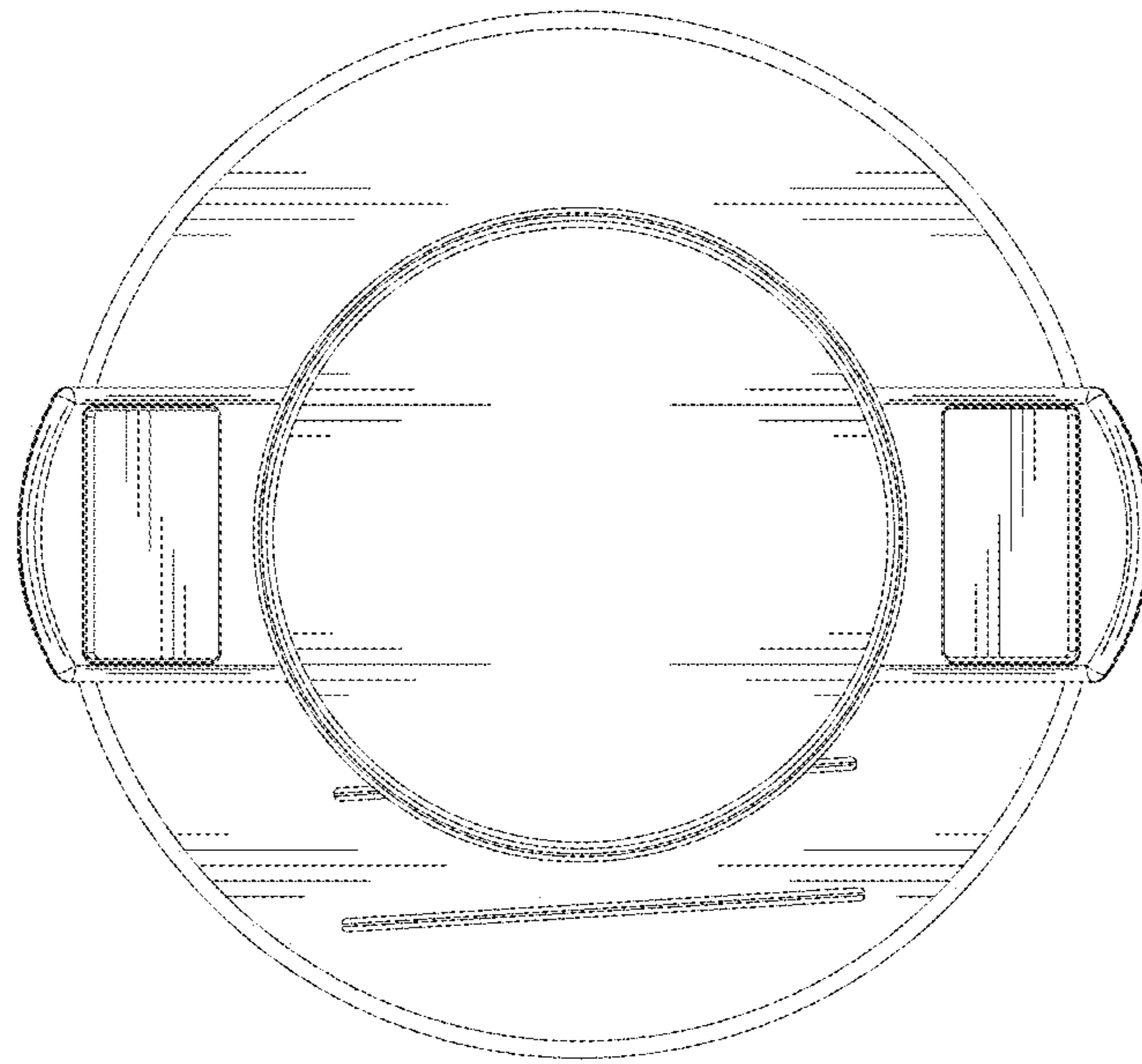


FIG. 7

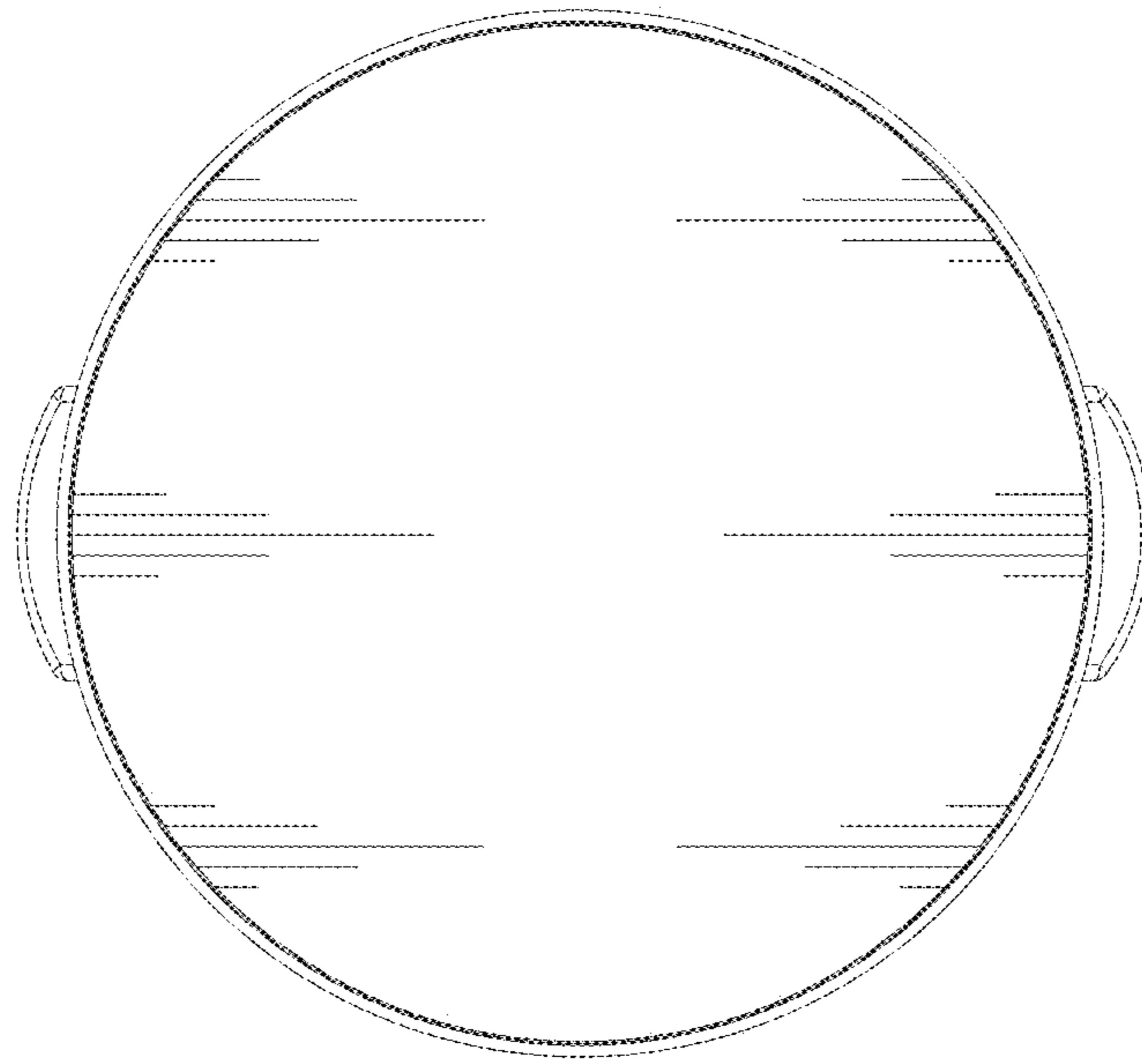


FIG. 8

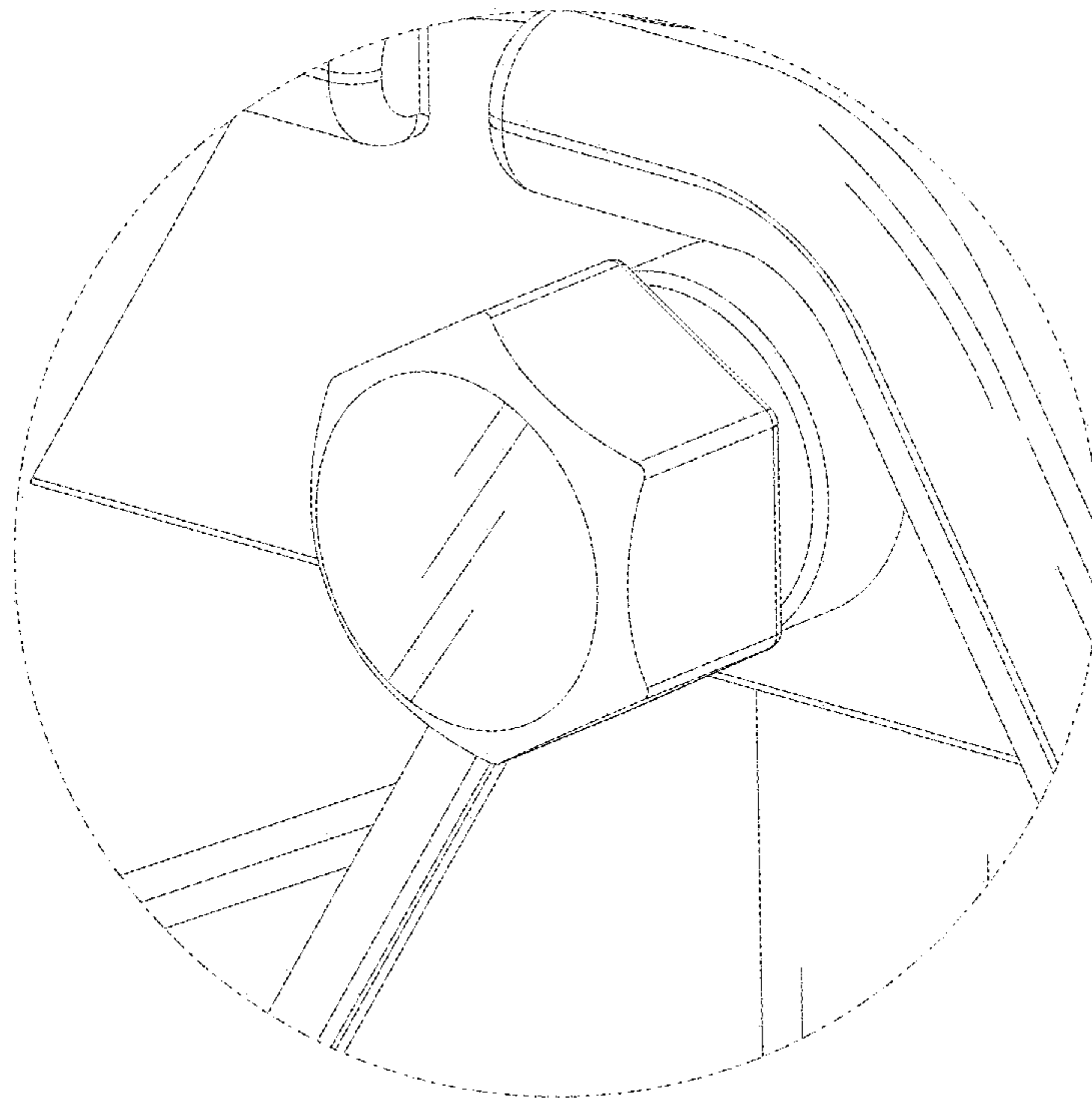


FIG. 9

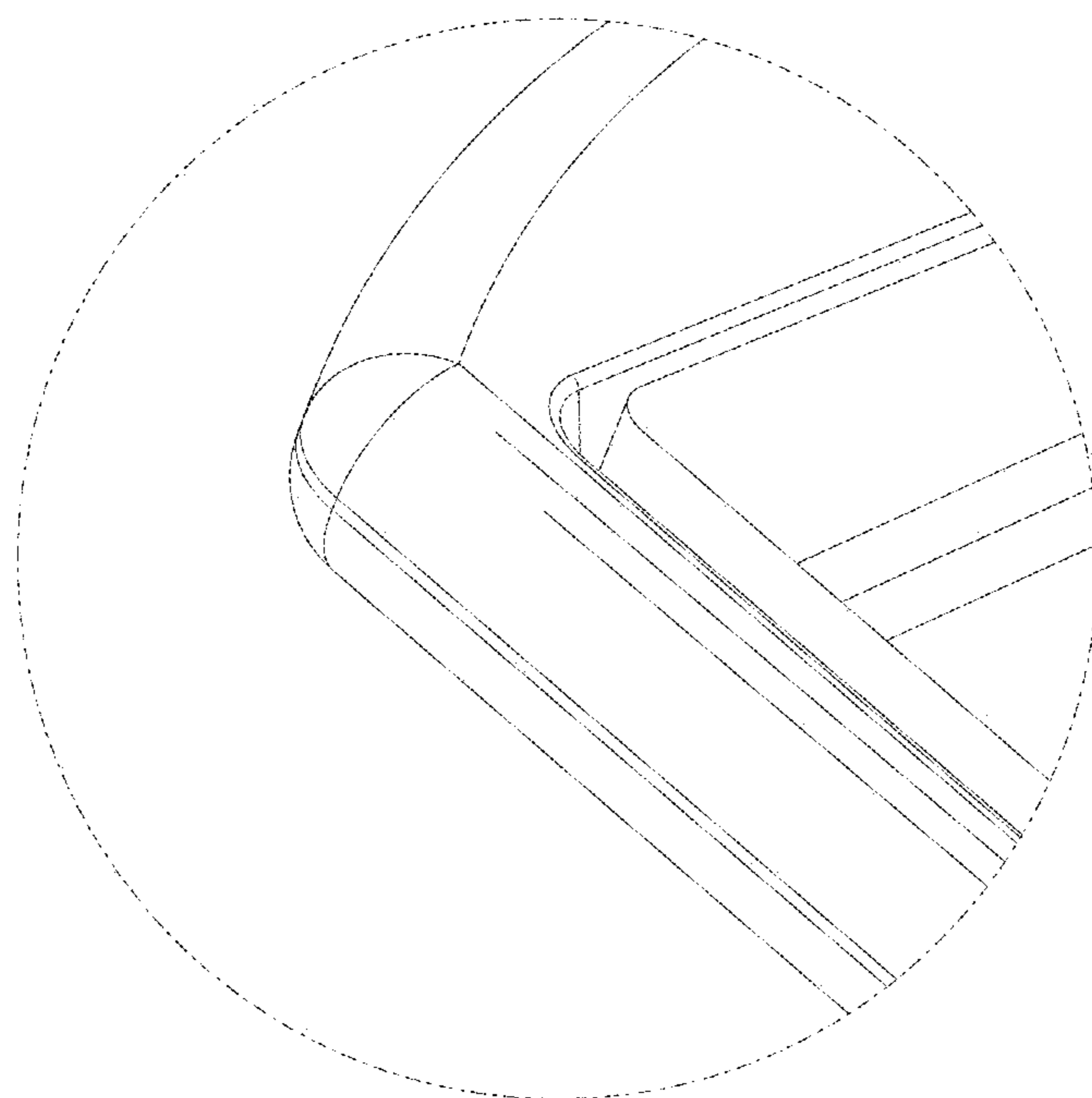


FIG. 10