



US00D981150S

(12) **United States Design Patent**
Zabel

(10) **Patent No.:** **US D981,150 S**

(45) **Date of Patent:** **** Mar. 21, 2023**

(54) **MOUNTING POST**

(71) Applicant: **Larry Alan Zabel**, Blue Ridge, GA (US)

(72) Inventor: **Larry Alan Zabel**, Blue Ridge, GA (US)

(**) Term: **15 Years**

(21) Appl. No.: **29/723,880**

(22) Filed: **Feb. 11, 2020**

(51) **LOC (14) Cl.** **06-06**

(52) **U.S. Cl.**
USPC **D6/677.5**

(58) **Field of Classification Search**
USPC D6/567, 553, 566, 570, 571, 574, 672, D6/677, 677.5
CPC A47B 73/00; A47B 73/002; A47B 81/04; A47F 5/02; A47F 5/0876; A47F 5/13
See application file for complete search history.

(56) **References Cited**

U.S. PATENT DOCUMENTS

- D364,979 S * 12/1995 Thomas D6/678.4
- 5,562,216 A * 10/1996 Falconio A47F 7/06
211/163
- D444,649 S * 7/2001 Amato Capone D6/681.2
- 6,578,716 B1 * 6/2003 Wei A47F 7/06
223/12
- D534,012 S * 12/2006 Lee, Sr. D6/681.1
- 9,427,066 B2 * 8/2016 Davidson A45D 44/14

OTHER PUBLICATIONS

VHBDesigns.Wood Hat Stands Set of 3,Sep. 26, 2020,www.etsy.com,https://www.etsy.com/listing/530129473/wood-hat-stands-set-of-3?rec_type=ad&ref=pla_similar_listing_top-3&frs=1&plkey=a5217f9c040933e54a5e0112ecd672360aa4a2fe%3A530129473,2 pages (Year: 2020).*

* cited by examiner

Primary Examiner — Kelley A Donnelly

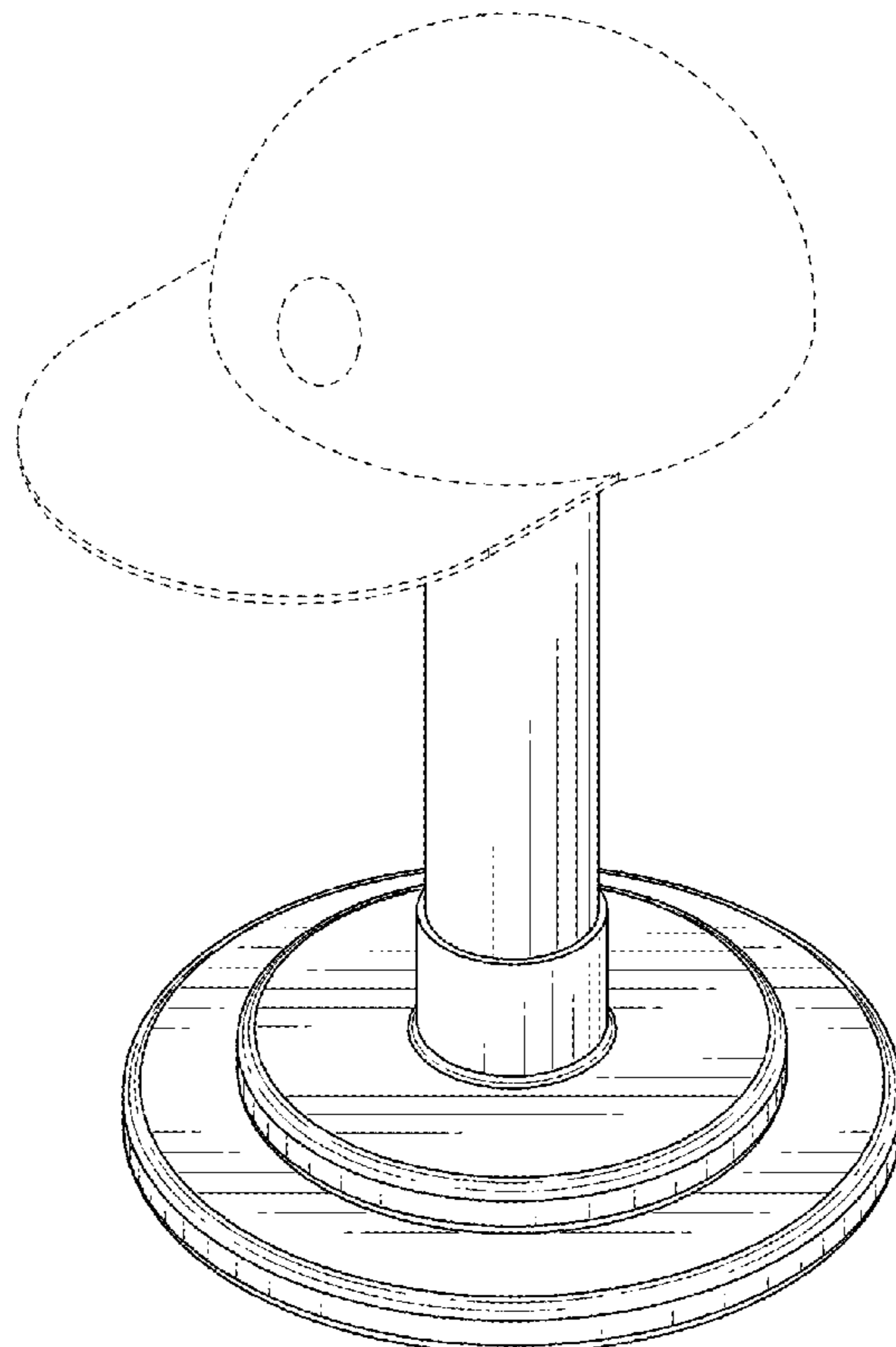
(57) **CLAIM**

The ornamental design for a mounting post, as shown and described.

DESCRIPTION

FIG. 1 is a front-top-right perspective view of a mounting post showing my new design;
FIG. 2 is a front-plan view thereof;
FIG. 3 is a back-plan view thereof;
FIG. 4 is a left elevation view thereof;
FIG. 5 is a right elevation view thereof;
FIG. 6 is a top elevation view thereof;
FIG. 7 is a bottom elevation view thereof; and,
FIG. 8 is a front-top-right perspective view of the present invention showing my new design mounted on headwear.
The broken line showing the mounting post in FIGS. 1-8 are included for the purpose of showing environmental structure and form no part of the claimed design.

1 Claim, 8 Drawing Sheets



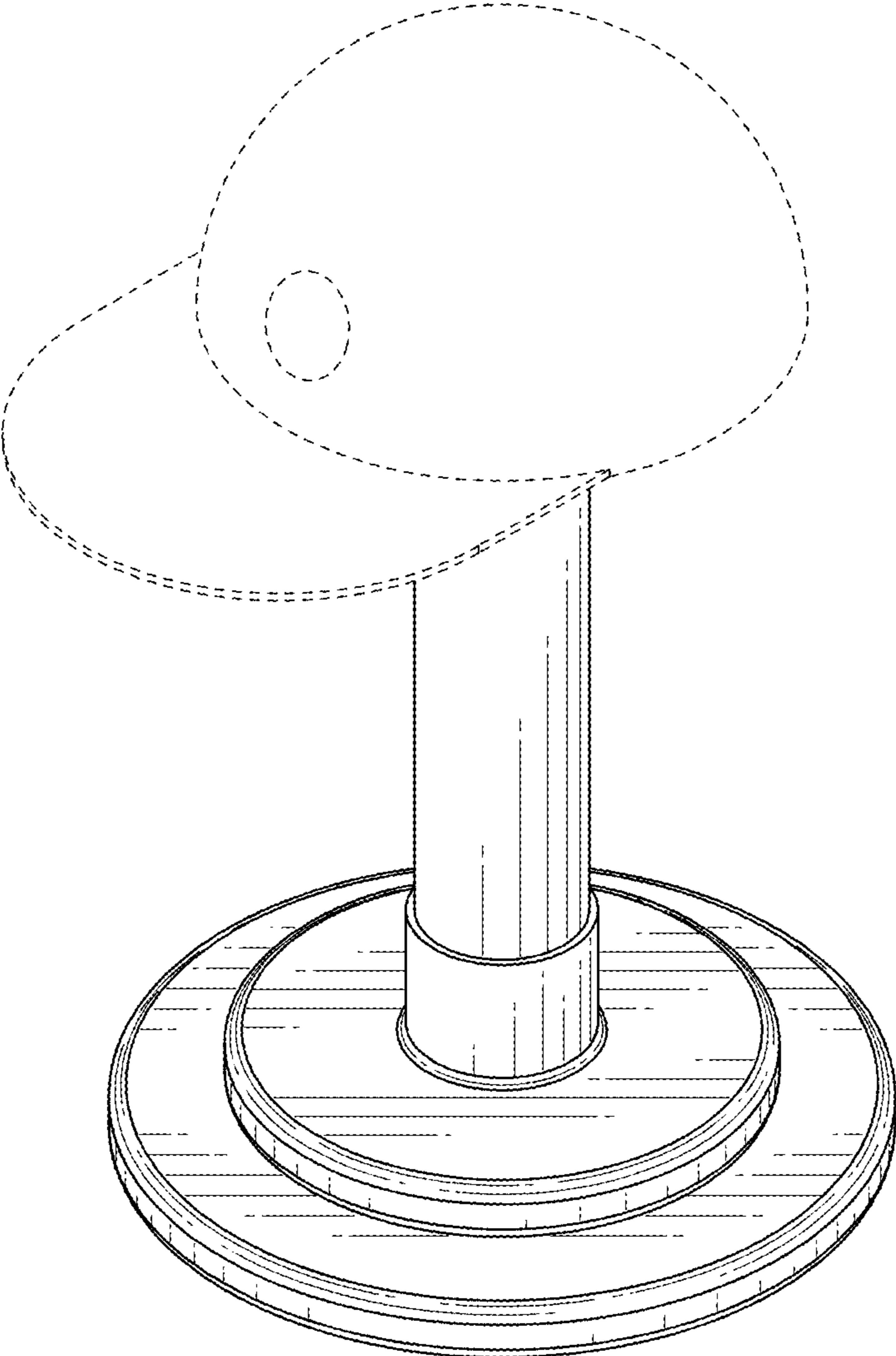


FIG. 1

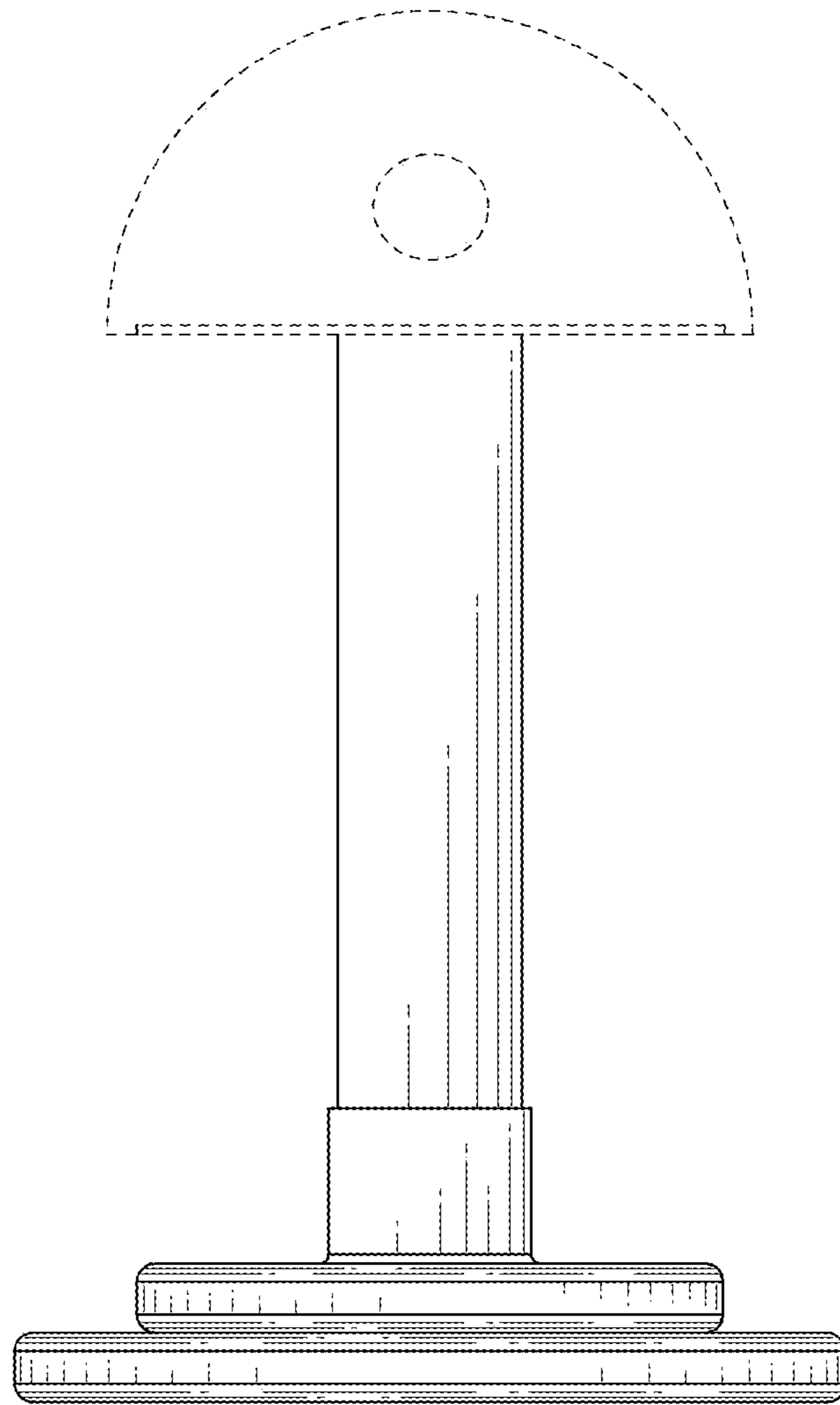


FIG.2

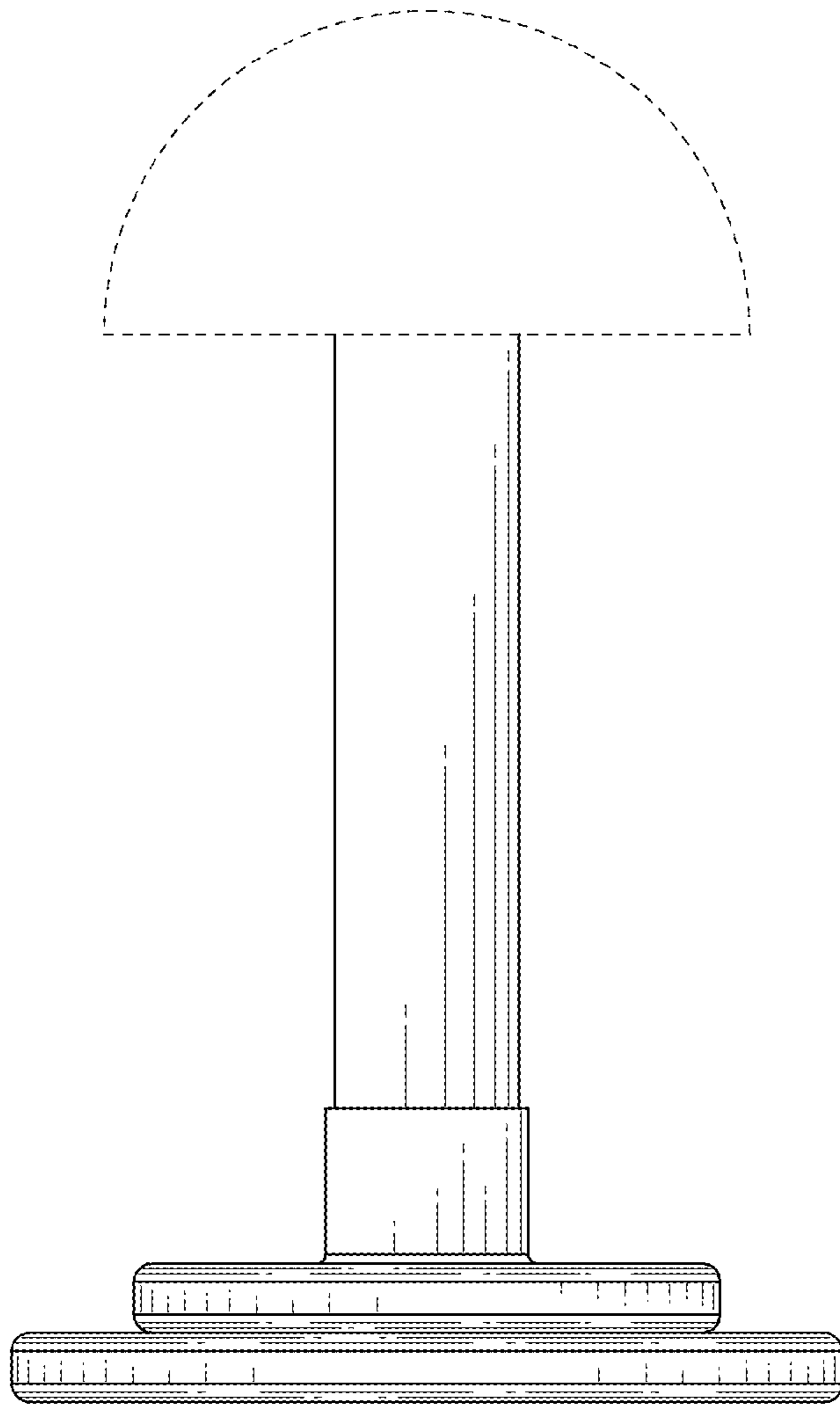


FIG.3

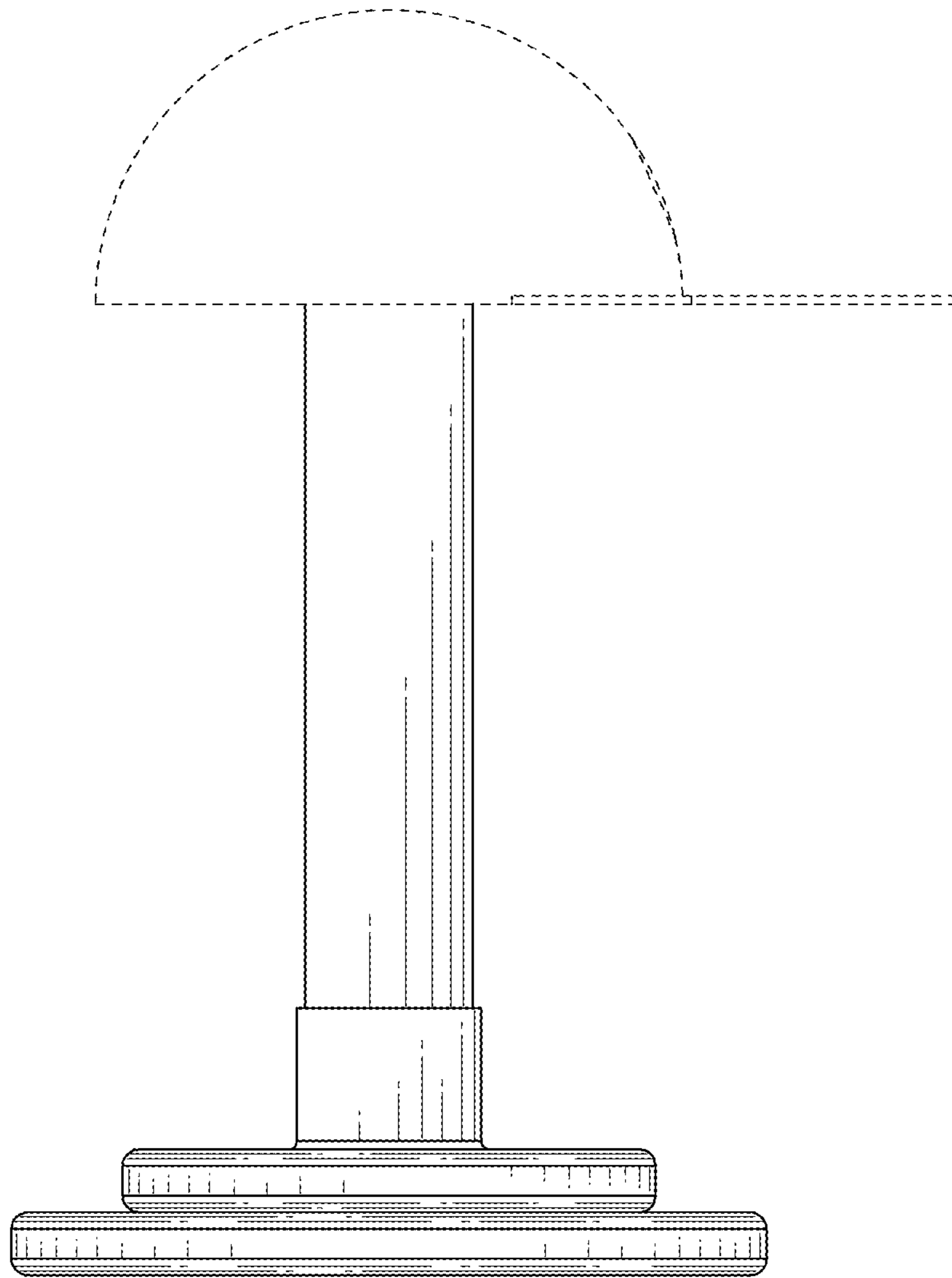


FIG.4

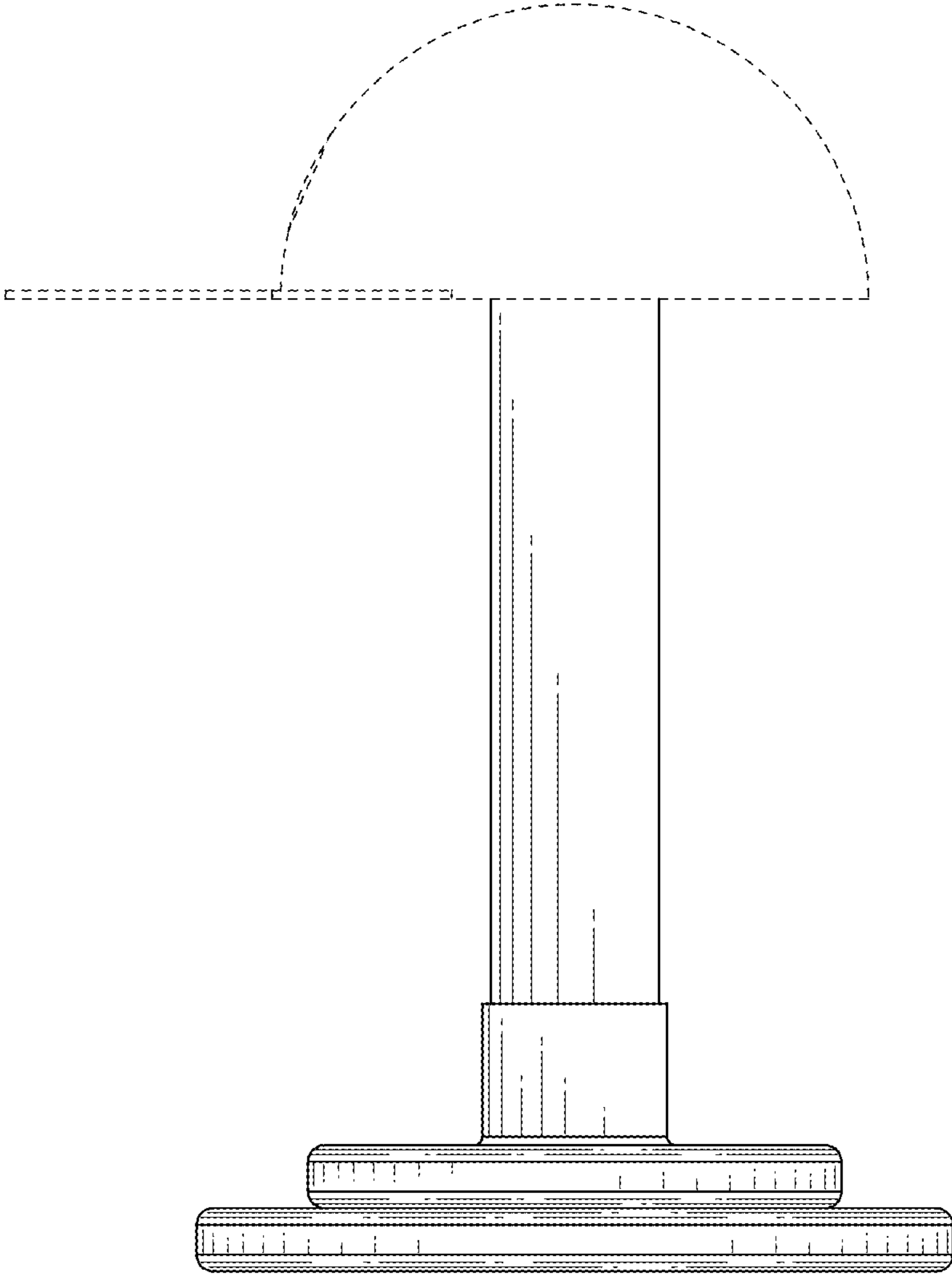


FIG.5

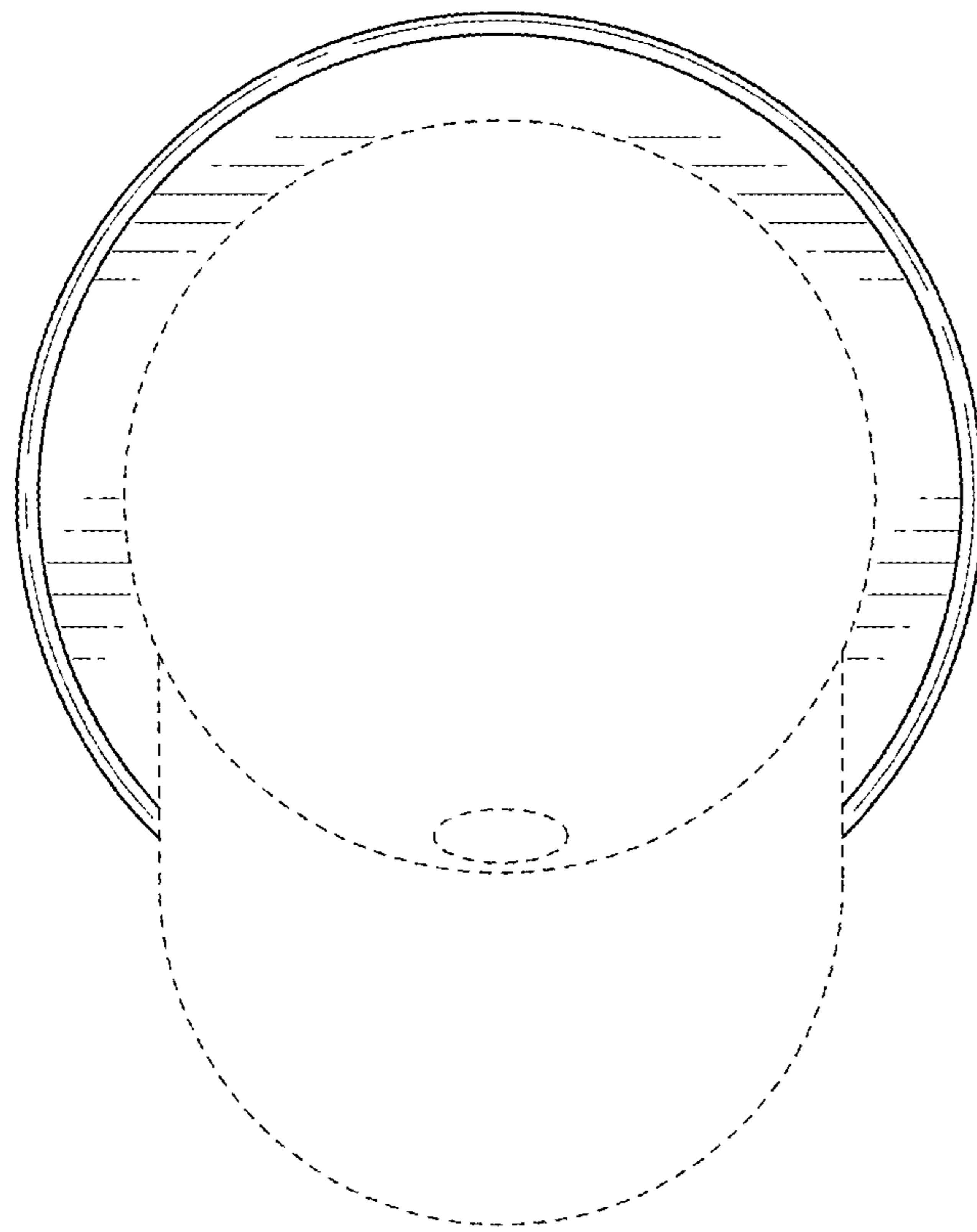


FIG.6

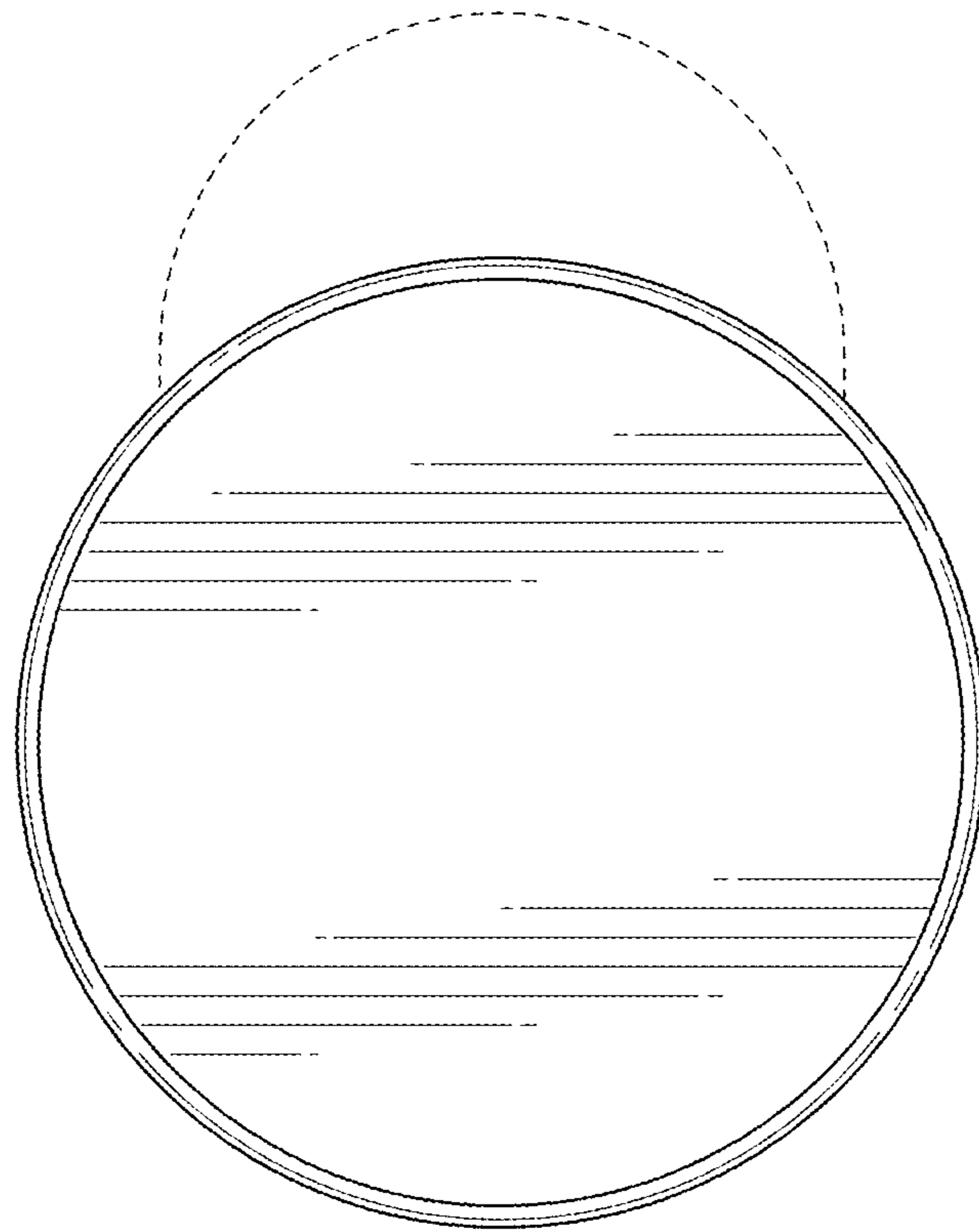


FIG.7

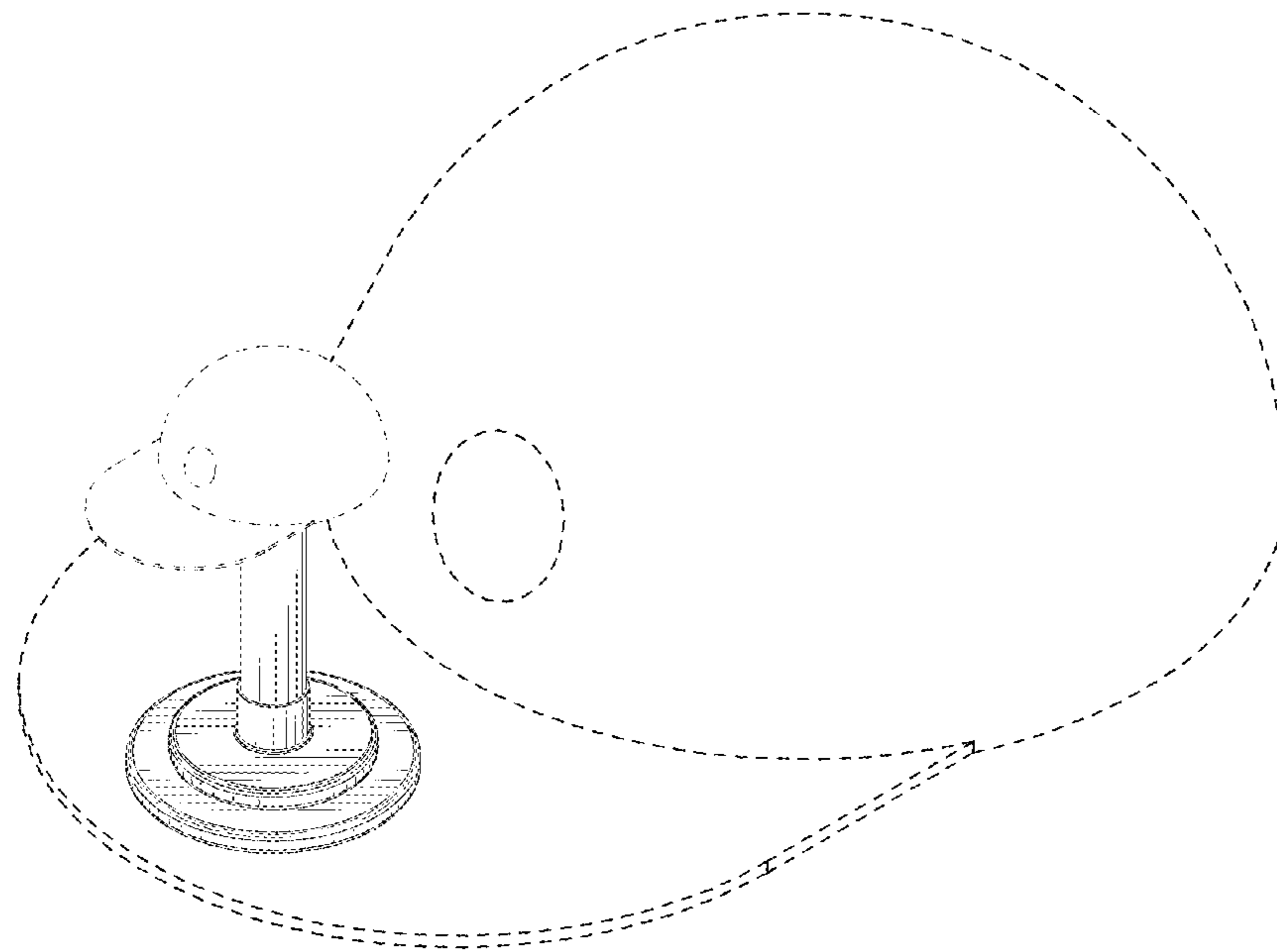


FIG.8