



US00D981149S

(12) **United States Design Patent**  
**Wu**

(10) **Patent No.:** **US D981,149 S**

(45) **Date of Patent:** **\*\* Mar. 21, 2023**

(54) **SHOE RACK**

(71) Applicant: **Zhuoran Wu**, Honghu (CN)

(72) Inventor: **Zhuoran Wu**, Honghu (CN)

(\*\*) Term: **15 Years**

(21) Appl. No.: **29/840,564**

(22) Filed: **May 31, 2022**

(51) **LOC (14) Cl.** ..... **06-04**

(52) **U.S. Cl.**

USPC ..... **D6/675.2**

(58) **Field of Classification Search**

USPC ..... D6/523, 708.16, 675.2, 330, 334, 335,  
D6/336, 337, 338, 349, 350, 351, 352,  
D6/353, 370, 691-691.1

CPC ..... A47B 47/00; A47B 47/021; A47F 7/08  
See application file for complete search history.

(56) **References Cited**

**U.S. PATENT DOCUMENTS**

1,927,997	A *	9/1933	Turner	.....	A47F 7/08
					211/38
2,276,141	A *	3/1942	Atkinson	.....	A47L 23/20
					211/37
D397,563	S *	9/1998	Walters-Dowding	.....	D6/708.16
D412,075	S *	7/1999	Gingrich	.....	D6/675.1
D473,733	S	4/2003	Malik		
D488,003	S	4/2004	Malik		
D594,252	S *	6/2009	Gehring	.....	D6/675.2
D598,218	S	8/2009	Siege		
D626,356	S *	11/2010	Ho	.....	D6/675.2
D680,775	S	4/2013	Xin		
D690,965	S *	10/2013	Goodman	.....	D6/675.5
D723,309	S *	3/2015	Goodman	.....	D6/675.5
D730,664	S *	6/2015	Klein	.....	D6/675.1
D734,966	S *	7/2015	Greenspon	.....	D6/675.2

(Continued)

**OTHER PUBLICATIONS**

Portis Shoe Rack, available in ikea.com, earliest available date Mar. 3, 2008 [online], Retrieved on Oct. 6, 2022 from URL: <https://www.ikea.com/au/en/p/portis-shoe-rack-black-30181117/> (Year: 2008).\*

*Primary Examiner* — Vy N Koenig

*Assistant Examiner* — Michelle M Reeves

(74) *Attorney, Agent, or Firm* — Runit Ranjit Kanakia

(57) **CLAIM**

The ornamental design for a shoe rack, as shown and described.

**DESCRIPTION**

FIG. 1 is a perspective view of a shoe rack showing my new design;

FIG. 2 is another perspective view thereof;

FIG. 3 is a front elevational view, with the rear elevational view being a mirror image thereof;

FIG. 4 is a left elevational view, with the right side view being a mirror image thereof;

FIG. 5 is a top plan view thereof;

FIG. 6 is a bottom plan view thereof;

FIG. 7 is an enlarged detailed view of the encircled portion marked "FIG. 7" in FIG. 1;

FIG. 8 is an enlarged detailed view of the encircled portion marked "FIG. 8" in FIG. 1;

FIG. 9 is an enlarged detailed view of the encircled portion marked "FIG. 9" in FIG. 1;

FIG. 10 is an enlarged detailed view of the encircled portion marked "FIG. 10" in FIG. 2;

FIG. 11 is a perspective view, showing the use environment of a shoe rack overlay;

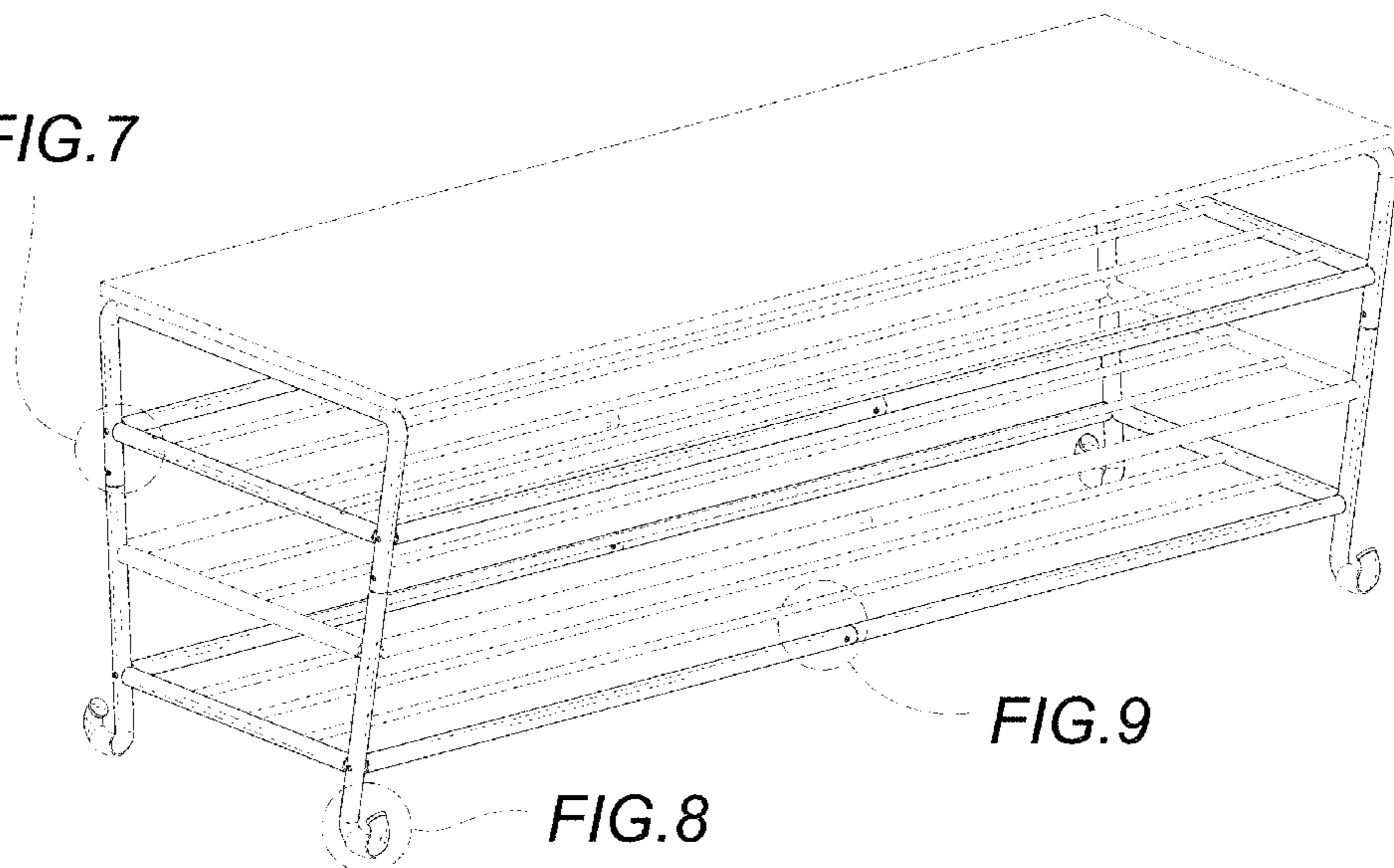
FIG. 12 is a perspective view, showing the use environment of a shoe rack; and,

FIG. 13 is an enlarged detailed view of the encircled portion marked "FIG. 13" in FIG. 12.

The broken lines in the figures depict environmental subject matter and portions of the shoe rack that form no part of the claimed design.

**1 Claim, 11 Drawing Sheets**

**FIG.7**



(56)

**References Cited**

U.S. PATENT DOCUMENTS

D782,833	S	4/2017	Klein	
D785,995	S *	5/2017	Tsai .....	D6/705.6
D787,242	S	5/2017	Hsu	
D798,067	S	9/2017	Felsenthal	
D801,732	S *	11/2017	Schenker .....	D6/675.2
D841,374	S	2/2019	Felsenthal	
D883,719	S *	5/2020	Li .....	D6/675.1
D935,242	S	11/2021	Huang	
D939,253	S	12/2021	Huang	
2011/0290750	A1 *	12/2011	Lim .....	A47B 47/00 211/153
2020/0008577	A1 *	1/2020	Lim .....	A47B 96/063

\* cited by examiner

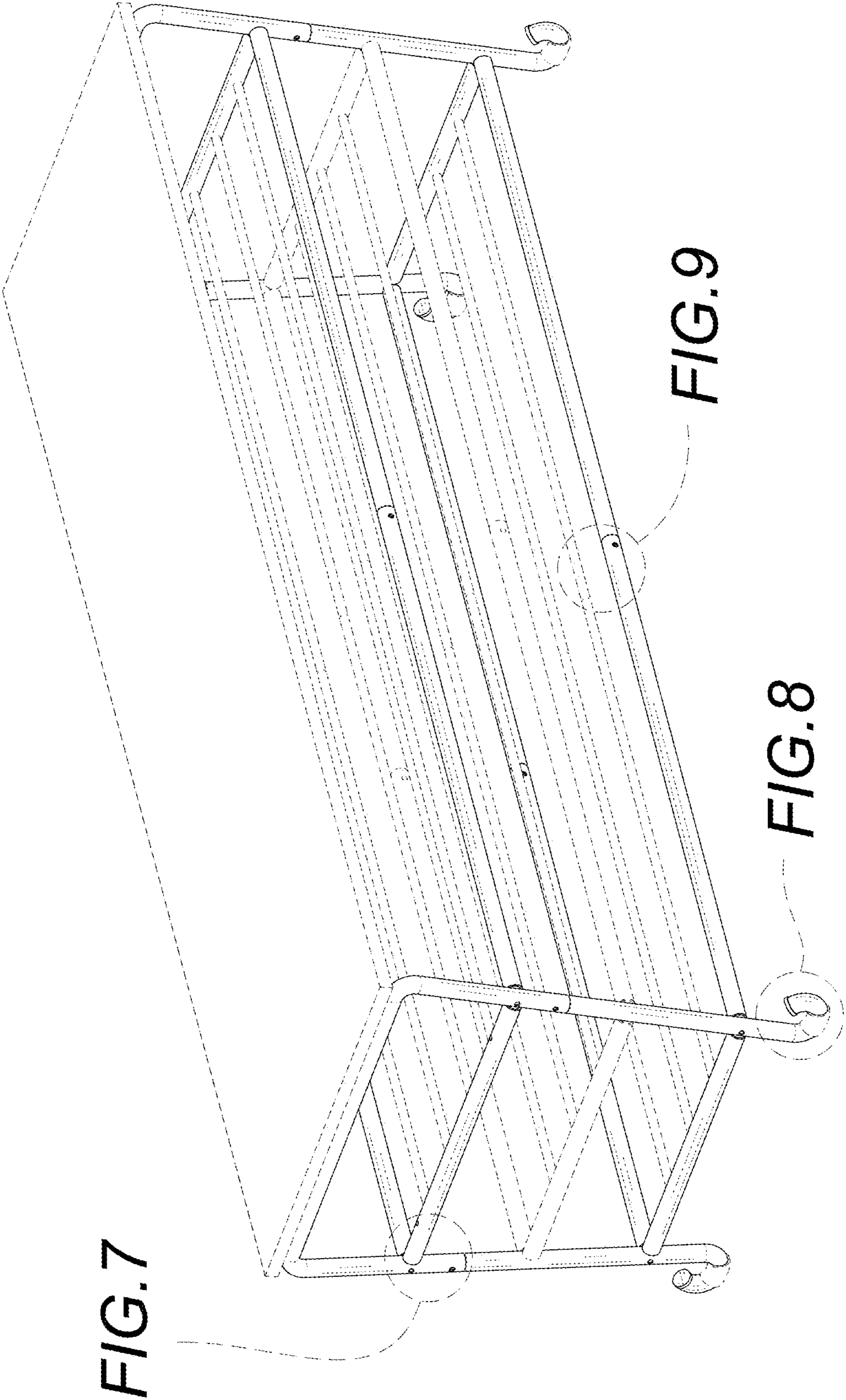


FIG. 7

FIG. 8

FIG. 9

FIG. 1



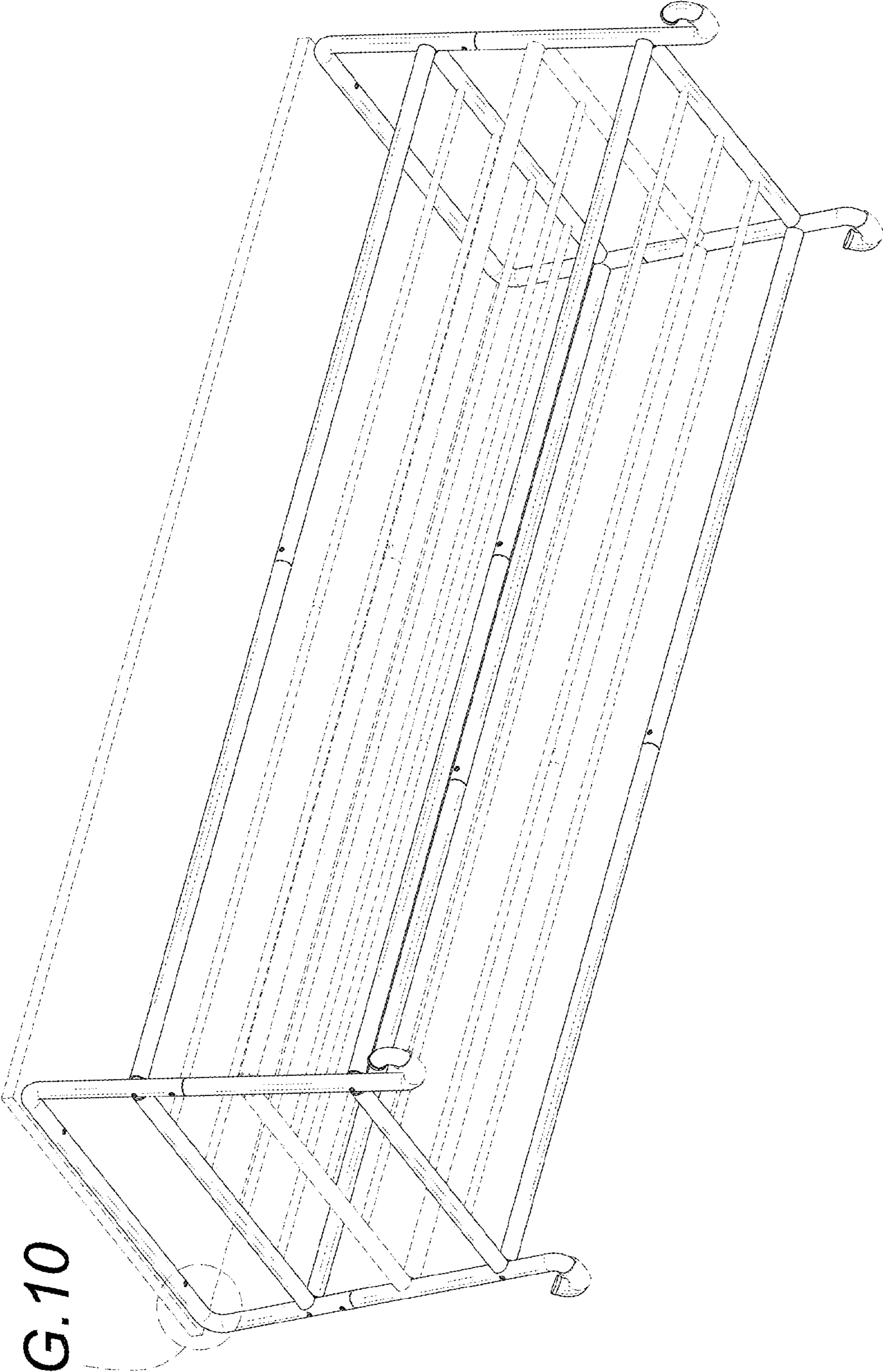


FIG.10

FIG.2

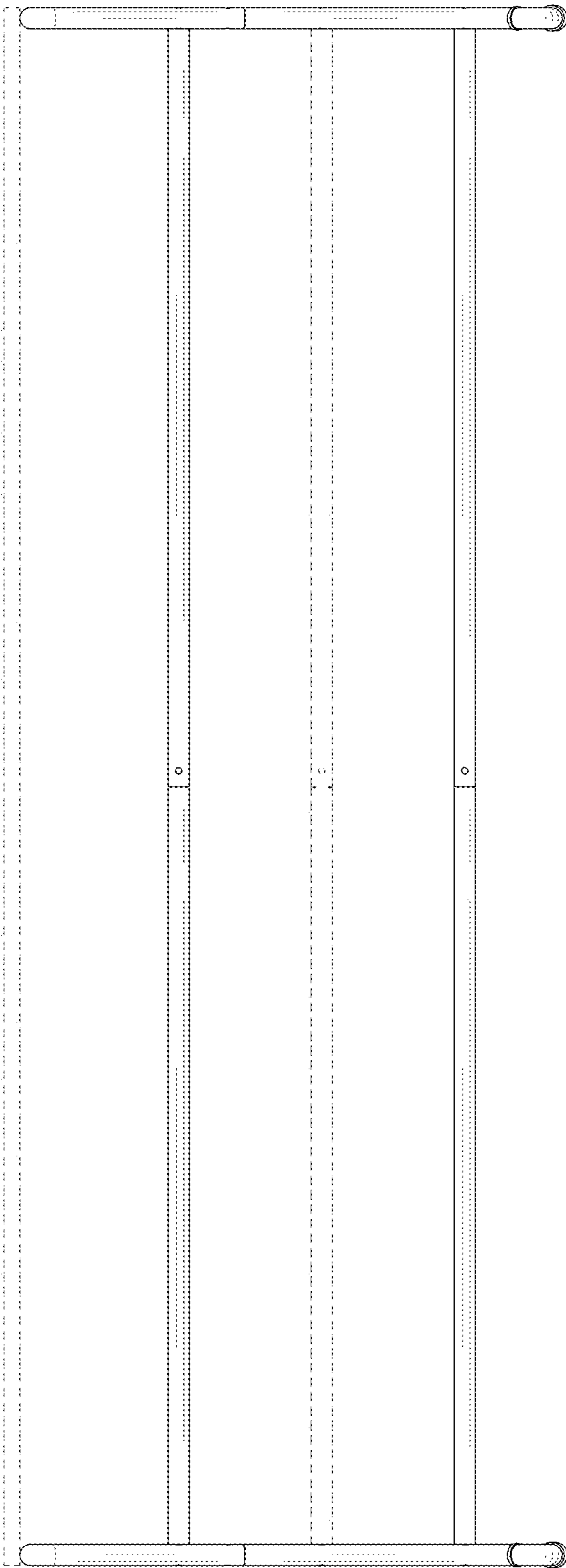


FIG. 3

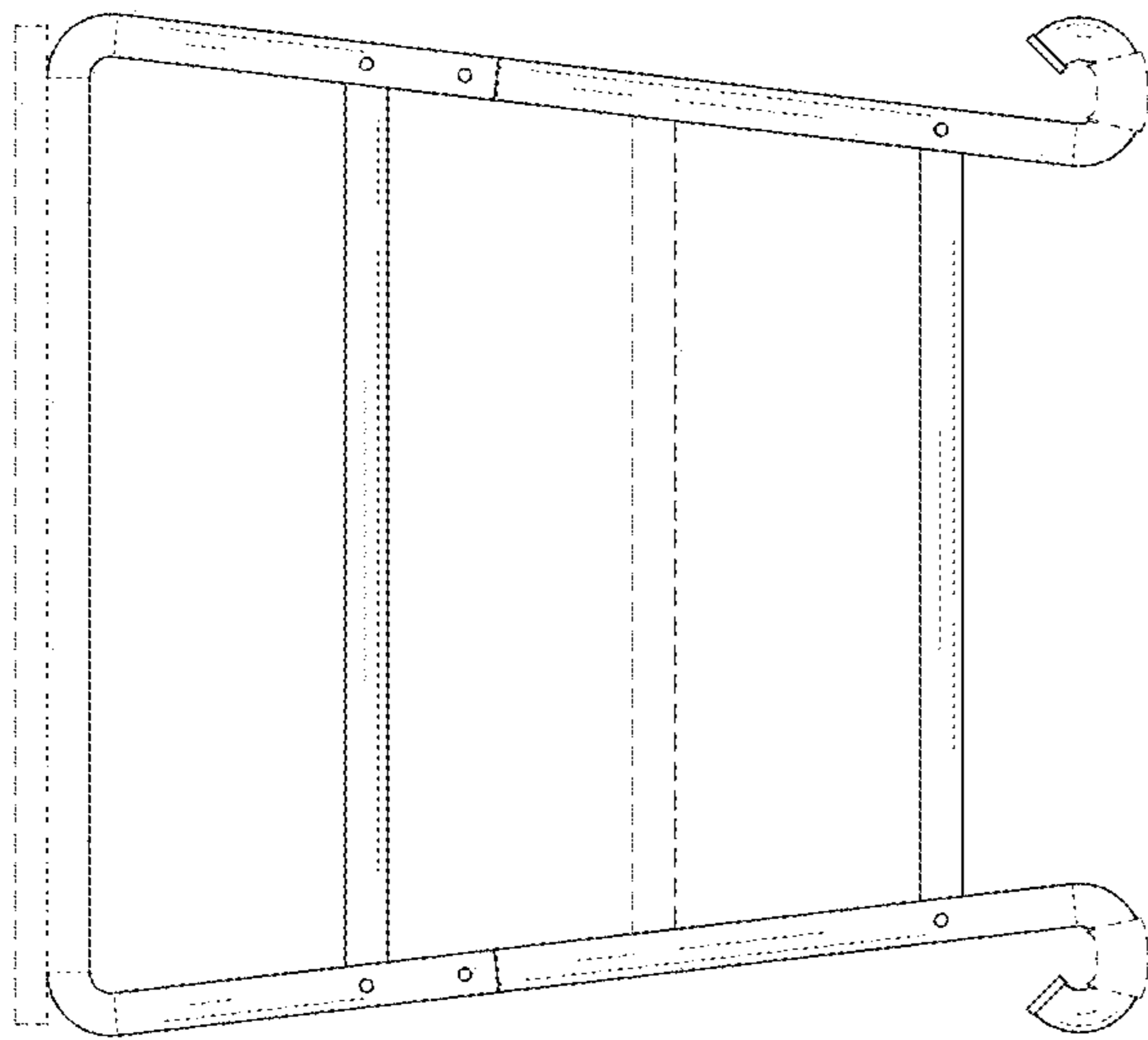
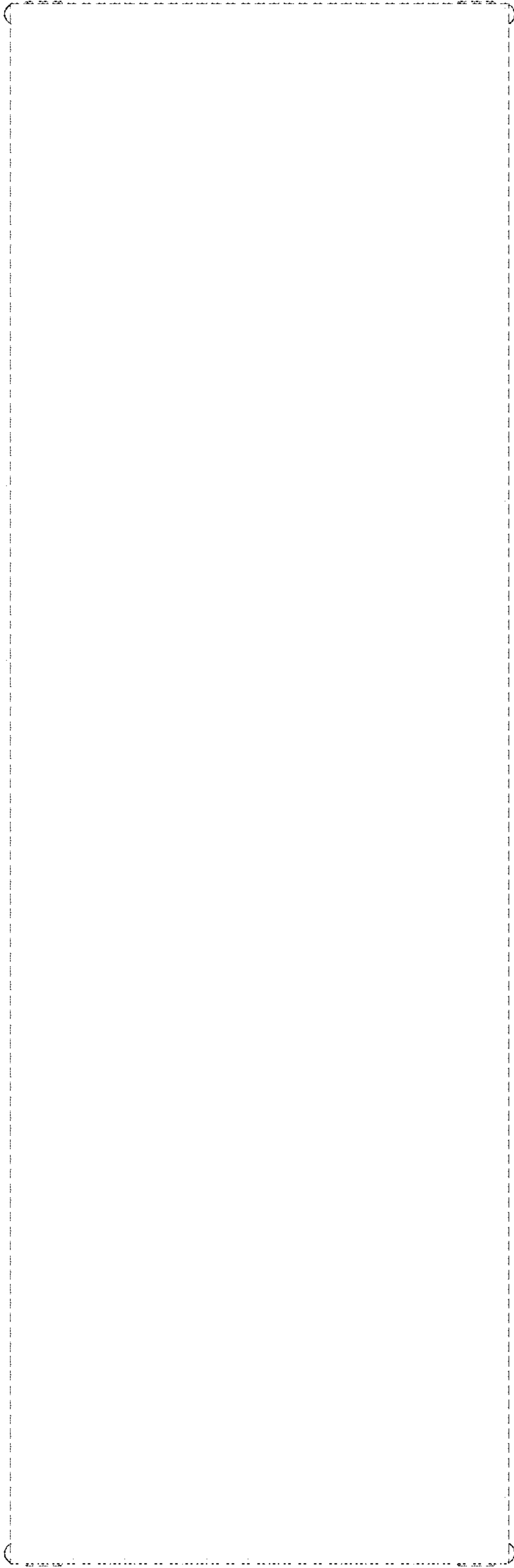


FIG. 4



**FIG. 5**

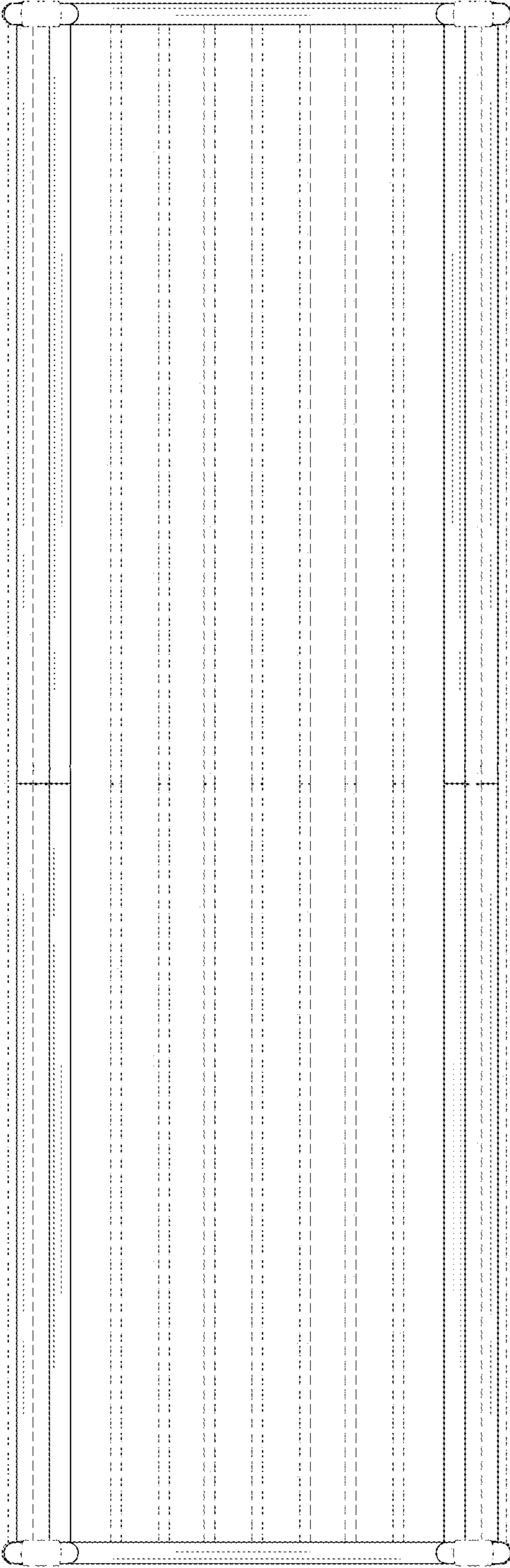


FIG. 6



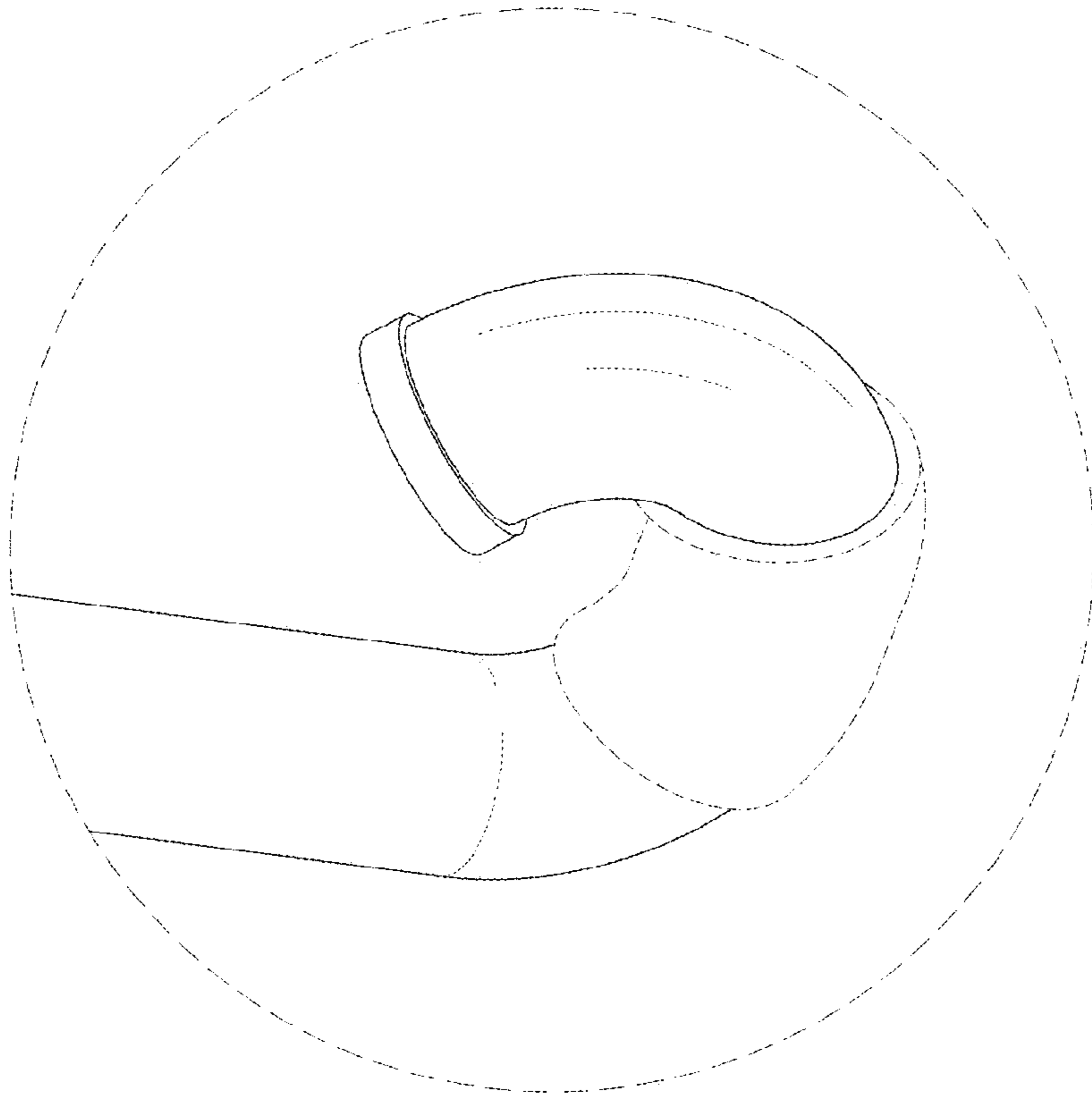


FIG. 7

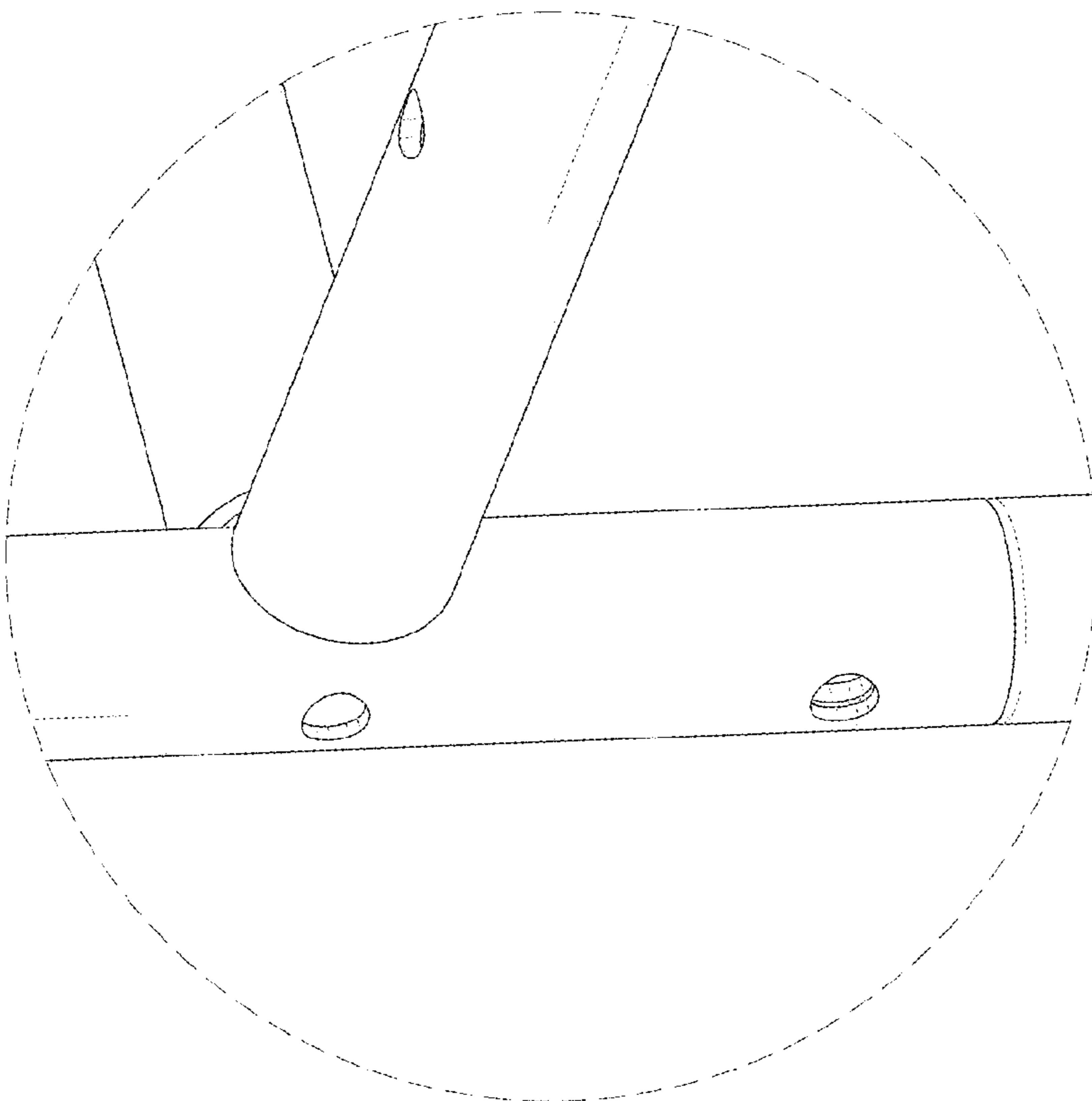


FIG. 8

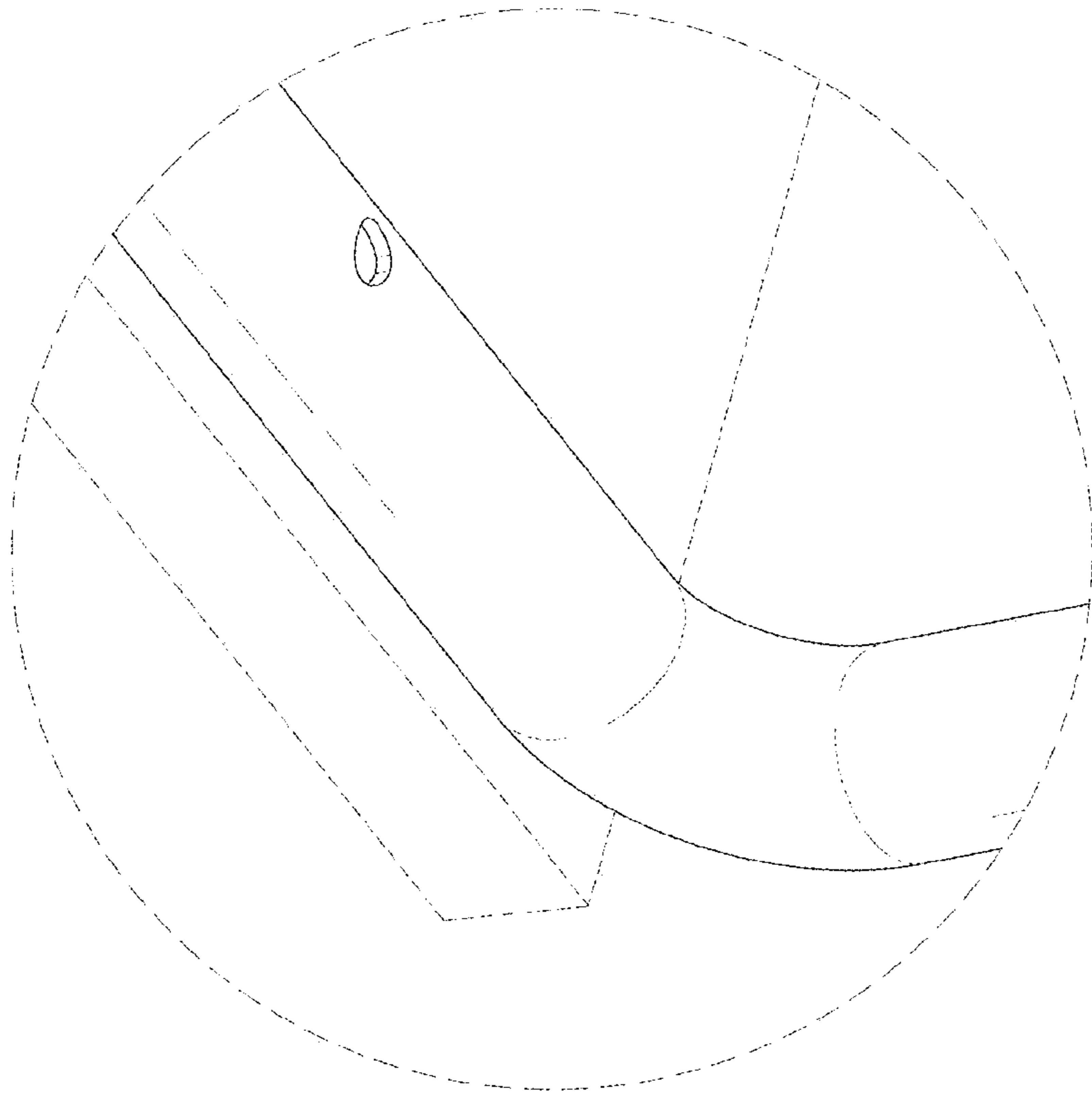


FIG. 9

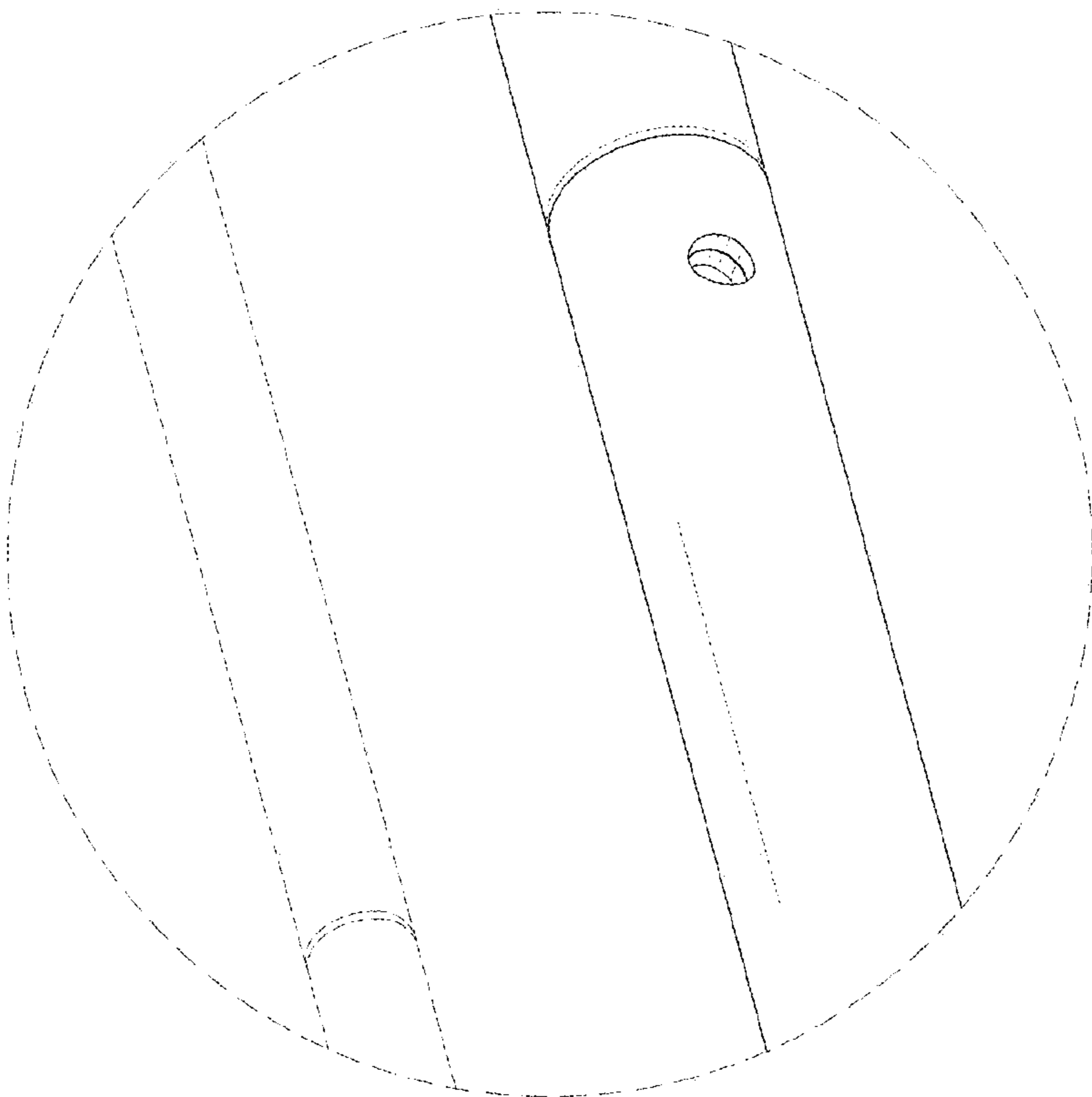


FIG. 10

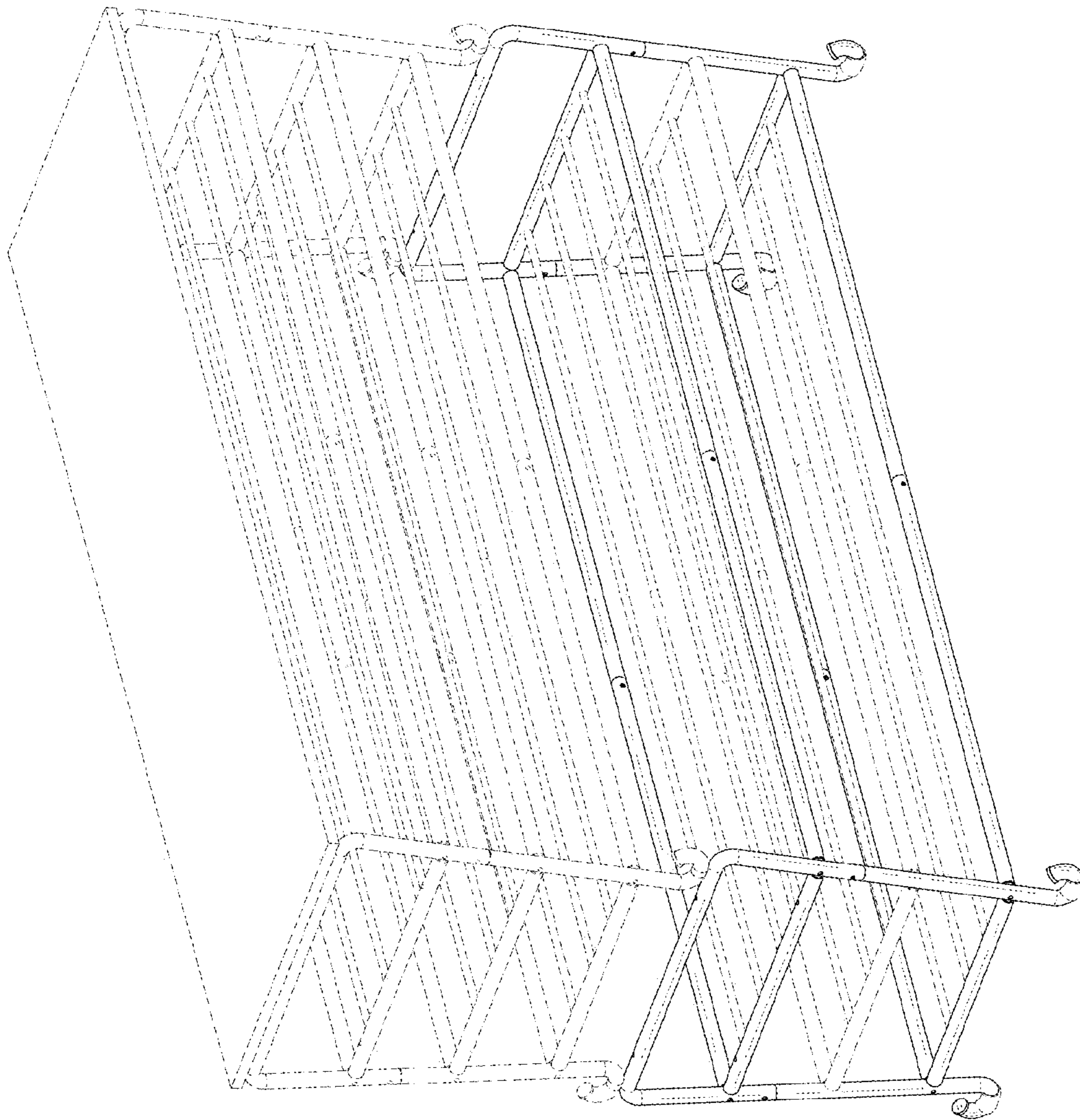


FIG. 11

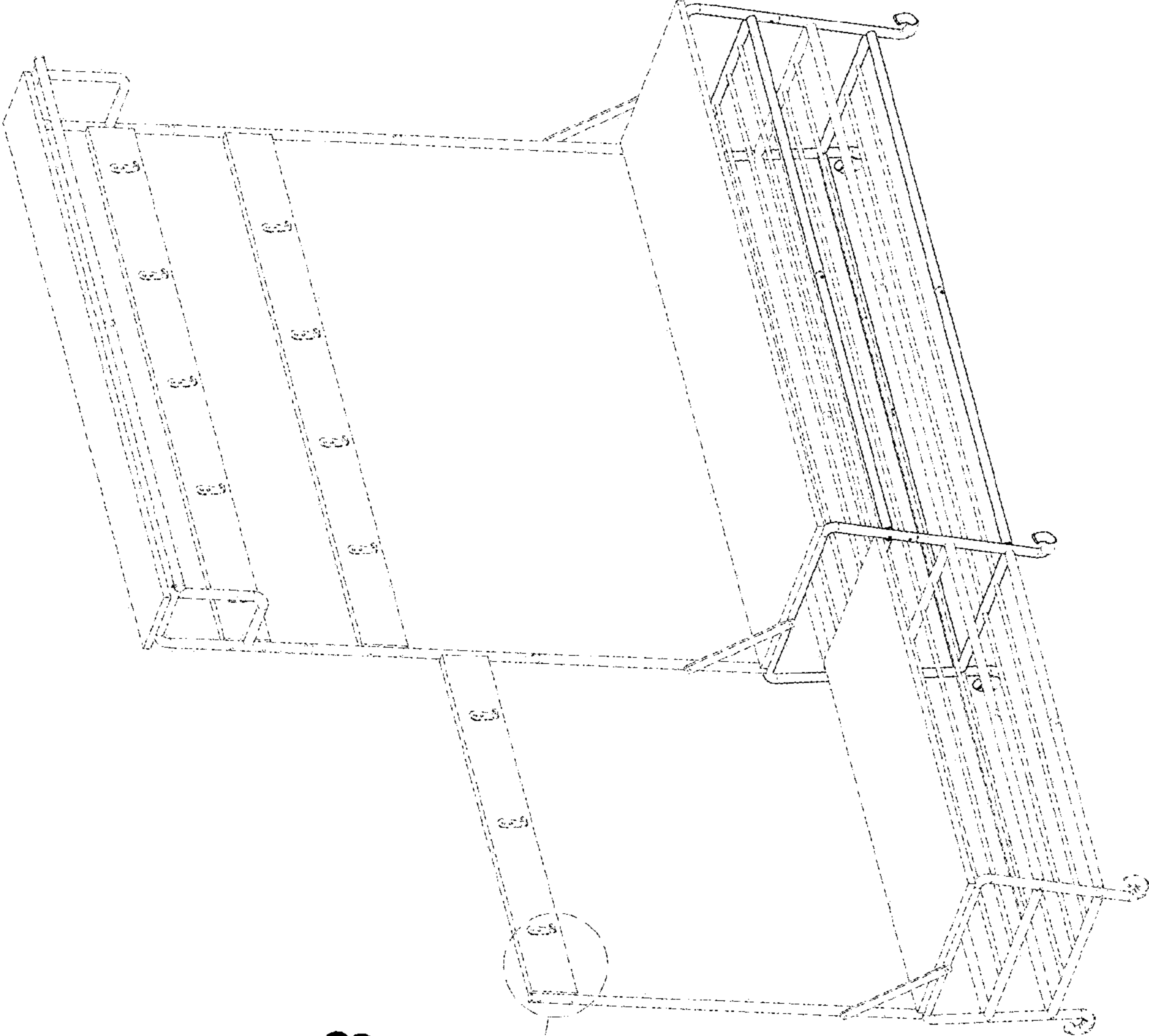


FIG.13

FIG.12

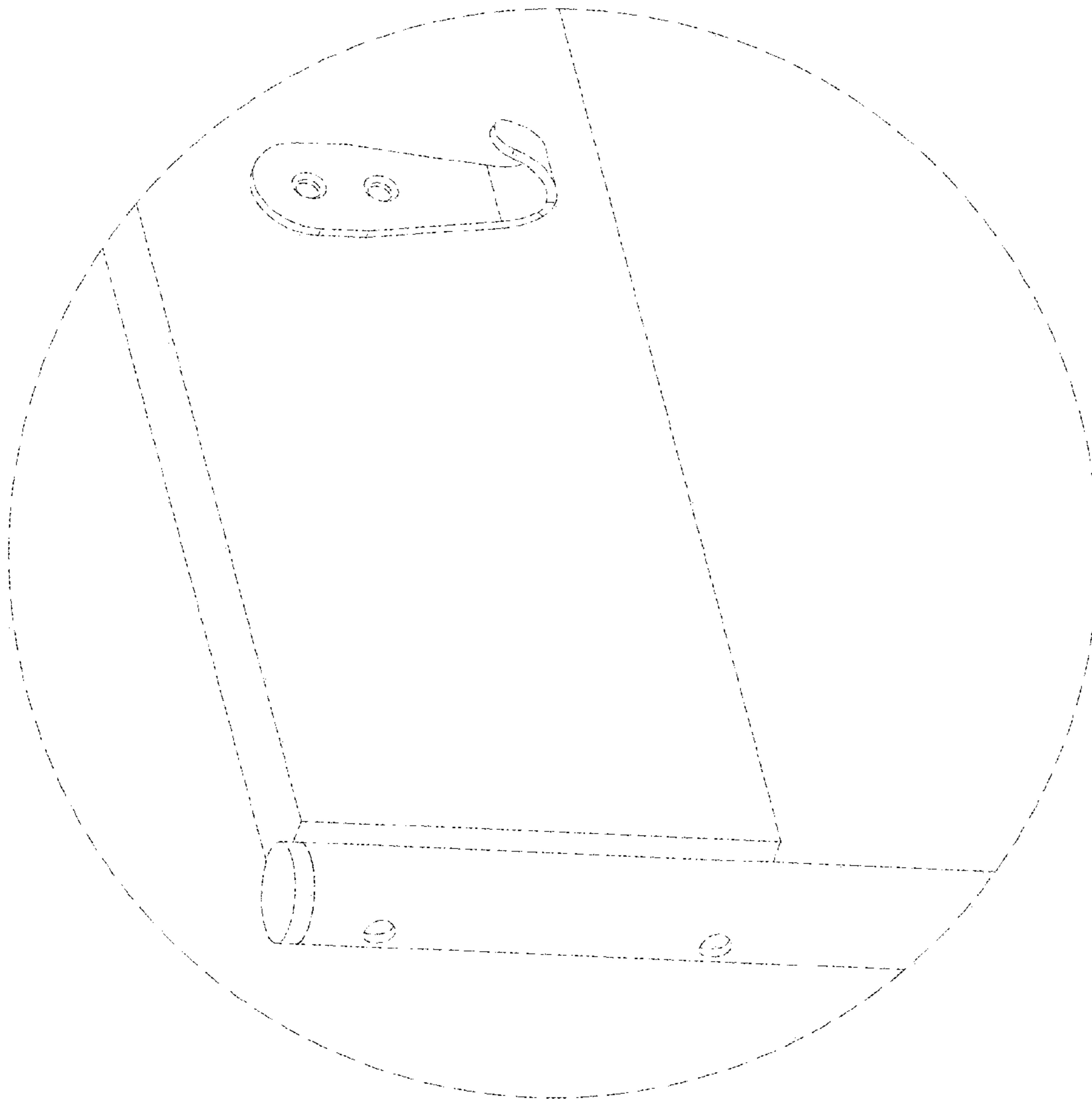


FIG. 13