



US00D981148S

(12) **United States Design Patent** (10) **Patent No.:** **US D981,148 S**  
**Stockwell et al.** (45) **Date of Patent:** **\*\* Mar. 21, 2023**

(54) **DISPLAY TRAY**  
(71) Applicant: **Apple Inc.**, Cupertino, CA (US)  
(72) Inventors: **Julien Phillip Stockwell**, San Francisco, CA (US); **Kully Kraig Mandon**, San Francisco, CA (US); **David Kahl Peschel**, San Carlos, CA (US); **Christopher M. Green**, Woodside, CA (US)  
(73) Assignee: **Apple Inc.**, Cupertino, CA (US)  
(\*\*) Term: **15 Years**  
(21) Appl. No.: **29/743,043**  
(22) Filed: **Jul. 17, 2020**  
(51) **LOC (14) Cl.** ..... **06-04**  
(52) **U.S. Cl.**  
USPC ..... **D6/675**; D6/682.2  
(58) **Field of Classification Search**  
USPC ..... D6/512, 513, 524, 525, 527, 553, 566, D6/567, 572, 573, 574, 707.16, 682.2, D6/675; D7/550.1, 552.1, 553.1, 553.2, D7/553.3, 553.4, 553.5, 553.6, 553.7, D7/554.2, 554.3, 554.4; D23/304; D3/304, 313, 901; D9/760, 456  
CPC . A47K 3/00; A47K 3/004; A47K 1/09; A47K 1/08  
See application file for complete search history.

(56) **References Cited**  
U.S. PATENT DOCUMENTS  
D22,290 S 3/1893 Burnworth  
D168,664 S 1/1953 Van Dyke  
2,777,626 A \* 1/1957 French ..... D21J 3/00  
D9/425  
3,324,999 A 6/1967 Farquhar  
3,347,445 A 10/1967 Wood  
3,802,555 A 4/1974 Grasty et al.  
3,850,333 A 11/1974 Reichert  
D237,315 S 10/1975 Nowakowski et al.

D237,317 S 10/1975 Norkowski et al.  
3,931,923 A 1/1976 Thurston  
4,085,845 A 4/1978 Perfect  
D248,731 S 8/1978 Ogawa  
D255,310 S 6/1980 Spencer  
D264,168 S 5/1982 Teuber et al.  
(Continued)

**FOREIGN PATENT DOCUMENTS**

CN 306796135 \* 8/2021  
DE M9802739-0005 11/1998  
DE M9802739-0006 11/1998  
DE M9802739-0007 11/1998  
GB 6113210 \* 1/2021

**OTHER PUBLICATIONS**

Nomad Tray. Skagerak (online) 8 pgs. Available May 13, 2019. [Retrieved Dec. 1, 2022] <https://www.connox.com/categories/kitchenware/trays/skagerak-nomad-tray.html> (Year: 2019).\*

(Continued)

*Primary Examiner* — Marie D. Fast Horse  
*Assistant Examiner* — Jennifer Sierra Yosinski  
(74) *Attorney, Agent, or Firm* — Sterne, Kessler, Goldstein & Fox P.L.L.C.

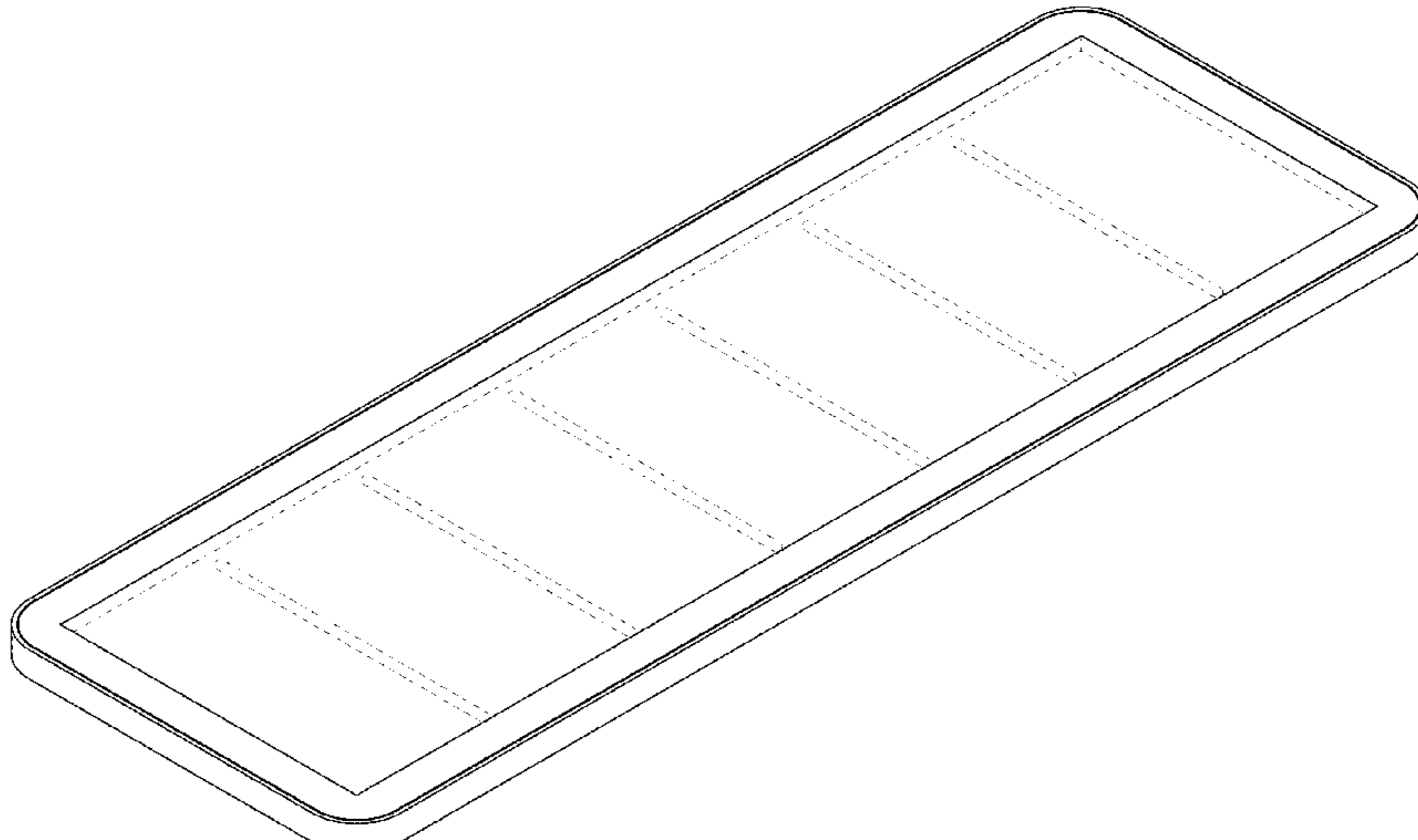
(57) **CLAIM**

The ornamental design for a display tray, as shown and described.

**DESCRIPTION**

FIG. 1 is a top perspective view of a display tray showing the claimed design;  
FIG. 2 is a front view thereof;  
FIG. 3 is a rear view thereof;  
FIG. 4 is a left view thereof;  
FIG. 5 is a right side view thereof;  
FIG. 6 is a top view thereof; and,  
FIG. 7 is a bottom view thereof.  
The broken lines in the figures show portions of the display tray that form no part of the claimed design.

**1 Claim, 4 Drawing Sheets**



(56)

References Cited

U.S. PATENT DOCUMENTS

4,432,456 A 2/1984 Ovadia et al.  
 D280,290 S 8/1985 Bakus  
 D294,459 S 3/1988 Wendel  
 4,739,353 A 4/1988 Heuer et al.  
 4,825,550 A 5/1989 Pace  
 D310,488 S 9/1990 Callinan  
 4,993,547 A 2/1991 Pallasch et al.  
 D318,420 S 7/1991 Amelse  
 D320,909 S 10/1991 Szablak et al.  
 D323,245 S 1/1992 Hobson  
 D323,986 S 2/1992 Ferrero  
 D324,651 S 3/1992 Kaneko  
 D339,059 S 9/1993 Koehler  
 D339,287 S 9/1993 Levin  
 D339,523 S 9/1993 Bennett  
 5,295,580 A 3/1994 Hicks  
 D367,191 S 2/1996 Yaffe  
 D369,469 S 5/1996 Gregory  
 D369,548 S 5/1996 Adams  
 D373,724 S 9/1996 Adams  
 D381,515 S 7/1997 Haynes  
 D393,543 S 4/1998 Wilkening et al.  
 D396,954 S 8/1998 Iversen et al.  
 5,826,711 A 10/1998 Ovadia  
 5,887,749 A 3/1999 Schommer et al.  
 5,950,830 A 9/1999 Trigger  
 5,967,327 A 10/1999 Jones  
 D419,772 S 2/2000 Williams  
 D435,215 S 12/2000 Guzman  
 6,212,705 B1\* 4/2001 Kramer ..... A47K 3/004  
 108/42  
 6,302,274 B1 10/2001 Ridgeway  
 6,305,539 B1 10/2001 Sanders, Jr.  
 D453,309 S 2/2002 Katz et al.  
 6,367,624 B1 4/2002 Szczepanski et al.  
 D457,371 S 5/2002 Grassman  
 6,874,619 B1 4/2005 Hawkes  
 D504,563 S 5/2005 Broussard et al.  
 D506,744 S 6/2005 Andre et al.  
 D519,121 S\* 4/2006 Zamanian ..... D6/675  
 7,117,993 B2 10/2006 Koike  
 D557,668 S 12/2007 Sisson  
 D558,571 S 1/2008 Andre et al.  
 D558,572 S 1/2008 Andre et al.  
 D562,589 S\* 2/2008 Mellon ..... D6/675  
 D572,588 S 7/2008 Osborn et al.  
 D576,484 S 9/2008 Koza et al.  
 D582,267 S 9/2008 Andre et al.  
 D580,752 S 11/2008 Andre et al.  
 D584,142 S 1/2009 Andre et al.  
 D589,250 S 3/2009 Myers  
 D590,708 S 4/2009 Maguire et al.  
 D592,968 S 5/2009 Lee et al.  
 D595,056 S 6/2009 Pettersson  
 D596,025 S 7/2009 Mordechai  
 D596,485 S 7/2009 Andre et al.  
 D601,884 S 10/2009 Andre et al.  
 D606,855 S 12/2009 Jo et al.  
 D616,738 S 1/2010 Andre et al.  
 D616,741 S 1/2010 Andre et al.  
 D610,450 S 2/2010 Lessard  
 D615,320 S 5/2010 Griffin et al.  
 D620,352 S 7/2010 Liipola et al.  
 D620,795 S 8/2010 Andre et al.  
 D621,256 S 8/2010 Andre et al.  
 D628,825 S 12/2010 Nielsen  
 D631,558 S 1/2011 Harmston et al.  
 7,878,326 B2 2/2011 Andre et al.  
 D633,388 S 3/2011 Andre et al.  
 D634,541 S 3/2011 Gutierrez  
 D635,455 S 4/2011 Andre et al.  
 D635,853 S 4/2011 Andre et al.

D637,076 S 5/2011 Akana et al.  
 D637,596 S 5/2011 Akana et al.  
 D638,297 S 5/2011 Gelardi  
 D649,450 S 11/2011 Andre et al.  
 D658,492 S 1/2012 Akana et al.  
 D668,143 S 2/2012 Akana et al.  
 D658,654 S 5/2012 Moore et al.  
 D659,530 S 5/2012 Akana et al.  
 D660,723 S 5/2012 Akana et al.  
 D673,571 S 1/2013 Akana et al.  
 D674,709 S 1/2013 Akana et al.  
 D679,715 S 4/2013 Akana et al.  
 D685,654 S 9/2013 Akana et al.  
 D690,164 S 9/2013 Lock  
 D693,265 S 11/2013 Naha  
 D677,563 S 12/2013 Andre et al.  
 D695,632 S 12/2013 Akana et al.  
 D712,279 S 2/2014 Akana et al.  
 D702,547 S 4/2014 Akana et al.  
 D712,748 S 9/2014 Akana et al.  
 D713,738 S 9/2014 Akana et al.  
 D713,739 S 9/2014 Akana et al.  
 D713,740 S 9/2014 Akana et al.  
 D706,643 S 10/2014 Akana et al.  
 D723,572 S 3/2015 Akana et al.  
 D728,941 S 5/2015 Stoeckmann  
 D735,131 S 7/2015 Akana et al.  
 D736,404 S 8/2015 Priebe et al.  
 D737,157 S 8/2015 Akana et al.  
 D746,637 S 1/2016 Mairinger  
 D751,291 S\* 3/2016 MacNeil ..... D3/304  
 D764,285 S 8/2016 Akana et al.  
 D764,910 S 8/2016 Akana et al.  
 D766,664 S 9/2016 Wilson et al.  
 D767,309 S 9/2016 Akana et al.  
 D767,341 S\* 9/2016 Koempel ..... D7/554.3  
 D769,653 S 10/2016 Peltosaari  
 D770,232 S\* 11/2016 Brown ..... D7/554.3  
 D778,161 S 2/2017 Anderson et al.  
 D783,285 S 4/2017 Hecht et al.  
 D793,856 S 8/2017 Akana et al.  
 D796,908 S 9/2017 Dennis  
 D802,970 S\* 11/2017 Henonin ..... D6/675  
 D805,921 S 12/2017 Torchin et al.  
 D812,616 S 3/2018 Potash  
 9,914,555 B2 3/2018 Korinek  
 D815,959 S 4/2018 Torchin et al.  
 D820,623 S 6/2018 Akana et al.  
 10,081,485 B2 9/2018 Cernokus et al.  
 D834,821 S\* 12/2018 McKenna ..... D3/304  
 D861,399 S 10/2019 Vuong  
 D871,158 S\* 12/2019 Redjal ..... D7/584  
 D873,660 S 1/2020 Akana et al.  
 D873,829 S 1/2020 Akana et al.  
 D879,519 S 3/2020 Schwalbach et al.  
 D891,158 S 7/2020 Gady et al.  
 D897,746 S\* 10/2020 Gady ..... D6/682.1  
 D904,088 S\* 12/2020 Gady ..... D6/682.2  
 D939,256 S\* 12/2021 Gady ..... D6/682.2  
 2003/0102244 A1 6/2003 Sanders, Jr.  
 2004/0045867 A1 3/2004 Appelbaum  
 2006/0266672 A1 11/2006 Young  
 2009/0205988 A1 8/2009 Edwards et al.  
 2009/0242454 A1 10/2009 Musse  
 2010/0078343 A1 4/2010 Hoellwarth et al.  
 2019/0075943 A1 3/2019 Newlin

OTHER PUBLICATIONS

Astro Tray. Normann Copenhagen (online) 5 pgs. Available Dec. 6, 2018. [Retrieved Dec. 1, 2022] <https://www.connor.co.uk/categories/cooking/trays/normann-copenhagen-astro-tray.html?itm=138034> (Year: 2018).\*

\* cited by examiner

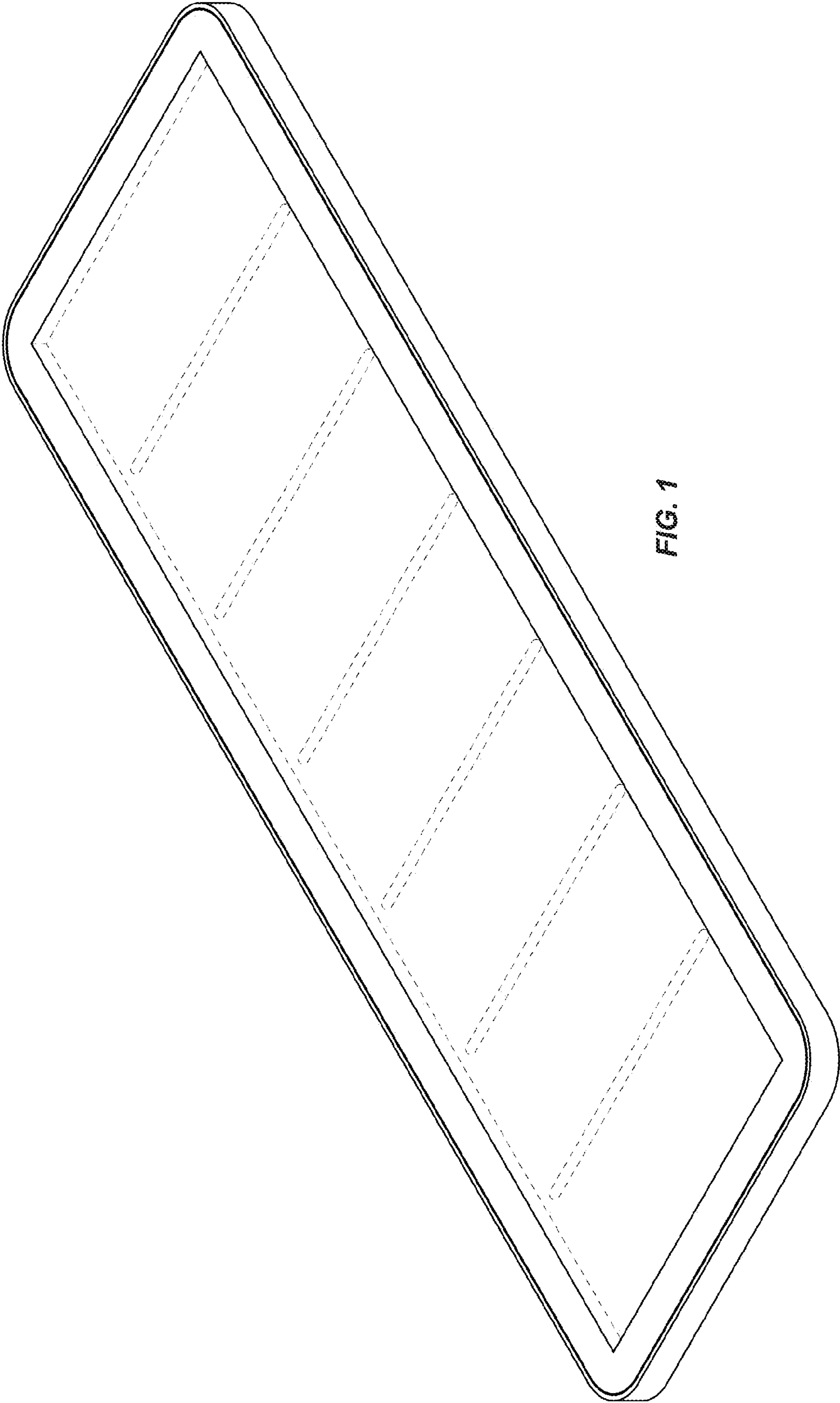


FIG. 1



FIG. 2

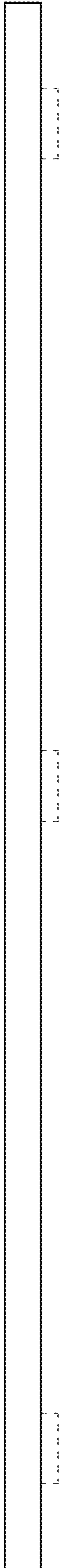


FIG. 3



FIG. 4



FIG. 5

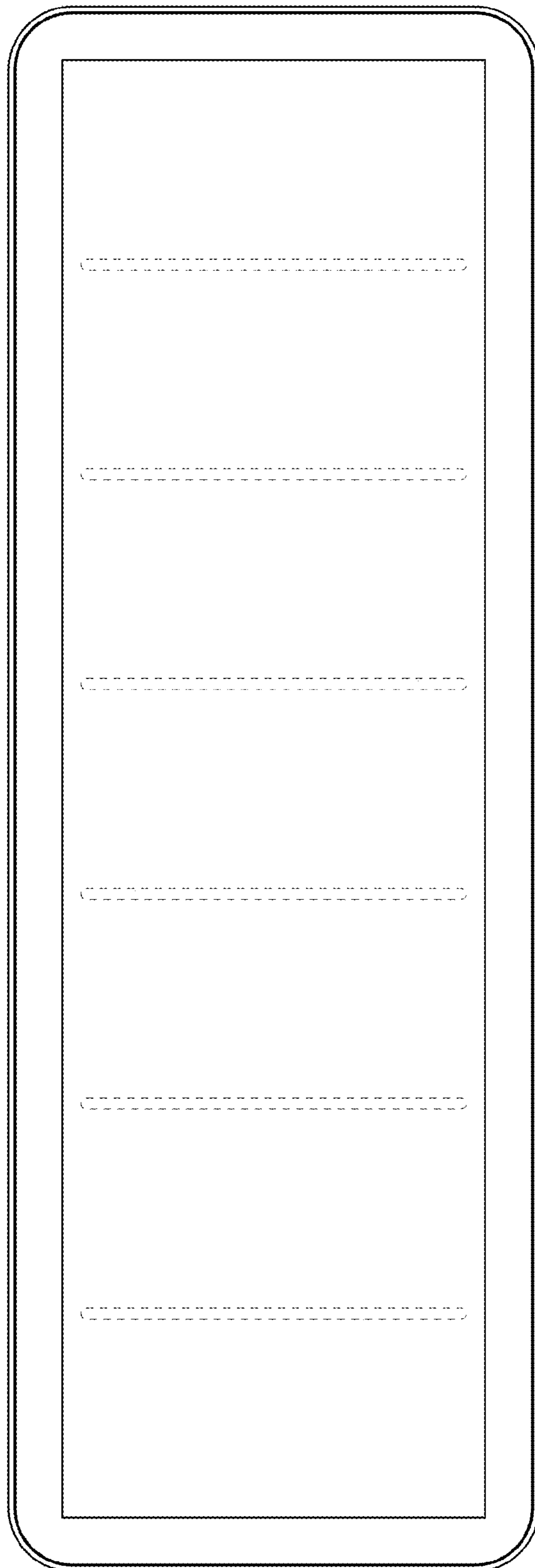


FIG. 6

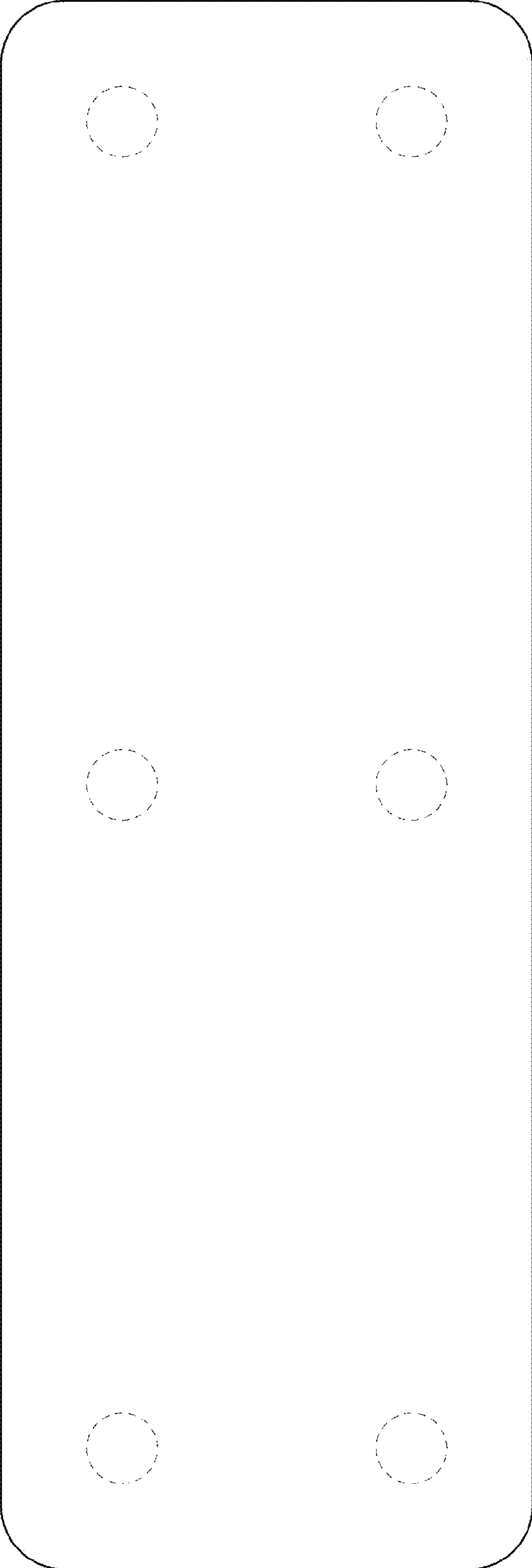


FIG. 7