



US00D981145S

(12) **United States Design Patent** (10) **Patent No.:** **US D981,145 S**
Wang (45) **Date of Patent:** **** Mar. 21, 2023**

(54) **CABINET**
(71) Applicant: **Lifeng Wang**, Luoyang (CN)
(72) Inventor: **Lifeng Wang**, Luoyang (CN)
(**) Term: **15 Years**
(21) Appl. No.: **29/830,874**
(22) Filed: **Mar. 16, 2022**
(51) **LOC (14) Cl.** **06-04**
(52) **U.S. Cl.**
USPC **D6/671.1**
(58) **Field of Classification Search**
USPC D6/663, 664, 671, 671.1, 671.2, 671.3,
D6/671.4
CPC A47B 43/003; A47B 47/02; A47B 47/04;
A47B 85/00; A47B 77/10; A47B 63/00
See application file for complete search history.

D957,169 S * 7/2022 Xiao D6/671
2009/0102332 A1 * 4/2009 Lear E05C 9/043
292/336.3
2019/0335899 A1 * 11/2019 Langbert A47B 67/005

OTHER PUBLICATIONS

Fedmax, posted at amazon.com, posted on Aug. 4, 2018, site visited Aug. 2, 2022. online, available from internet: <https://www.amazon.com/dp/B07BK8W5MF/> (Year: 2018).*
Lockers, posted at youtube.com, posted on Aug. 19, 2016, site visited Aug. 3, 2022. online, available from internet: https://www.youtube.com/watch?v=_pugi-gZ6wA (Year: 2016).*
Cabinet series, posted at youtube.com, posted on May 14, 2020, site visited Aug. 3, 2022. online, available from internet: <https://www.youtube.com/watch?v=mJqEJuCQyus> (Year: 2020).*

(Continued)

Primary Examiner — Catherine Ho

(57) **CLAIM**

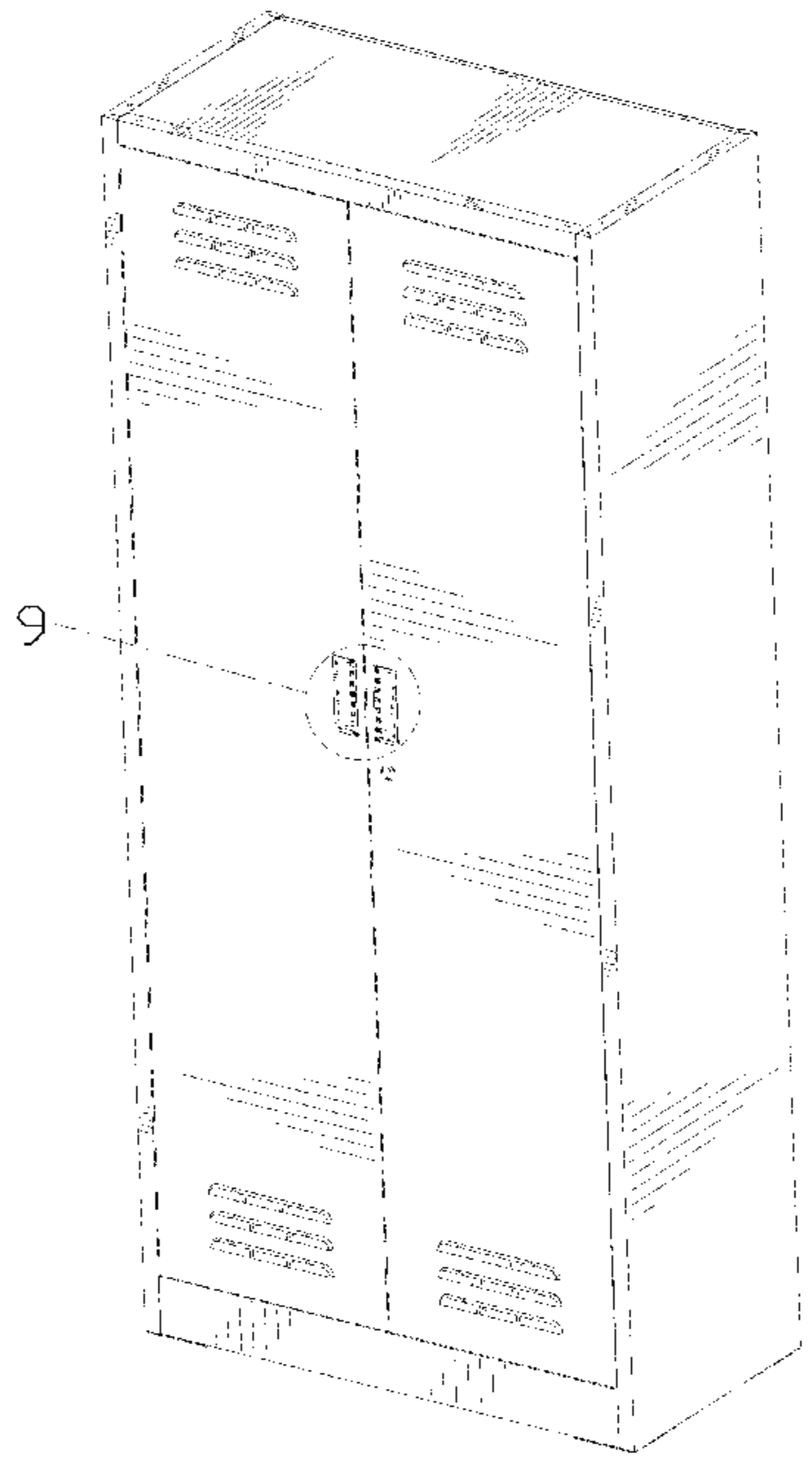
The ornamental design for a cabinet, as shown and described.

DESCRIPTION

FIG. 1 is a top perspective view of a cabinet showing my new design;
FIG. 2 is a bottom perspective view thereof;
FIG. 3 is a front elevational view thereof;
FIG. 4 is a rear elevational view thereof;
FIG. 5 is a left side elevational view thereof;
FIG. 6 is a right side elevational view thereof;
FIG. 7 is a top plan view thereof;
FIG. 8 is a bottom plan view thereof;
FIG. 9 is an enlarged view of portion 9 shown in FIG. 1; and,
FIG. 10 is an enlarged view of portion 10 shown in FIG. 3.
The dashed broken lines in the drawings depict portions of the cabinet that form no part of the claimed design.

(56) **References Cited**
U.S. PATENT DOCUMENTS
3,023,068 A * 2/1962 Haag A47B 47/03
312/351
D397,262 S * 8/1998 Thomas D6/671
D432,281 S * 10/2000 LaZar D32/6
D435,741 S * 1/2001 Schlerefh D6/671.1
D454,729 S 3/2002 Vaaler
D499,276 S * 12/2004 Grosfillex D6/671.1
6,948,787 B2 * 9/2005 McBrayer, III A47B 43/00
312/258
D559,010 S * 1/2008 Mehmen D6/671.1
D642,400 S * 8/2011 Koehn D6/668.1
D728,976 S * 5/2015 Galland D6/661
D811,132 S * 2/2018 Ni D6/671.1
D858,119 S 9/2019 Nicoll et al.
D910,345 S * 2/2021 Li D6/671.1
D944,041 S * 2/2022 Xiao D6/671

1 Claim, 10 Drawing Sheets



(56)

References Cited

OTHER PUBLICATIONS

Single door metal locker, posted at amazon.com, posted on Oct. 14, 2020, site visited Aug. 4, 2022. online, available from internet: <https://www.amazon.com/REALROOMS-Shadwick-Single-Storage-Cabinet/dp/B089T3Q65M/> (Year: 2020).*

* cited by examiner

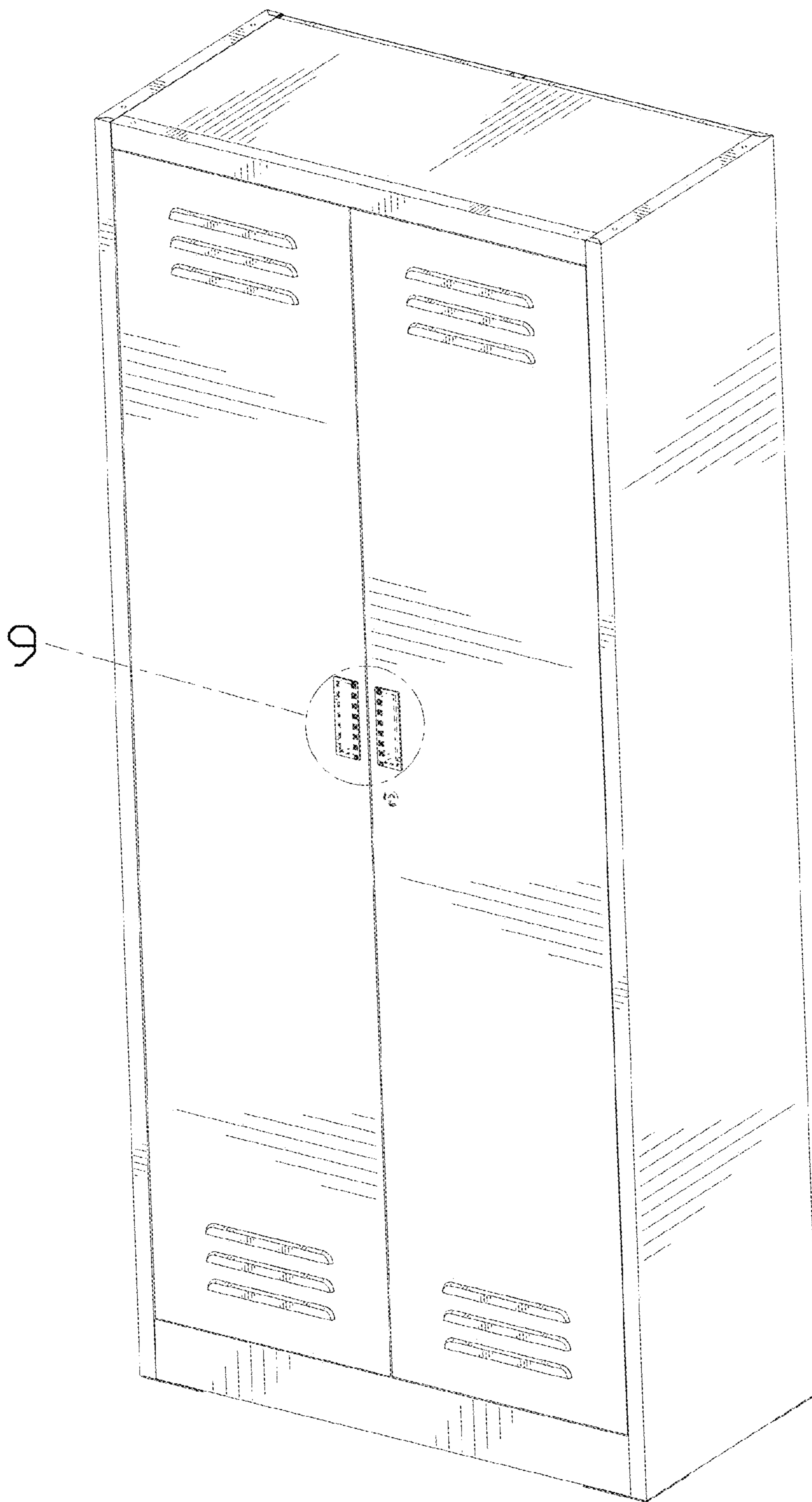


FIG. 1

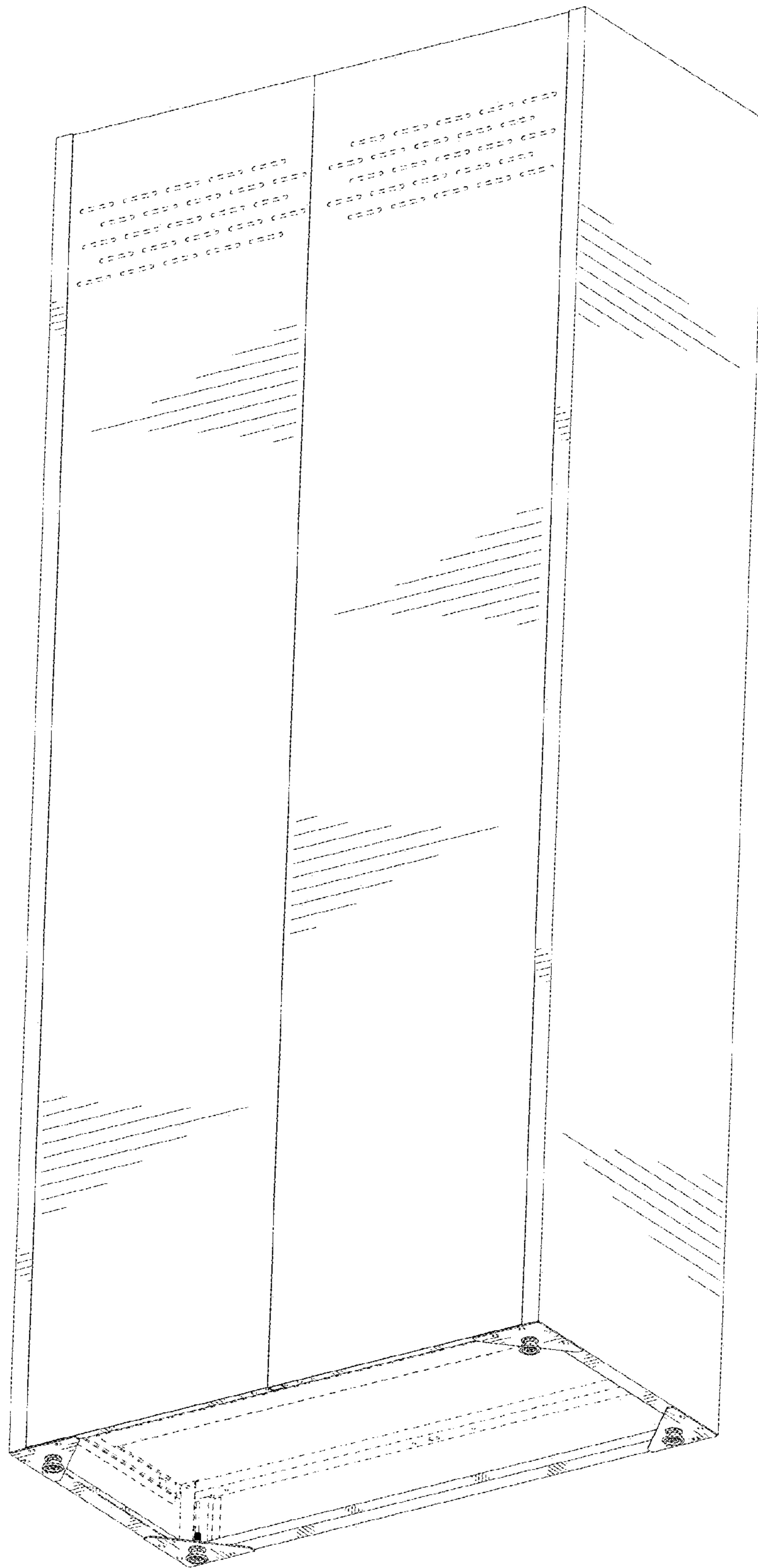


FIG. 2

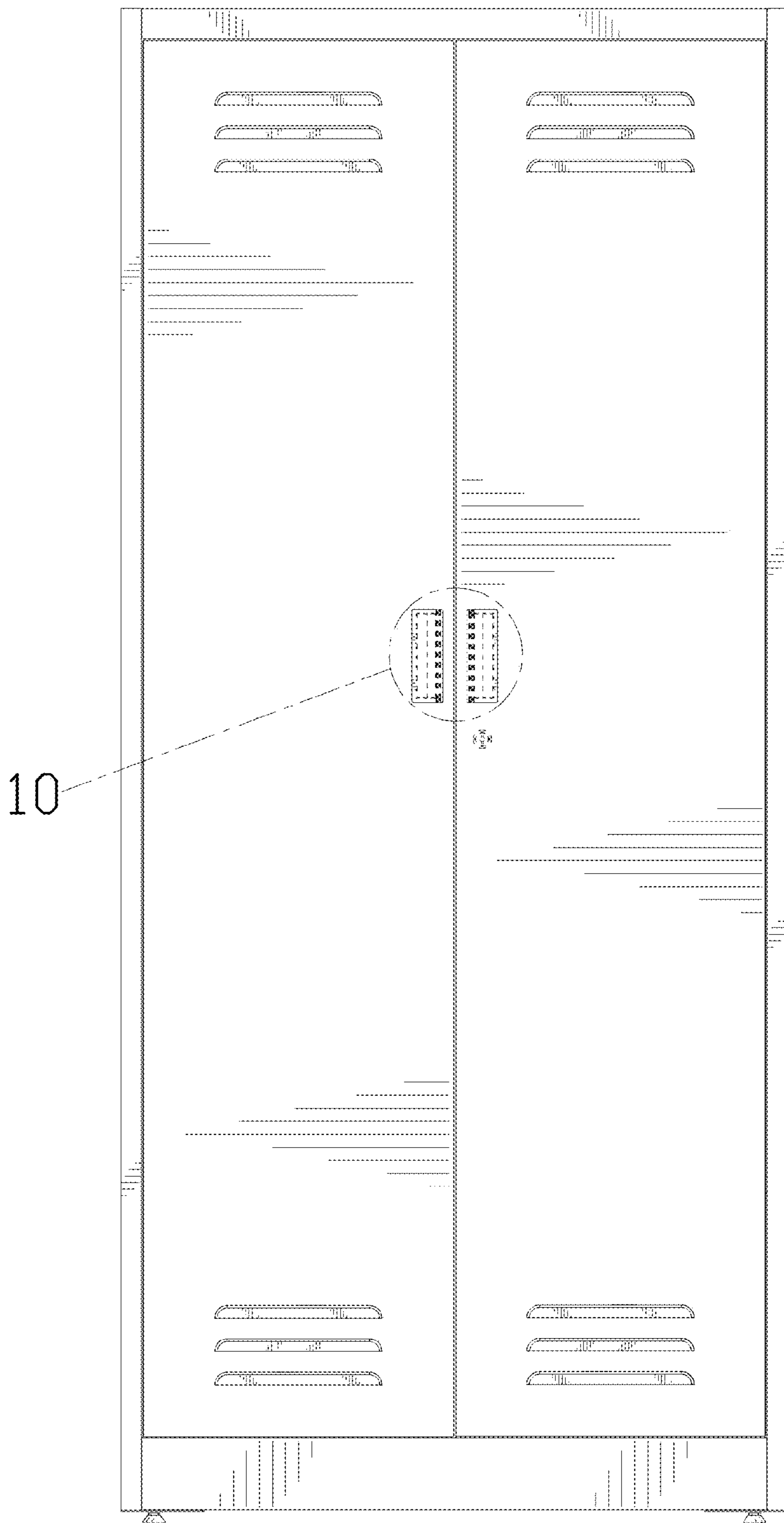


FIG. 3

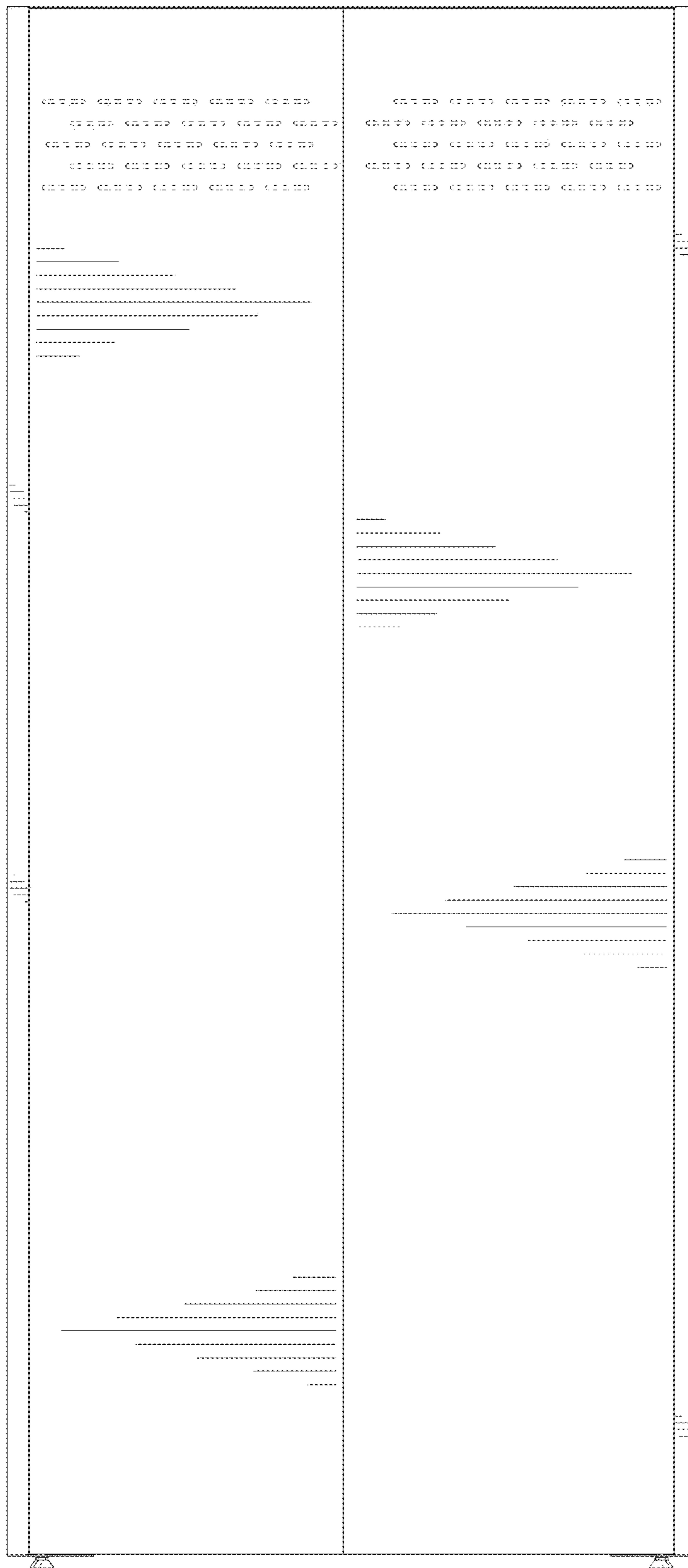


FIG. 4

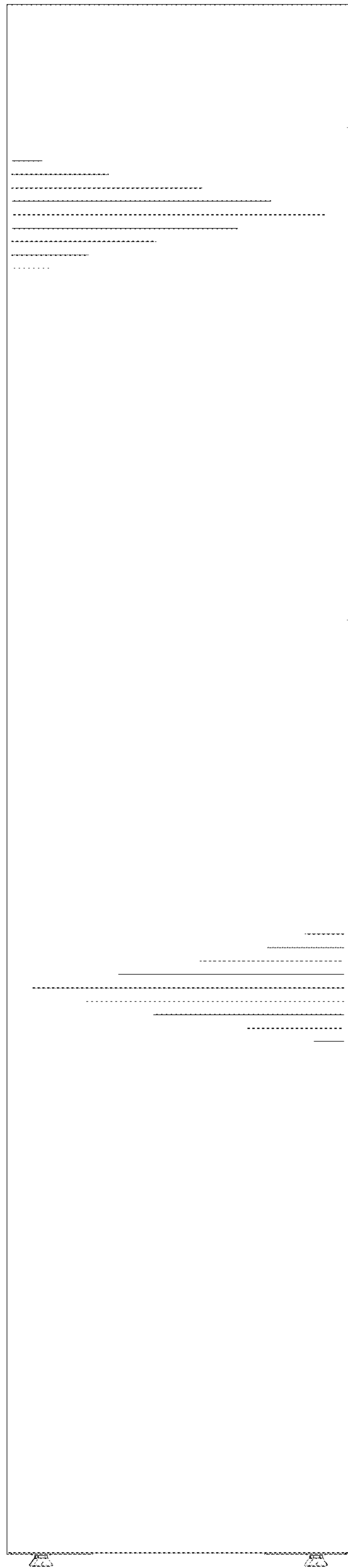


FIG. 5

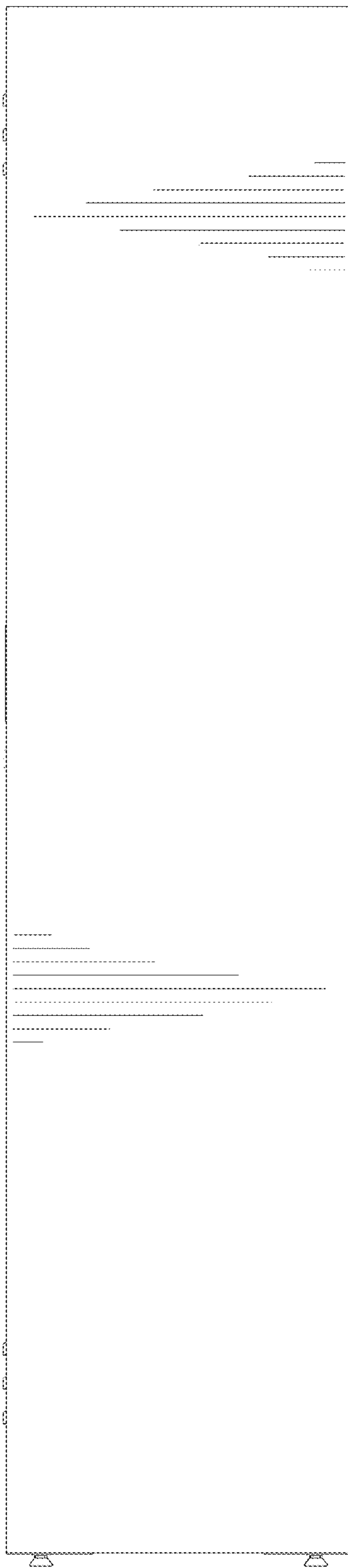


FIG. 6

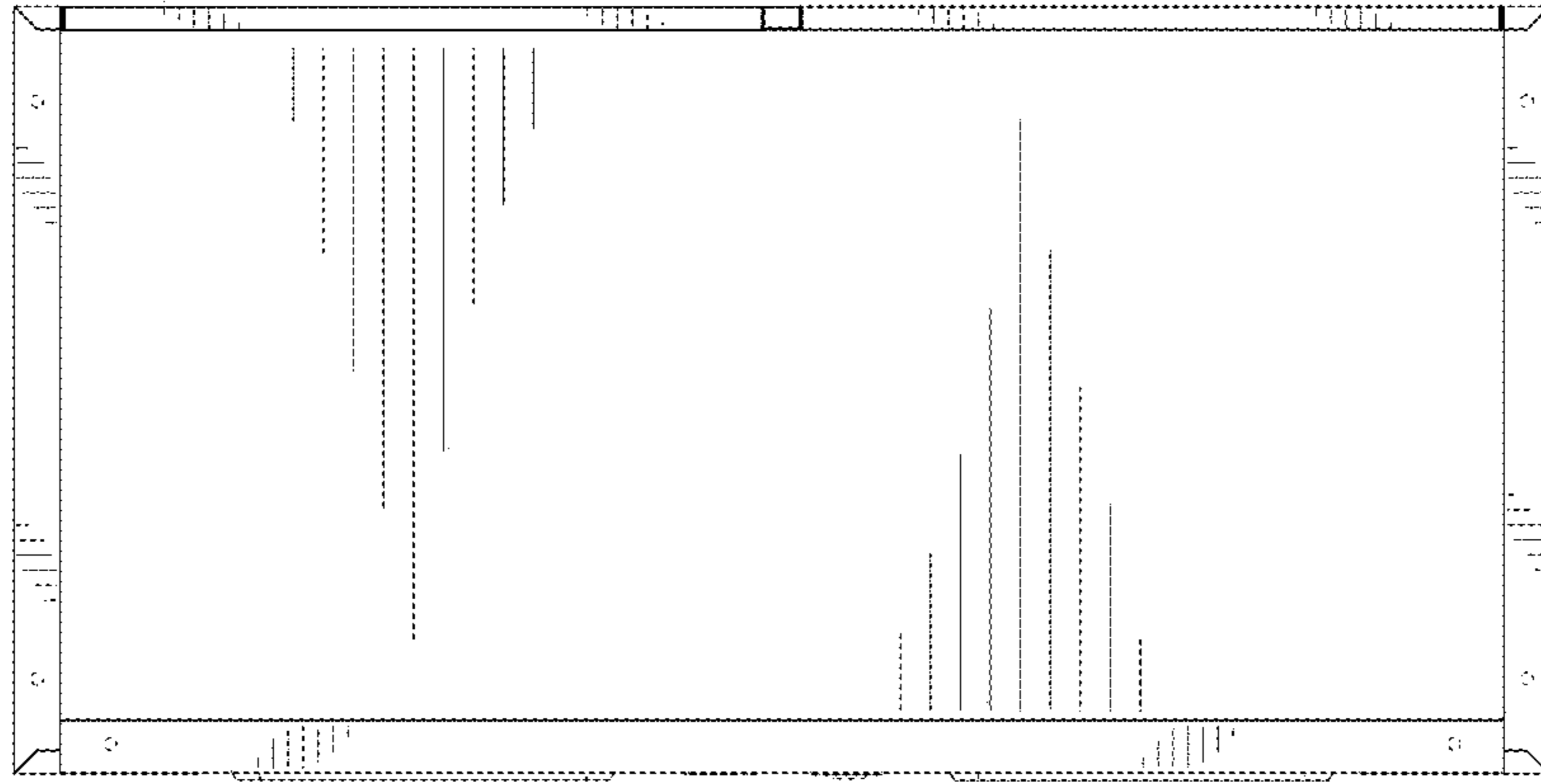


FIG. 7

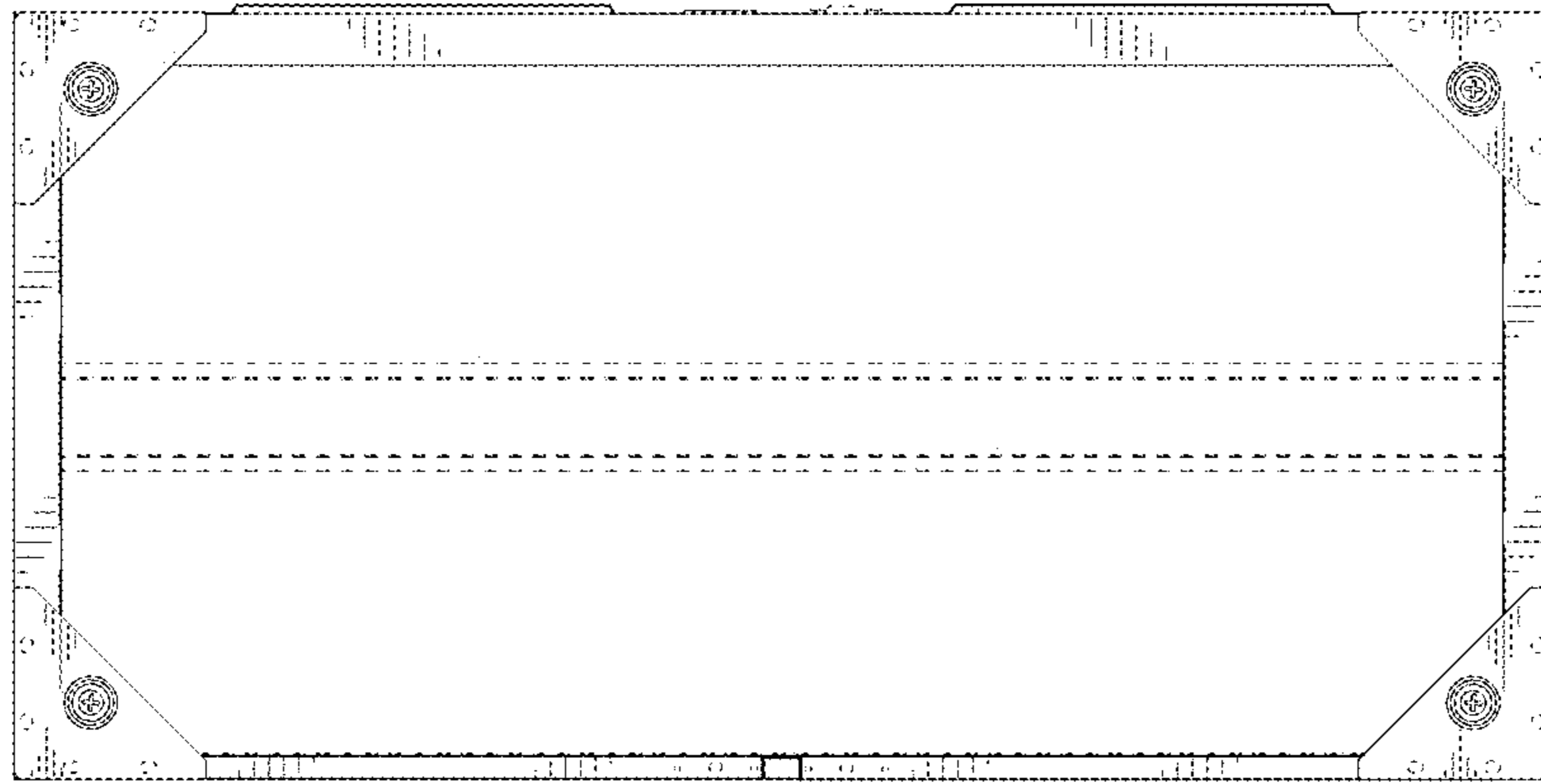


FIG. 8

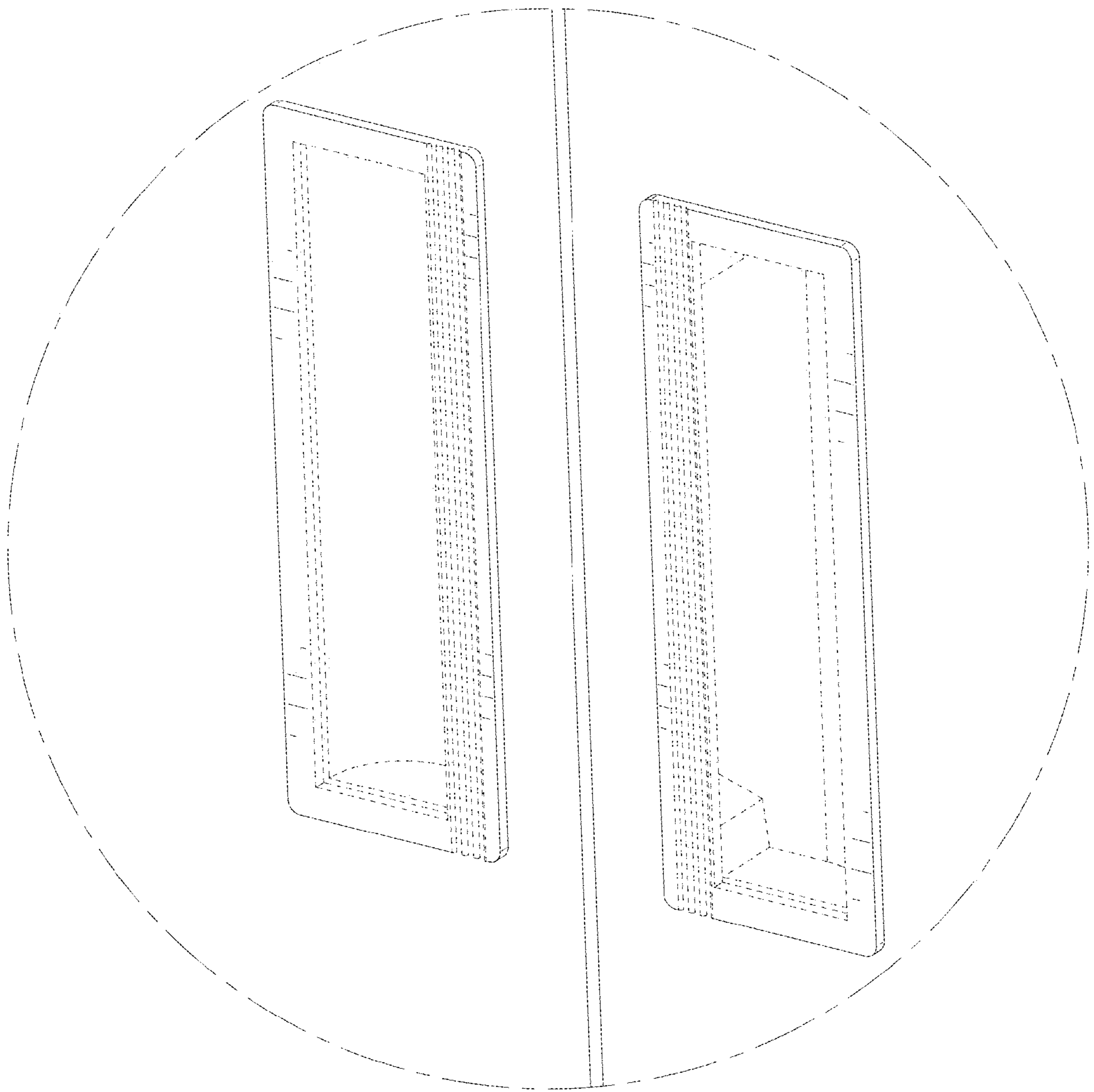


FIG. 9

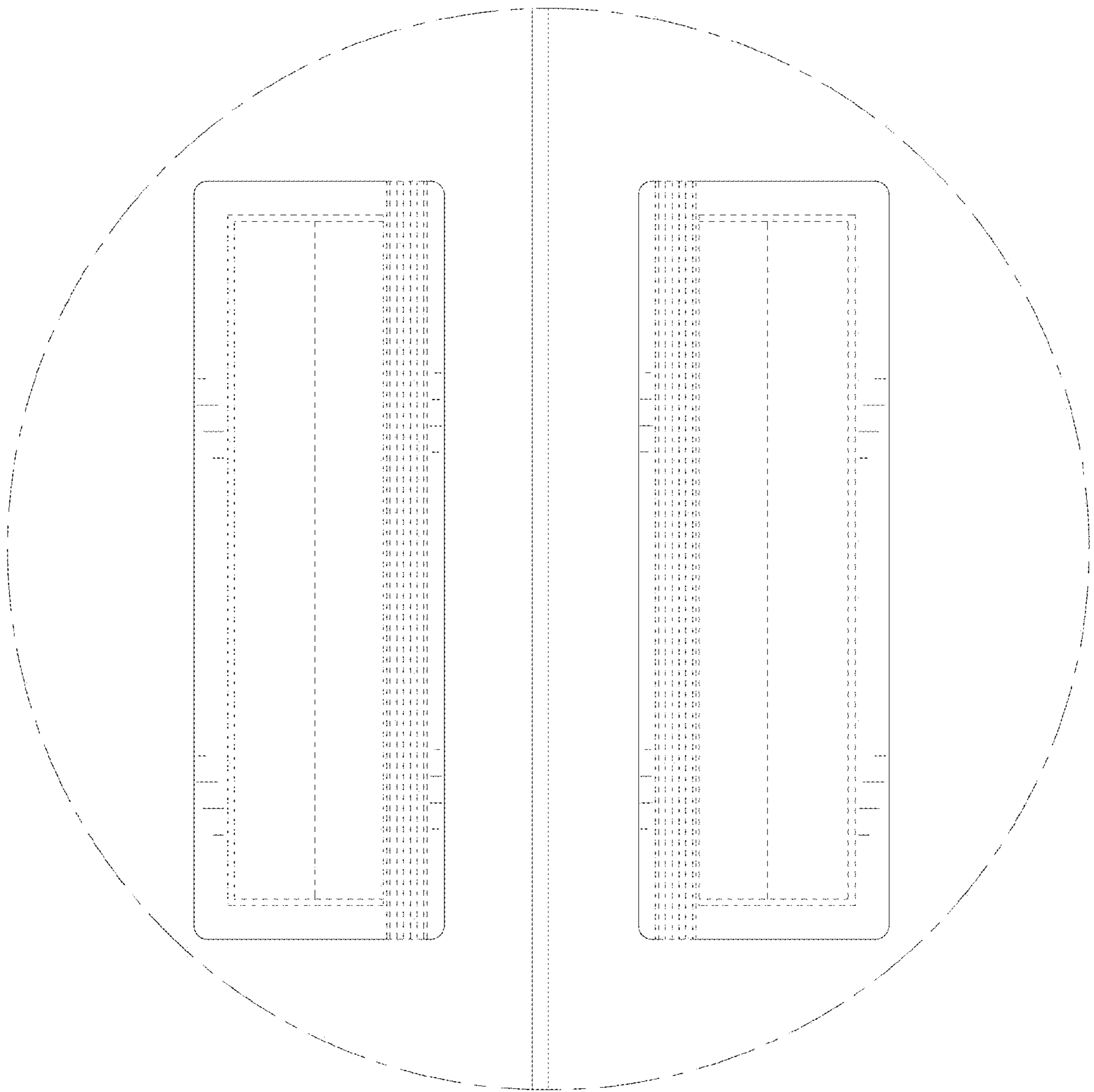


FIG. 10