



US00D981142S

(12) **United States Design Patent** (10) **Patent No.:** **US D981,142 S**
Qiao (45) **Date of Patent:** **** Mar. 21, 2023**

(54) **INFLATABLE MATTRESS**

(71) Applicant: **Xi Lu Qiao**, Guangzhou Guangdong (CN)

(72) Inventor: **Xi Lu Qiao**, Guangzhou Guangdong (CN)

(73) Assignee: **REESTAR INTERNATIONAL LIMITED**, Kowloon (HK)

(**) Term: **15 Years**

(21) Appl. No.: **29/835,503**

(22) Filed: **Apr. 19, 2022**

(51) **LOC (14) Cl.** **06-09**

(52) **U.S. Cl.**
USPC **D6/604**

(58) **Field of Classification Search**
USPC D6/388, 390, 595-601, 604, 606;
D24/183, 184, 190; D21/803, 804, 805,
D21/809
CPC A47G 9/10; A47G 9/1009; A47G 9/1018;
A47G 9/1027; A47G 9/1036; A47G
9/1045; A47G 9/1063; A47G 9/1072;
A47G

(Continued)

(56) **References Cited**

U.S. PATENT DOCUMENTS

D371,252 S * 7/1996 Chaput D6/381
D501,112 S 1/2005 Kasatshko et al.
D507,445 S * 7/2005 Song D6/605

(Continued)

FOREIGN PATENT DOCUMENTS

CN 303547622 * 1/2016
CN 303850755 * 9/2016

(Continued)

OTHER PUBLICATIONS

IDoo Air Mattress, product availability Jan. 27, 2022 [online], picture review Jun. 21, 2022 [online], [site visited Jul. 26, 2022]:URL:<https://www.amazon.com/gp/product/B09R9JX5ZB/ref=sw_img_1?smid=A2J4RIBEGAWPGY&psc=1> (Year: 2022).*

(Continued)

Primary Examiner — Bao-Yen T Nguyen
Assistant Examiner — Loryn K. Leblanc

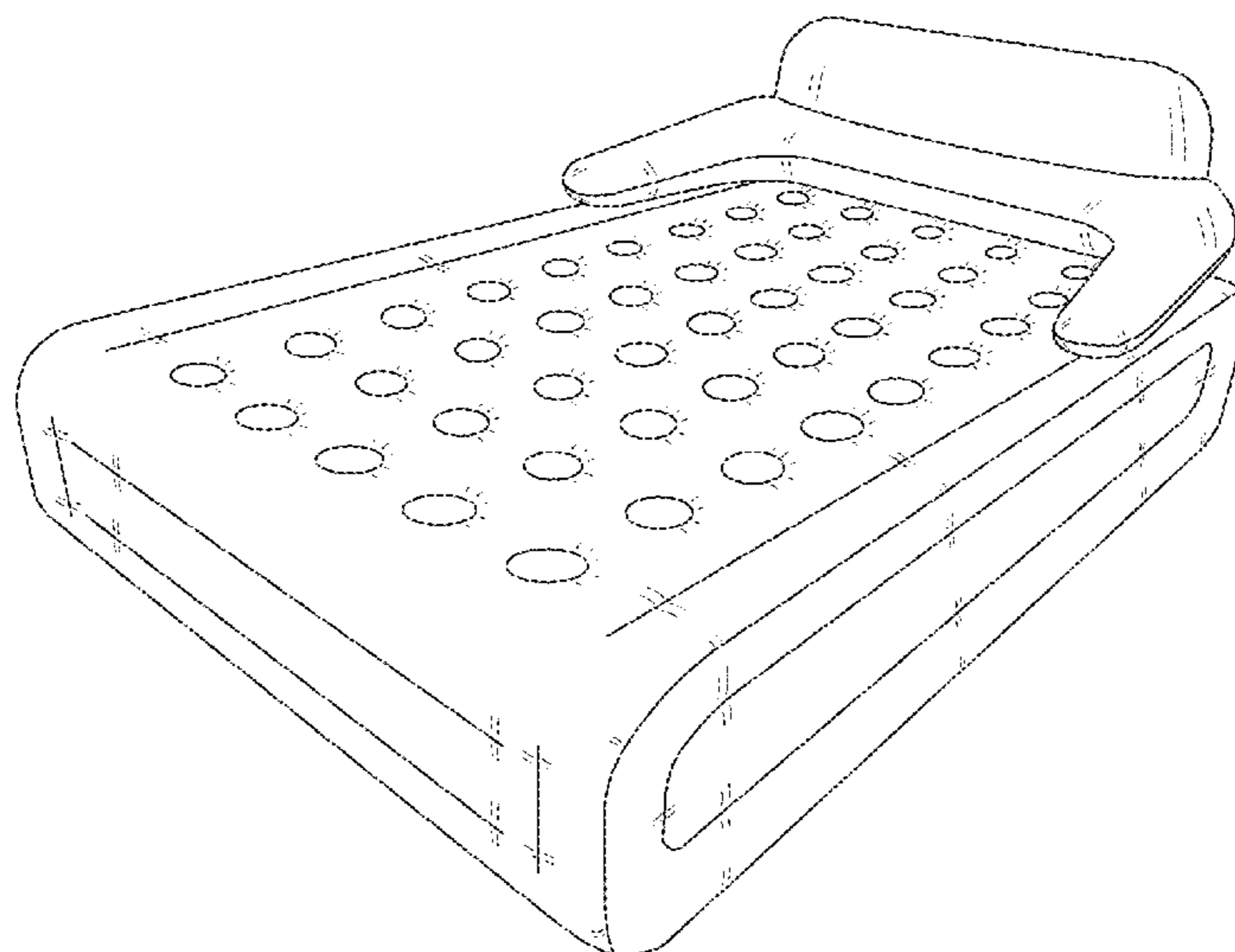
(57) **CLAIM**

The ornamental design for an inflatable mattress, as shown and described.

DESCRIPTION

FIG. 1 is a front perspective view of an inflatable mattress according to the present invention;
FIG. 2 is a front elevation view thereof;
FIG. 3 is a rear elevation view thereof;
FIG. 4 is a left side view thereof;
FIG. 5 is a right side view thereof;
FIG. 6 is a top plan view thereof;
FIG. 7 is a bottom plan view thereof;
FIG. 8 is a fragmentary cross-sectional view taken along lines 8-8 of FIG. 2;
FIG. 9 is a fragmentary cross-sectional view taken along lines 9-9 of FIG. 2;
FIG. 10 is a fragmentary cross-sectional view taken along lines 10-10 of FIG. 7;
FIG. 11 is an enlarged fragmentary cross-sectional view of a feature thereof shown in FIG. 8;
FIG. 12 is an enlarged fragmentary cross-sectional view of a feature thereof shown in FIG. 9; and,
FIG. 13 is an enlarged fragmentary cross-sectional view of a feature thereof shown in FIG. 10.
The broken lines shown in the figures are for the purpose of illustrating portions of the inflatable mattress that form no part of the claimed design. The broken lines shown in FIGS. 8-13 are for the purpose of depicting areas of enlargement and forms no part of the claimed design.

1 Claim, 13 Drawing Sheets



(58) **Field of Classification Search**

CPC 9/1081; A47G 9/109; A47G 9/0253; A47G
9/1054

See application file for complete search history.

(56) **References Cited**

U.S. PATENT DOCUMENTS

D513,915 S	1/2006	Jacklin	
D551,484 S	9/2007	Kasatshko et al.	
D593,340 S	6/2009	Austen et al.	
D602,708 S	10/2009	Coleman et al.	
D612,630 S	3/2010	Coleman	
D743,514 S *	11/2015	Kuipers	D23/277
D849,451 S *	5/2019	Liu	D6/604
D884,389 S	5/2020	Modeste	
2006/0037145 A1 *	2/2006	Wang	A47C 27/084 5/709
2007/0199153 A1 *	8/2007	Wu	A47C 19/005 5/723
2016/0120331 A1 *	5/2016	Wang	A47C 27/082 5/712

FOREIGN PATENT DOCUMENTS

CN	305606857	*	2/2020
CN	306124270	*	10/2020
CN	306124271	*	10/2020
CN	306867056	*	10/2021
CN	307306547	*	5/2022
GB	6208791	*	5/2022

OTHER PUBLICATIONS

IDoo Inflatable Couch, product availability Jan. 27, 2022 [online], picture review May 25, 2022 [online], [site visited Jul. 26, 2022]:URL:<https://www.amazon.com/gp/product/B09R9F6N1R/ref=sw_img_1?smid=A2J4RIBEGAWPGY&psc=1> (Year: 2022).*

InnoTruth Raised Air Mattress, product availability Feb. 11, 2021 [online], picture review Jun. 24, 2020 [online], [site visited Jul. 26, 2022]:URL:<https://www.amazon.com/gp/product/B08NKJR391/ref=sw_img_1?smid=ATVPDKIKX0DER&psc=1> (Year: 2020).*

* cited by examiner

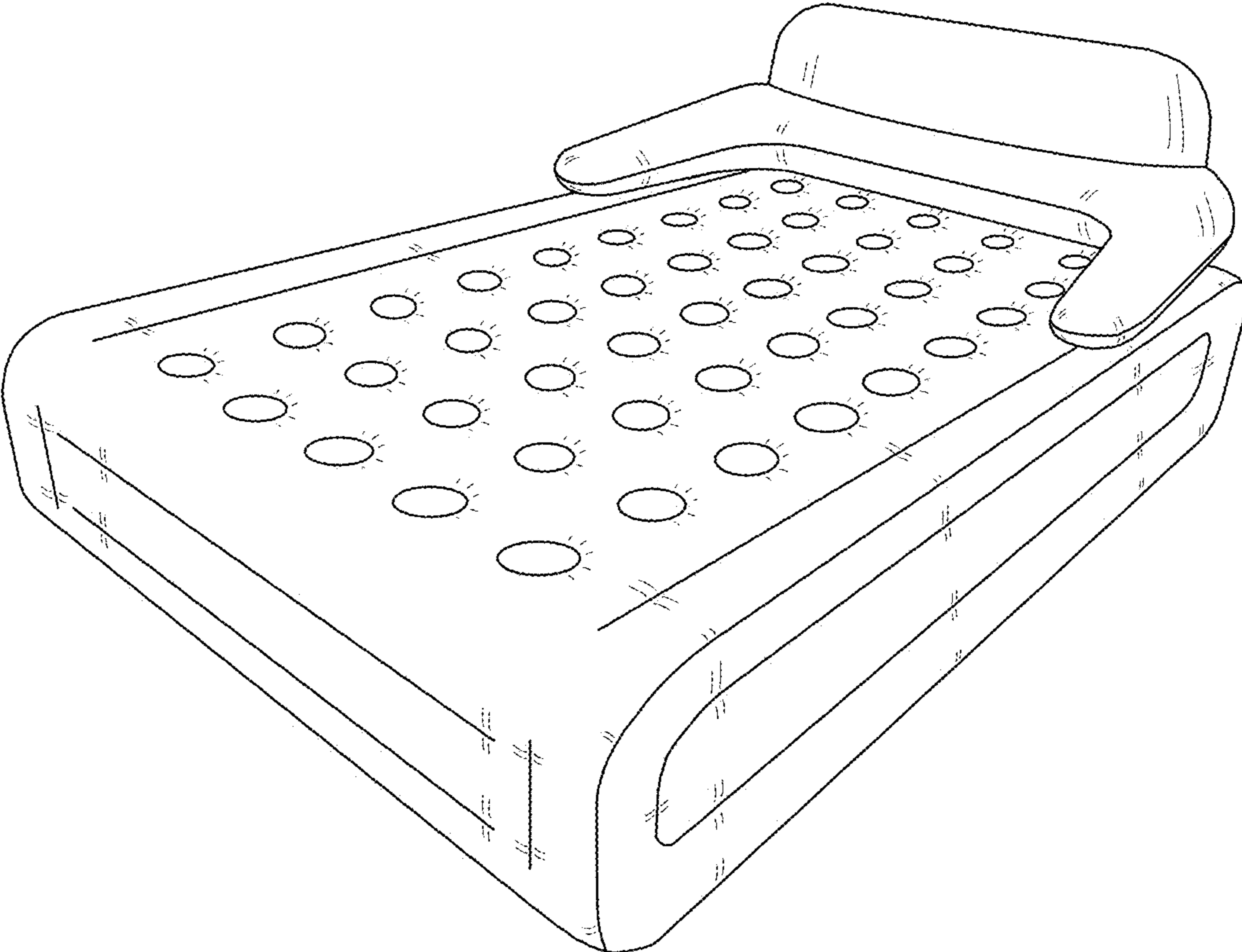


FIG. 1

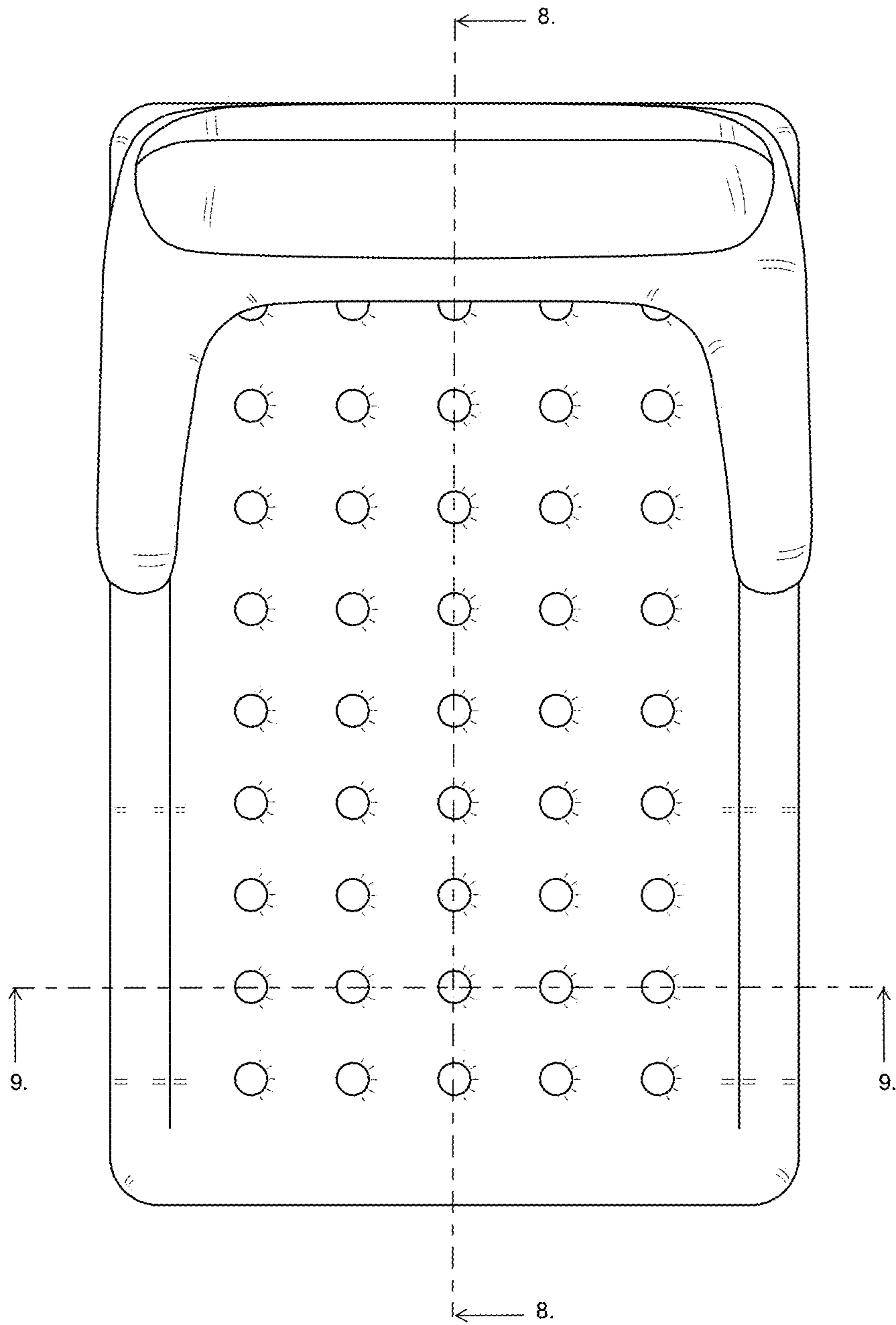


FIG. 2

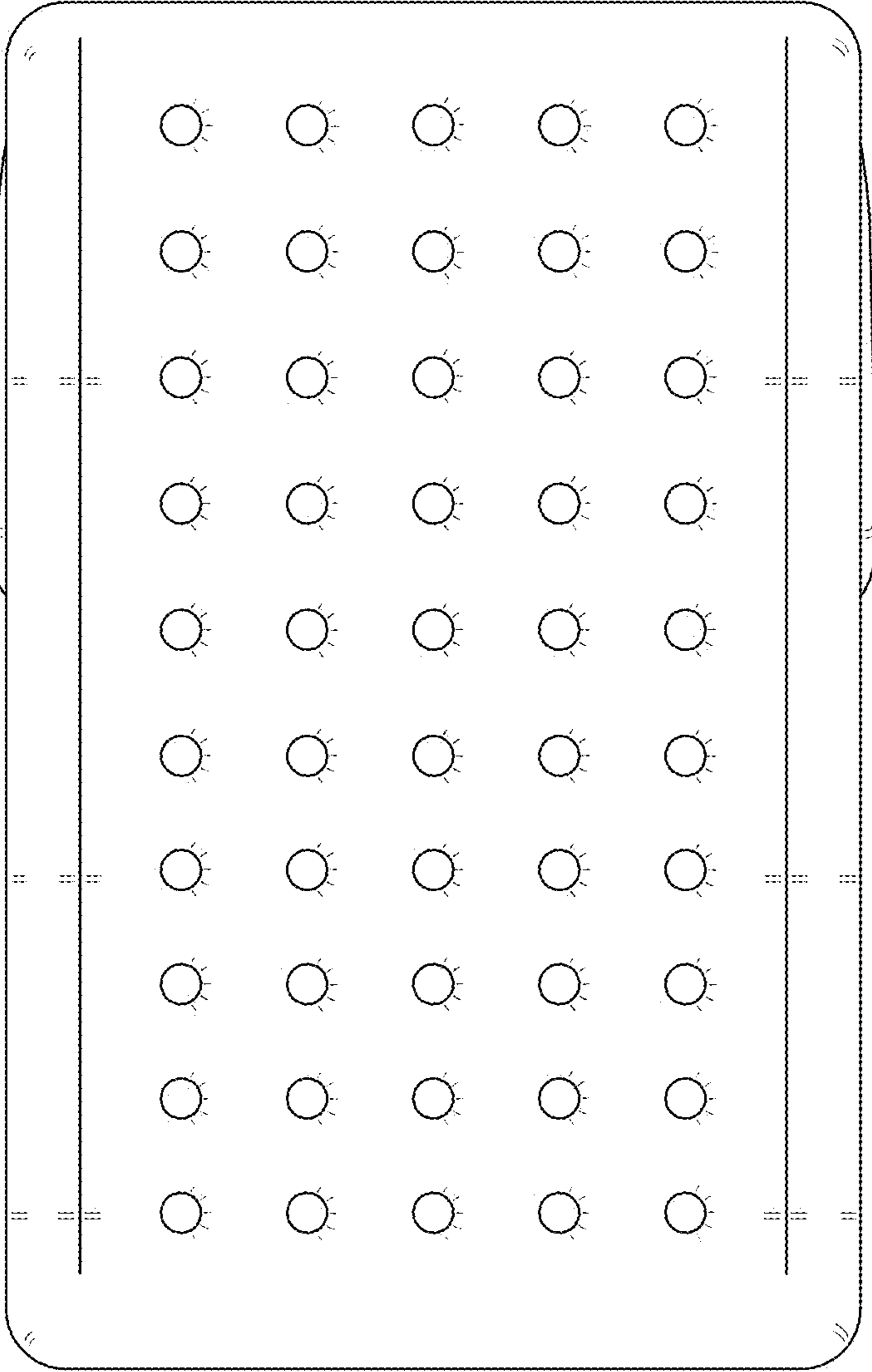


FIG. 3

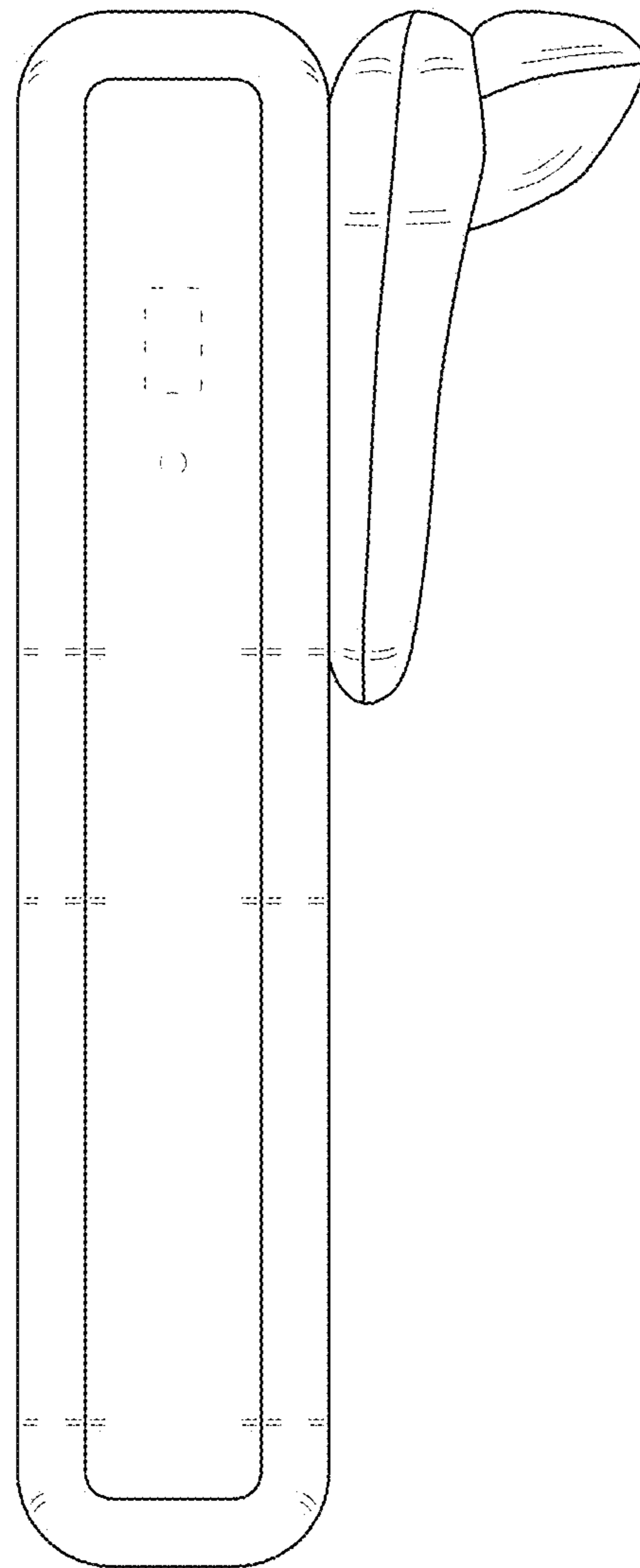


FIG. 4

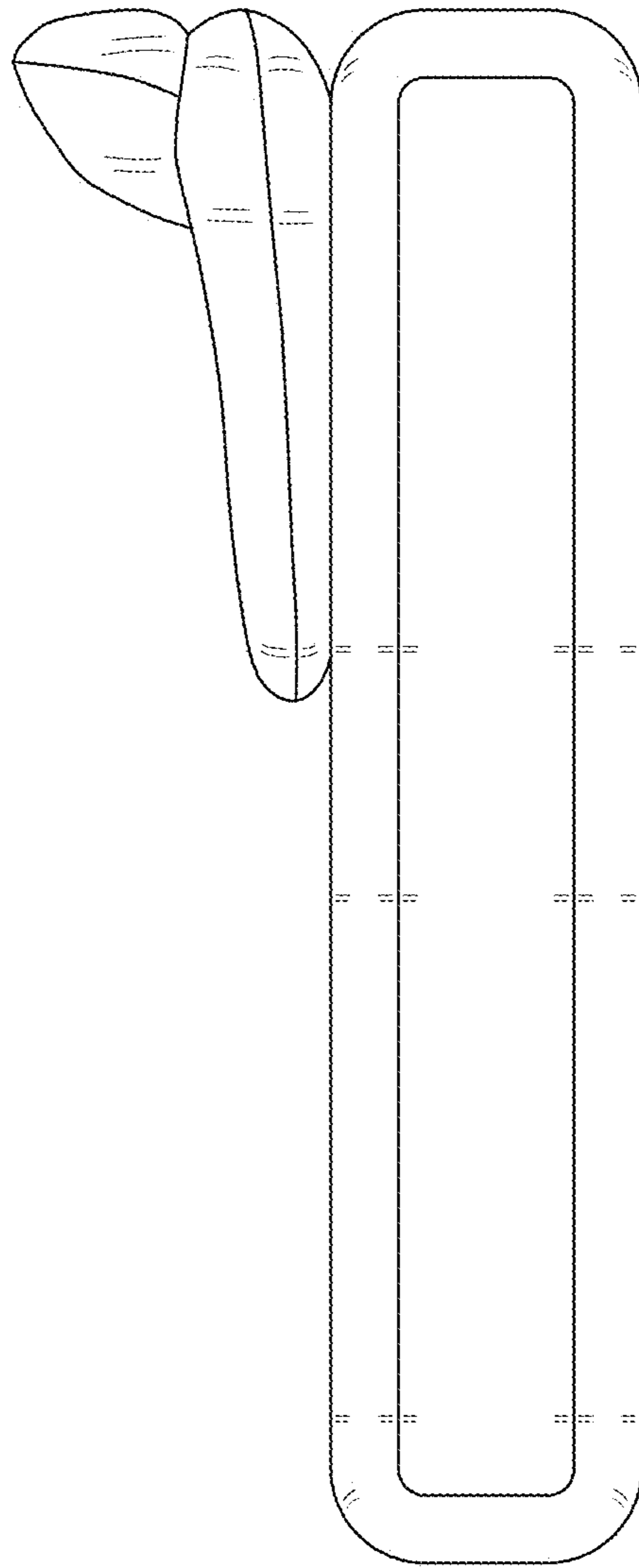


FIG. 5

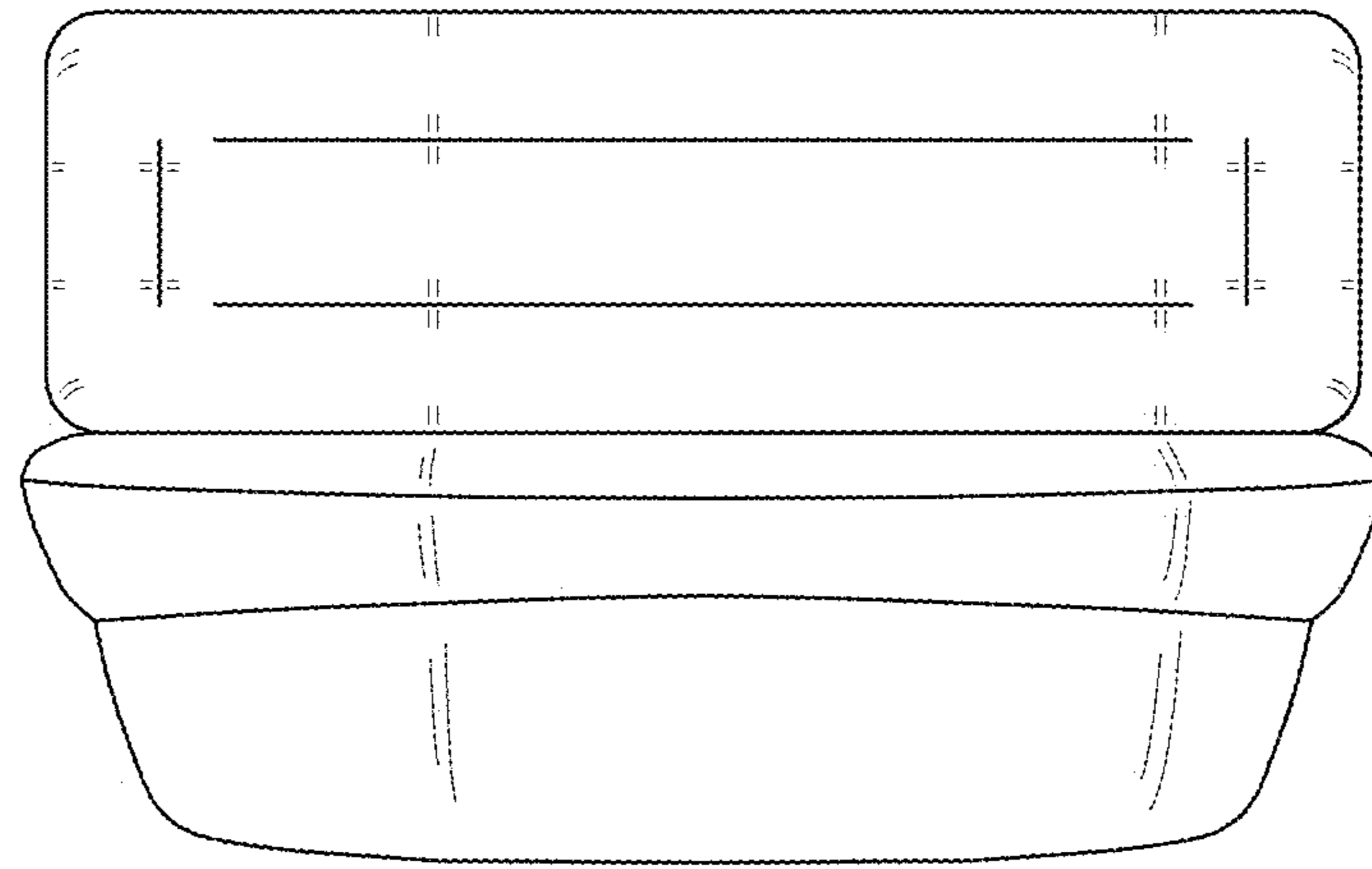


FIG. 6

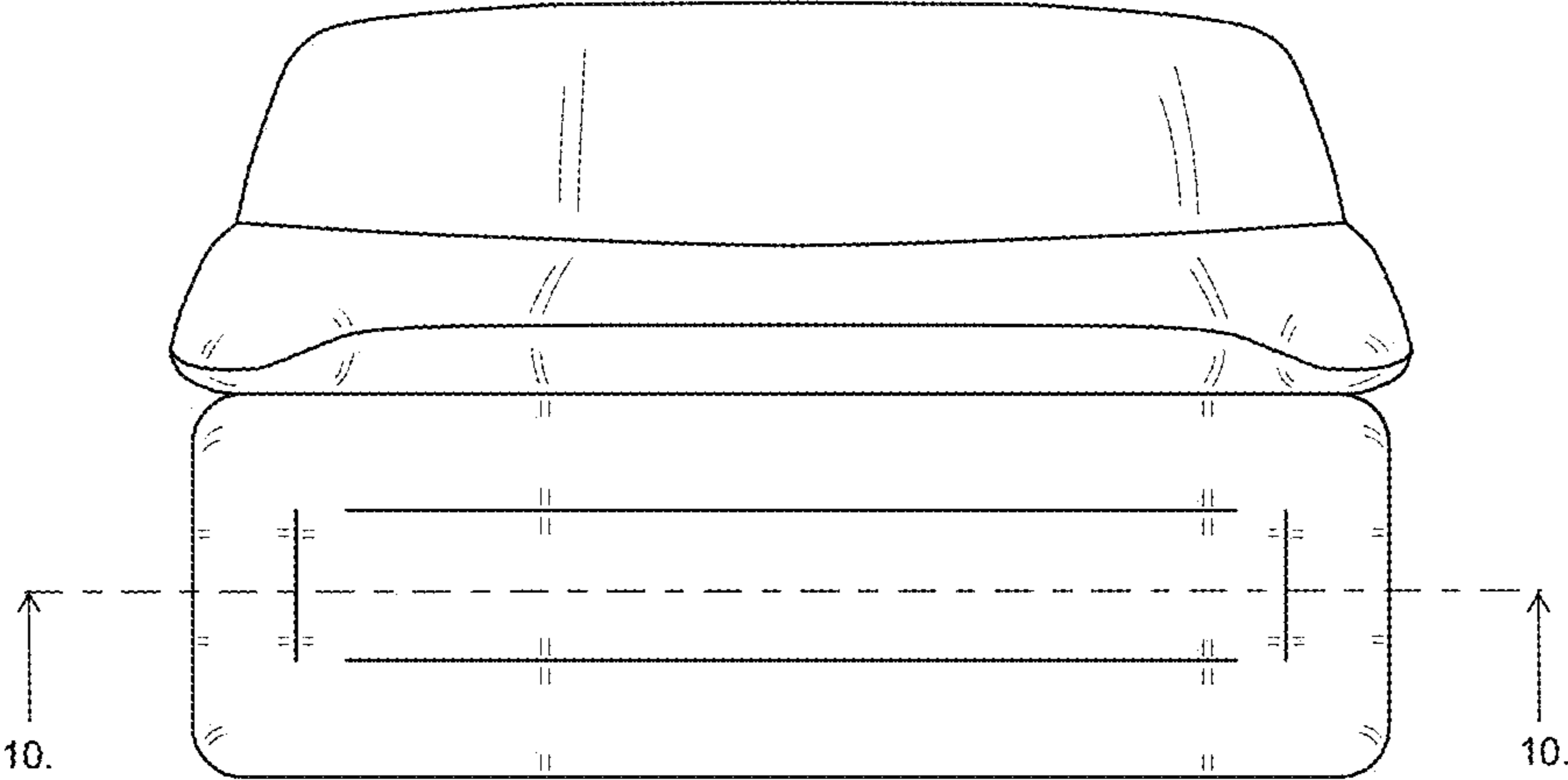


FIG. 7

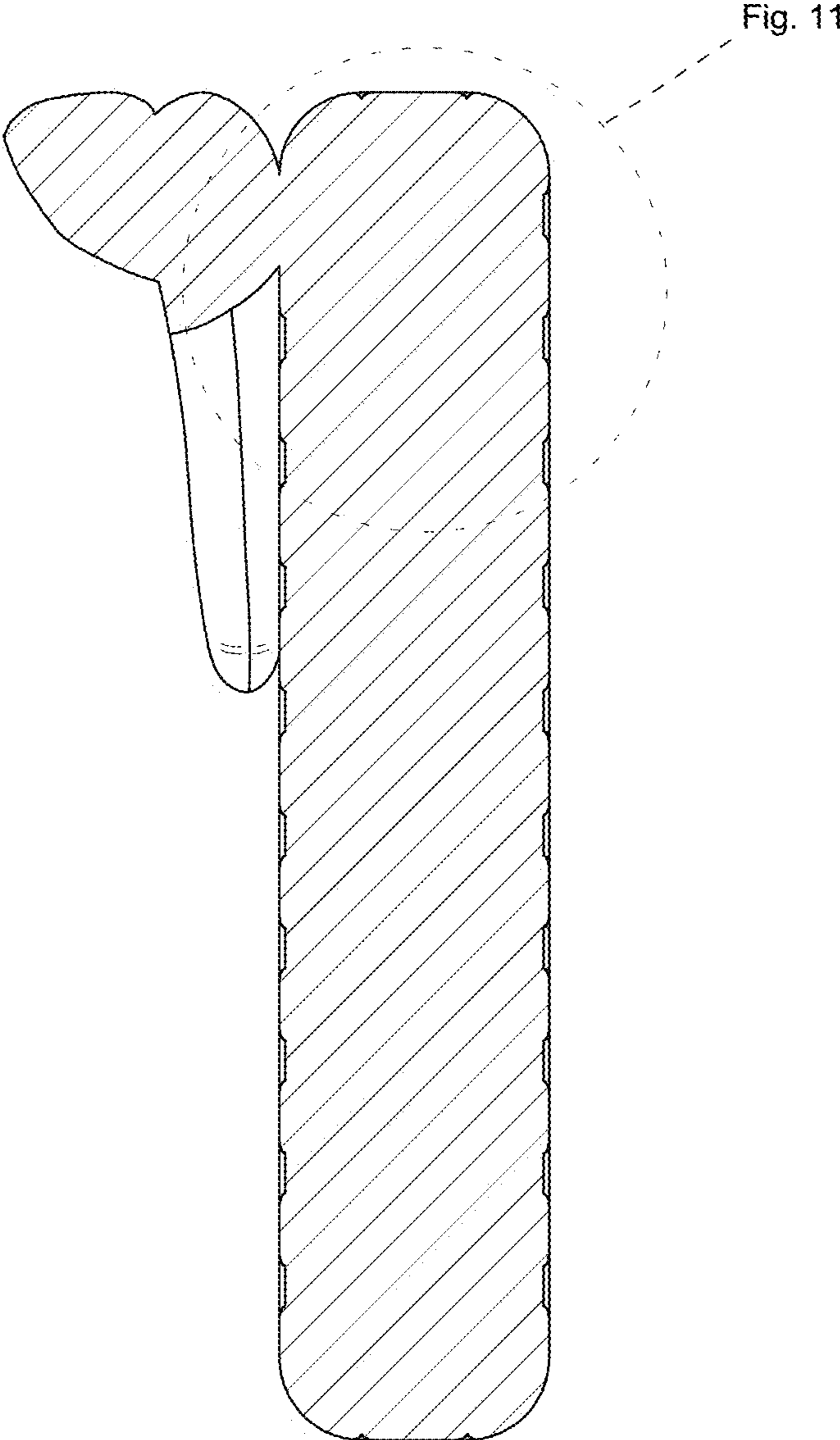


FIG. 8

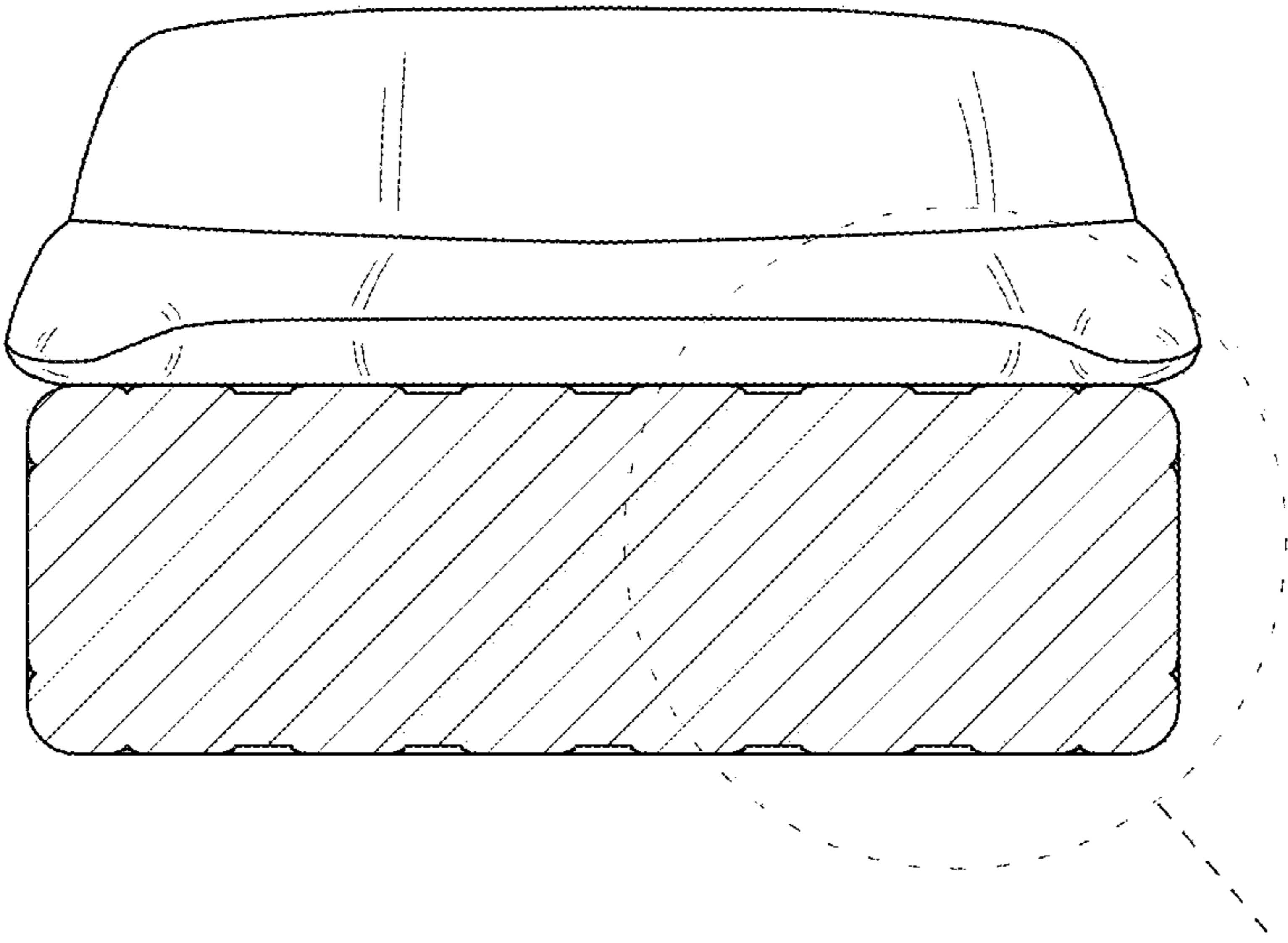


Fig. 12

FIG. 9

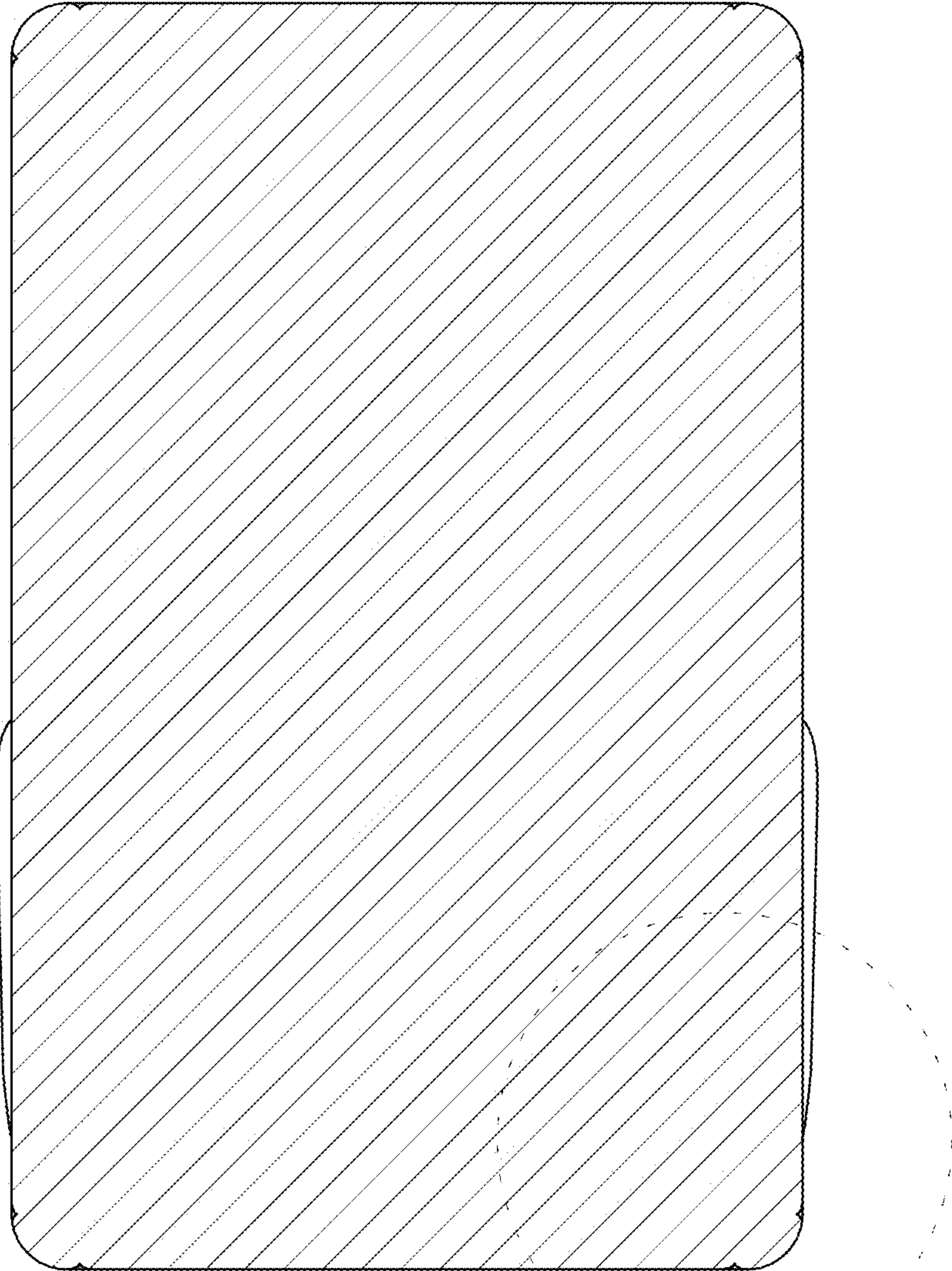


Fig. 13

FIG. 10

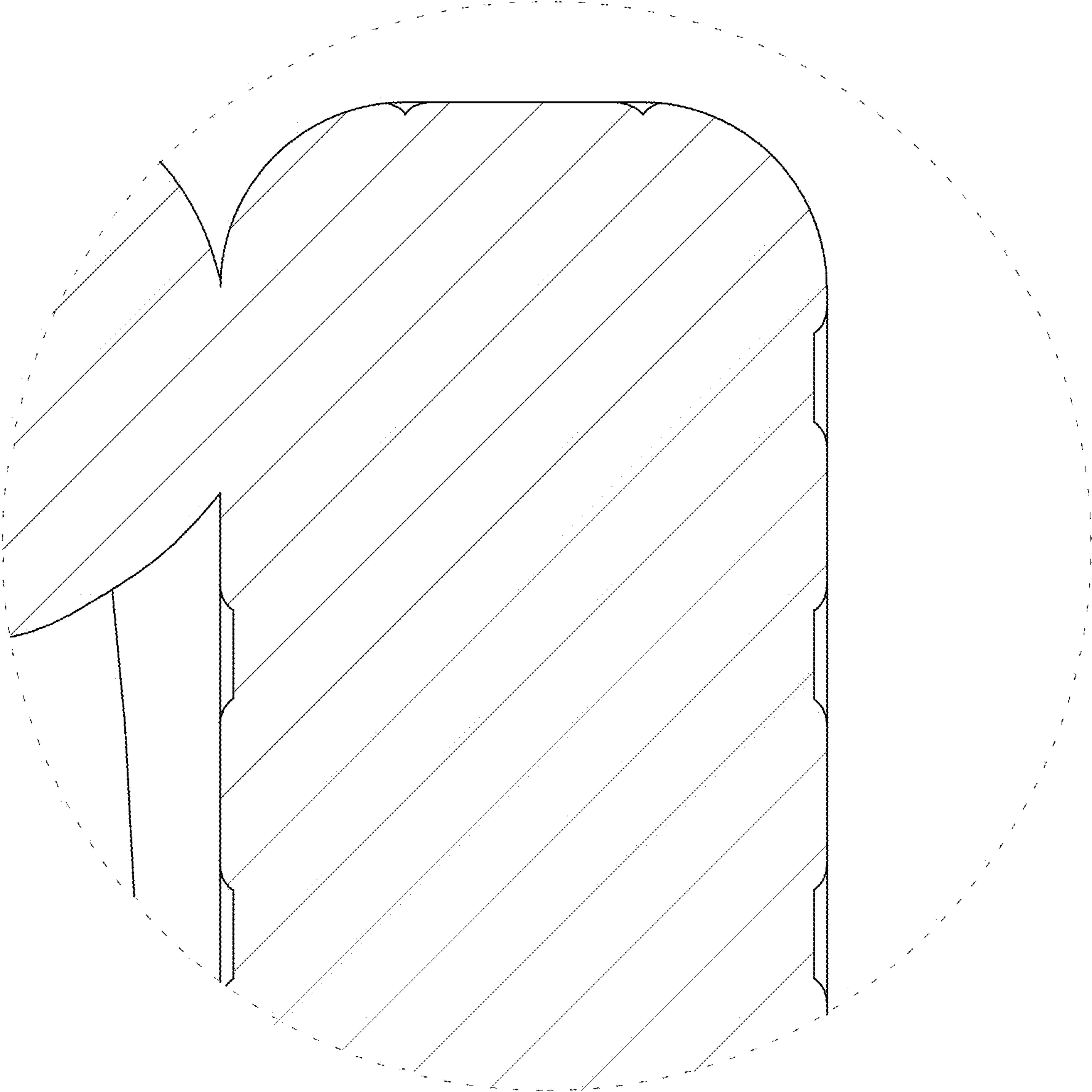


FIG. 11

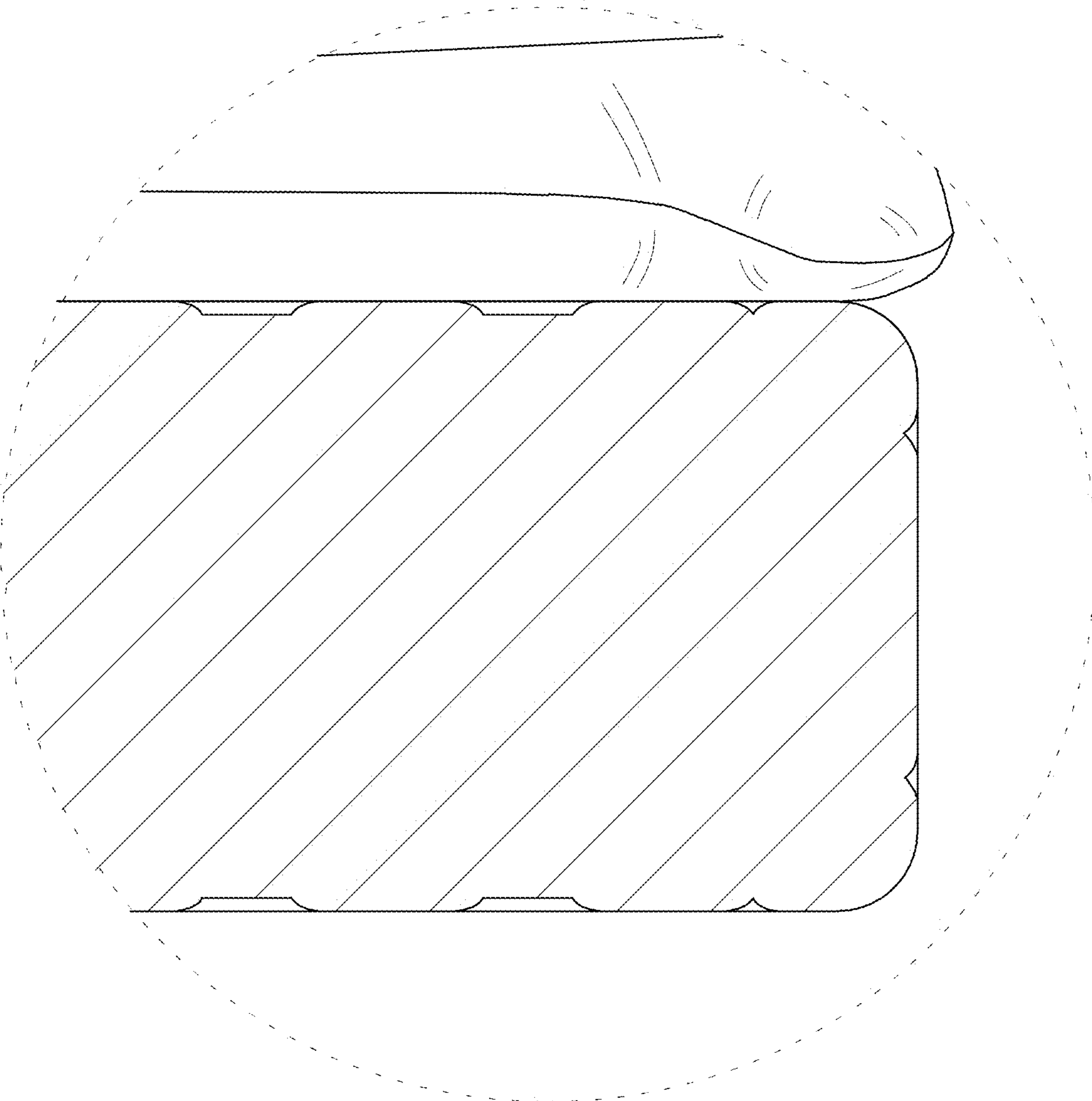


FIG. 12

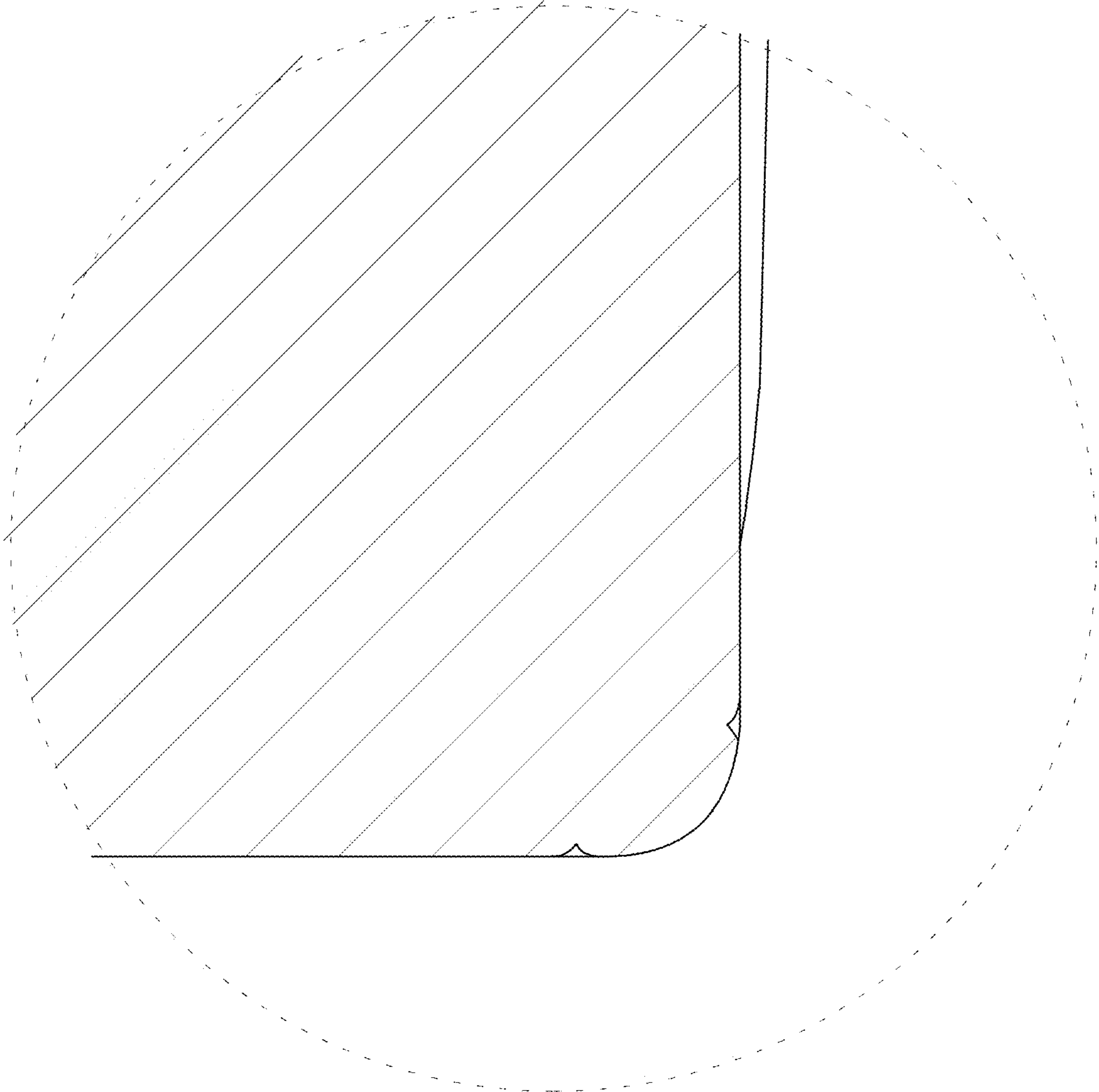


FIG. 13