



US00D981141S

(12) **United States Design Patent**
Zhang

(10) **Patent No.:** **US D981,141 S**
(45) **Date of Patent:** **** Mar. 21, 2023**

(54) **FOLDING MAT**

(71) Applicant: **Shenzhen Zhenyang Technology Co., LTD.**, Shenzhen (CN)

(72) Inventor: **Changping Zhang**, Shenzhen (CN)

(73) Assignee: **Shenzhen Zhenyang Technology Co., LTD.**, Shenzhen (CN)

(**) Term: **15 Years**

(21) Appl. No.: **29/854,639**

(22) Filed: **Sep. 27, 2022**

(51) **LOC (14) Cl.** **06-09**

(52) **U.S. Cl.**
USPC **D6/601**

(58) **Field of Classification Search**
USPC D6/368, 502, 582-588, 592, 595, 597, D6/601, 610, 611, 596, 602, 603, 615, D6/617, 621, 401-405; D7/332, D7/334-337, 637; D21/662, 671, 687, D21/726, 792; D24/212; D32/56, 57
CPC G09B 19/0015; A63D 15/105; A63B 21/4037; A63B 21/4039; A47L 23/263; A47L 23/266; A47K 7/026; A47G 27/02; A47G 27/0212; A47G 27/0218; A47G 27/0225; A47G 27/0231; A47G 27/0237
See application file for complete search history.

(56) **References Cited**

U.S. PATENT DOCUMENTS

D312,741 S	*	12/1990	Treadwell	D6/601
D366,383 S	*	1/1996	Briegleb	D6/601
D366,800 S	*	2/1996	Moore, Jr.	D6/601
D413,733 S	*	9/1999	Edmonds	D6/336
6,109,256 A	*	8/2000	Sardi	A47C 7/021
					5/653
D474,934 S	*	5/2003	Ildstad	D6/601
D553,884 S	*	10/2007	Faber	D6/601
D601,844 S	*	10/2009	Miller	D6/611

D724,349 S		3/2015	Jalbert et al.	
D754,990 S	*	5/2016	Velasquez D6/601
D762,399 S		8/2016	Sorricks et al.	
D843,133 S	*	3/2019	Cohen D6/601
D941,607 S	*	1/2022	Savioli D6/601

(Continued)

OTHER PUBLICATIONS

Ksheat Seat Cushion, retrieved from amazon.com, earliest review date Oct. 8, 2022, online, retrieved Dec. 13, 2022, URL:https://www.amazon.com/Ksheat-Foldable-Bleacher, 3-Settings , 1-Pocket , Heated/dp/B0BCJN5T7B/ref=pd_lpo_2?pd_rd_w=M5SE (Year: 2022).*

(Continued)

Primary Examiner — Mary Shannon Malley
Assistant Examiner — Michelle Marquart Christeon
(74) *Attorney, Agent, or Firm* — ScienBiziP, P.C.

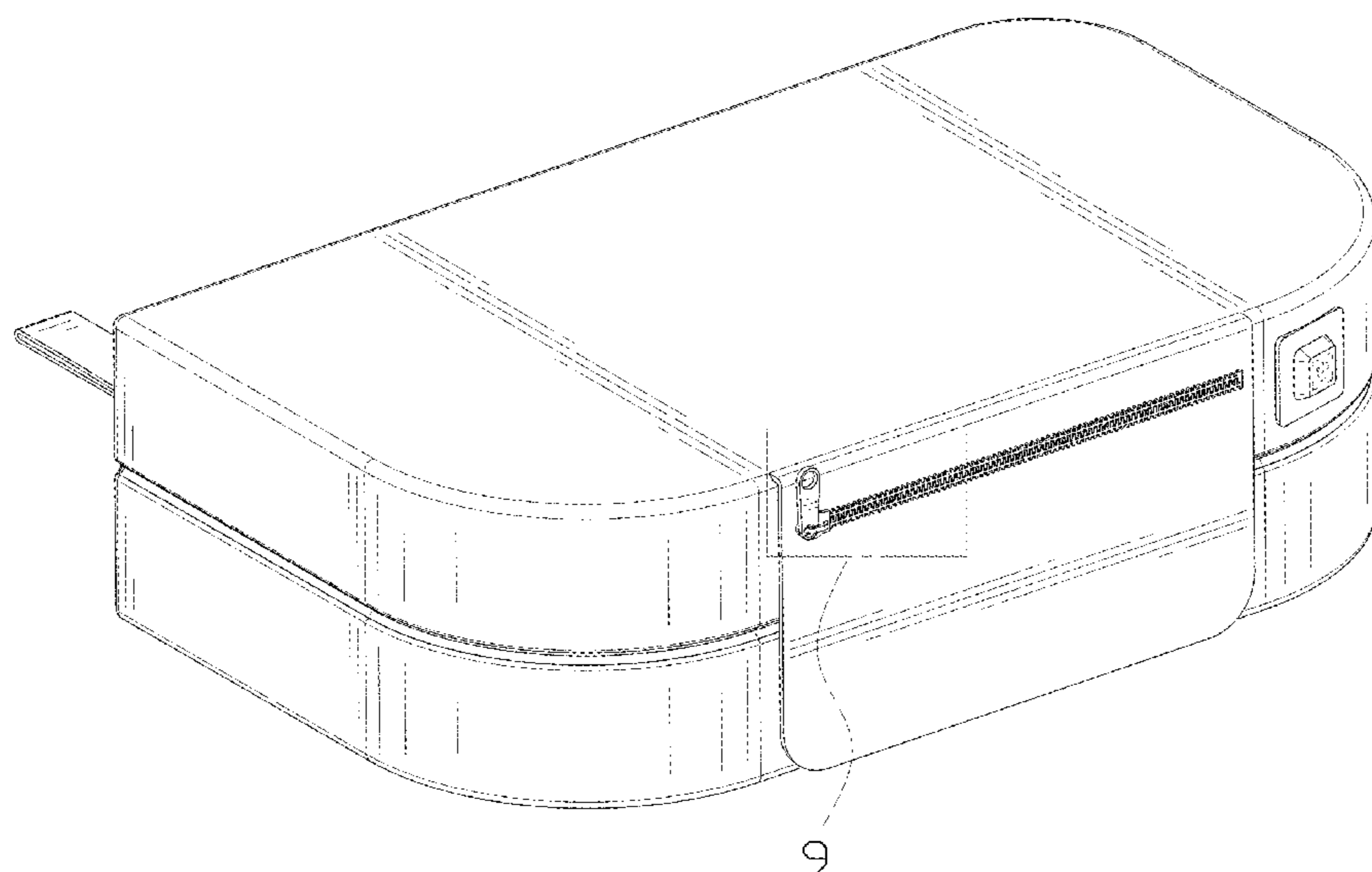
(57) **CLAIM**

The ornamental design for a folding mat, as shown and described.

DESCRIPTION

FIG. 1 is a front, left and top perspective view of a folding mat, showing my design.
FIG. 2 is a rear, right and bottom perspective view thereof.
FIG. 3 is a front elevation view thereof.
FIG. 4 is a rear elevation view thereof.
FIG. 5 is a left side elevation view thereof.
FIG. 6 is a right side elevation view thereof.
FIG. 7 is a top plan view thereof.
FIG. 8 is a bottom plan view thereof; and,
FIG. 9 is an enlarged view of an area labeled 9 in FIG. 1.
The broken lines depict portions of the folding mat that form no part of the claimed design. The dot-dash broken lines in FIGS. 1 and 9 depict the boundaries of the enlargements that form no part of the claimed design.

1 Claim, 9 Drawing Sheets



(56)

References Cited

U.S. PATENT DOCUMENTS

D971,625 S * 12/2022 Wu D6/368
2005/0045623 A1 * 3/2005 Schenck A47C 21/048
219/528

OTHER PUBLICATIONS

Roadpmate Seat Cushion, retrieved from amazon.com, earliest review date Mar. 11, 2022, online, retrieved Dec. 13, 2022, URL: https://www.amazon.com/dp/B09VBHJ7N1/ref=sspa_dk_detail_9?psc=1&pd_rd_i=B09VBHJ7N1&pd_rd_w=UX8jh&content-id=amzn1.sym.46bad5f6 (Year: 2022).*

* cited by examiner

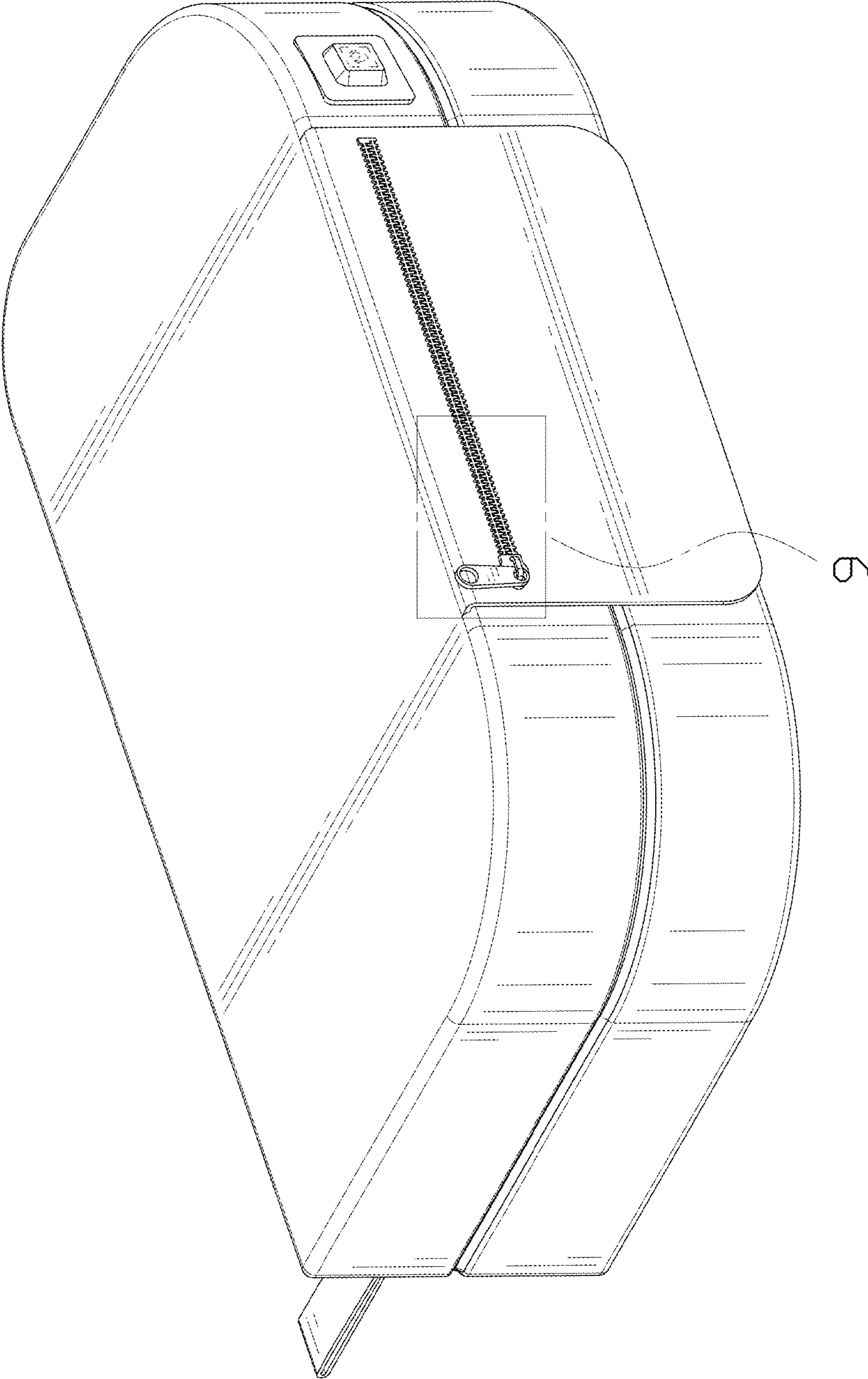


FIG. 1

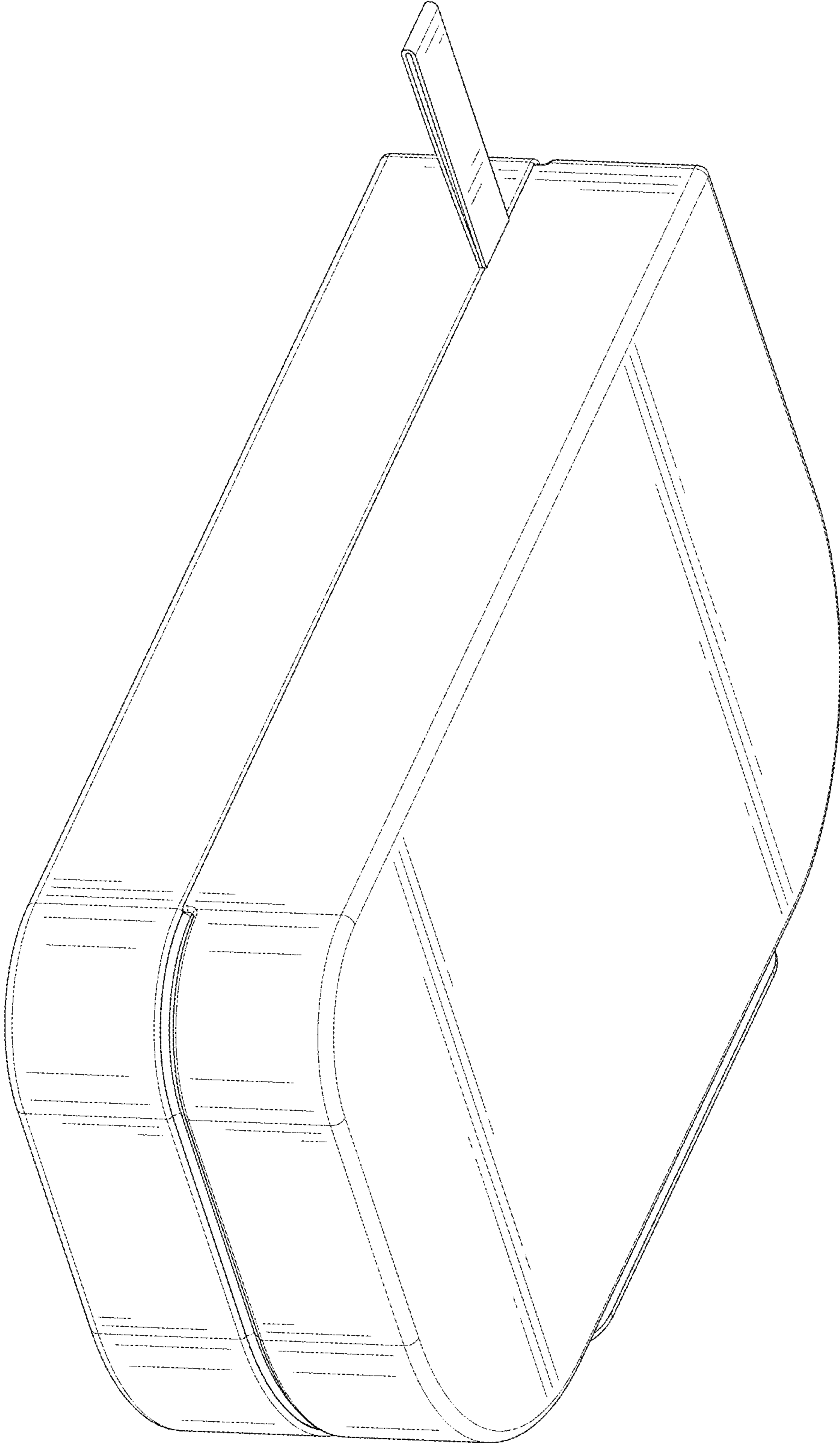


FIG. 2

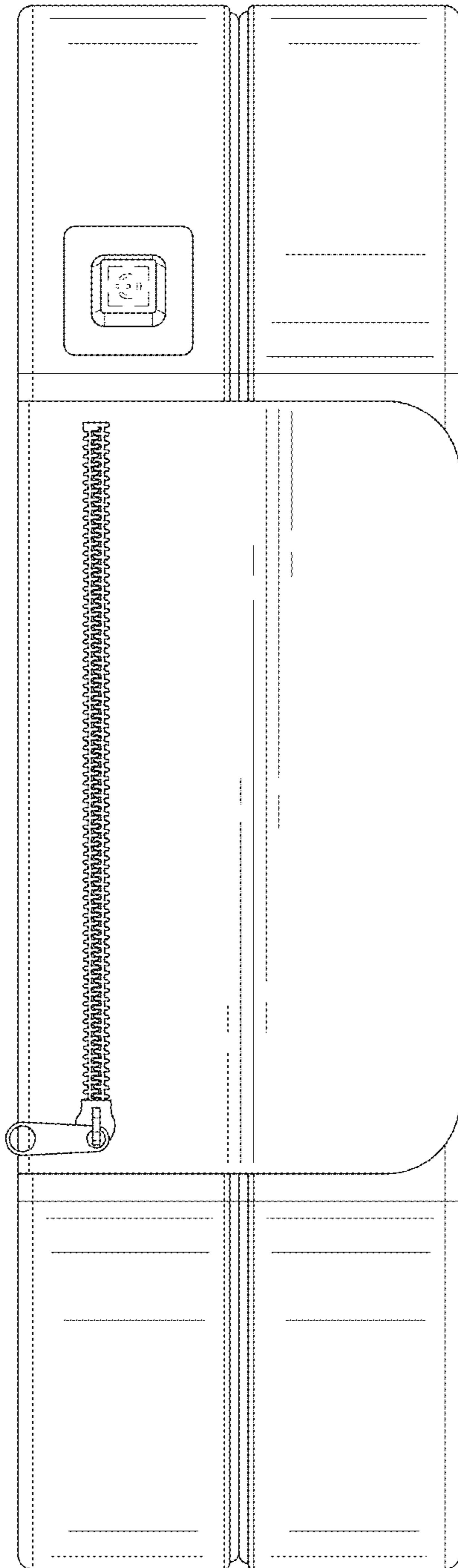


FIG. 3

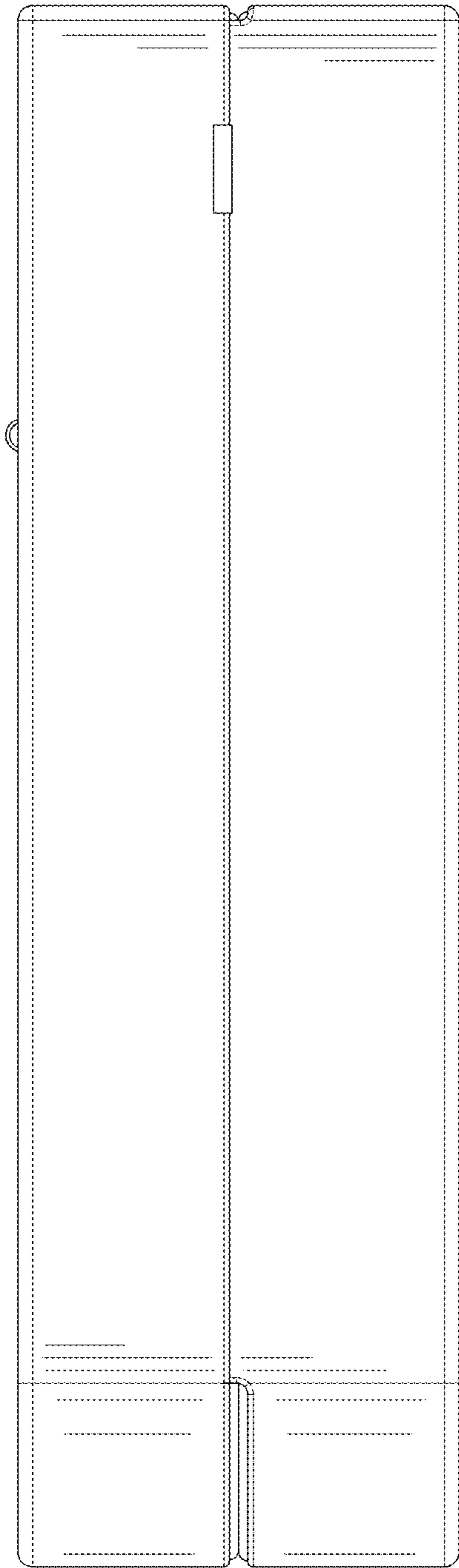


FIG. 4

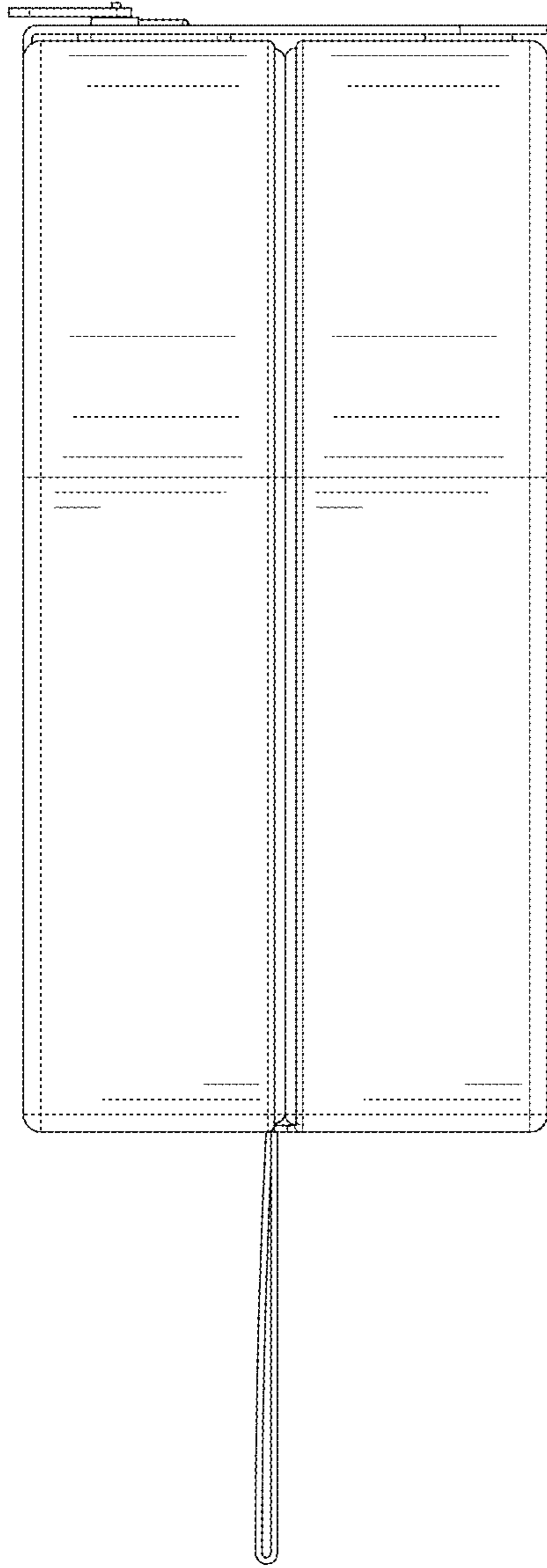


FIG. 5

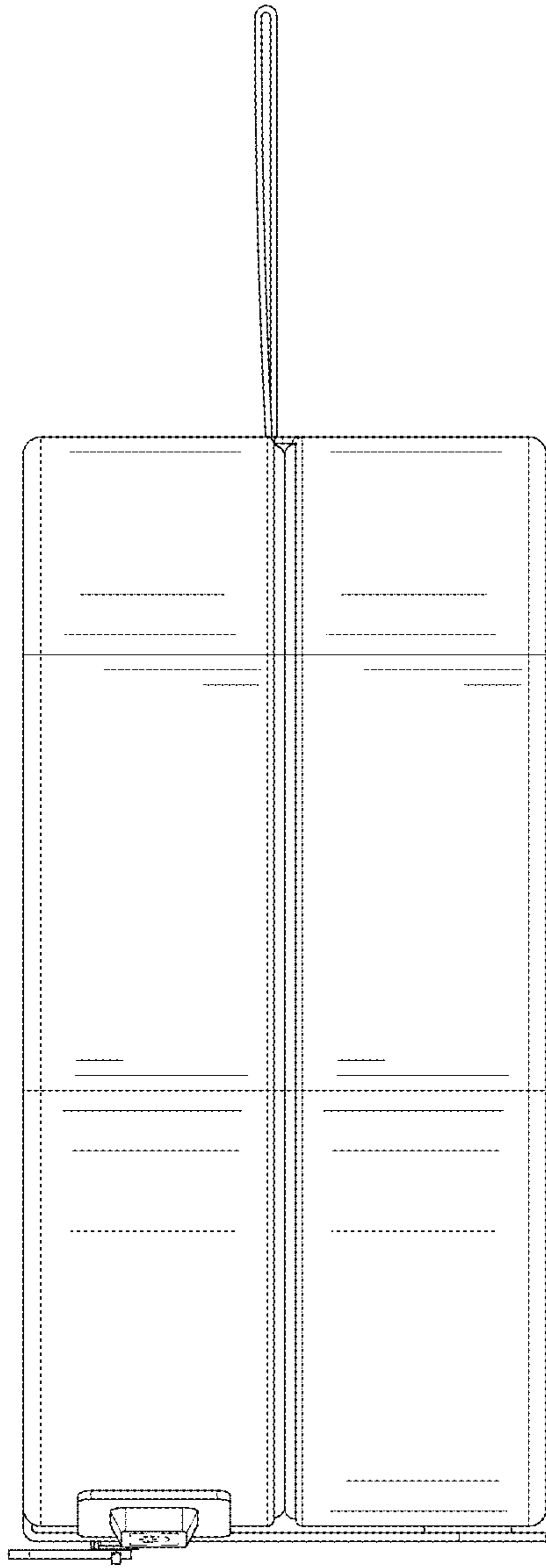


FIG. 6

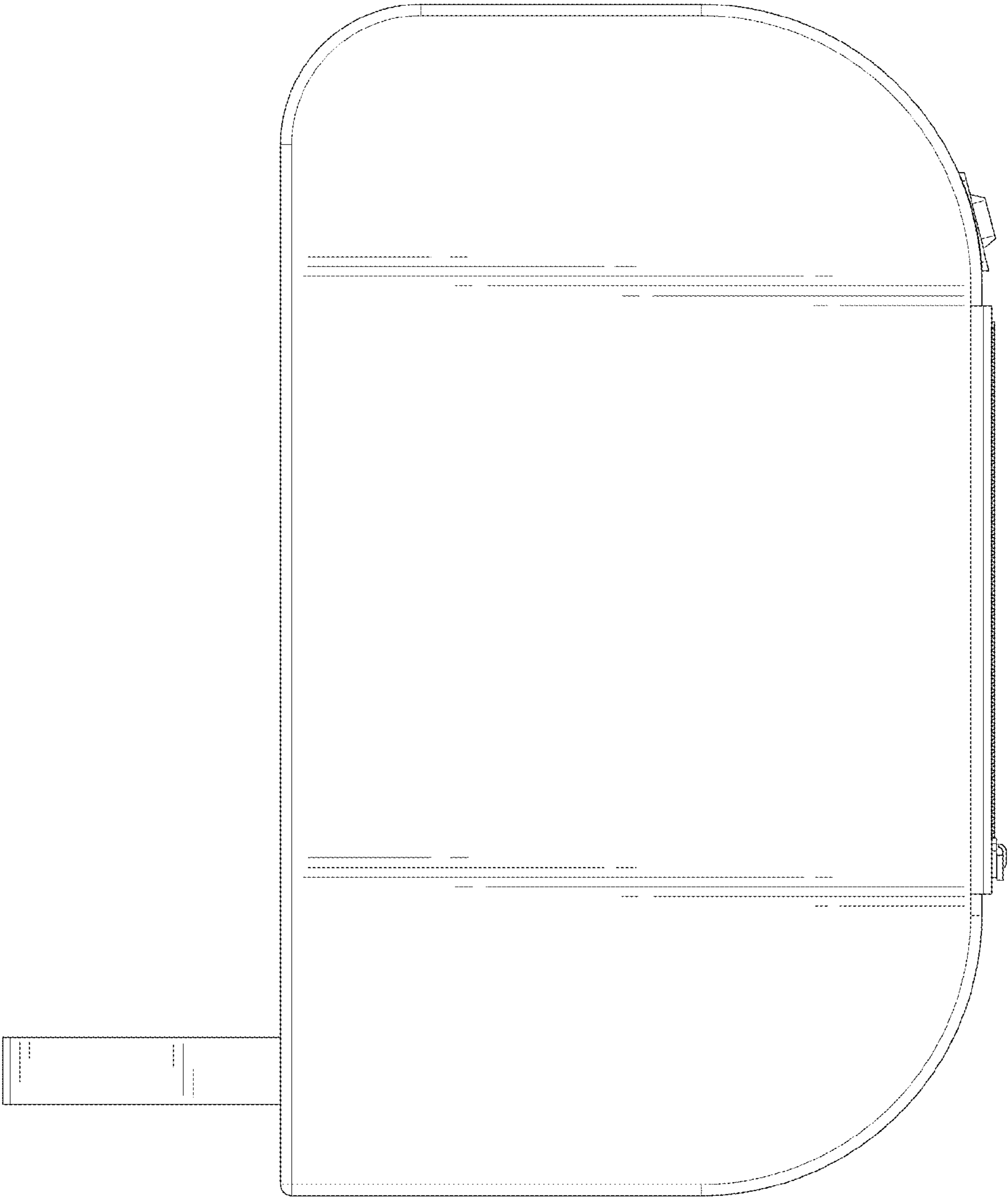


FIG. 7

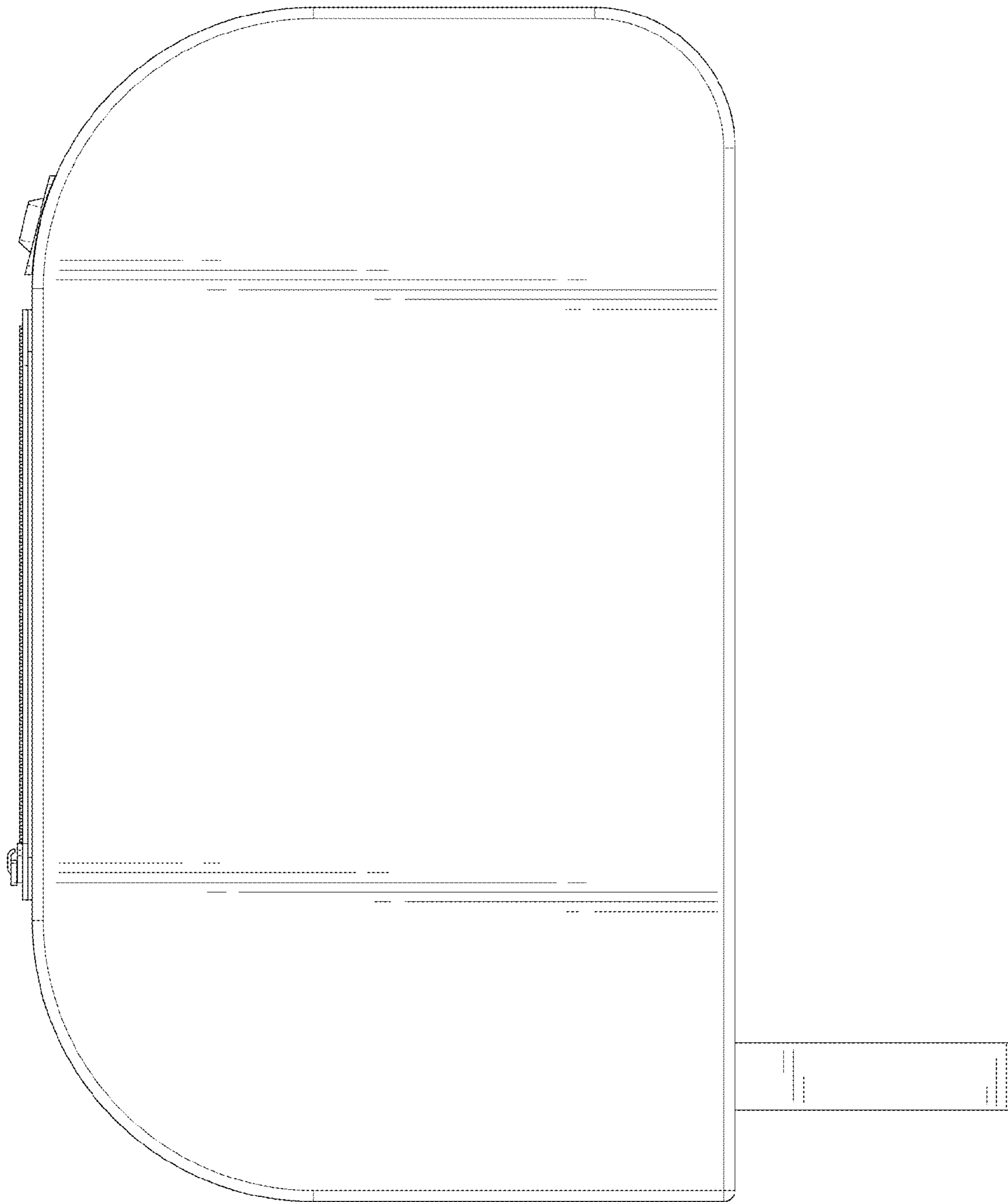


FIG. 8

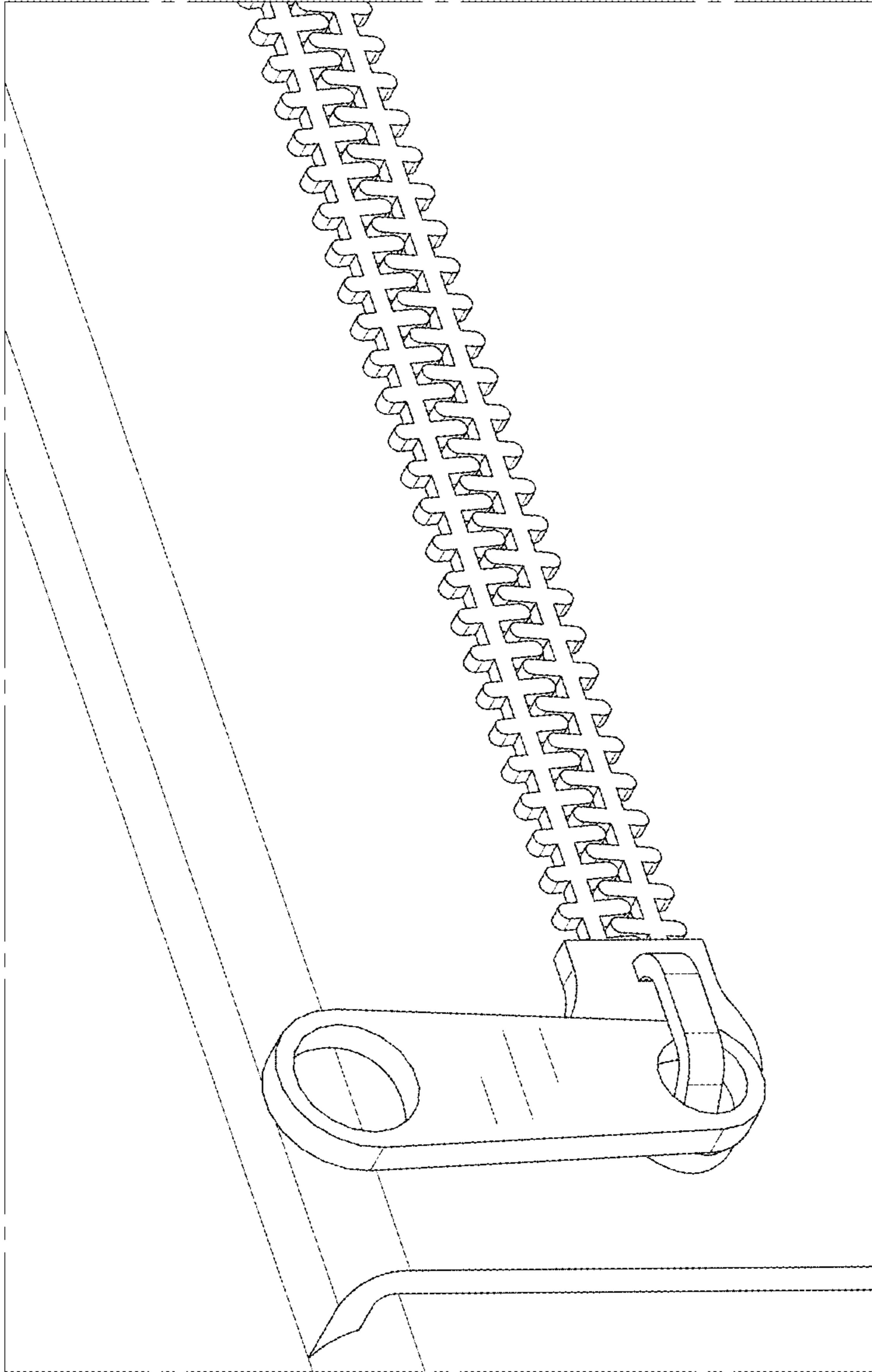


FIG. 9