



US00D981138S

(12) **United States Design Patent** (10) **Patent No.:** **US D981,138 S**  
**Zahner** (45) **Date of Patent:** **\*\* Mar. 21, 2023**

(54) **SHOWER CURTAIN**

(71) Applicant: **Zahner Design Group, Ltd.**, New York, NY (US)

(72) Inventor: **David Zahner**, New York, NY (US)

(73) Assignee: **Zahner Design Group, Ltd.**, New York, NY (US)

(\*\*) Term: **15 Years**

(21) Appl. No.: **29/772,873**

(22) Filed: **Mar. 4, 2021**

**Related U.S. Application Data**

(60) Continuation of application No. 29/732,113, filed on Apr. 21, 2020, now Pat. No. Des. 937,607, which is a continuation of application No. 16/034,812, filed on Jul. 13, 2018, now abandoned, which is a continuation of application No. 14/458,664, filed on Aug. 13, 2014, now Pat. No. 10,045,649, which is a division of application No. 13/564,033, filed on Aug. 1, 2012, now abandoned, which is a continuation of application No. 11/978,532, filed on Oct. 29, 2007, now Pat. No. 8,235,088, which is a continuation of application No. 11/209,334, filed on Aug. 23, 2005, now Pat. No. 7,296,609, which is a continuation of application No. 10/320,340, filed on Dec. 16, 2002, now Pat. No. 6,935,402, which is a continuation of application No. 09/617,402, filed on Jul. 17, 2000, now Pat. No. 6,494,248, and a division of application No. 10/062,588, filed on Jul. 5, 2001, now Pat. No. 7,788,733, which is a continuation of application No. 09/738,555, filed on Dec. 15, 2000, now abandoned, said application No. 10/320,340 is a division of application No. 09/916,603, filed on Jul. 27, 2001, now Pat. No. 7,058,988, which is a continuation of application No. 09/738,545, filed on Dec. 15, 2000, now abandoned.

(51) **LOC (14) Cl.** ..... **06-10**

(52) **U.S. Cl.**  
USPC ..... **D6/580**

(58) **Field of Classification Search**

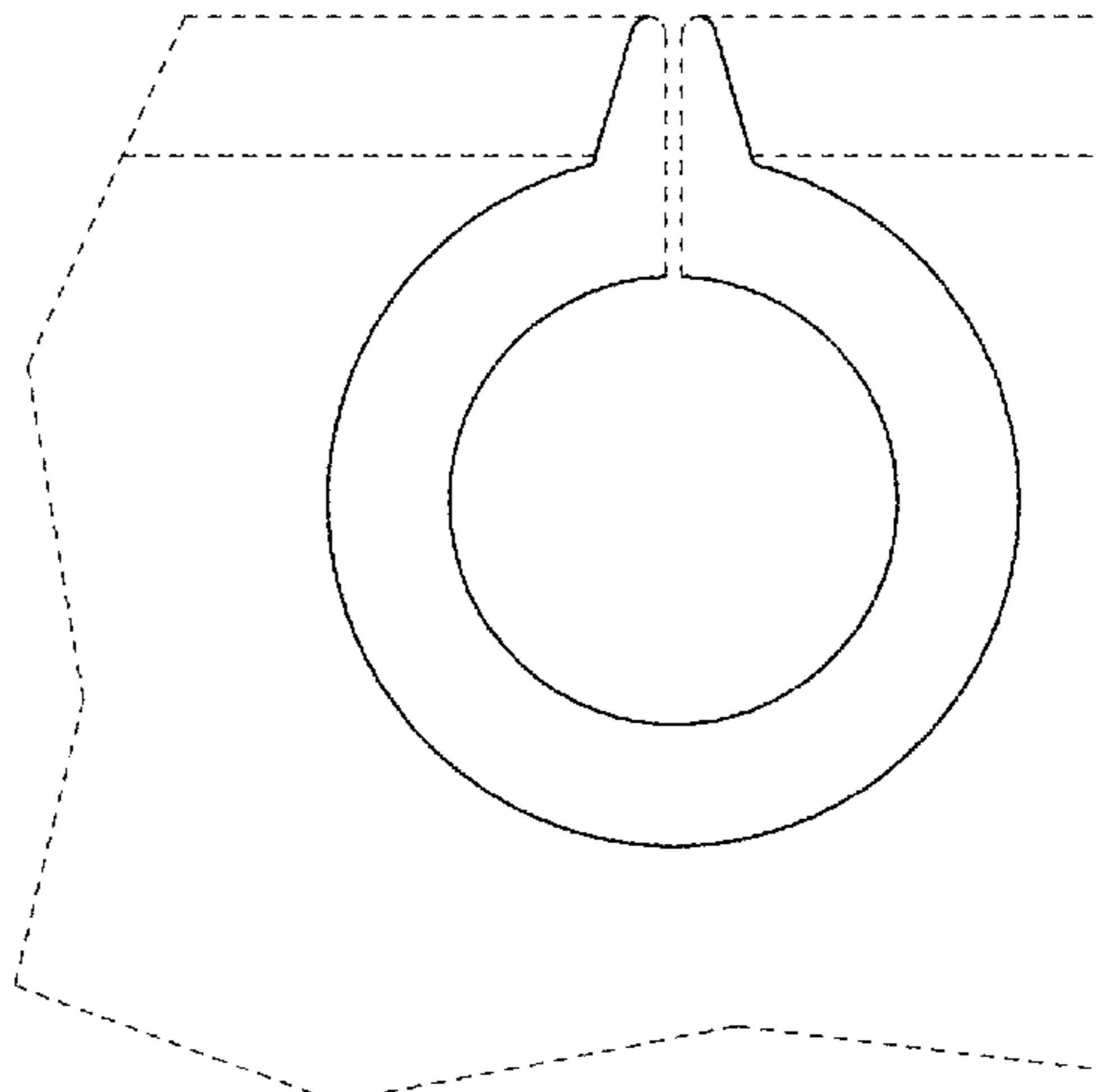
USPC ..... D6/575-581  
CPC .. A47H 1/04; A47H 23/01; A47K 3/38; E06B 2009/425; E06B 2009/583; E06B 2009/785; E06B 9/323; E06B 9/326; E06B 9/388; E06B 9/40; E06B 9/42; E06B 9/36

See application file for complete search history.

(56) **References Cited**

**U.S. PATENT DOCUMENTS**

2,666,481 A	1/1854	White
554,066 A	2/1896	Jager
635,295 A	10/1899	Brown
676,650 A	6/1901	Mendels
759,045 A	5/1904	Tracy
987,983 A	3/1911	Harris
996,886 A	7/1911	Schneider
1,046,836 A	12/1912	Morden
1,193,891 A	8/1916	Greene
1,245,354 A	11/1917	Kirsch
1,338,783 A	5/1920	Lobar
1,345,547 A	7/1920	McDonald
1,564,301 A	12/1925	Wilson
1,687,859 A	10/1928	Fontaine
1,831,776 A	11/1931	Nelson
1,957,096 A	5/1934	Connell
1,990,278 A	2/1935	Freidmann
2,011,815 A	8/1935	Johnson
2,093,069 A	9/1937	Geller
2,167,651 A	8/1939	Hess
2,180,328 A	11/1939	Carey
2,247,846 A	7/1941	Perlman
2,422,963 A	6/1947	Alexander
2,551,384 A	5/1951	Middleton et al.
2,613,368 A	10/1952	Rosenbaum
2,629,436 A	2/1953	Alexander
2,711,555 A	6/1955	Hanson
2,828,900 A	4/1958	Le Roy
2,831,538 A	4/1958	Lishman
2,848,163 A	8/1958	Van Horne
2,888,226 A	5/1959	Andriot et al.
2,897,535 A	8/1959	Radler
2,952,315 A	9/1960	Brontman
2,962,335 A	11/1960	Benson
2,966,695 A	1/1961	Dwyer
3,037,731 A	6/1962	Lickliger
3,115,181 A	12/1963	Snyder
3,148,726 A	9/1964	Gerard
3,178,760 A	4/1965	Kalal et al.



# US D981,138 S

3,192,994 A	7/1965	Graber et al.	D669,721 S	10/2012	Zahner
3,196,511 A	7/1965	Kintner	D705,040 S	5/2014	Konrad
3,312,273 A	4/1967	Adam	D761,639 S *	7/2016	Hsu ..... D8/367
3,315,683 A	4/1967	Rodriguez et al.	D819,430 S *	6/2018	Xu ..... D8/367
3,346,879 A	10/1967	Buzzeli	D859,964 S *	9/2019	Goskowski ..... D8/367
3,372,729 A	3/1968	Lindenmayer	D937,607 S *	12/2021	Zahner ..... A47H 23/10
3,388,734 A	6/1968	Silvestre			D6/580
3,408,703 A	11/1968	Brandenberg	11,229,329 B2 *	1/2022	Elliott ..... A47H 13/02
3,434,525 A	3/1969	Feldmuehle	D953,847 S *	6/2022	Blair ..... D6/580
3,602,286 A	8/1971	Hachtel	2004/0031576 A1 *	2/2004	Zahner ..... A47H 7/02
3,662,026 A	5/1972	Lawson			160/390
3,697,035 A	10/1972	Baker, Sr.	2006/0037721 A1 *	2/2006	Zahner ..... E06B 9/38
3,705,439 A	12/1972	Cooksey et al.			160/330
3,772,734 A	11/1973	Kimel	2006/0260769 A1	11/2006	Nien
3,871,082 A	3/1975	Pflum	2007/0246174 A1 *	10/2007	Barrese ..... A47H 13/14
3,881,218 A	5/1975	Palmer			160/330
3,897,535 A	7/1975	Lapac et al.	2008/0010739 A1	1/2008	Barrese
4,031,943 A *	6/1977	Silvestre ..... A47H 1/102	2008/0072403 A1	3/2008	Peck
		160/348	2008/0098570 A1	5/2008	Ifland
4,070,735 A	1/1978	Canaday	2008/0178423 A1 *	7/2008	Patel ..... A47K 3/38
4,166,494 A	9/1979	Utting			16/87.2
4,193,704 A	3/1980	Bushman et al.	2008/0202710 A1	8/2008	Zahner
4,202,059 A	5/1980	Faragher, Jr.	2009/0236843 A1	9/2009	Rowe
4,430,015 A	2/1984	Nerlinger	2010/0065229 A1	3/2010	Hu
4,479,733 A	10/1984	Segal	2011/0219533 A1 *	9/2011	Hu ..... A47K 3/38
D276,212 S	11/1984	Villanueva			4/610
4,718,962 A	1/1988	Goodwin	2011/0225774 A1 *	9/2011	Seddon ..... A47H 1/04
4,809,401 A	3/1989	Honig			16/94 D
4,820,075 A	4/1989	Osono	2012/0000616 A1 *	1/2012	DeWees ..... A47H 1/18
4,928,743 A	5/1990	Wojtysiak			160/330
4,954,378 A	9/1990	Goodman	2015/0007950 A1 *	1/2015	Ho ..... A47H 13/02
D322,211 S	12/1991	Gary			160/348
5,101,877 A	4/1992	Subecz et al.	2015/0083345 A1	3/2015	Buxkemper-Odenkirk
5,111,868 A	5/1992	Sawaya	2015/0173549 A1 *	6/2015	Zahner ..... A47H 1/144
5,186,232 A *	2/1993	Zahner ..... A47H 23/10			160/330
		160/390	2017/0049275 A1 *	2/2017	Hsu ..... A47K 3/38
D348,386 S	7/1994	Cogburn	2018/0020861 A1 *	1/2018	Beyda ..... A47H 23/00
5,367,742 A	11/1994	Bindman			160/124
5,421,059 A	6/1995	Letters, Jr.	2018/0235407 A1 *	8/2018	Rong ..... A47K 3/38
5,560,417 A	10/1996	Smiley	2018/0317689 A1 *	11/2018	Zahner ..... A47K 3/38
5,590,972 A	1/1997	Shobin			
5,769,144 A	6/1998	Carter			
5,806,141 A	9/1998	Kolisch			
D403,909 S	1/1999	Chen			
5,890,604 A	4/1999	Heinz			
6,012,594 A	1/2000	Heinz			
6,059,009 A	5/2000	Haiber			
6,109,456 A	8/2000	Heinz			
6,138,324 A	10/2000	Lin			
6,189,597 B1 *	2/2001	Cheng ..... A47H 13/02			
		24/716			
6,212,688 B1	4/2001	Leslie			
6,390,713 B1	5/2002	Moor et al.			
D465,188 S	11/2002	McCoy			
6,494,248 B1 *	12/2002	Zahner ..... A47K 3/38			
		160/390			
6,514,588 B2 *	2/2003	Rosenbaum ..... G09F 3/02			
		40/340			
6,532,625 B1	3/2003	Stone			
6,546,571 B2	4/2003	Samelson			
6,866,082 B1 *	3/2005	Zahner ..... A47K 3/38			
		160/390			
6,935,402 B2	8/2005	Zahner			
7,003,848 B2	2/2006	Ho			
7,058,988 B1 *	6/2006	Zahner ..... A41D 27/22			
		2/271			
D551,950 S *	10/2007	Davenport ..... D8/367			
7,296,609 B2	11/2007	Zahner			
D583,602 S	12/2008	Pannell			
D594,312 S	6/2009	Clarke			
7,735,189 B2	6/2010	Richardson			
7,788,733 B1 *	9/2010	Zahner ..... A47K 10/02			
		211/113			
7,909,082 B2	3/2011	Peoples			
D647,387 S	10/2011	Pawluk			
8,118,078 B2	2/2012	Freedland			
D664,423 S *	7/2012	Cittadino ..... D8/367			
D668,091 S *	10/2012	Zahner ..... D6/580			

## FOREIGN PATENT DOCUMENTS

EP	0963860	12/1999
GB	1490667	11/1977

## OTHER PUBLICATIONS

Plaintiffs' Memorandum of Law in Support of Motion for Preliminary Injunction, in *Sure Fit Home Products et al. v. Maytex Mills, Inc.*, Civil Action No. 1:21-cv-02169, U.S. District Court, S.D.N.Y. (Dkt. 7).

Defendant Maytex's Memorandum in Opposition to Plaintiffs' Motion for Preliminary Injunction, in *Sure Fit Home Products et al. v. Maytex Mills, Inc.*, Civil Action No. 1:21-cv-02169, U.S. District Court, S.D.N.Y. (Dkt. 34).

Plaintiffs' Reply Brief in Support of Plaintiffs' Motion for Preliminary Injunction, in *Sure Fit Home Products et al. v. Maytex Mills, Inc.*, Civil Action No. 1:21-cv-02169, U.S. District Court, S.D.N.Y. (Dkt. 41).

Order and Opinion on the Preliminary Injunction, in *Sure Fit Home Products et al., v. Maytex Mills, Inc.* Civil Action No. 1:21-cv-02169, U.S. District Court, S.D.N.Y. (Dkt. 54).

Plaintiffs' Memorandum of Law in Support of Motion for Preliminary Injunction, in *Sure Fit Home Products et al., v. Maytex Mills, Inc.*, Civil Action No. 1:21-cv-02169, U.S. District Court, S.D.N.Y. (Dkt. 162).

Defendant's Memorandum in Opposition to Motion for Preliminary Injunction, in *Sure Fit Home Products et al., v. Maytex Mills, Inc.* Civil Action No. 1:21-cv-02169, U.S. District Court, S.D.N.Y. (Dkt. 168).

Plaintiffs' Reply Memorandum of Law in Support of Motion for Preliminary Injunction, in *Sure Fit Home Products et al., v. Maytex Mills, Inc.* Civil Action No. 1:21-cv-02169, U.S. District Court, S.D.N.Y. (Dkt. 172).

Order and Opinion on the Second Preliminary Injunction, in *Sure Fit Home Products et al. v. Maytex Mills, Inc.* Civil Action No. 1:21-cv-02169, U.S. District Court, S.D.N.Y. (Dkt. 215).

\* cited by examiner

*Primary Examiner* — Kevin K Rudzinski  
*Assistant Examiner* — Clare Ann Gannon  
(74) *Attorney, Agent, or Firm* — Goldberg & Cohen LLP

(57) **CLAIM**

I claim the ornamental design for a shower curtain, as shown and described.

**DESCRIPTION**

The sole FIGURE is a front view of the present invention. The broken lines on the shower curtain depict features of the article that form no part of the claimed design. Only the edges of the features shown in solid lines form part of the claim. All surfaces within the broken and solid lines form no part of the claimed design.

**1 Claim, 1 Drawing Sheet**

