



US00D981135S

(12) **United States Design Patent**  
**Mummert**

(10) **Patent No.:** **US D981,135 S**  
(45) **Date of Patent:** **\*\* Mar. 21, 2023**

- (54) **SOAP PUMP WITH CADDY**
- (71) Applicant: **InterDesign, Inc.**, Solon, OH (US)
- (72) Inventor: **Alex Mummert**, Sullivan, OH (US)
- (73) Assignee: **InterDesign, Inc.**, Solon, OH (US)
- (\*\*) Term: **15 Years**

D486,336 S *	2/2004	Snell .....	D6/542
D496,262 S *	9/2004	Dretzka .....	D6/542
D531,844 S *	11/2006	Snell .....	D6/542
D559,600 S *	1/2008	Snell .....	D6/542
D563,704 S *	3/2008	Snell .....	D6/542
D581,193 S *	11/2008	Ghiorghie .....	D6/542
D642,840 S *	8/2011	Dretzka .....	D6/542
D831,997 S *	10/2018	Snell .....	D6/542

(Continued)

- (21) Appl. No.: **29/844,658**
- (22) Filed: **Jun. 30, 2022**

**Related U.S. Application Data**

- (60) Continuation of application No. 29/795,490, filed on Jun. 18, 2021, now Pat. No. Des. 957,852, which is a continuation of application No. 29/754,469, filed on Oct. 12, 2020, now Pat. No. Des. 923,959, which is a continuation of application No. 29/733,290, filed on Apr. 30, 2020, now Pat. No. Des. 898,407, which is a division of application No. 29/705,659, filed on Sep. 13, 2019, now Pat. No. Des. 948,240, which is a continuation of application No. 29/648,998, filed on May 25, 2018, now Pat. No. Des. 862,922.

- (51) **LOC (14) Cl.** ..... **23-02**
- (52) **U.S. Cl.**

USPC ..... **D6/542**

- (58) **Field of Classification Search**

USPC ..... D6/542, 545, 543, 544, 553, 566, 567,  
D6/524, 525, 532, 536-537, 540, 320,  
D6/512, 513; D32/40, 52, 55-56, 45;  
D7/637; D3/304

CPC ... A47K 5/12; A47K 1/09; A47K 1/08; A47K  
3/281; A47K 7/02; A47K 7/00; A47J  
47/20

See application file for complete search history.

- (56) **References Cited**

**U.S. PATENT DOCUMENTS**

D341,973 S *	12/1993	Gerstmar .....	D6/524
D450,506 S *	11/2001	Hoernig .....	D6/545

**OTHER PUBLICATIONS**

Bed Bath & Beyond website, InterDesign Soap Pump Dispenser Caddy in Brushed Stainless Steel, Oct. 31, 2018, <https://www.bedbathandbeyond.com/store/review/product/interdesign-soap-pump-dispenser-caddy-in-brushed-stainless-steel/5035182> (Year: 2018).\*

*Primary Examiner* — Nathan M Johnston

(74) *Attorney, Agent, or Firm* — Calfee, Halter & Griswold LLP

- (57) **CLAIM**

I claim the ornamental design for a soap pump with caddy, as shown and described.

**DESCRIPTION**

FIG. 1 is a front/left/top perspective view of a soap pump with caddy (a front/right/top perspective view would be a mirror image thereof);

FIG. 2 is a rear/right/bottom perspective view thereof (a rear/left/bottom perspective view would be a mirror image thereof);

FIG. 3 is a front elevational view thereof;

FIG. 4 is a rear elevational view thereof;

FIG. 5 is a left side elevational view thereof;

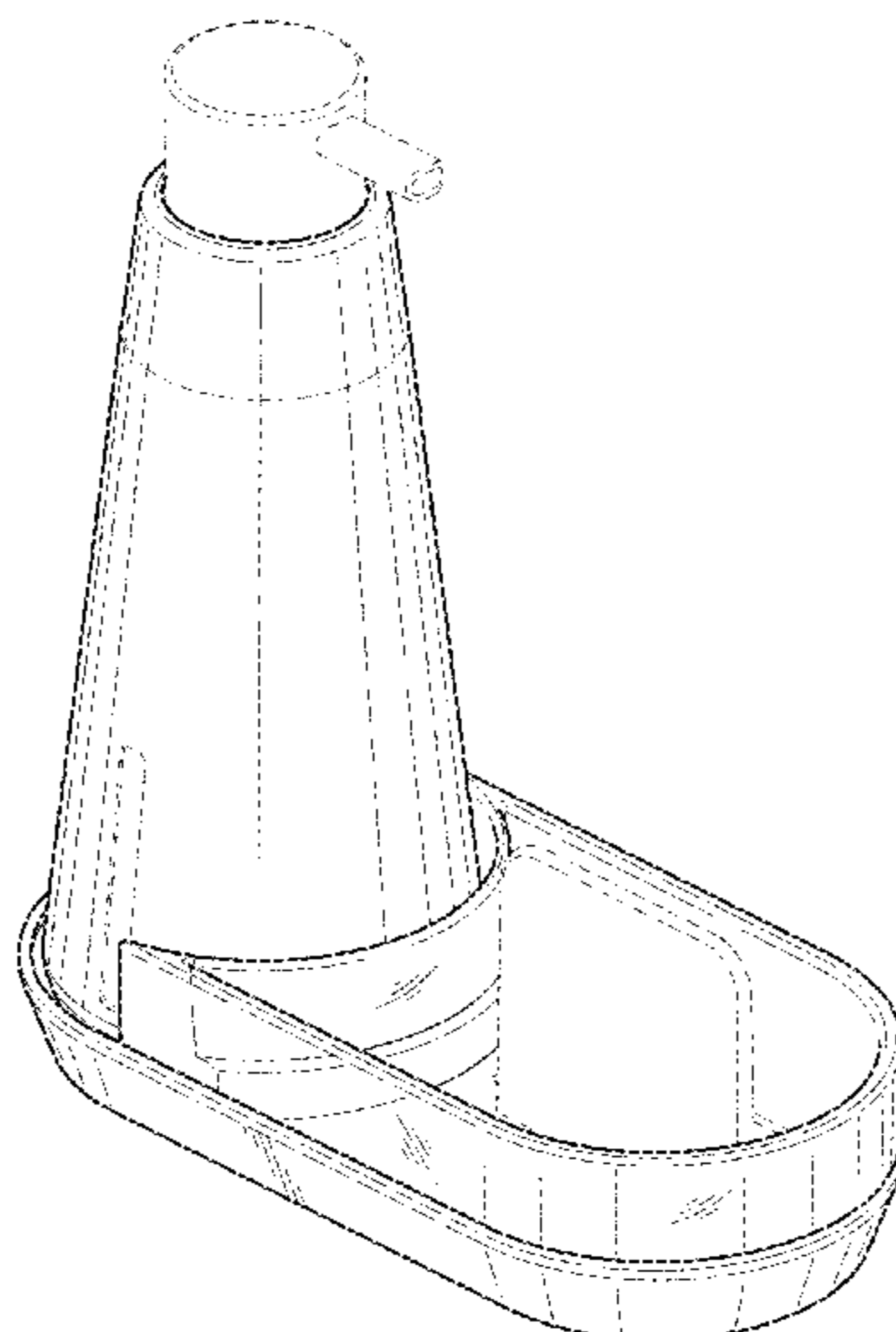
FIG. 6 is a right side elevational view thereof;

FIG. 7 is a top plan view thereof; and,

FIG. 8 is a bottom plan view thereof.

The broken lines show portions of the soap pump with caddy that form no part of the claimed design.

**1 Claim, 6 Drawing Sheets**



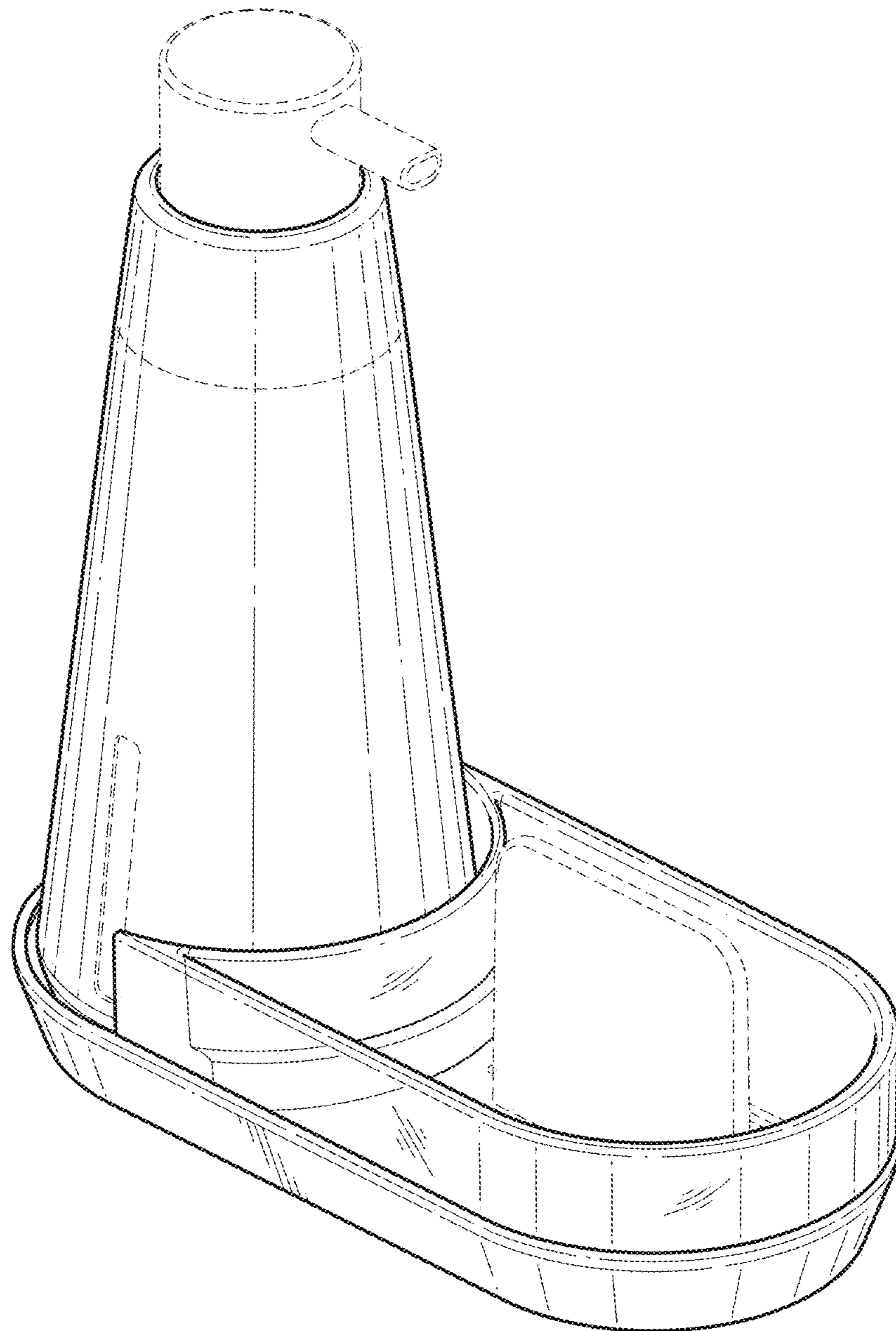
(56)

**References Cited**

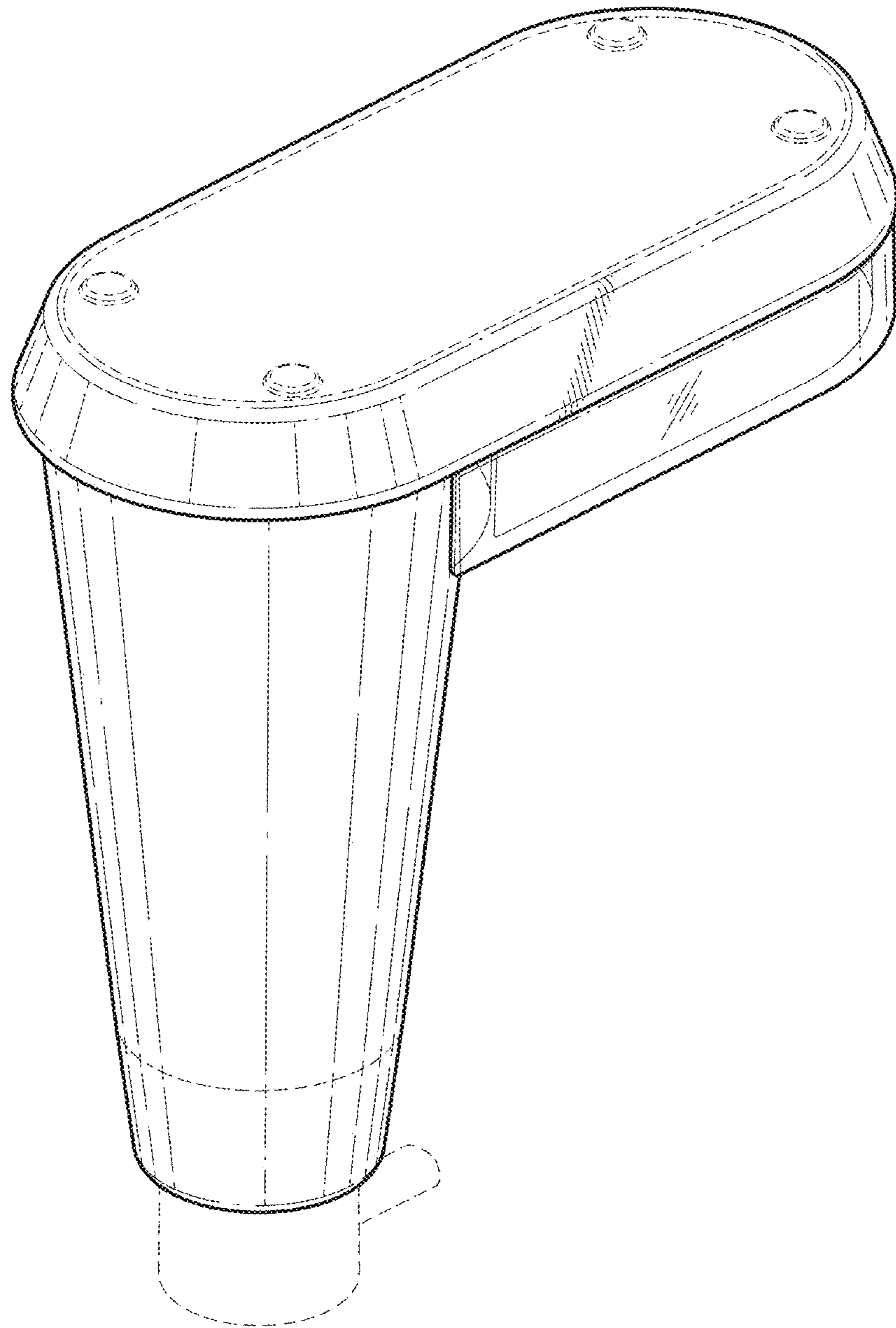
U.S. PATENT DOCUMENTS

D897,212 S \* 9/2020 Goodman ..... D9/523  
D915,101 S \* 4/2021 Rush ..... D6/542  
D919,321 S \* 5/2021 Stelmarski ..... D6/542

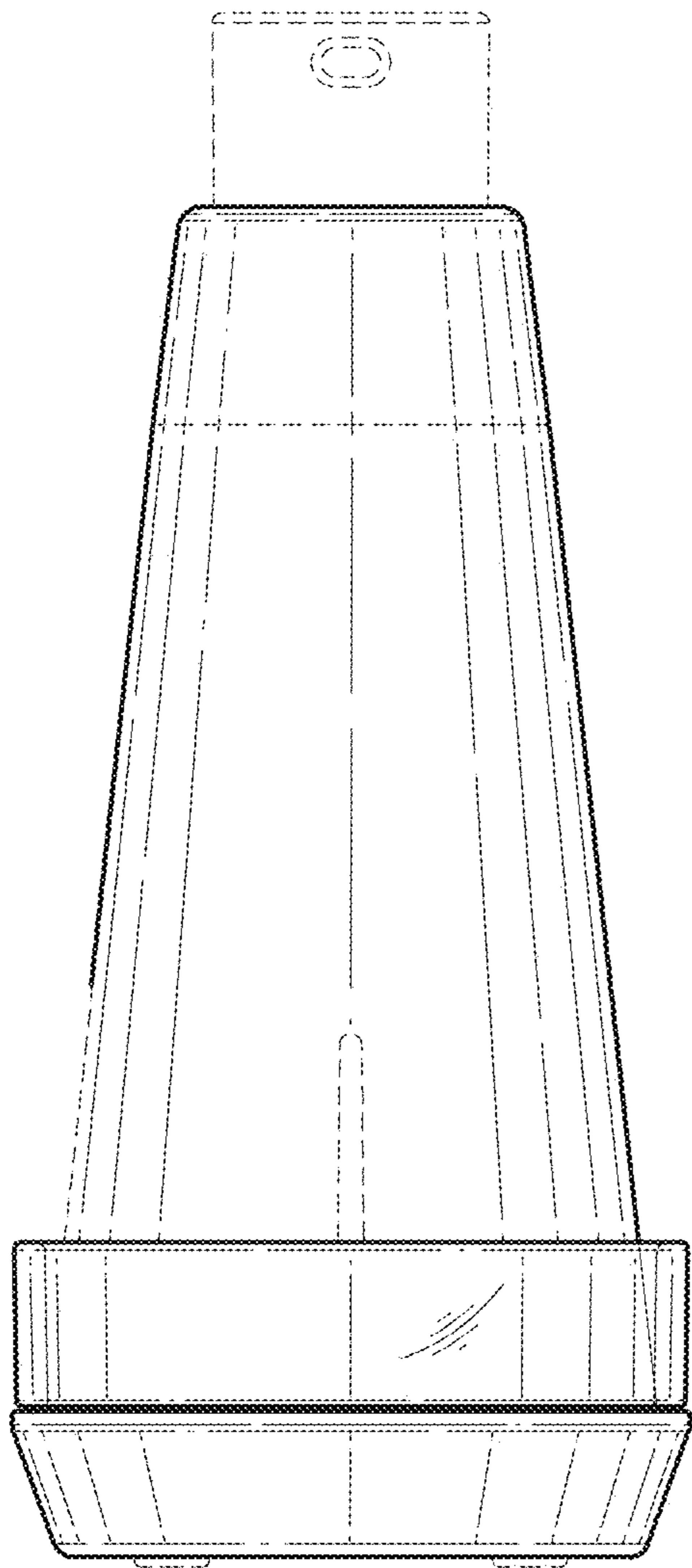
\* cited by examiner



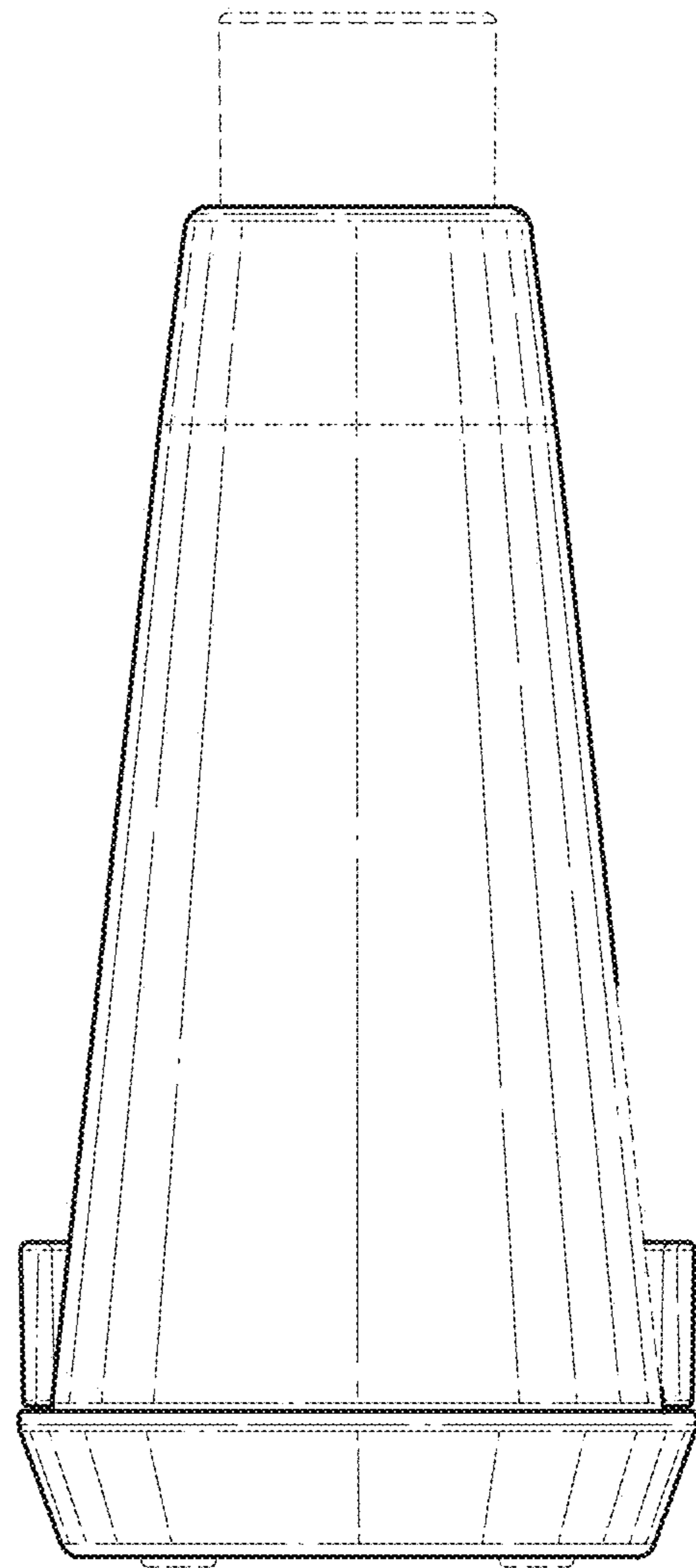
**FIG. 1**



**FIG. 2**

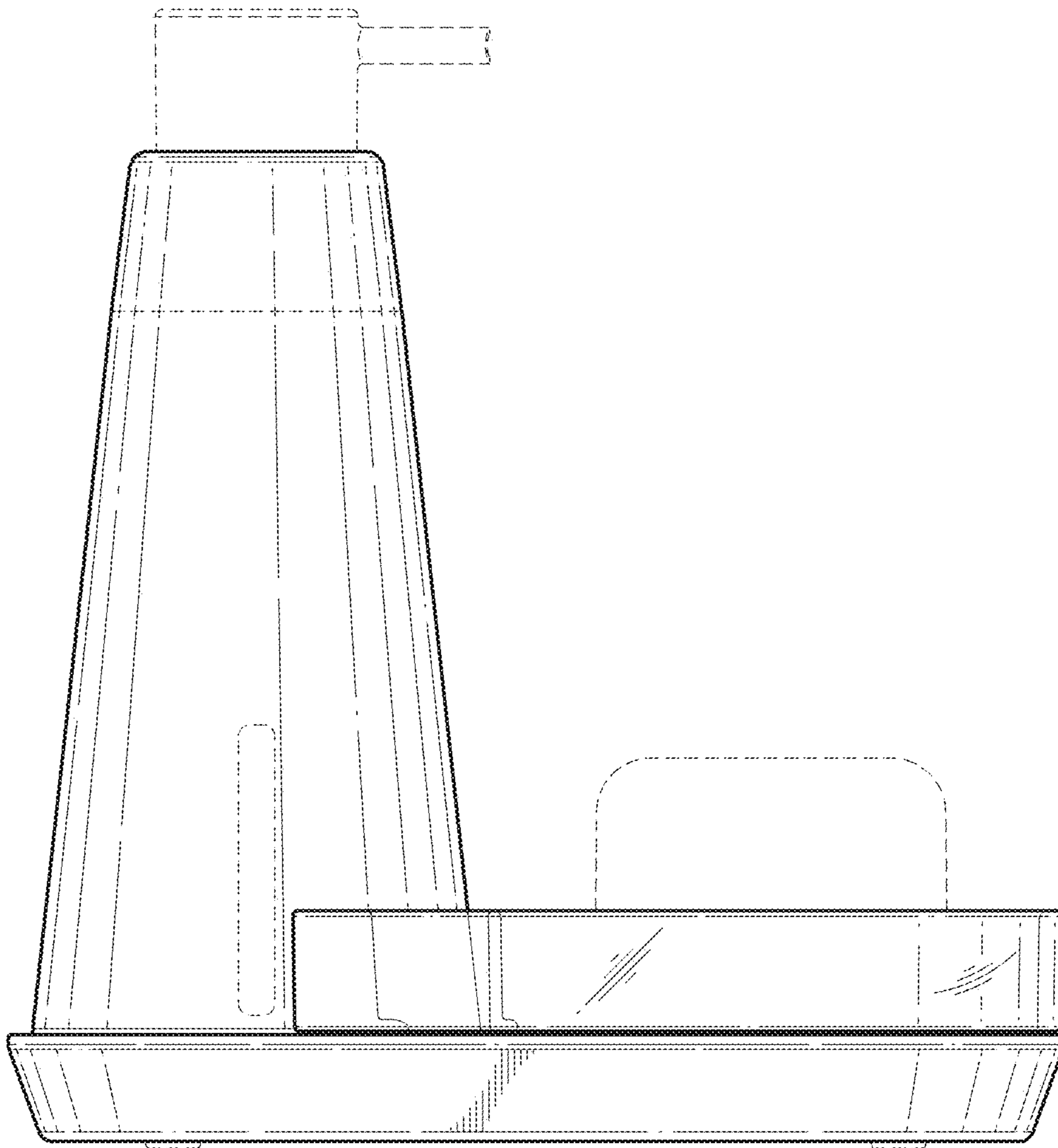


**FIG. 3**

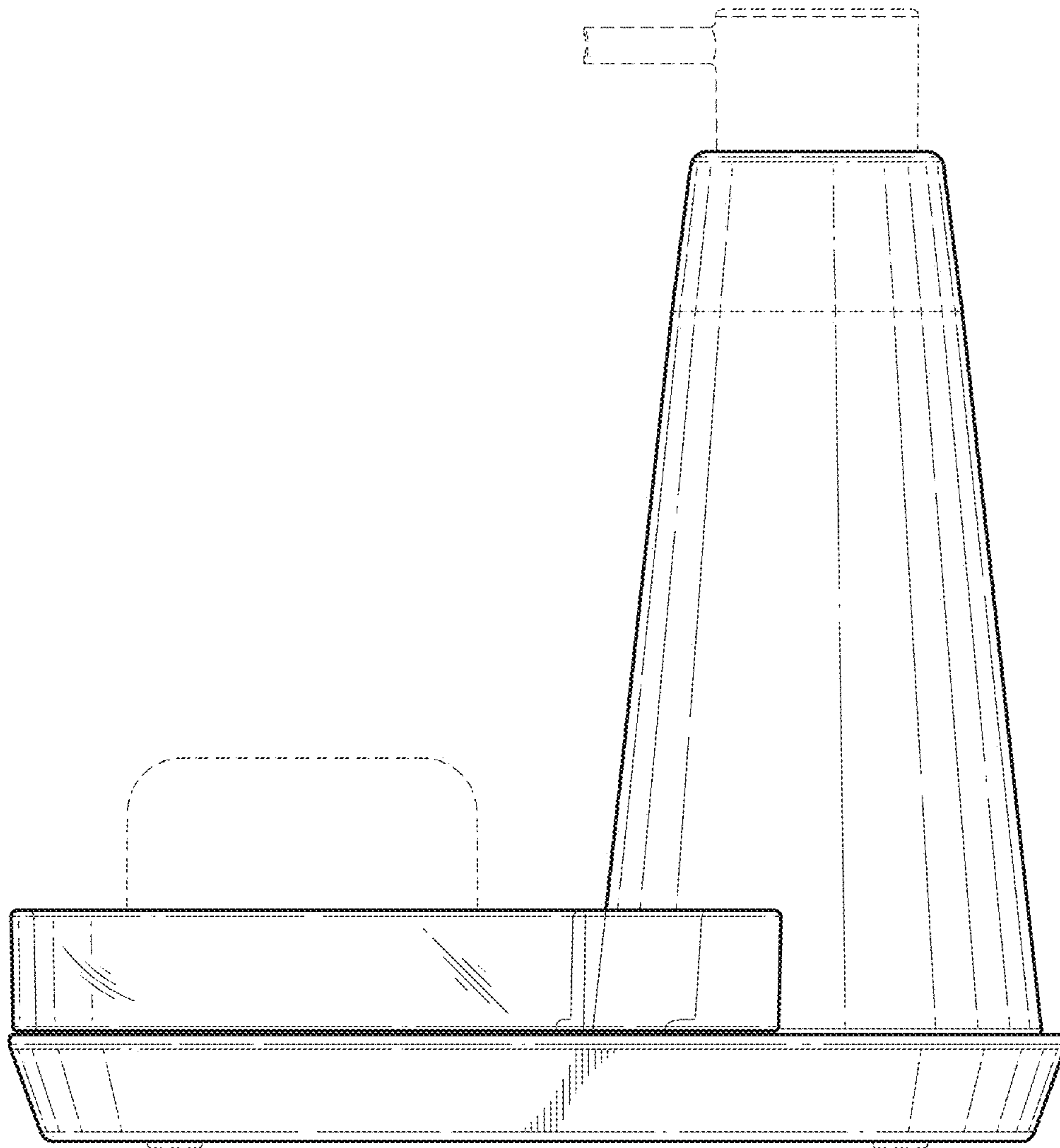


**FIG. 4**

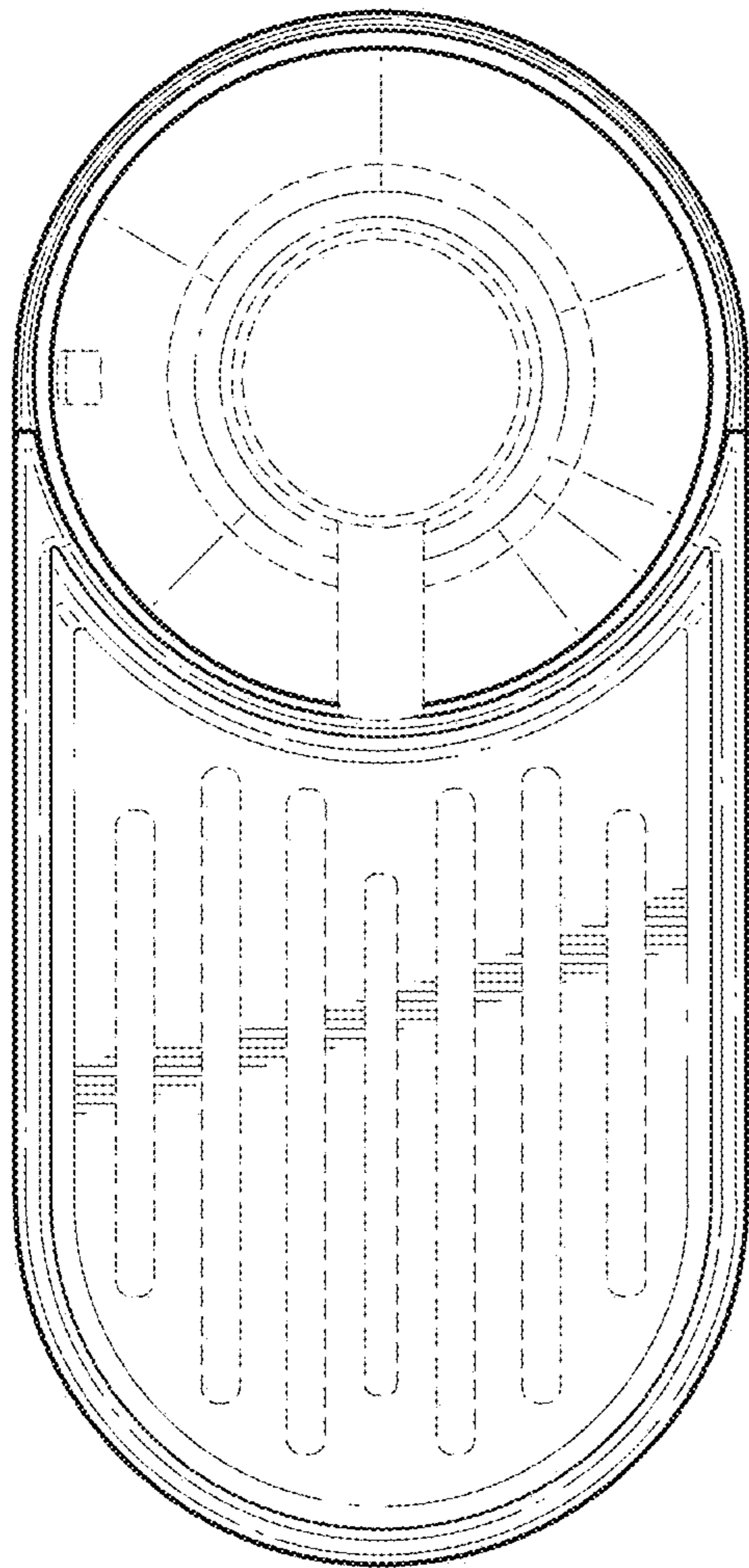




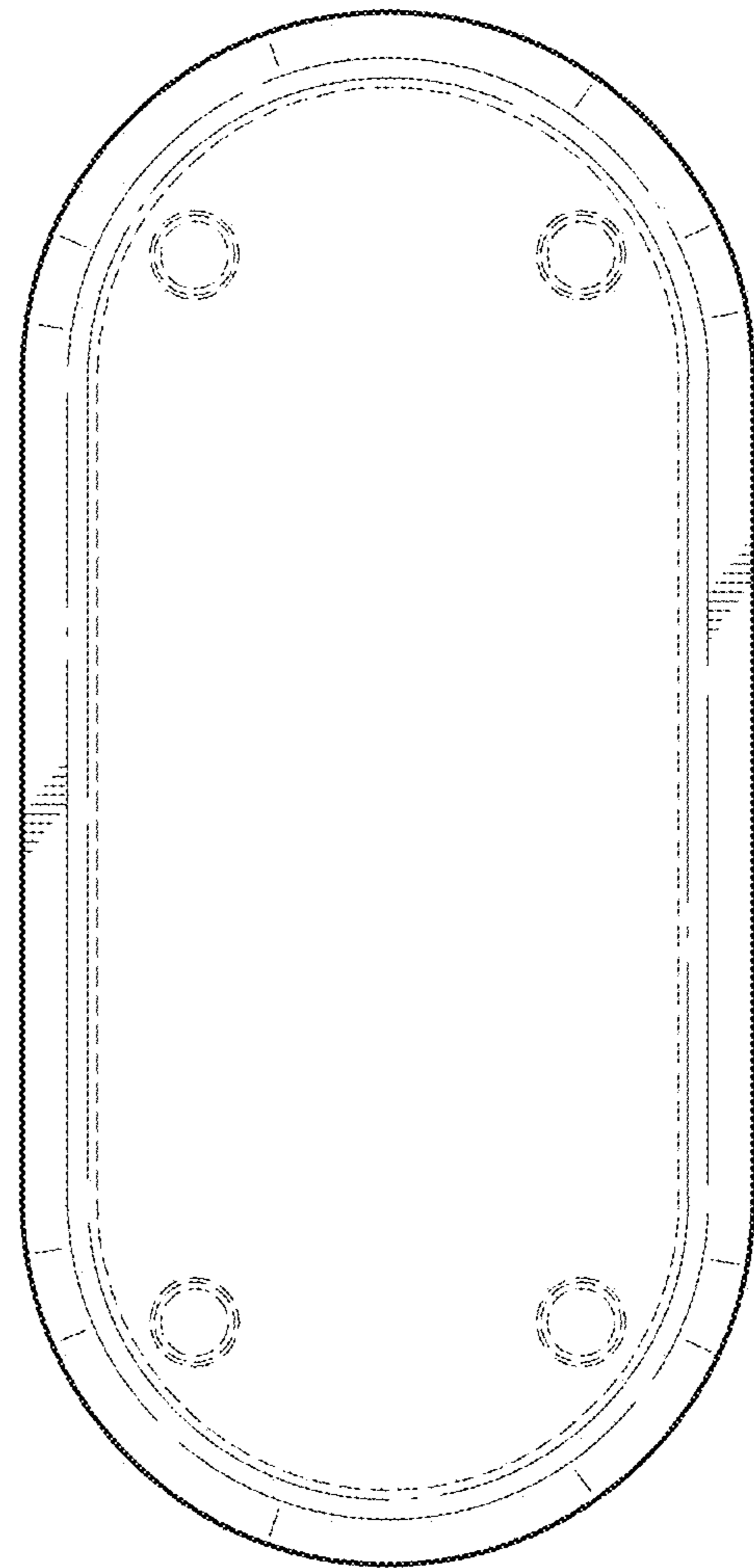
**FIG. 5**



**FIG. 6**



**FIG. 7**



**FIG. 8**