



US00D981134S

(12) **United States Design Patent**
Chen

(10) **Patent No.:** **US D981,134 S**

(45) **Date of Patent:** **** Mar. 21, 2023**

- (54) **TOOTHPASTE SQUEEZER**
- (71) Applicant: **Songchao Chen**, Guangzhou (CN)
- (72) Inventor: **Songchao Chen**, Guangzhou (CN)
- (**) Term: **15 Years**
- (21) Appl. No.: **29/854,346**
- (22) Filed: **Sep. 23, 2022**
- (30) **Foreign Application Priority Data**
 - Aug. 5, 2022 (CN) 202230509498.X
- (51) **LOC (14) Cl.** **06-04**
- (52) **U.S. Cl.**
USPC **D6/541**
- (58) **Field of Classification Search**
USPC D6/541; 211/13.1; 222/101, 102, 103,
222/95, 96, 97, 98, 99; 248/108
CPC B65D 35/28; B65D 35/285; B65D 35/32;
Y10T 29/49826; A61B 17/068; A61B
17/07207; A61B 17/0643; A61B 17/072
See application file for complete search history.

- 2,840,273 A * 6/1958 McEwen B65D 35/285
222/98
- 2,896,822 A * 7/1959 Songer B65D 35/34
D6/541
- D199,780 S * 12/1964 English D6/541
- 3,263,862 A * 8/1966 Tazzeo B65D 35/28
222/101
- 3,463,359 A * 8/1969 Piggush B65D 35/34
222/103
- 4,220,260 A * 9/1980 Webster B65D 35/28
222/100
- D317,689 S * 6/1991 Curtis D6/541
- D360,326 S * 7/1995 Fairbanks
- D906,722 S * 1/2021 Zhang D6/541
- 2015/0274376 A1* 10/2015 Weber B65D 35/34
222/100

* cited by examiner

Primary Examiner — Nathan M Johnston

(57) **CLAIM**

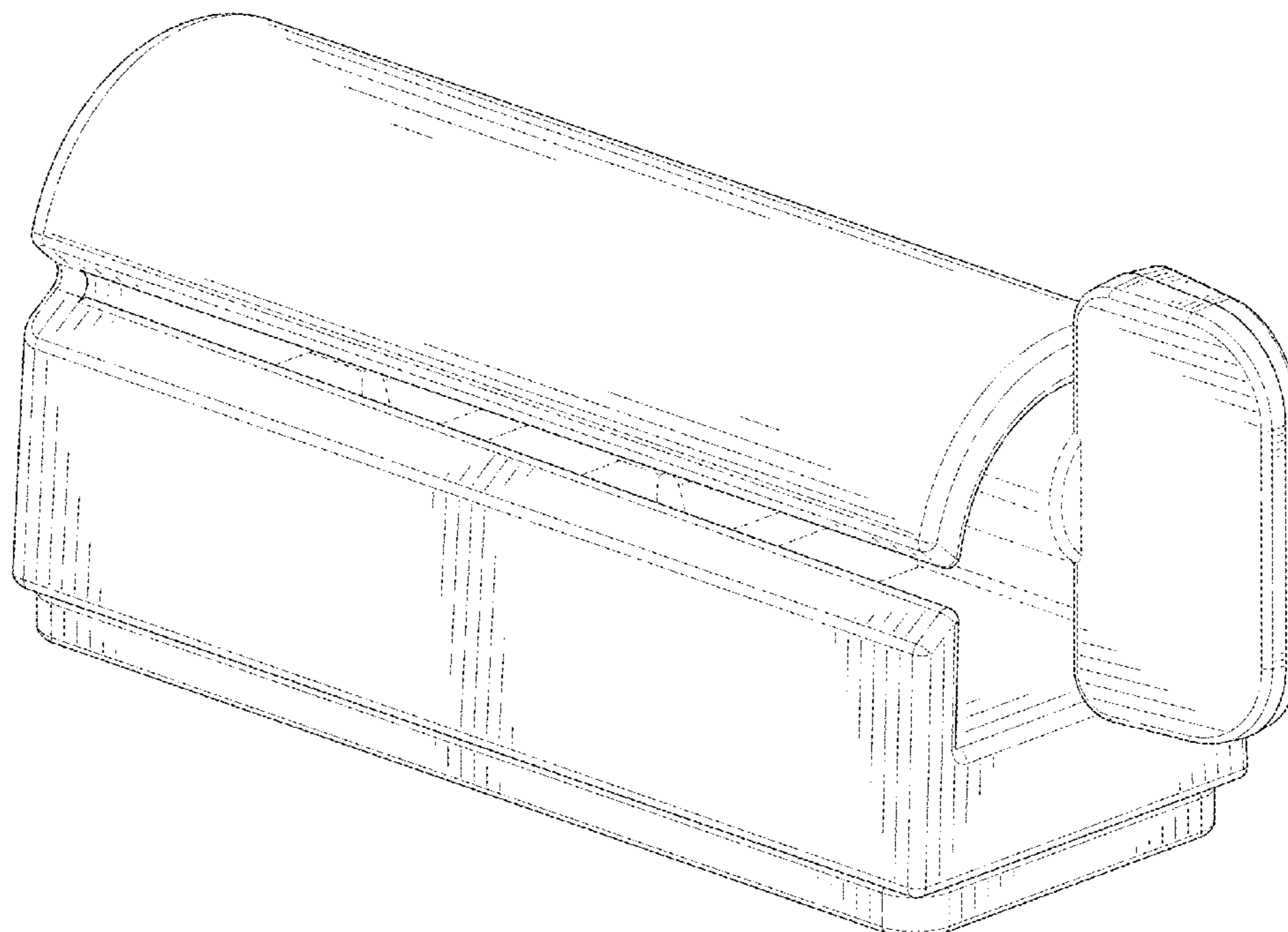
The ornamental design for a toothpaste squeezer, as shown and described.

DESCRIPTION

FIG. 1 is a front and top perspective view of a toothpaste squeezer, showing my new design;
 FIG. 2 is a rear and bottom perspective view thereof;
 FIG. 3 is a front elevation view thereof;
 FIG. 4 is a rear elevation view thereof;
 FIG. 5 is a left side elevation view thereof;
 FIG. 6 is a right side elevation view thereof;
 FIG. 7 is a top plan view thereof; and,
 FIG. 8 is a bottom plan view thereof.
 The broken lines in the figures illustrate portions of the toothpaste squeezer that form no part of the claimed design.

1 Claim, 8 Drawing Sheets

- (56) **References Cited**
 - U.S. PATENT DOCUMENTS
 - 1,543,518 A * 6/1925 Ramsey B65D 35/34
222/97
 - 1,698,834 A * 1/1929 Ury B65D 35/285
248/108
 - 1,826,189 A * 10/1931 Rothwell B65D 35/34
222/97
 - 2,683,555 A * 7/1954 Brandstetter B65D 35/34
222/93



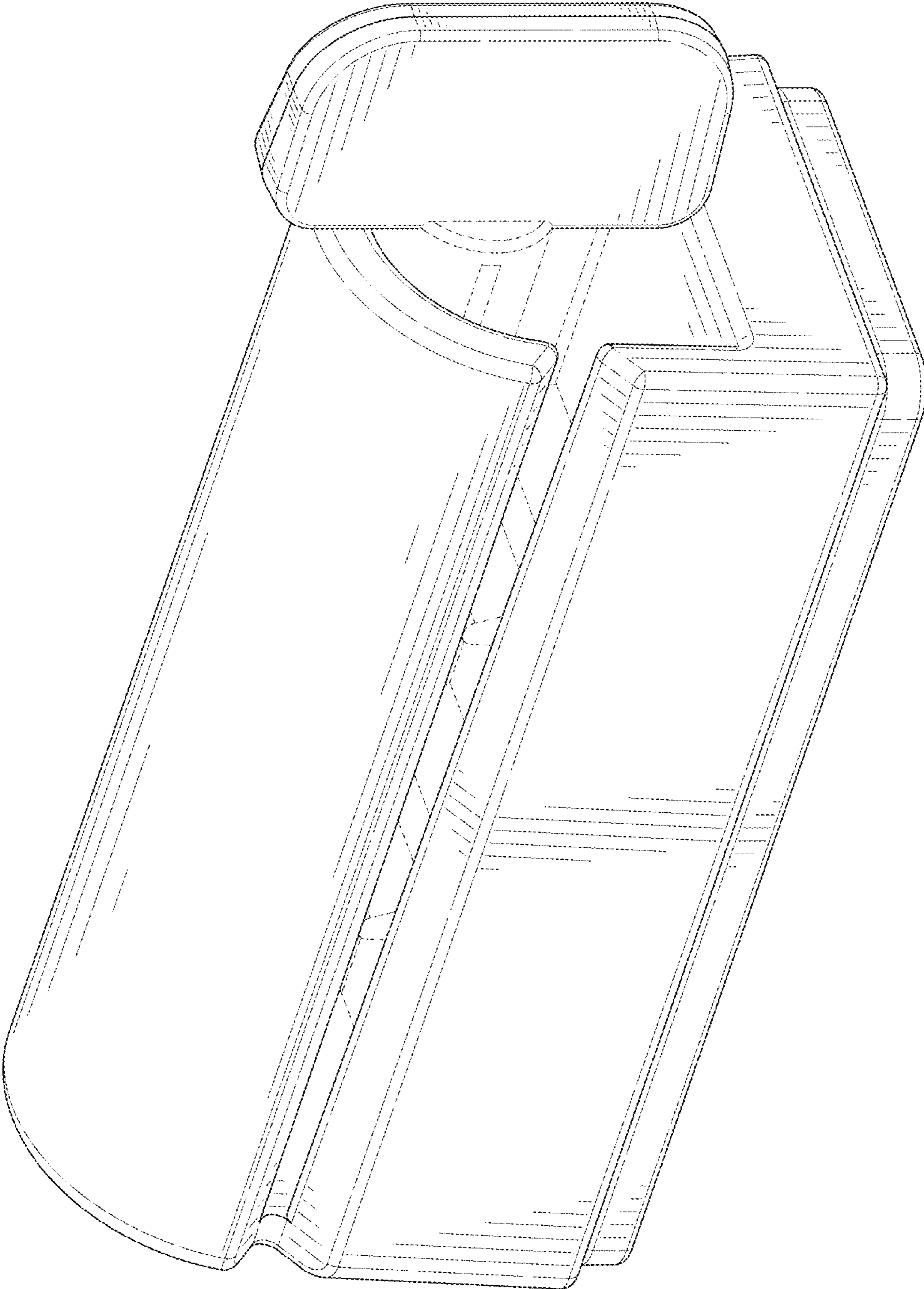


FIG. 1

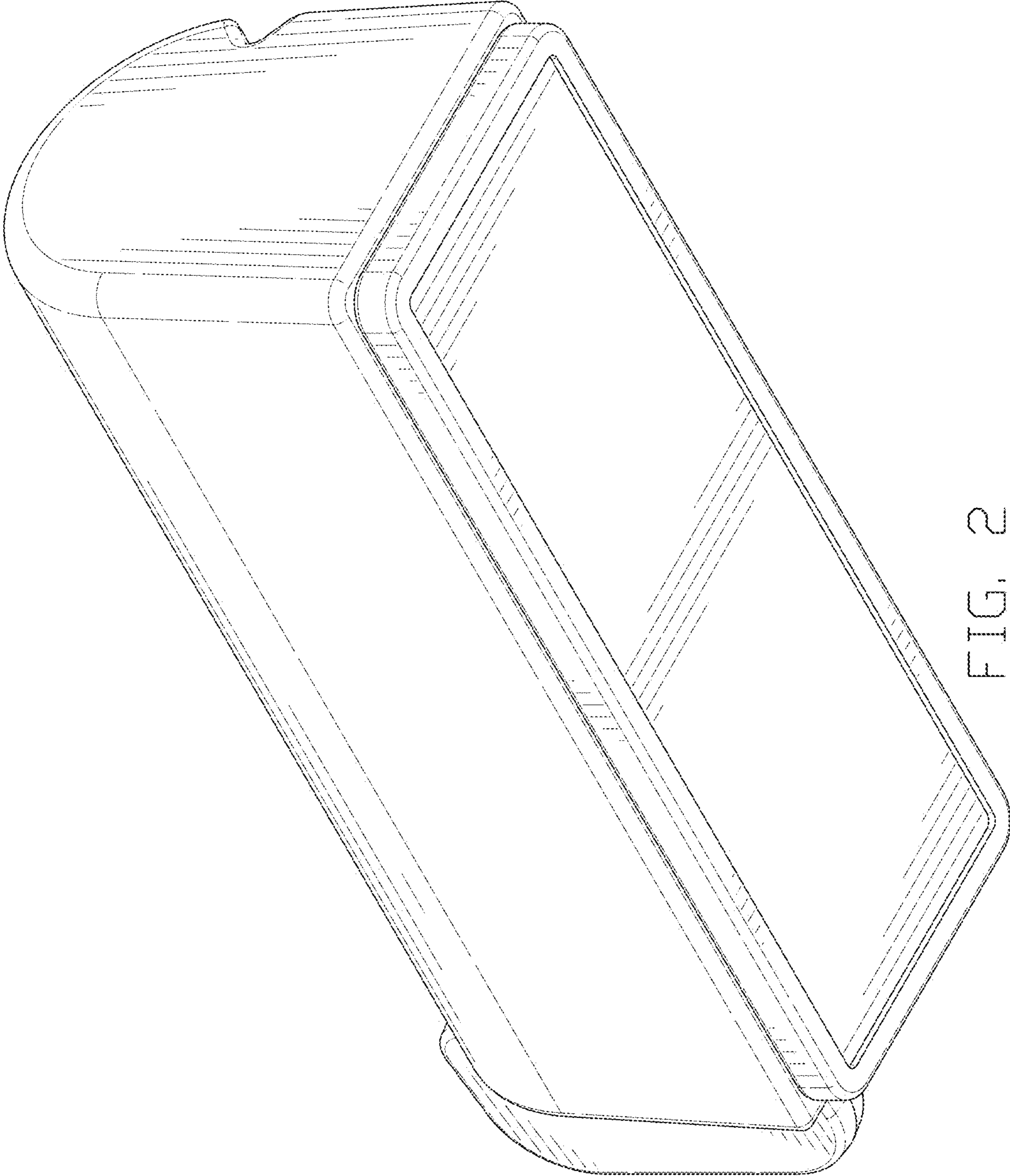


FIG. 2

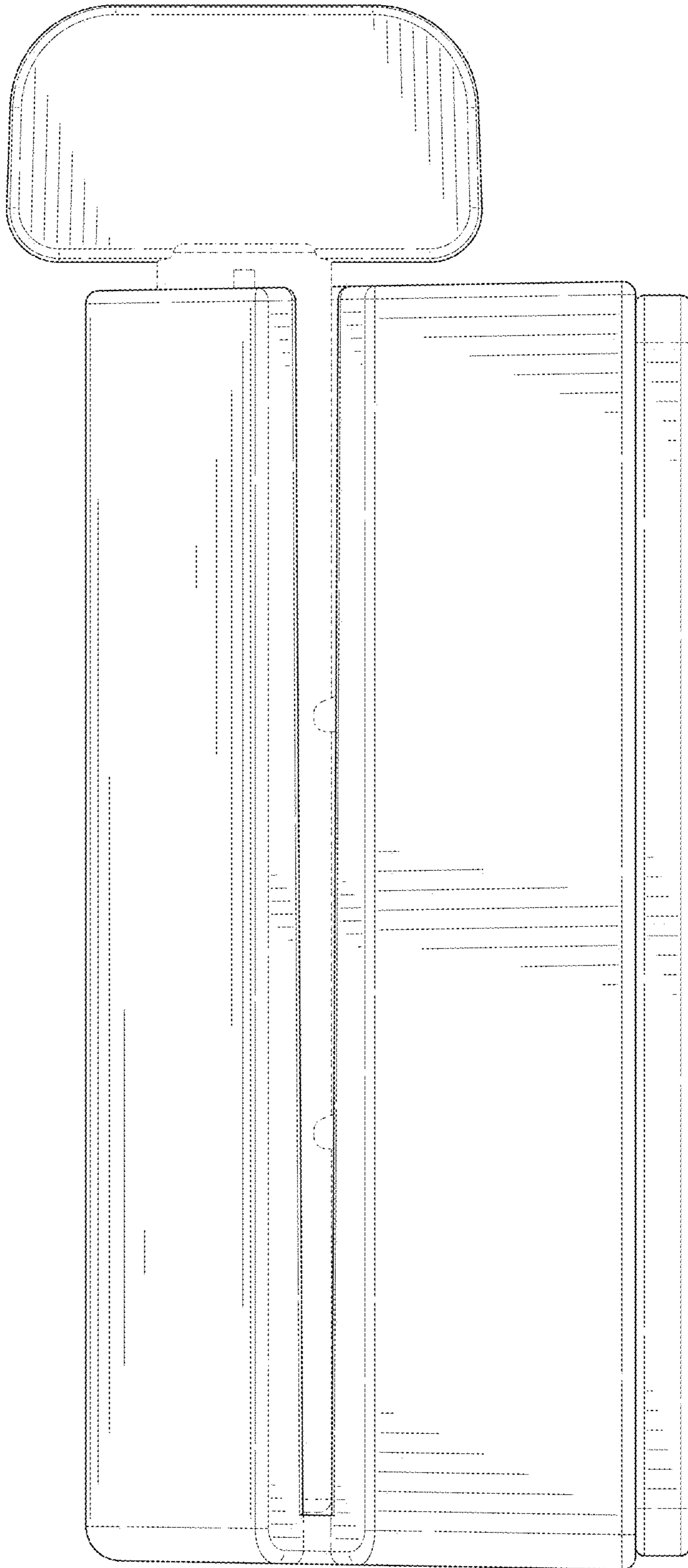


FIG. 3

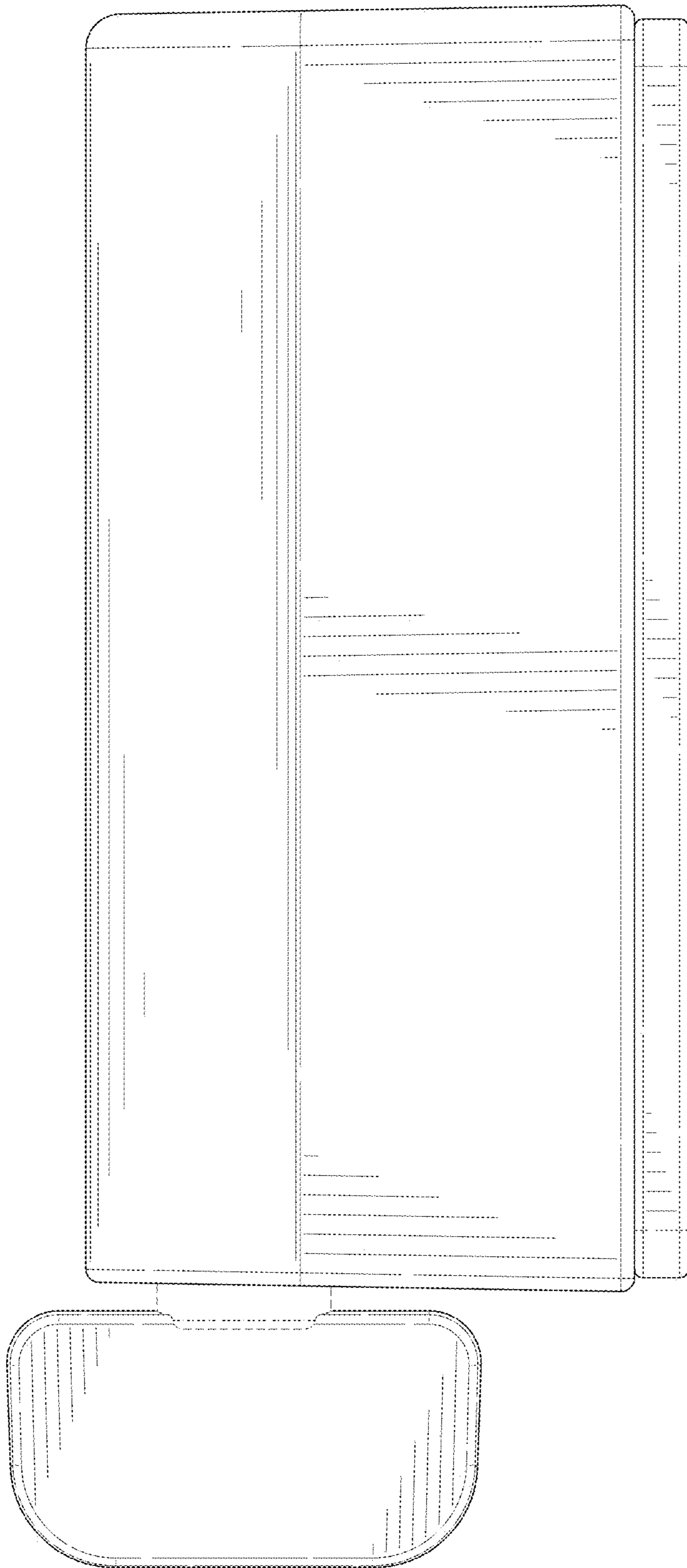


FIG. 4

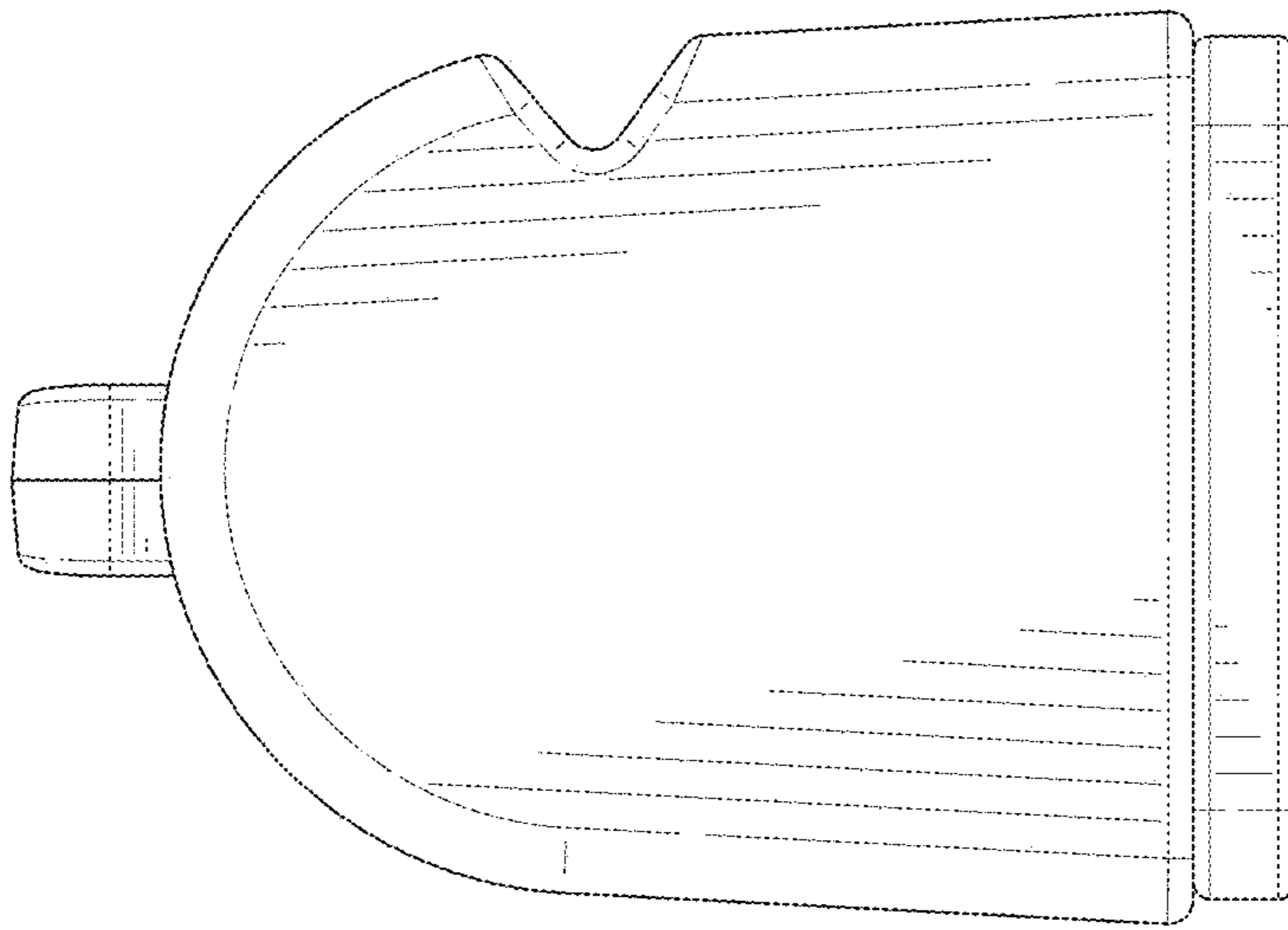


FIG. 5

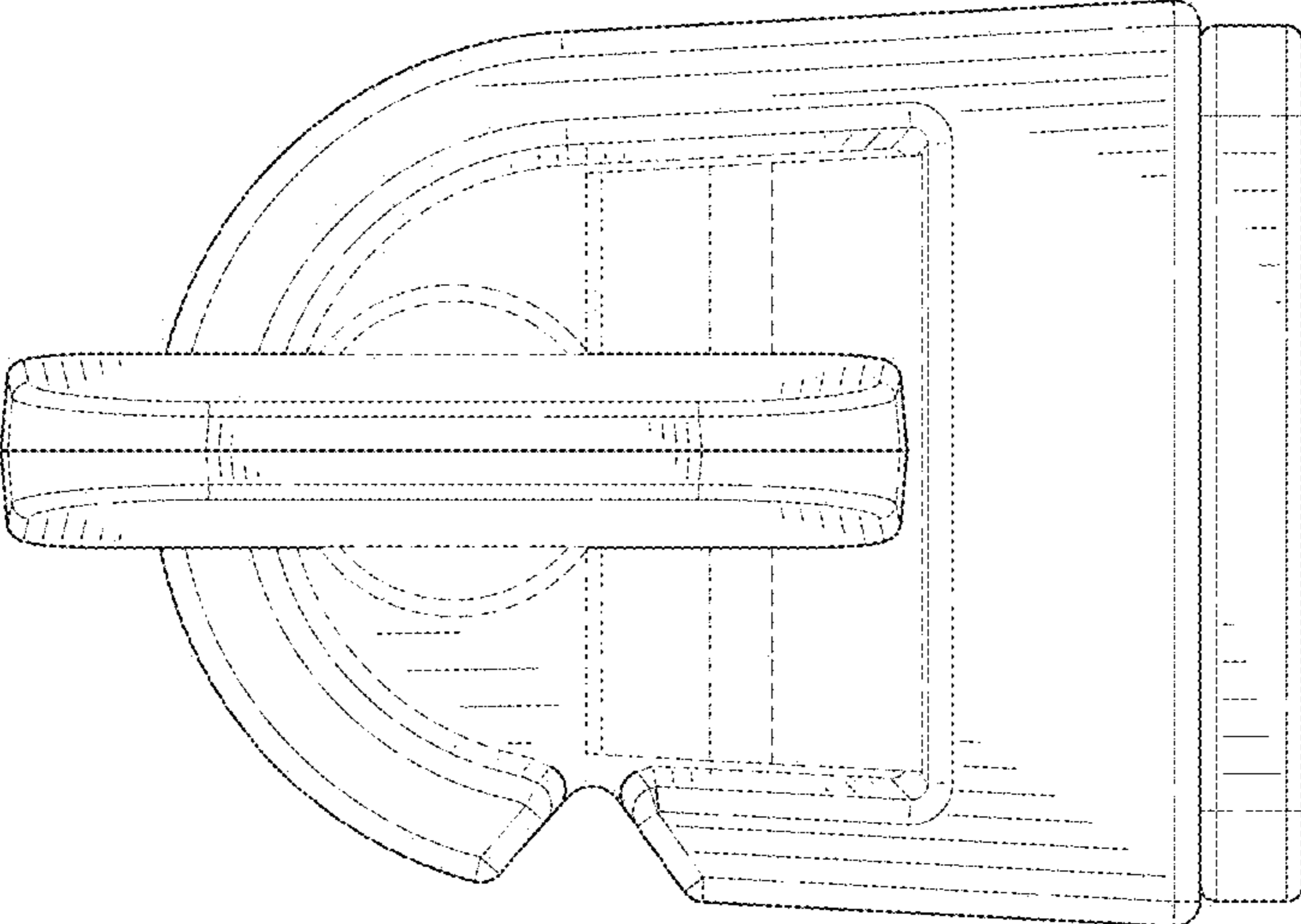


FIG. 6

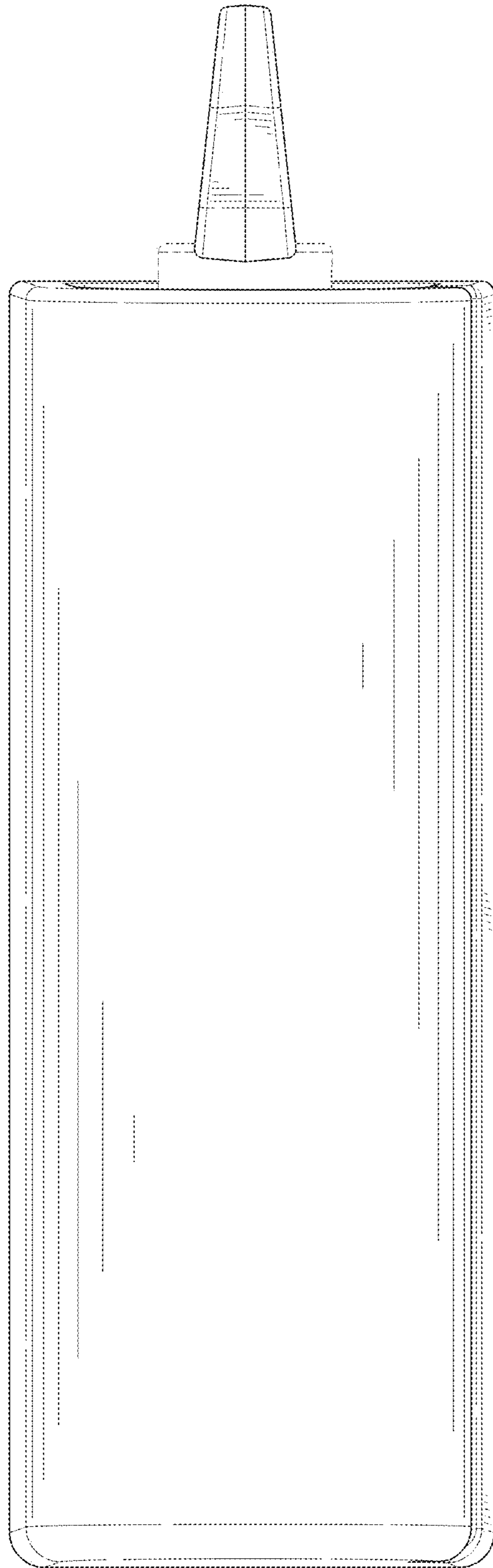


FIG. 7

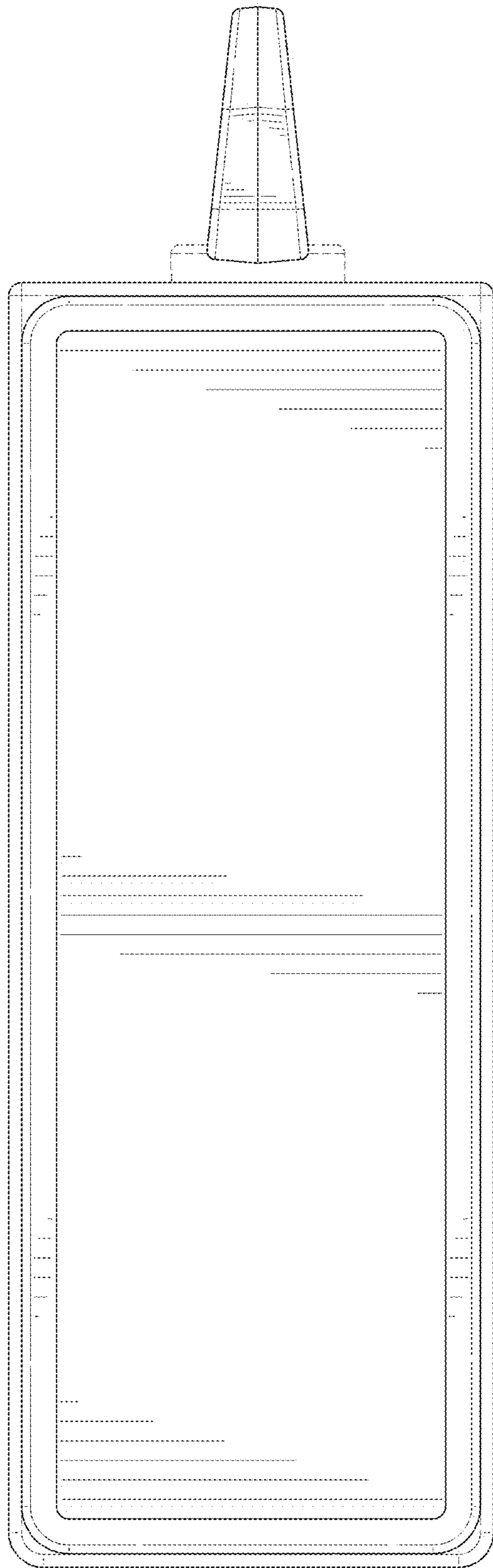


FIG. 8