



US00D981133S

(12) **United States Design Patent** (10) **Patent No.:** **US D981,133 S**  
**Feng** (45) **Date of Patent:** **\*\* Mar. 21, 2023**

(54) **TOILET PAPER HOLDER**  
(71) Applicant: **Zhijun Feng**, Jiangmen (CN)  
(72) Inventor: **Zhijun Feng**, Jiangmen (CN)

(\*\*) Term: **15 Years**

(21) Appl. No.: **29/838,255**

(22) Filed: **May 11, 2022**

(51) **LOC (14) Cl.** ..... **23-08**

(52) **U.S. Cl.**  
USPC ..... **D6/523**; D6/521

(58) **Field of Classification Search**  
USPC ..... D6/540, 566, 567, 518-524, 545, 512,  
D6/515; D3/10; D14/224  
CPC ..... A47K 10/42; A47K 10/38  
See application file for complete search history.

(56) **References Cited**

**U.S. PATENT DOCUMENTS**

D253,265	S	*	10/1979	Miller	.....	D6/521
5,125,609	A	*	6/1992	Demeo	.....	B44C 7/06 248/309.2
D341,080	S	*	11/1993	Heinrich	.....	D6/521
D360,887	S	*	8/1995	Karnaze	.....	D6/675.1
D414,053	S	*	9/1999	Ordelman	.....	D3/10
D459,623	S	*	7/2002	Tramontina	.....	D6/708.16
D463,183	S	*	9/2002	Tramontina	.....	D7/631
D581,698	S	*	12/2008	Fix	.....	D14/224
D596,433	S	*	7/2009	Brewster	.....	D6/521
D691,389	S	*	10/2013	Snider	.....	D6/519
D723,011	S	*	2/2015	Symons	.....	D14/224
D761,039	S	*	7/2016	Locker	.....	D6/521
D867,011	S	*	11/2019	Snell	.....	D6/520
D916,493	S	*	4/2021	Tu	.....	
D918,616	S	*	5/2021	Zheng	.....	D6/523

D951,920	S	*	5/2022	Turksu	.....	D14/224
2003/0213761	A1	*	11/2003	Sparkowski	.....	A47F 13/085 211/85.3
2016/0095478	A1	*	4/2016	Toma	.....	A47K 10/42 242/594

**OTHER PUBLICATIONS**

Miyili Freestanding Toilet Paper Holder, available in Amazon.com, date first available Apr. 17, 2020 [online], Retrieved on Aug. 11, 2022 from URL: <https://www.amazon.com/KLXHOME-Freestanding-Dispenser-Organizer-Bathroom/dp/B08794SNZD> (Year: 2020).\*  
KES Toilet Paper Holder, available in Amazon.ca, date first available Jun. 7, 2020 [online], Retrieved on Aug. 11, 2022 from URL: <https://www.amazon.ca/KES-Standing-Bathroom-Stainless-BPH286S1B-2/dp/B082SKQ8KH/> (Year: 2020).\*

\* cited by examiner

*Primary Examiner* — Vy N Koenig  
*Assistant Examiner* — Michelle M Reeves

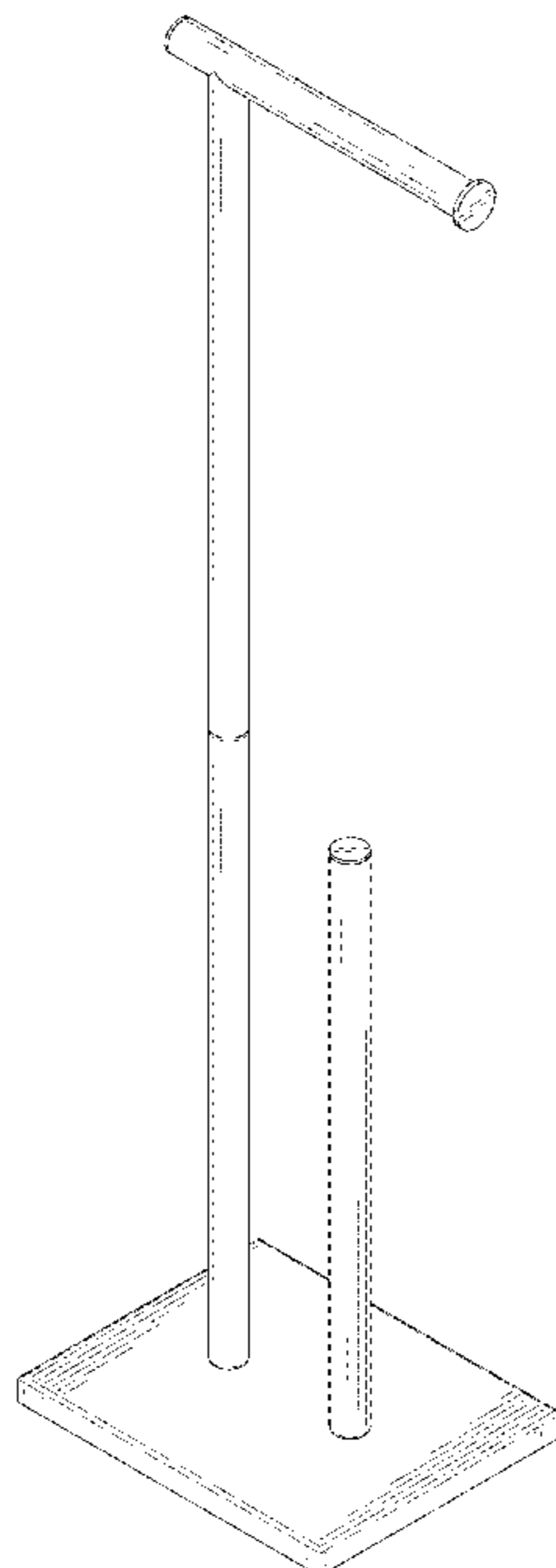
(57) **CLAIM**

The ornamental design for a toilet paper holder, as shown and described.

**DESCRIPTION**

FIG. 1 is a front and top perspective view of a toilet paper holder, showing my new design;  
FIG. 2 is a rear and bottom perspective view thereof;  
FIG. 3 is a front elevation view thereof;  
FIG. 4 is a rear elevation view thereof;  
FIG. 5 is a left side elevation view thereof;  
FIG. 6 is a right side elevation view thereof;  
FIG. 7 is a top plan view thereof; and,  
FIG. 8 is a bottom plan view thereof.  
The broken lines in the figures illustrate portions of the toilet paper holder that form no part of the claimed design.

**1 Claim, 8 Drawing Sheets**



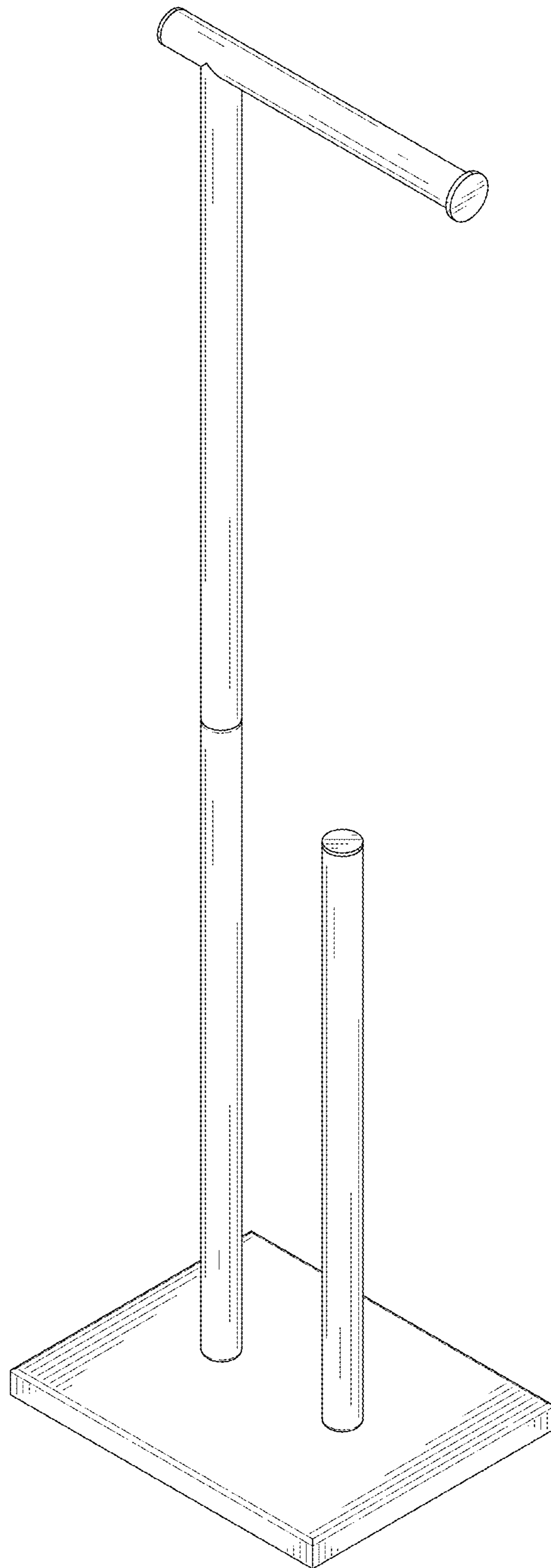


FIG. 1

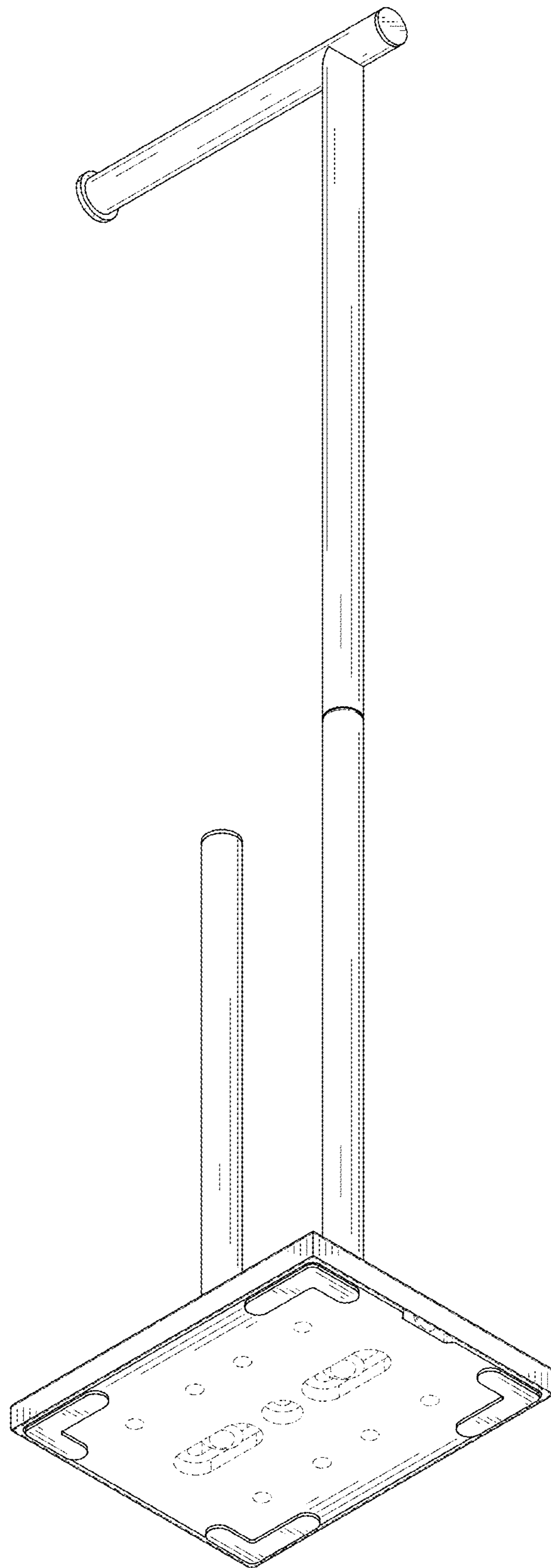


FIG. 2

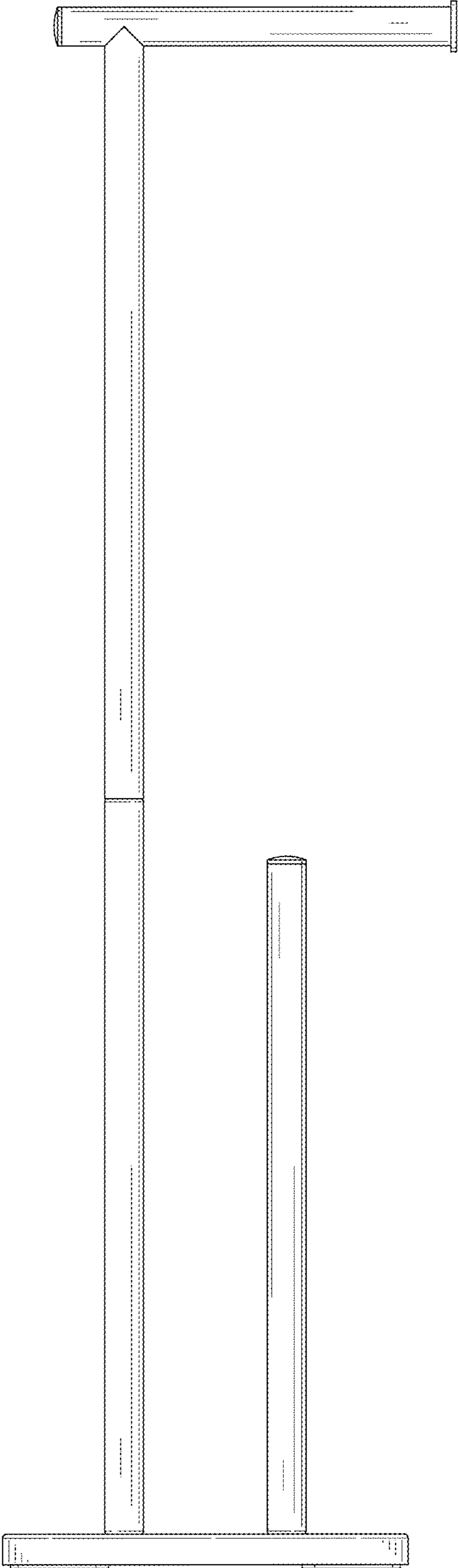


FIG. 3

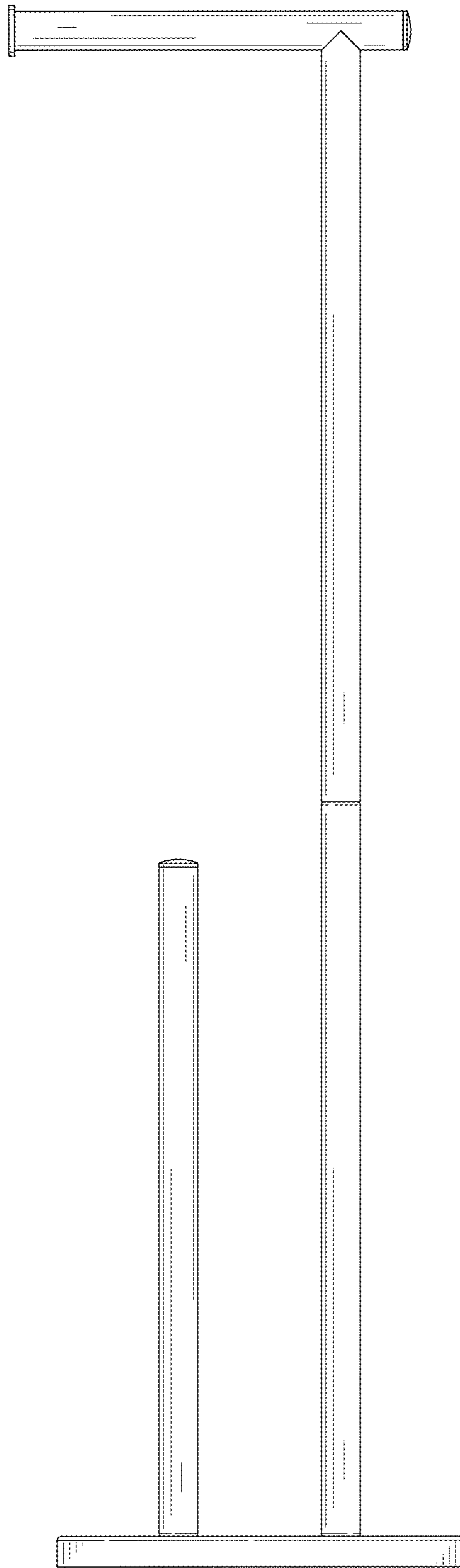


FIG. 4

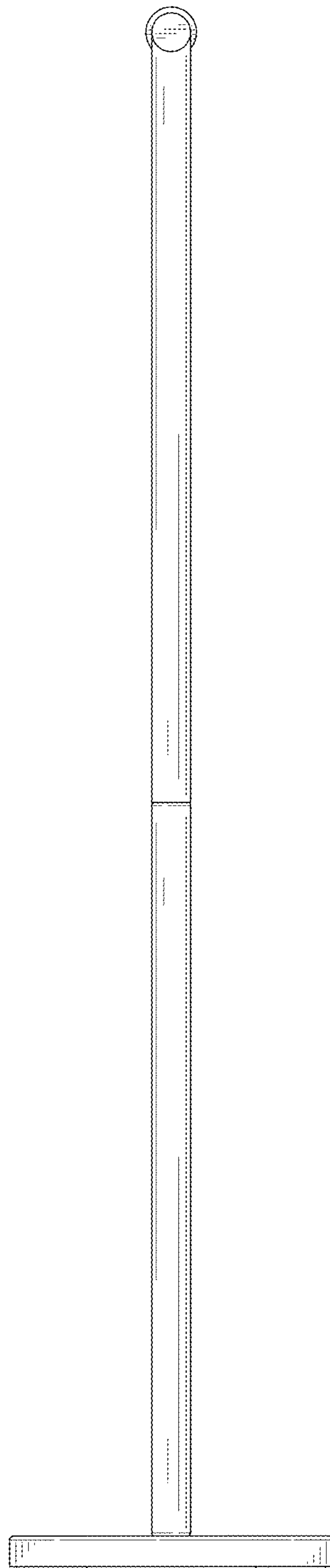


FIG. 5

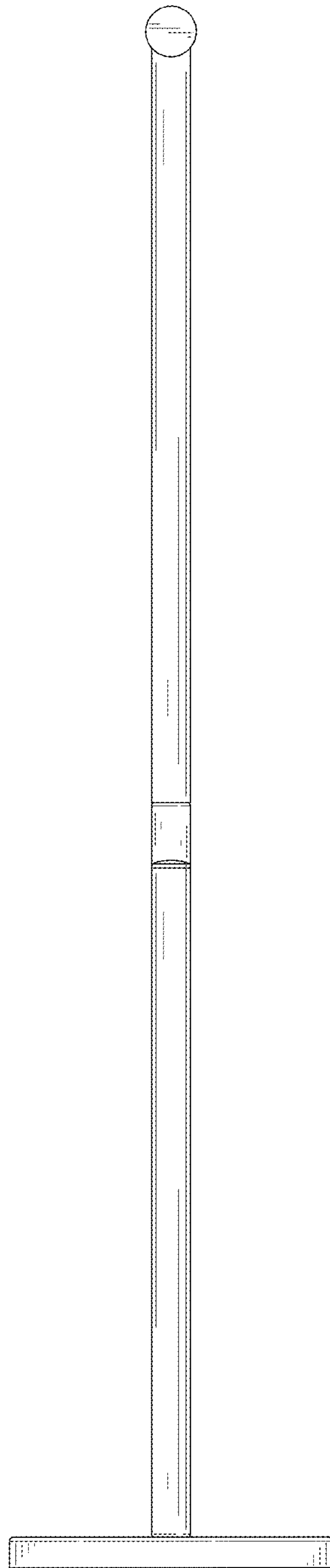


FIG. 6

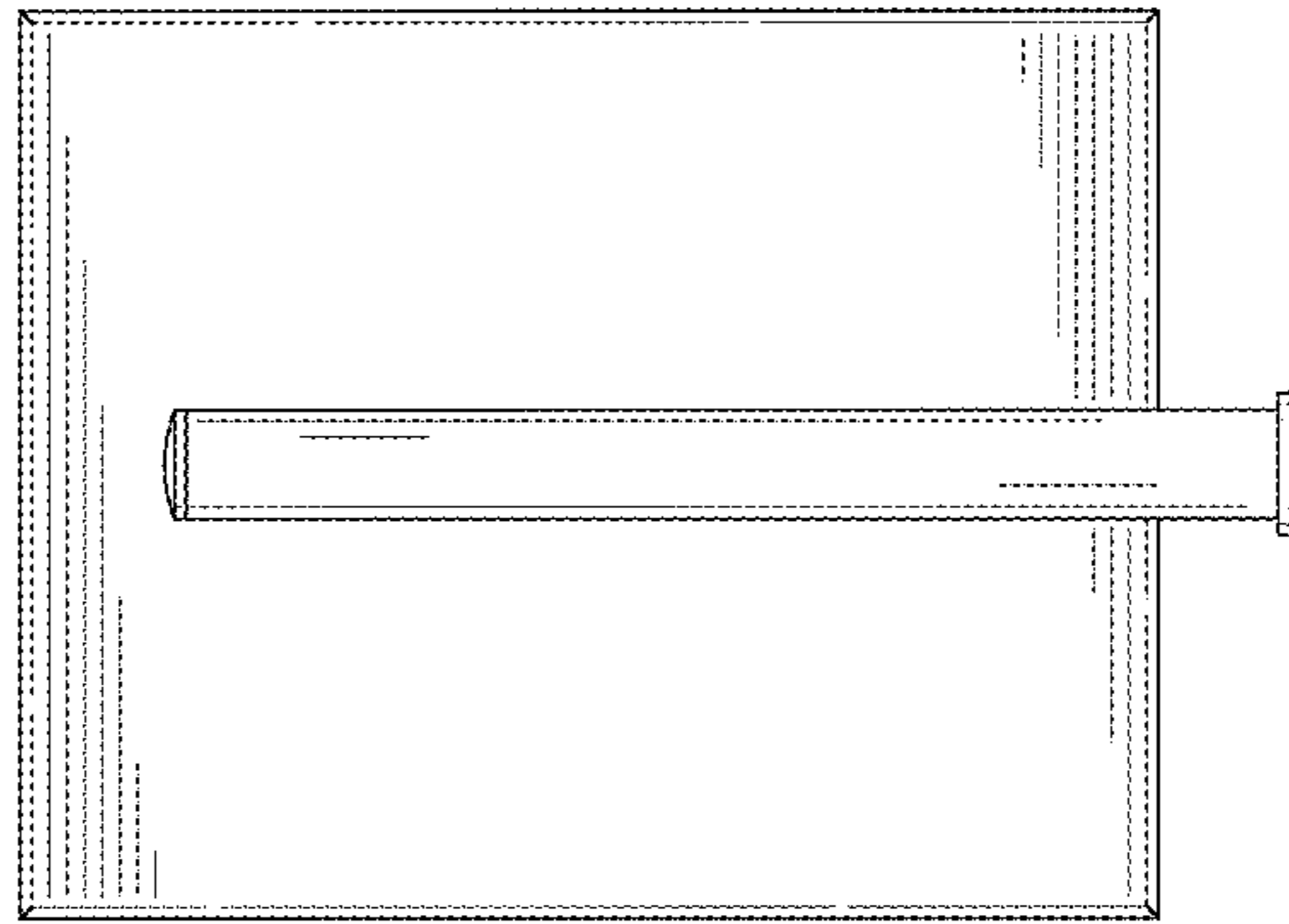


FIG. 7



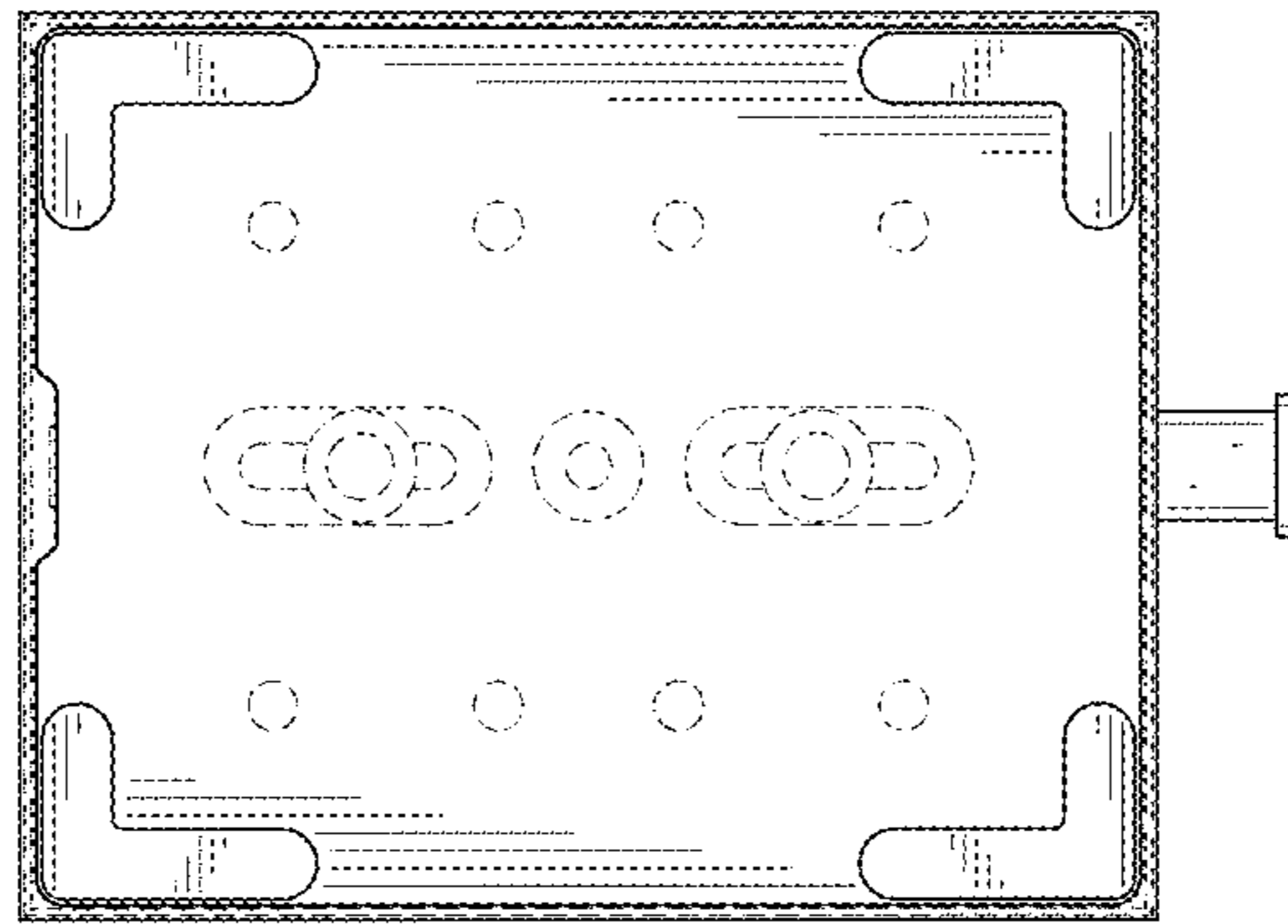


FIG. 8