



US00D981131S

(12) **United States Design Patent**
Huang

(10) **Patent No.:** **US D981,131 S**
(45) **Date of Patent:** **** Mar. 21, 2023**

(54) **MULTI-LAYER DETACHABLE FLOWER STAND**

D886,486 S * 6/2020 Ripoll D6/403
D965,466 S * 10/2022 Tan D11/143
D968,119 S * 11/2022 Wang D6/403

(71) Applicant: **Zhijun Huang**, Xiamen (CN)

FOREIGN PATENT DOCUMENTS

(72) Inventor: **Zhijun Huang**, Xiamen (CN)

CN 307541039 * 9/2022

(73) Assignee: **Zhijun Huang**, Xiamen (CN)

OTHER PUBLICATIONS

(**) Term: **15 Years**

4/5/6—Tiers Iron Metal Plant Flower Stand, Walmart Product Page. Date of Oldest Review: Jan. 6, 2020, Date Accessed: Nov. 16, 2022. Available on the Internet URL: <https://www.walmart.com/ip/4-5-6-Tiers-Iron-Metal-Plant-Flower-Stand-Flower-Pot-Shelf-Rack-Display-Rack-Garden-Living-Room-Decor/840940593> (Year: 2020).*

(21) Appl. No.: **29/852,227**

(22) Filed: **Sep. 5, 2022**

(51) **LOC (14) Cl.** **06-04**

(52) **U.S. Cl.**
USPC **D6/403**

(58) **Field of Classification Search**
USPC D6/403–405, 553, 556, 558, 677, 677.3;
D7/704; D11/143, 144; D20/19
CPC . A01G 9/02; A01G 9/023; A47G 7/00; A47G
7/02; A47G 7/04; A47G 7/047
See application file for complete search history.

* cited by examiner

Primary Examiner — S. Bryan Reinholdt, Jr.

Assistant Examiner — Julia S Folkart

(74) *Attorney, Agent, or Firm* — Nitin Kaushik

(56) **References Cited**

U.S. PATENT DOCUMENTS

760,879 A * 5/1904 Kunzman A01G 9/12
D6/403
897,006 A * 8/1908 Miller A01G 9/12
47/47
D250,372 S * 11/1978 Szabo D6/681.3
D250,866 S * 1/1979 Mulligan D6/404
5,598,662 A * 2/1997 Droste B05B 17/08
47/62 R
D439,072 S 3/2001 Hendrikson
D451,697 S * 12/2001 Morley D6/403
D547,621 S * 7/2007 Ku D7/704
D574,166 S * 8/2008 Kaisler D6/681.3
D694,854 S * 12/2013 Gentry D23/214
D729,456 S * 5/2015 Craven D7/704

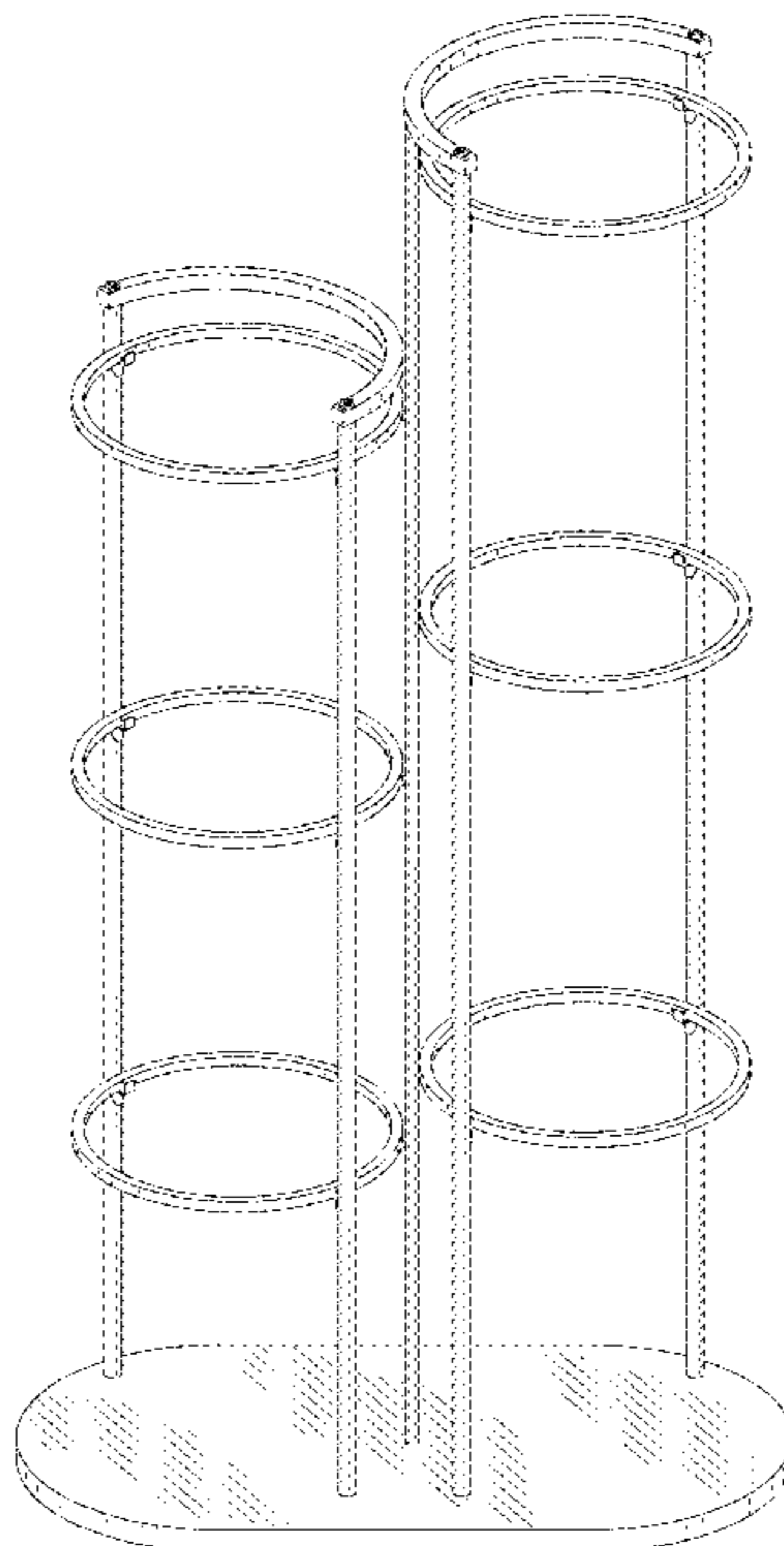
(57) **CLAIM**

The ornamental design for a multi-layer detachable flower stand, as shown and described.

DESCRIPTION

FIG. 1 is a top perspective view of a multi-layer detachable flower stand, showing my new design; FIG. 2 is a bottom perspective view thereof; FIG. 3 is a front view thereof; FIG. 4 is a rear view thereof; FIG. 5 is a right side view thereof; FIG. 6 is a left side view thereof; FIG. 7 is a top view thereof; FIG. 8 is a bottom view thereof; and, FIG. 9 is an exploded view thereof.

1 Claim, 9 Drawing Sheets



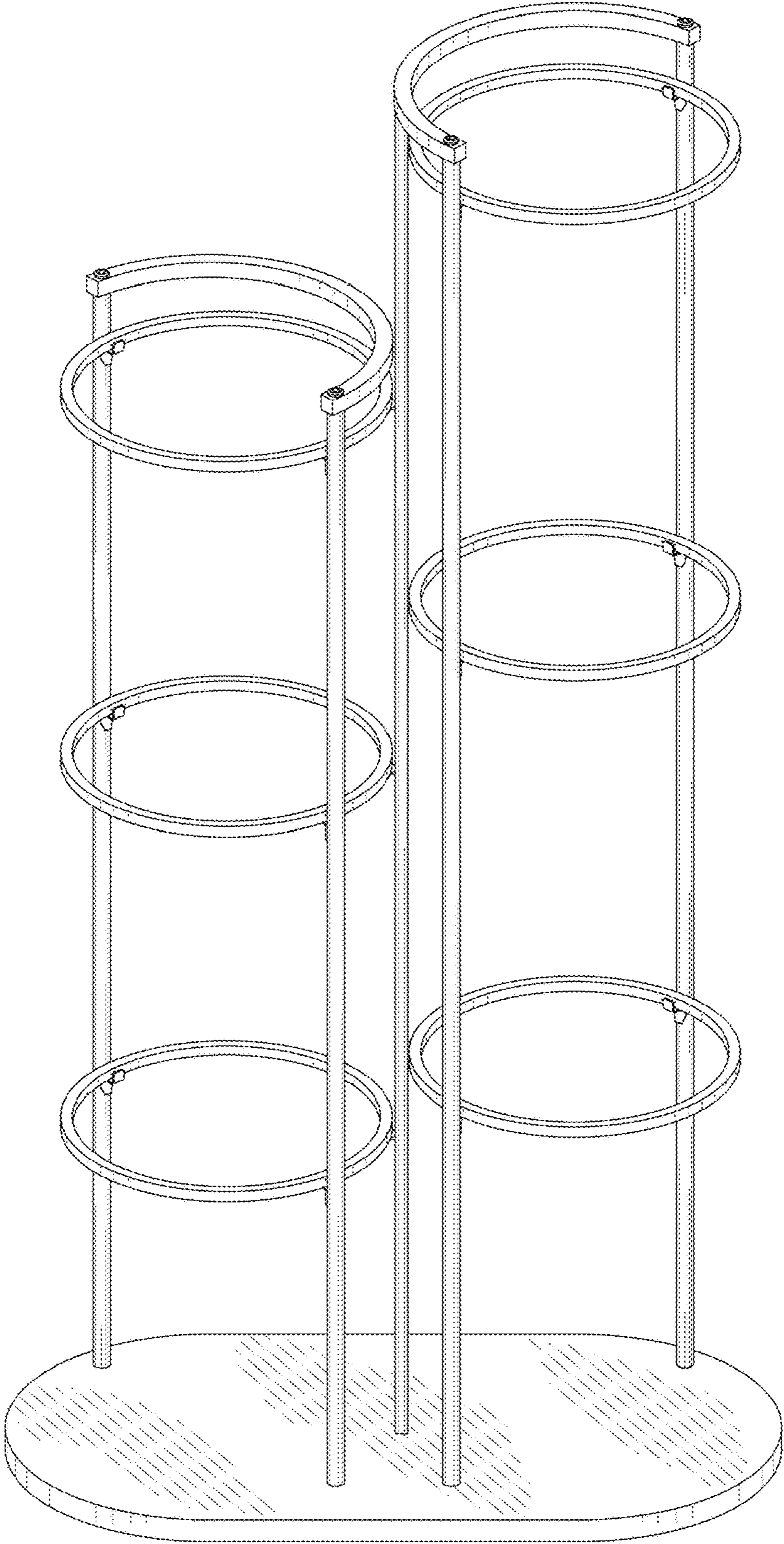


FIG. 1

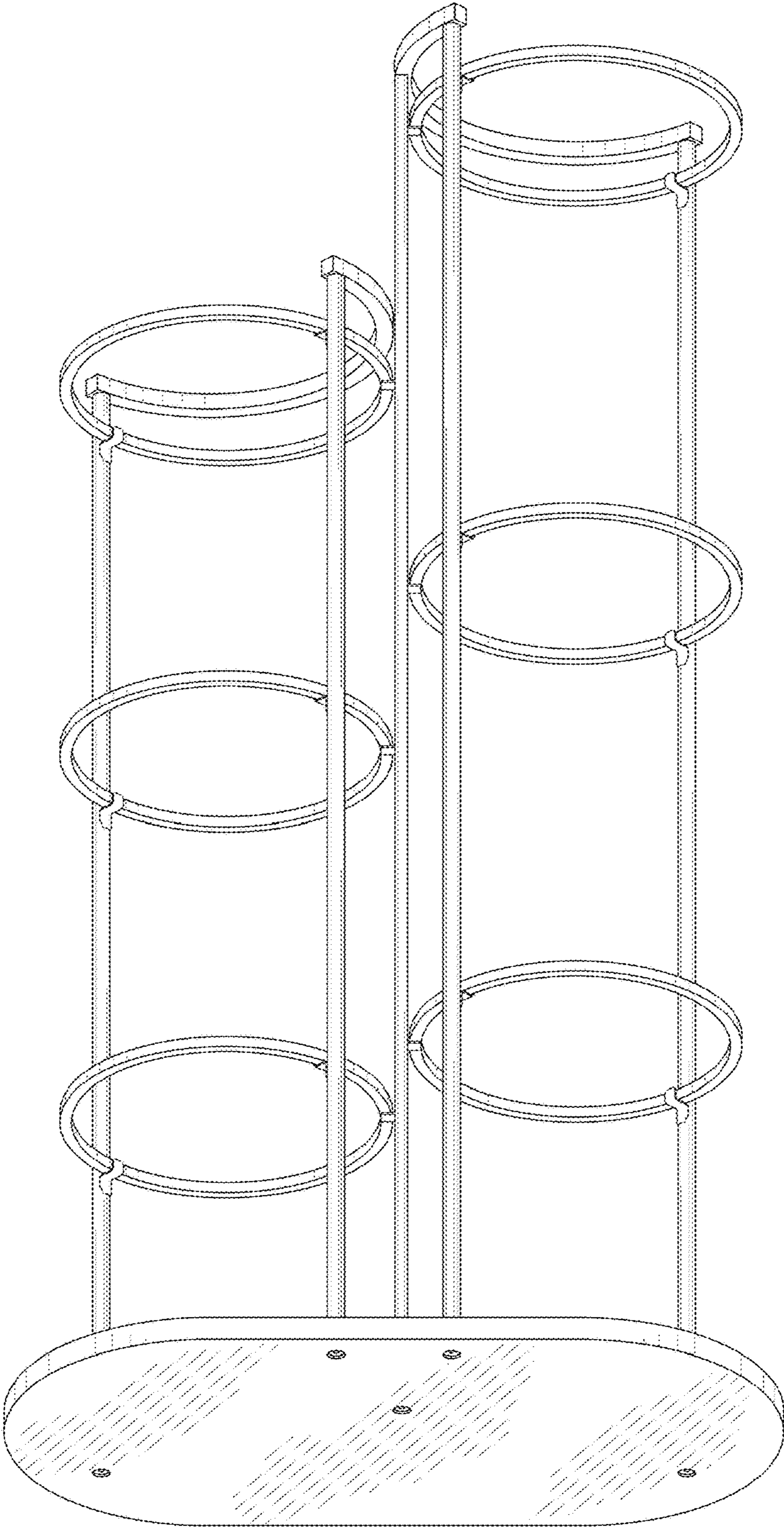


FIG. 2

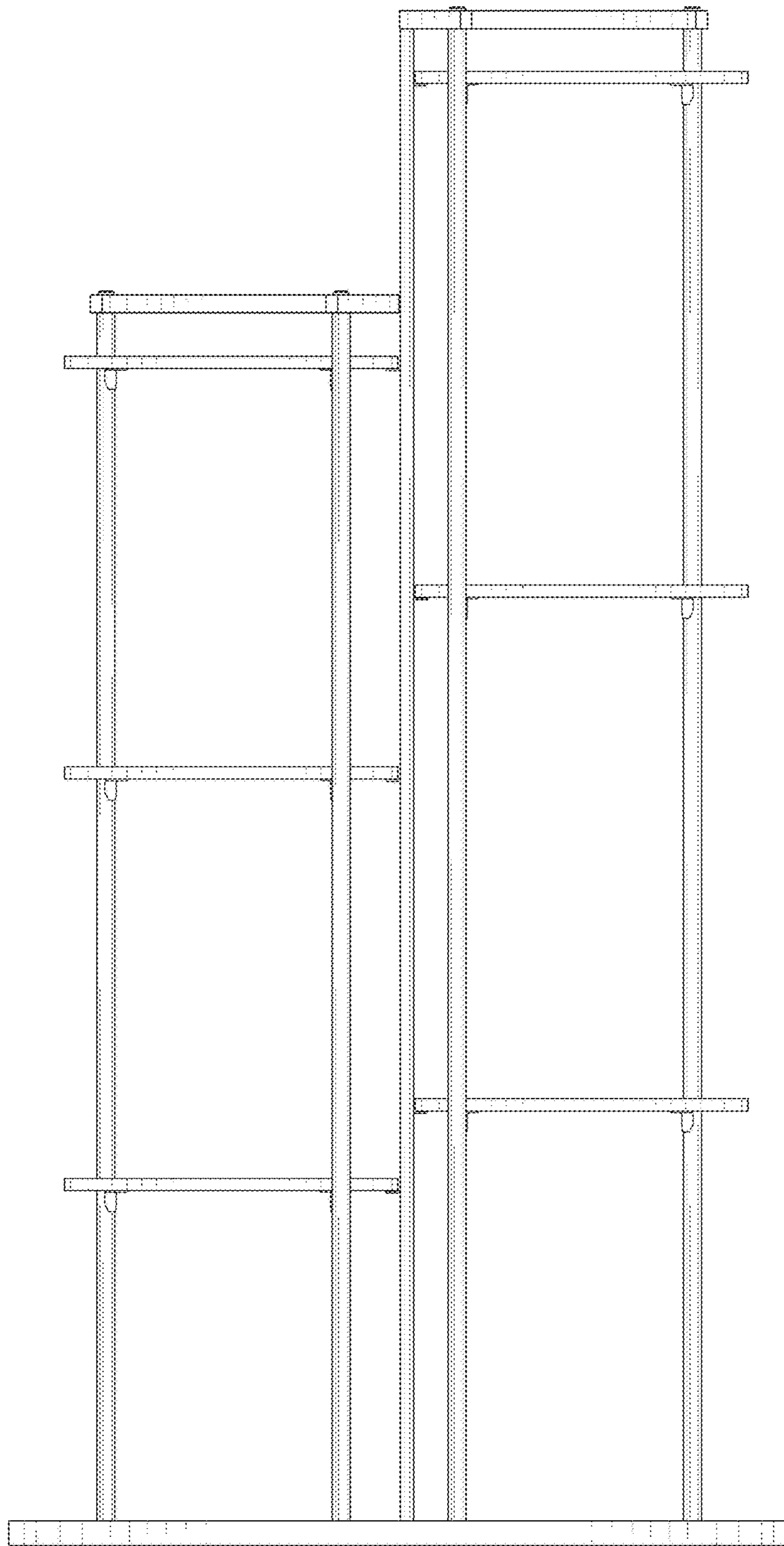


FIG. 3

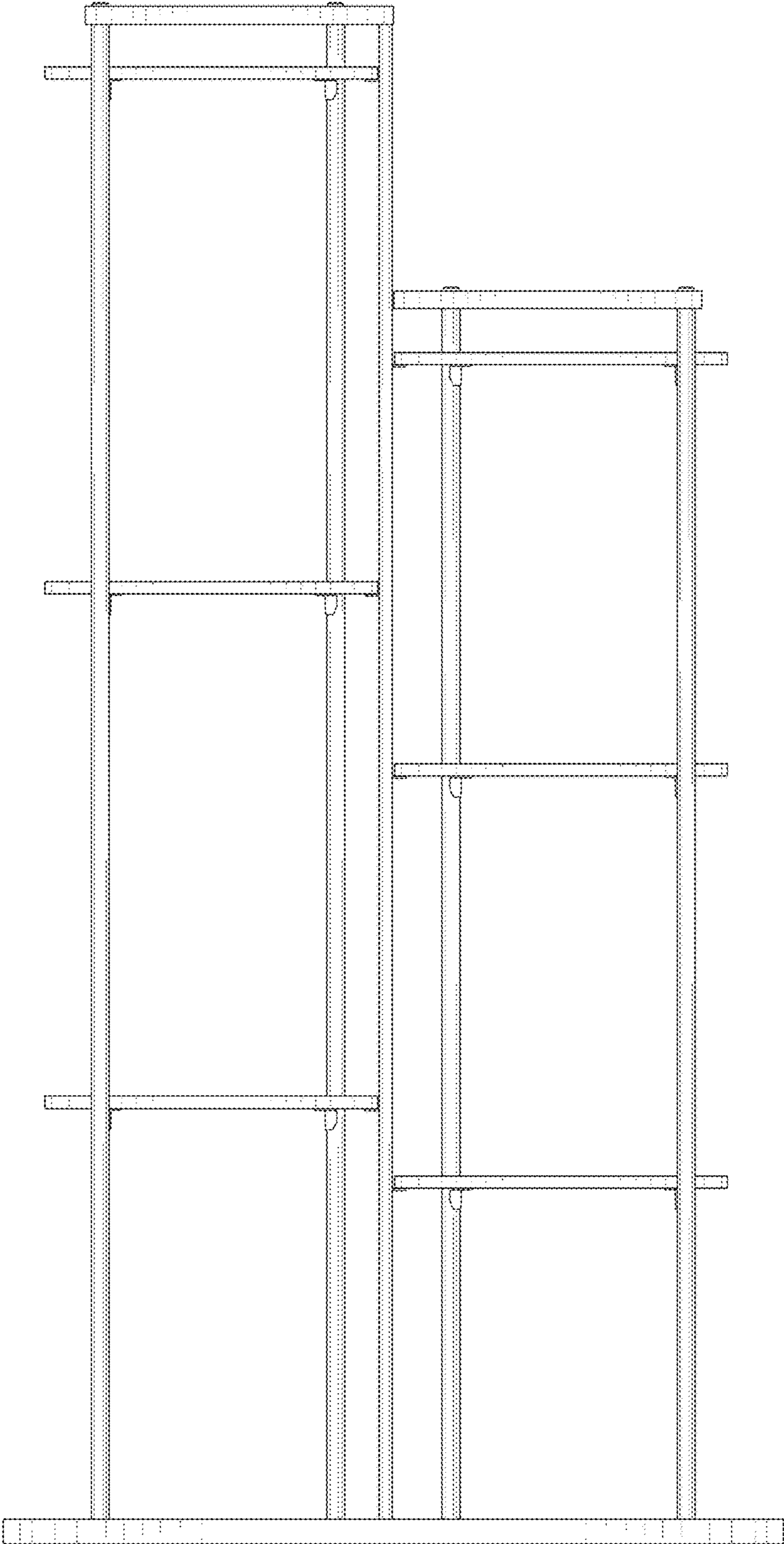


FIG. 4

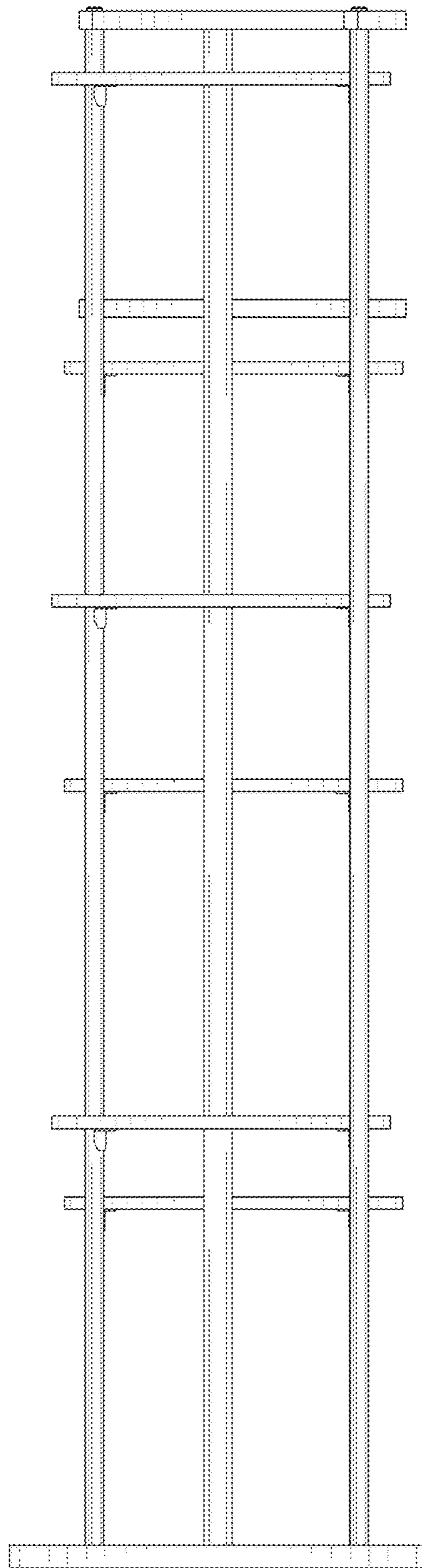


FIG. 5

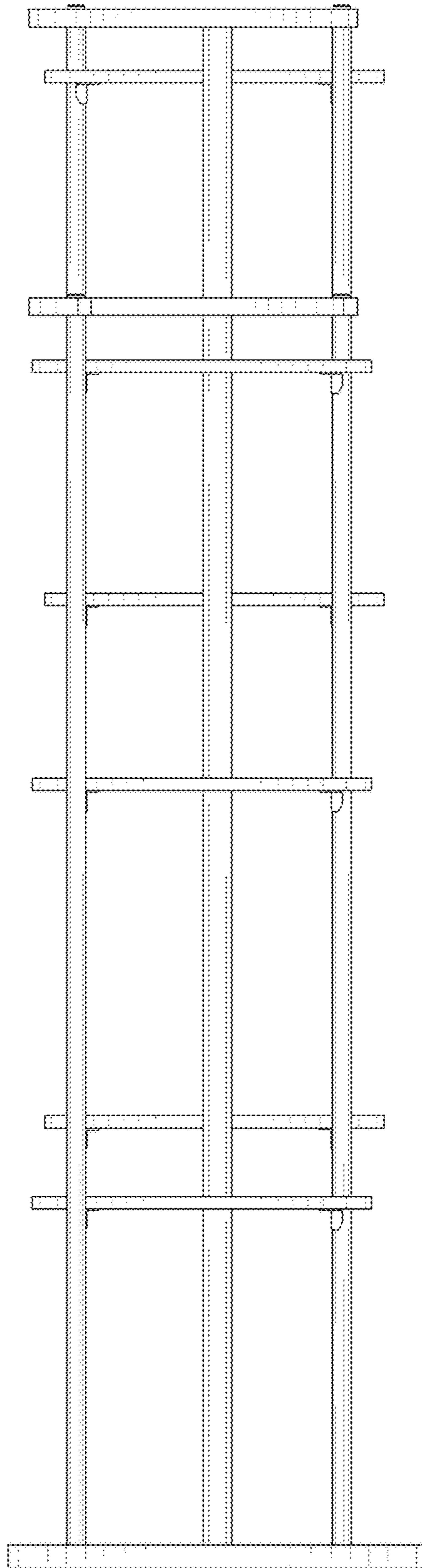


FIG. 6

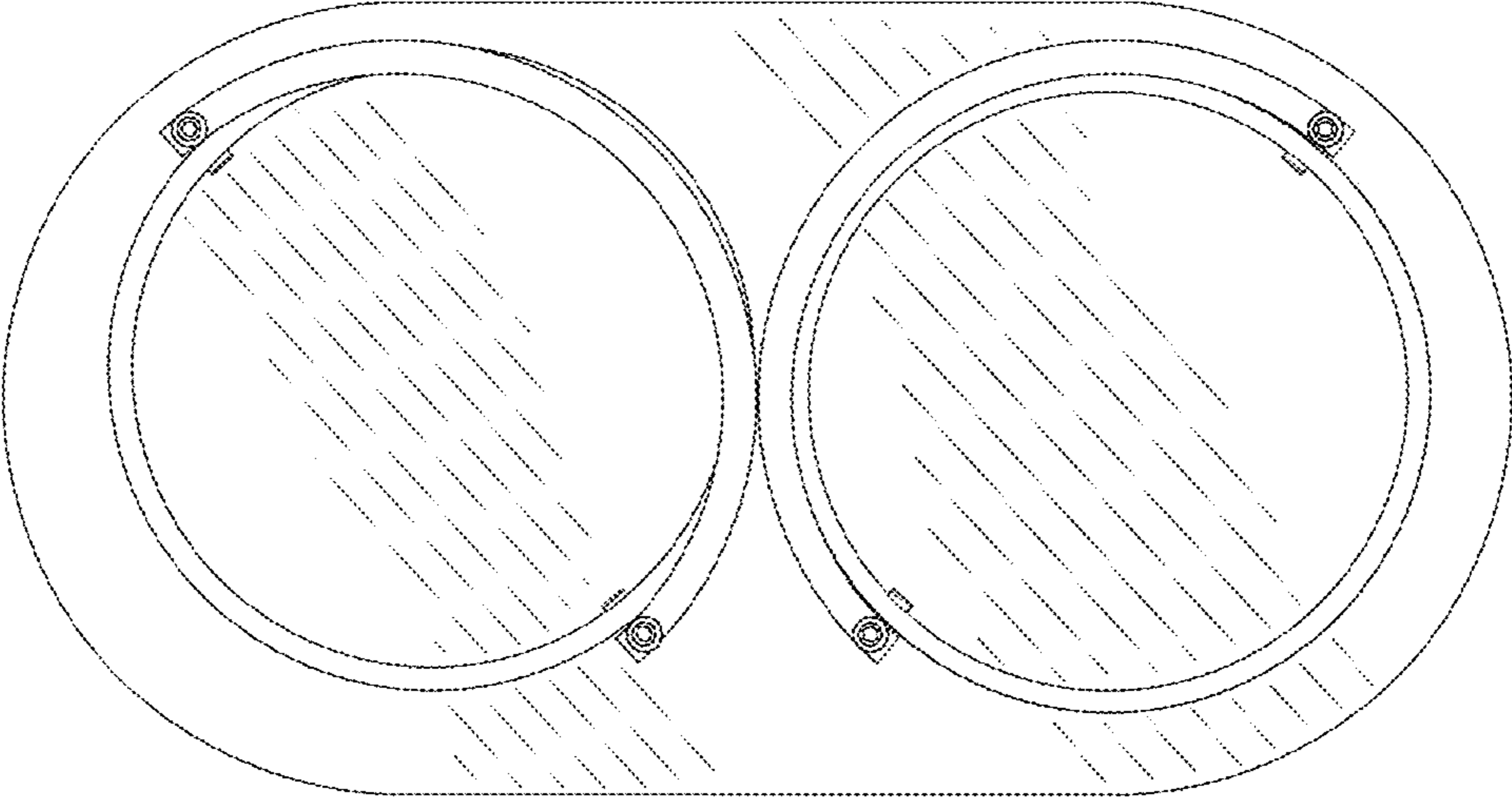


FIG. 7

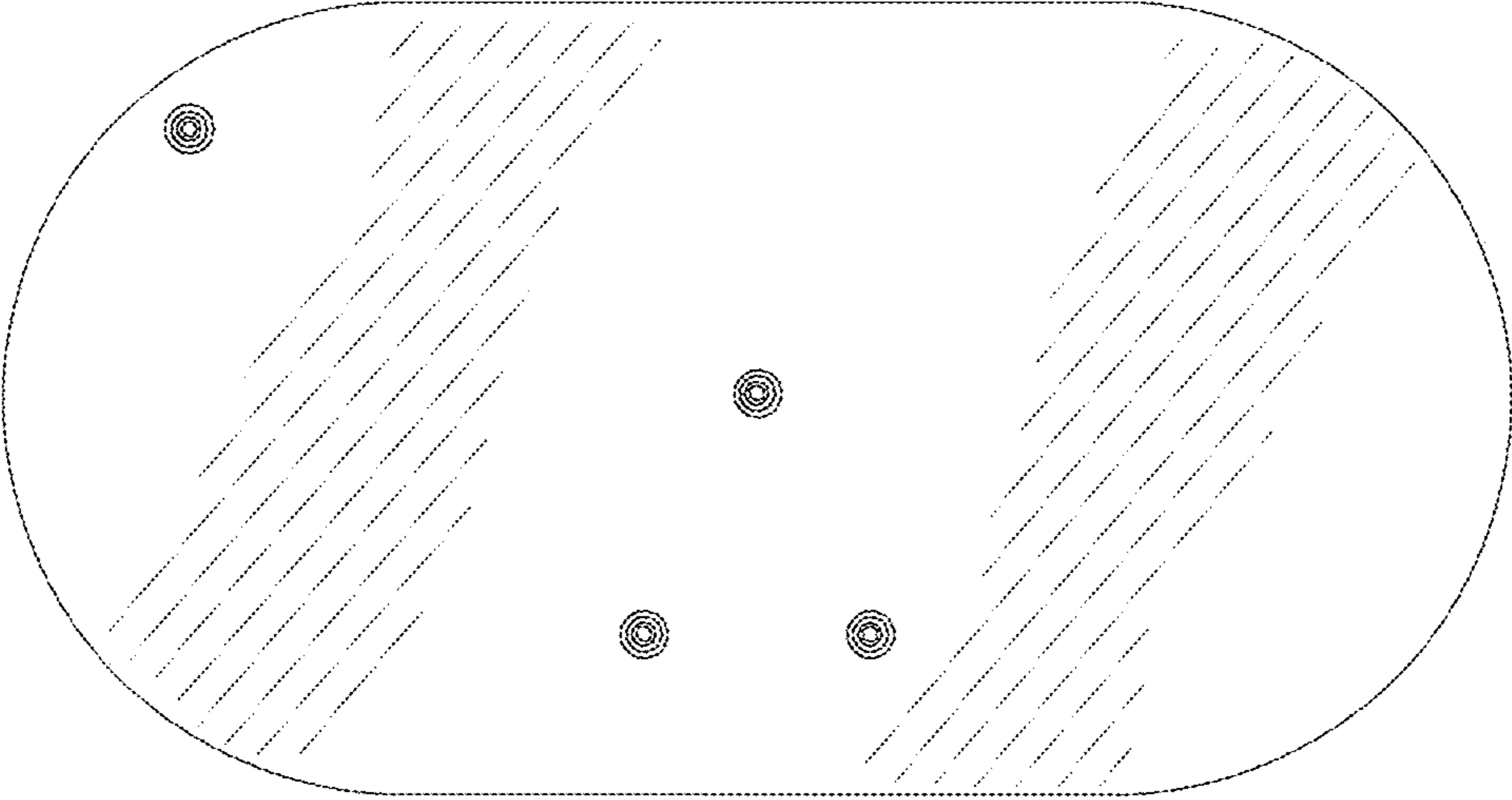


FIG. 8

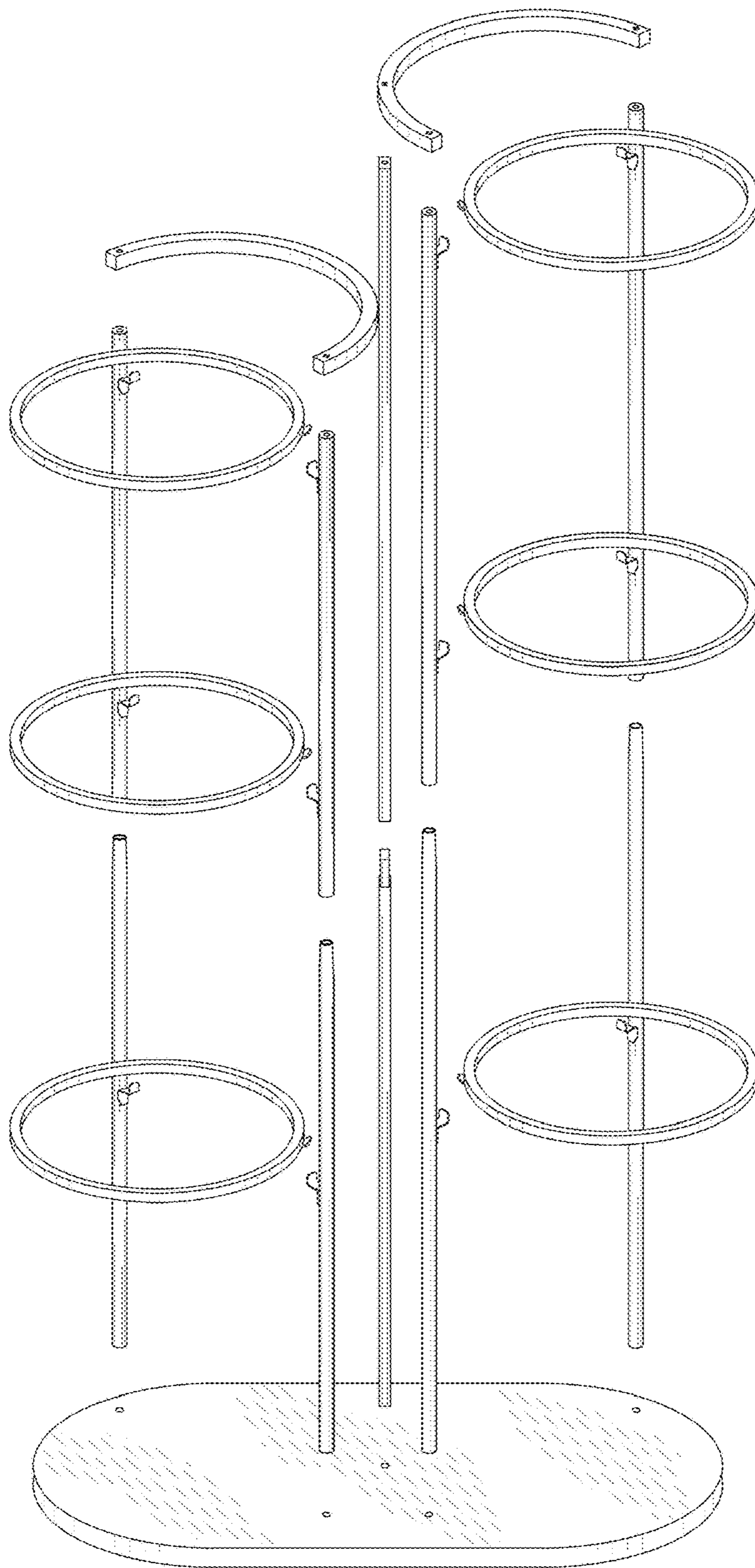


FIG. 9