



US00D981130S

(12) **United States Design Patent**
Huang

(10) **Patent No.:** **US D981,130 S**
(45) **Date of Patent:** **** Mar. 21, 2023**

(54) **METAL BED FRAME**

(71) Applicant: **Guoyu Huang**, Putian (CN)

(72) Inventor: **Guoyu Huang**, Putian (CN)

(**) Term: **15 Years**

(21) Appl. No.: **29/842,329**

(22) Filed: **Jun. 13, 2022**

(51) **LOC (14) Cl.** **06-02**

(52) **U.S. Cl.**
USPC **D6/395; D6/393**

(58) **Field of Classification Search**
USPC D6/382, 383, 392-395, 718, 718.11,
D6/718.13, 718.21, 719.4; D24/183;
D25/38.1, 43
CPC A47C 19/00; A47C 19/021; A47C 19/022;
A47C 19/04; A47C 19/205
See application file for complete search history.

(56) **References Cited**

U.S. PATENT DOCUMENTS

D25,996 S *	9/1896	McKaig	D6/718.25
D30,251 S *	2/1899	Adams	D6/718.25
D93,438 S *	10/1934	Geddes	D6/395
D93,440 S *	10/1934	Geddes	D6/393
D360,954 S *	8/1995	Von Parrish	D25/128
D403,527 S *	1/1999	Annas	D6/395
D404,501 S *	1/1999	Smith	D25/42
D664,373 S	7/2012	Pamudji		
D764,204 S	8/2016	Medley		
D789,702 S	6/2017	Everson		
D791,495 S	7/2017	Everson		
D798,077 S *	9/2017	Schmitt	D6/393
D848,176 S	5/2019	Christiansen		
D866,234 S	11/2019	Christiansen		
D885,078 S *	5/2020	Liang	D6/392
D906,000 S	12/2020	Hernandez		

(Continued)

FOREIGN PATENT DOCUMENTS

EM	009058753-0001	*	6/2022
GB	6213500	*	6/2022

OTHER PUBLICATIONS

17 Stories 39.76", Wayfair Product Page. Date Accessed: Nov. 5, 2022. Available on the Internet URL: <https://www.wayfair.com/furniture/pdp/17-stories-3976-bed-frame-w010159279.html?piid=489708179> (Year: 2022).*

Primary Examiner — S. Bryan Reinholdt, Jr.

Assistant Examiner — Julia S Folkart

(74) *Attorney, Agent, or Firm* — Rumit Ranjit Kanakia

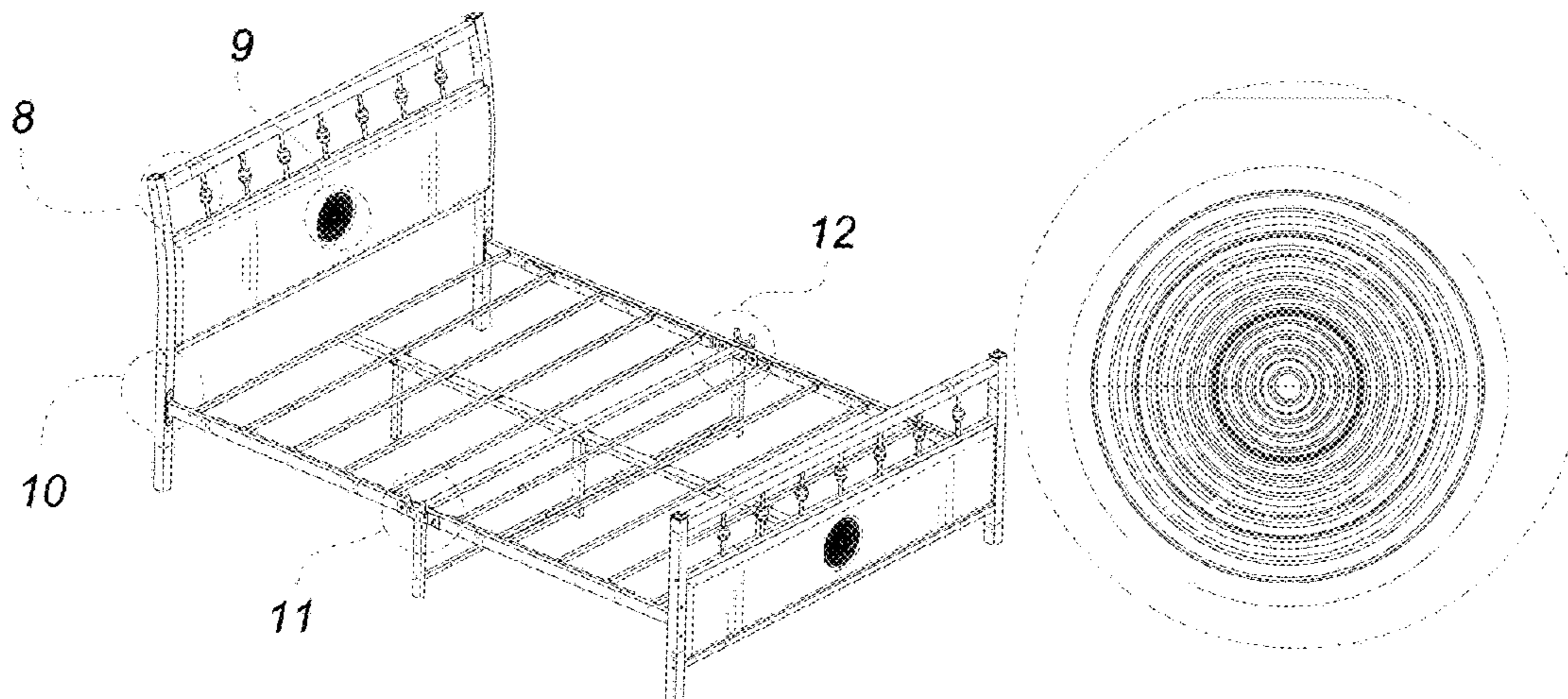
(57) **CLAIM**

The ornamental design for a metal bed frame, as shown and described.

DESCRIPTION

FIG. 1 is a perspective view of a metal bed frame showing my new design;
FIG. 2 is another perspective view thereof;
FIG. 3 is a front elevational view thereof, the rear elevational view being a mirror image of FIG. 3;
FIG. 4 is a left side elevational view thereof;
FIG. 5 is a right side elevational view thereof;
FIG. 6 is a top plan view thereof;
FIG. 7 is a bottom plan view thereof;
FIG. 8 is a partial enlarged view of FIG. 1;
FIG. 9 is a partial enlarged view of FIG. 1;
FIG. 10 is a partial enlarged view of FIG. 1;
FIG. 11 is a partial enlarged view of FIG. 1;
FIG. 12 is a partial enlarged view of FIG. 1;
FIG. 13 is a partial enlarged view of FIG. 2;
FIG. 14 is a partial enlarged view of FIG. 2;
FIG. 15 is a partial enlarged view of FIG. 2; and,
FIG. 16 is a partial enlarged view of FIG. 5.
The broken lines used in FIGS. 1, 2, 5, and 8-16 depict enlargement boundary lines that form no part of the claimed design.

1 Claim, 12 Drawing Sheets



(56)

References Cited

U.S. PATENT DOCUMENTS

D911,059	S	2/2021	Fang	
D917,193	S	* 4/2021	Shen D6/382
11,006,763	B1	* 5/2021	Oh A47C 19/021
D933,994	S	10/2021	Li	
D944,553	S	3/2022	Lei	
D968,118	S	* 11/2022	Huang D6/395
2020/0375367	A1	* 12/2020	Qiu A47C 19/005

* cited by examiner

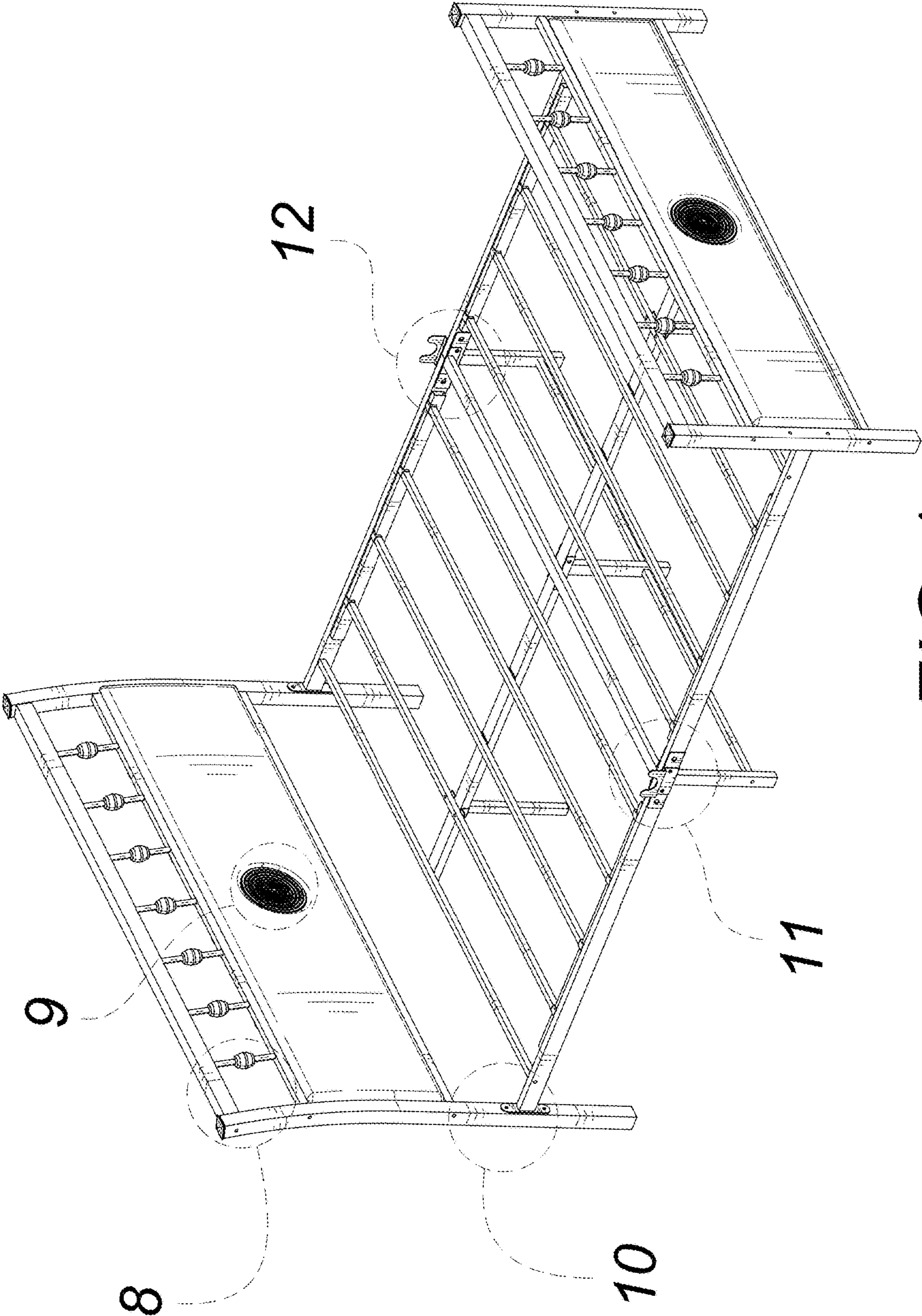


FIG. 1

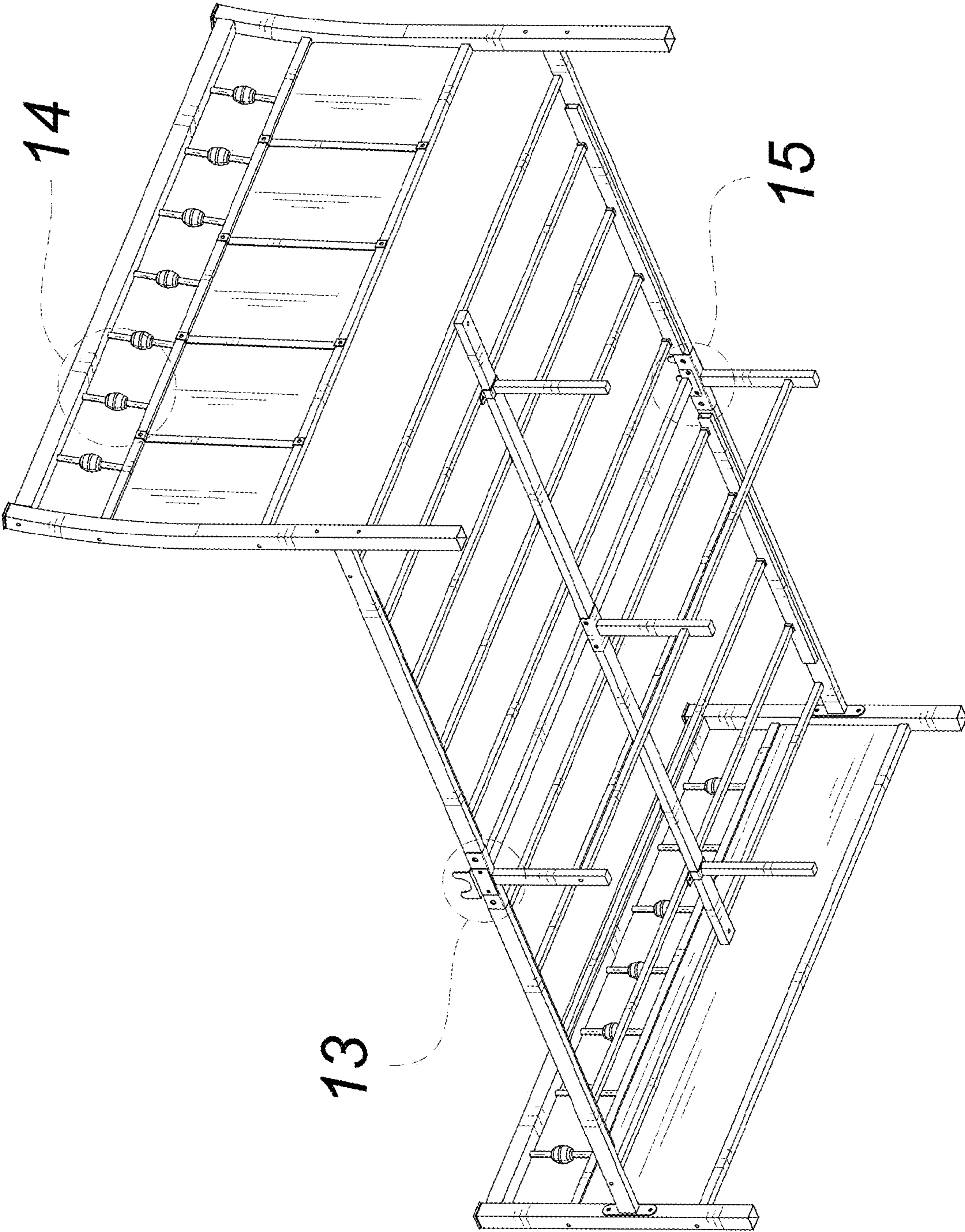


FIG. 2

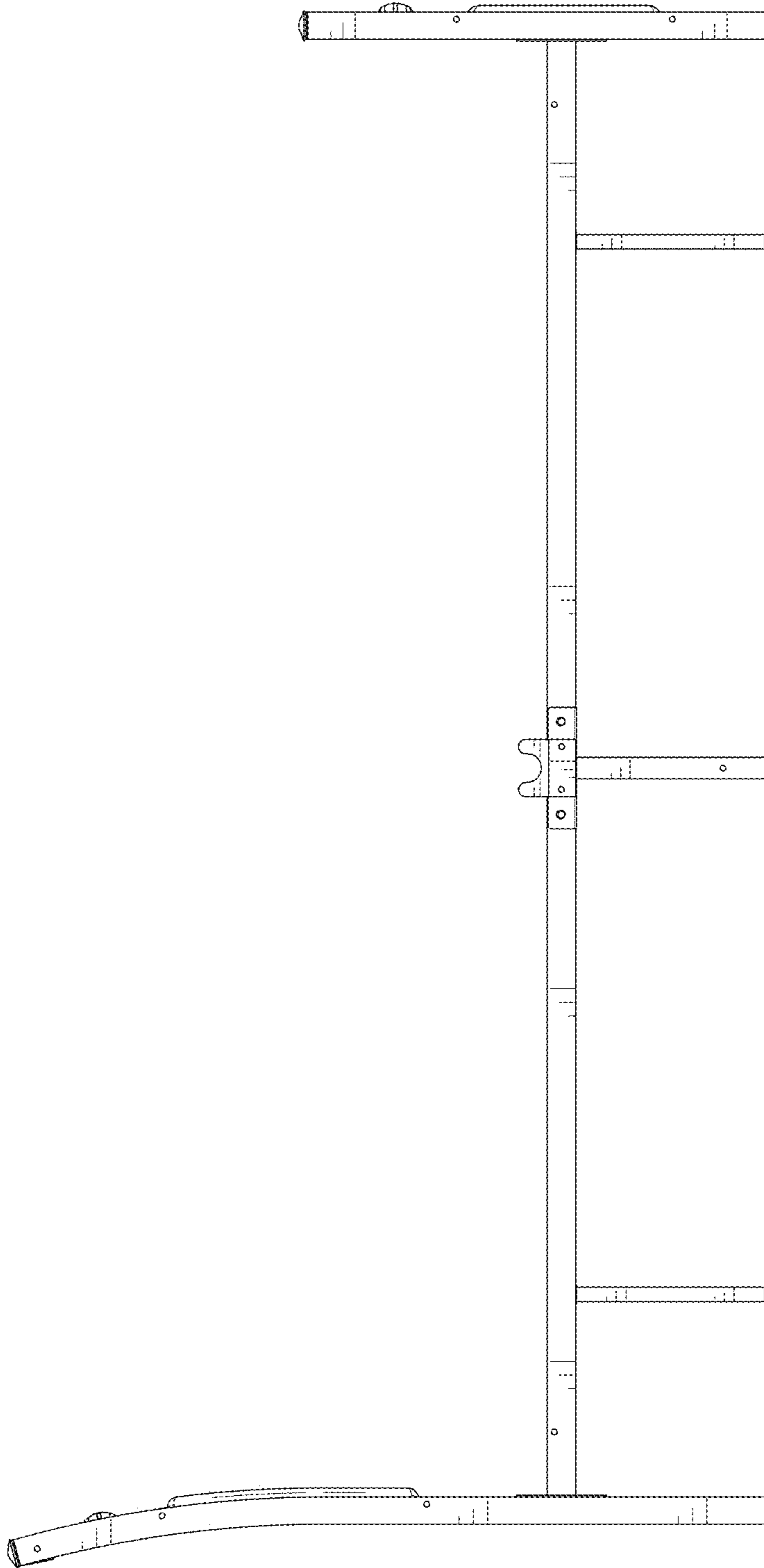


FIG. 3

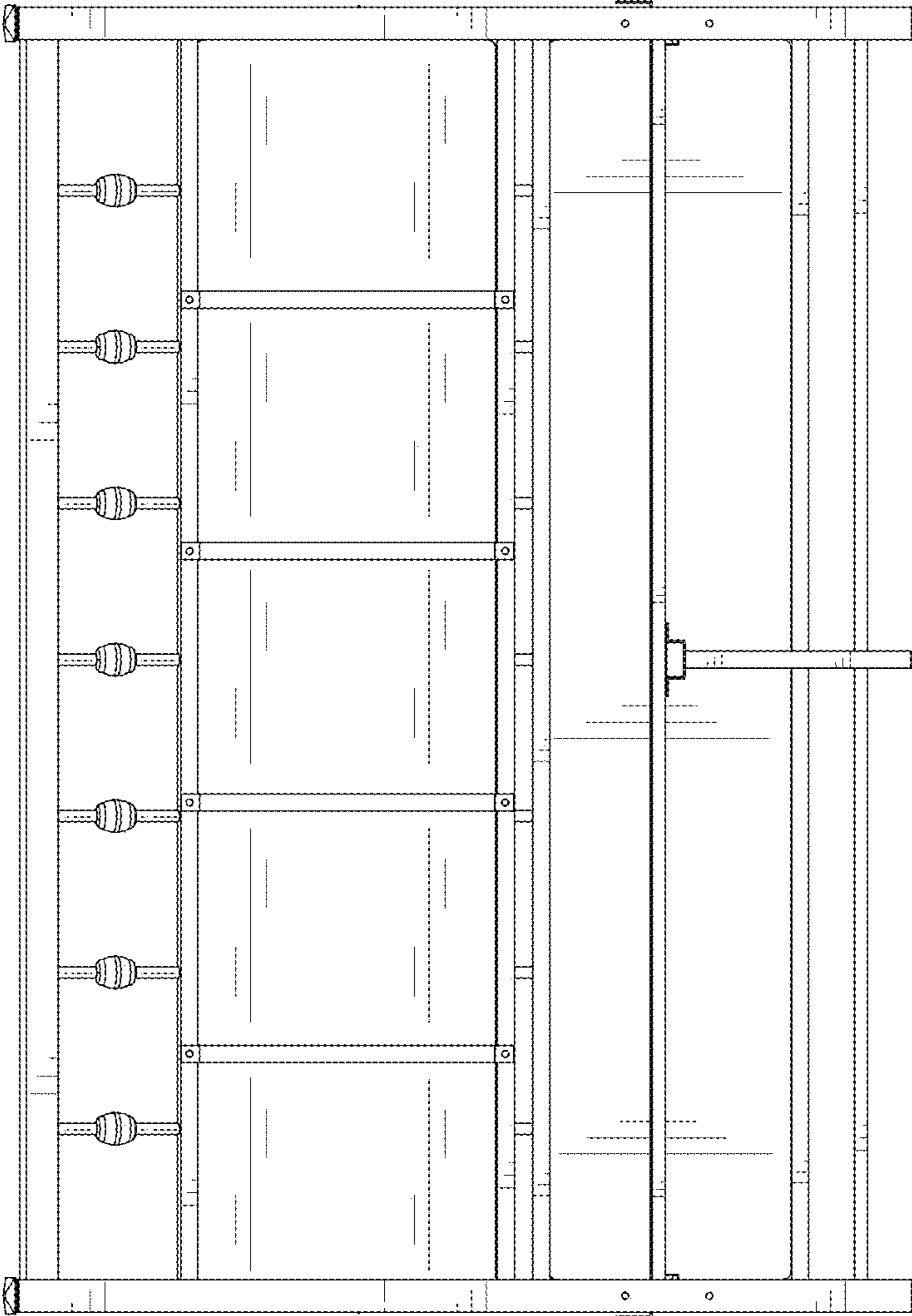


FIG. 4

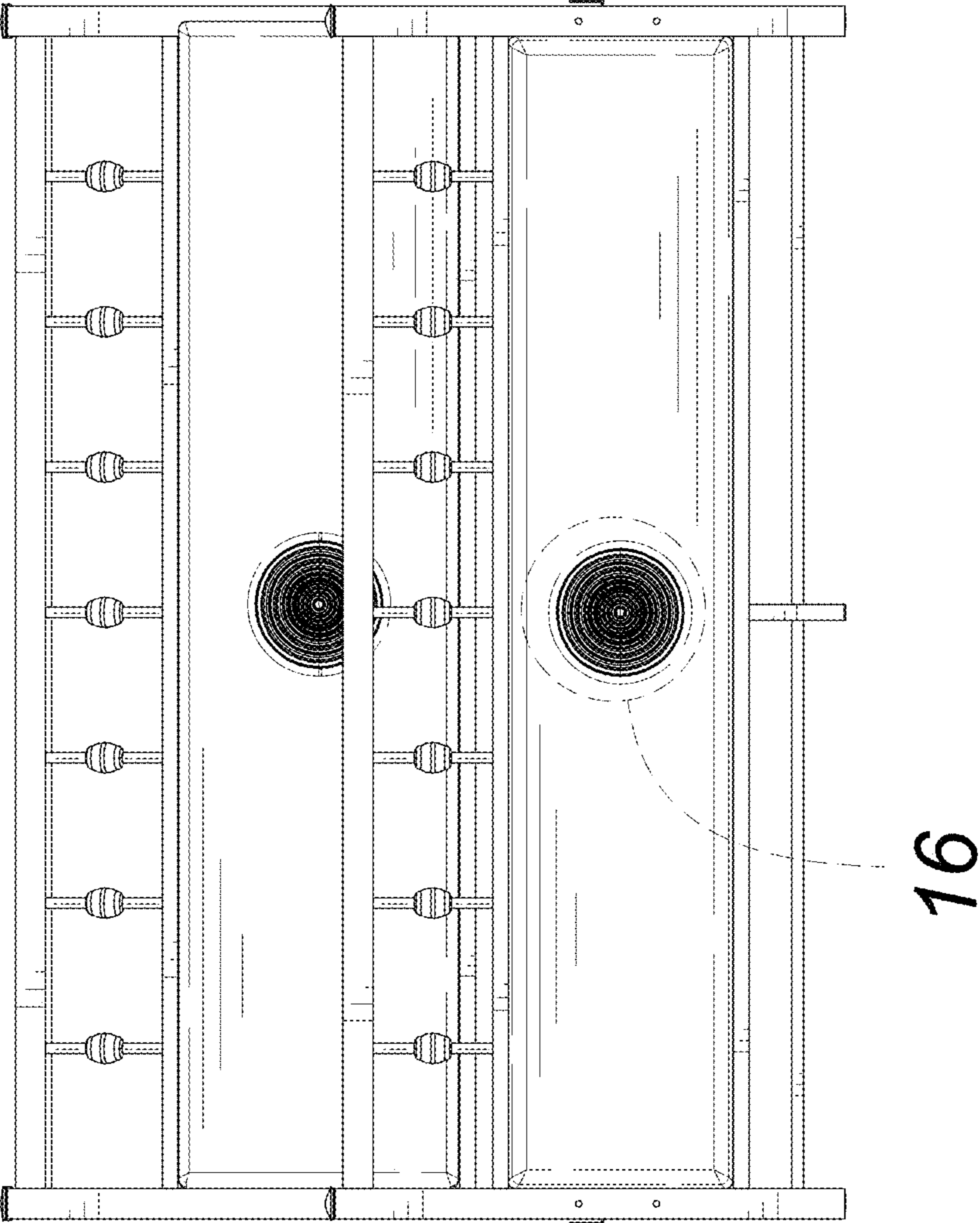


FIG. 5

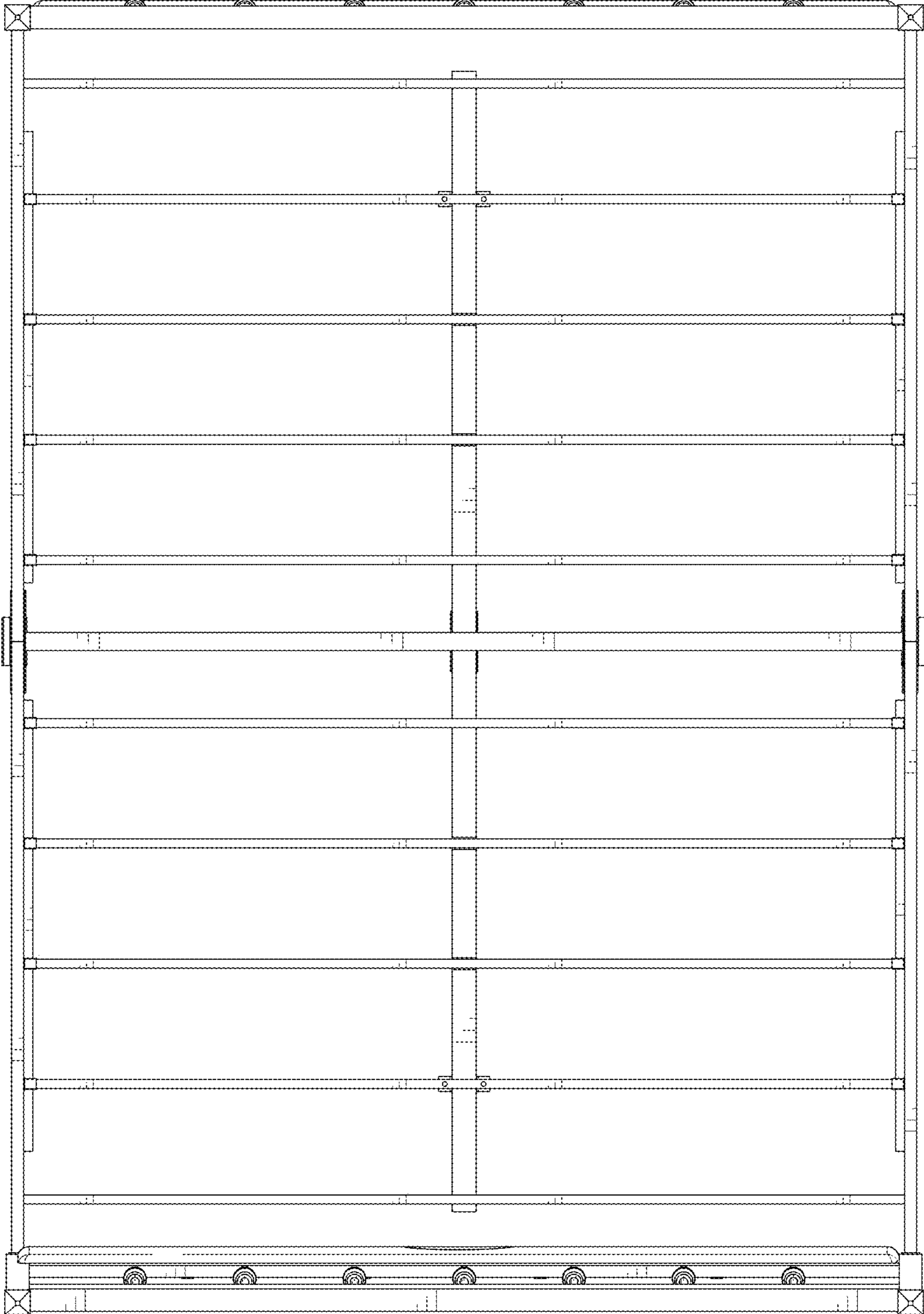


FIG. 6

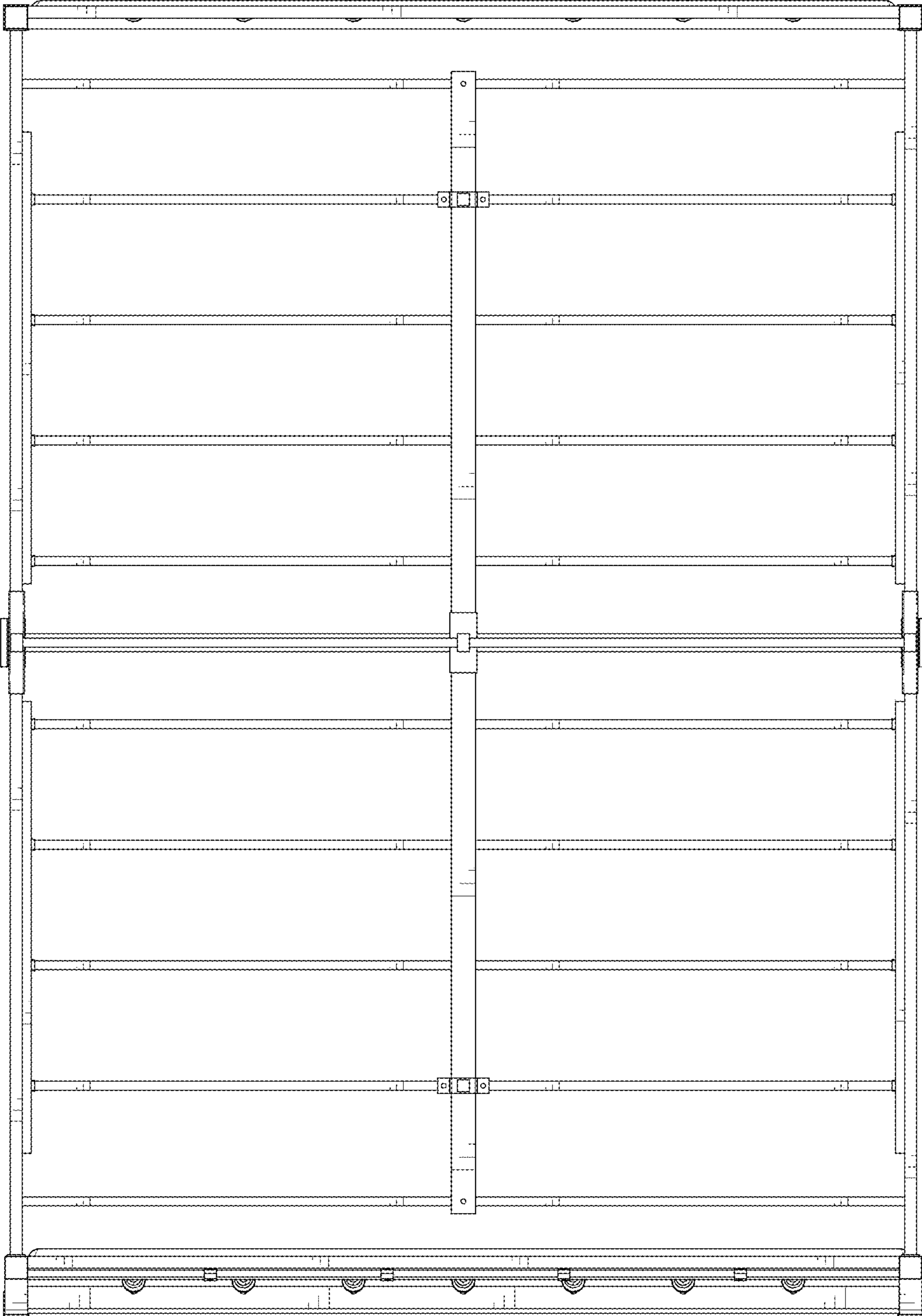


FIG. 7

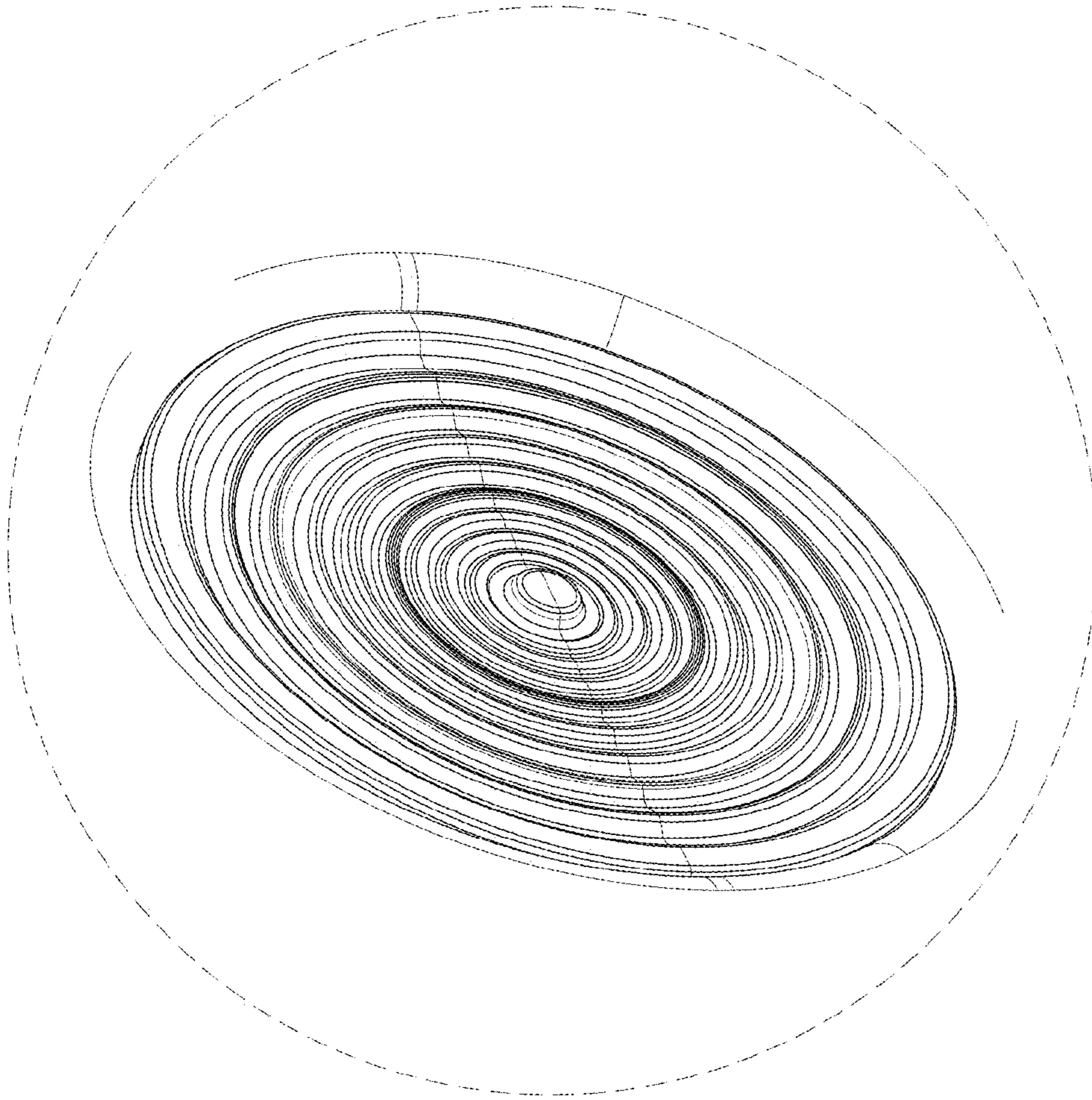


FIG. 9

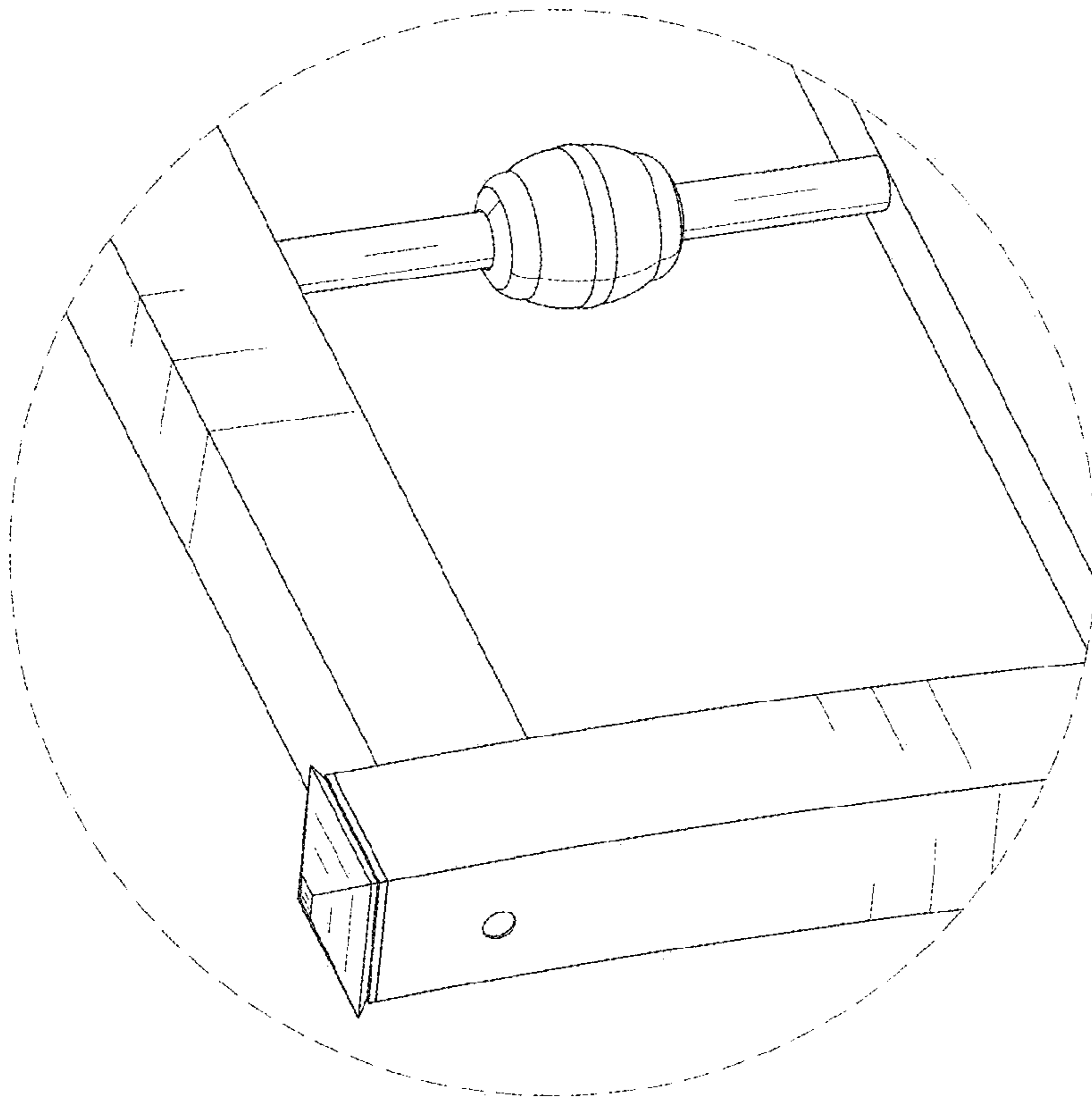


FIG. 8

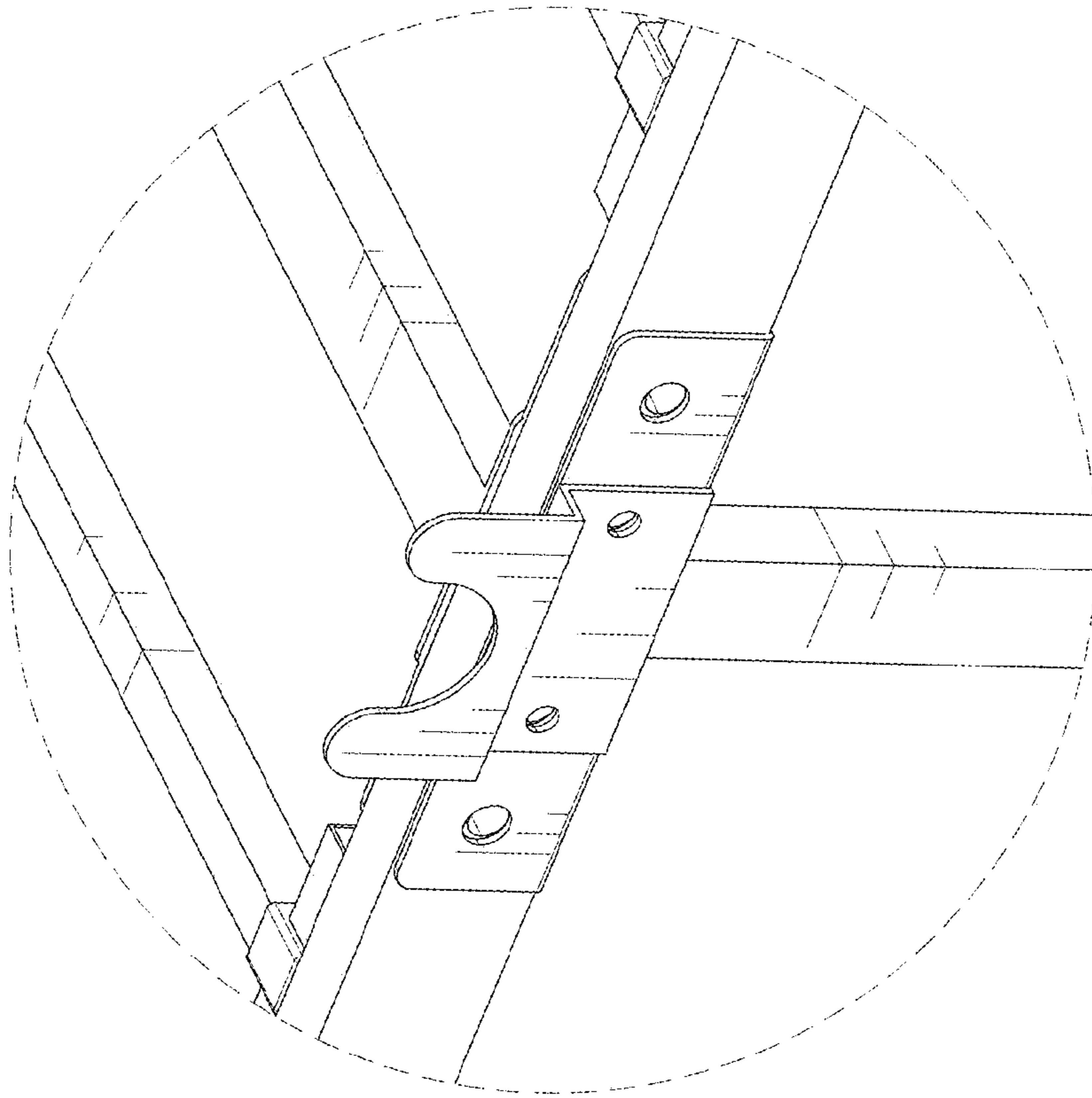


FIG. 10

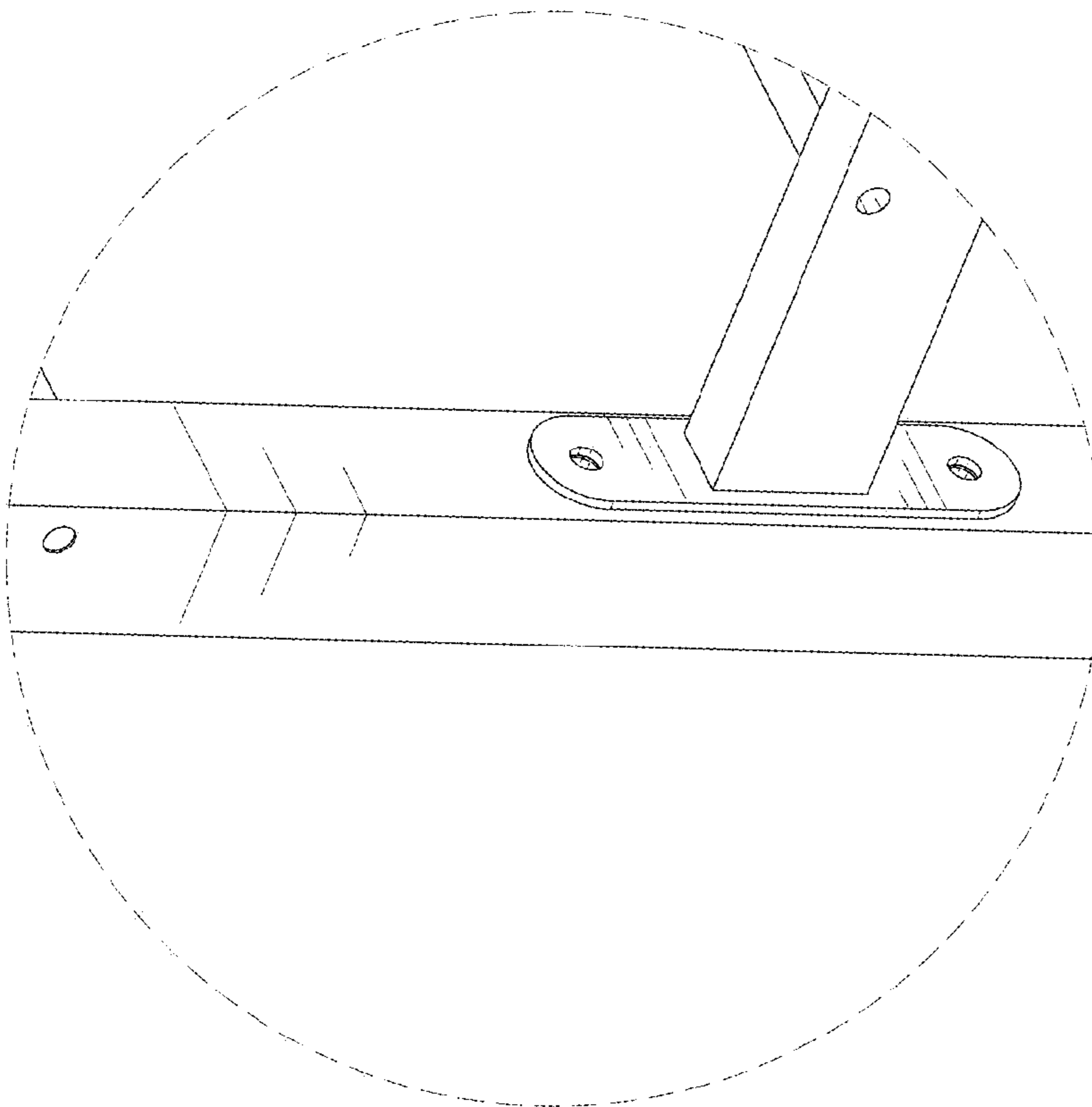


FIG. 11

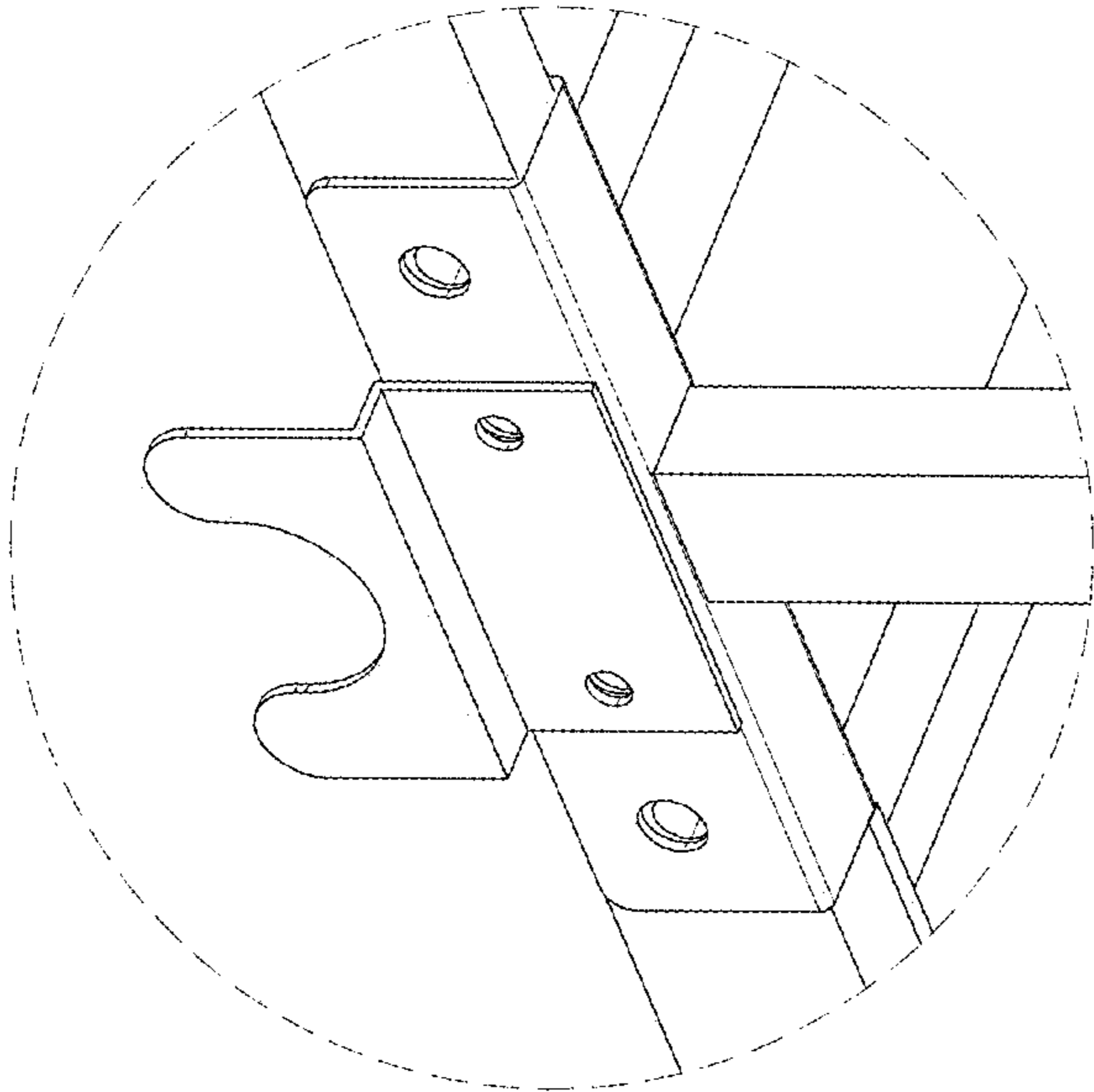


FIG. 13

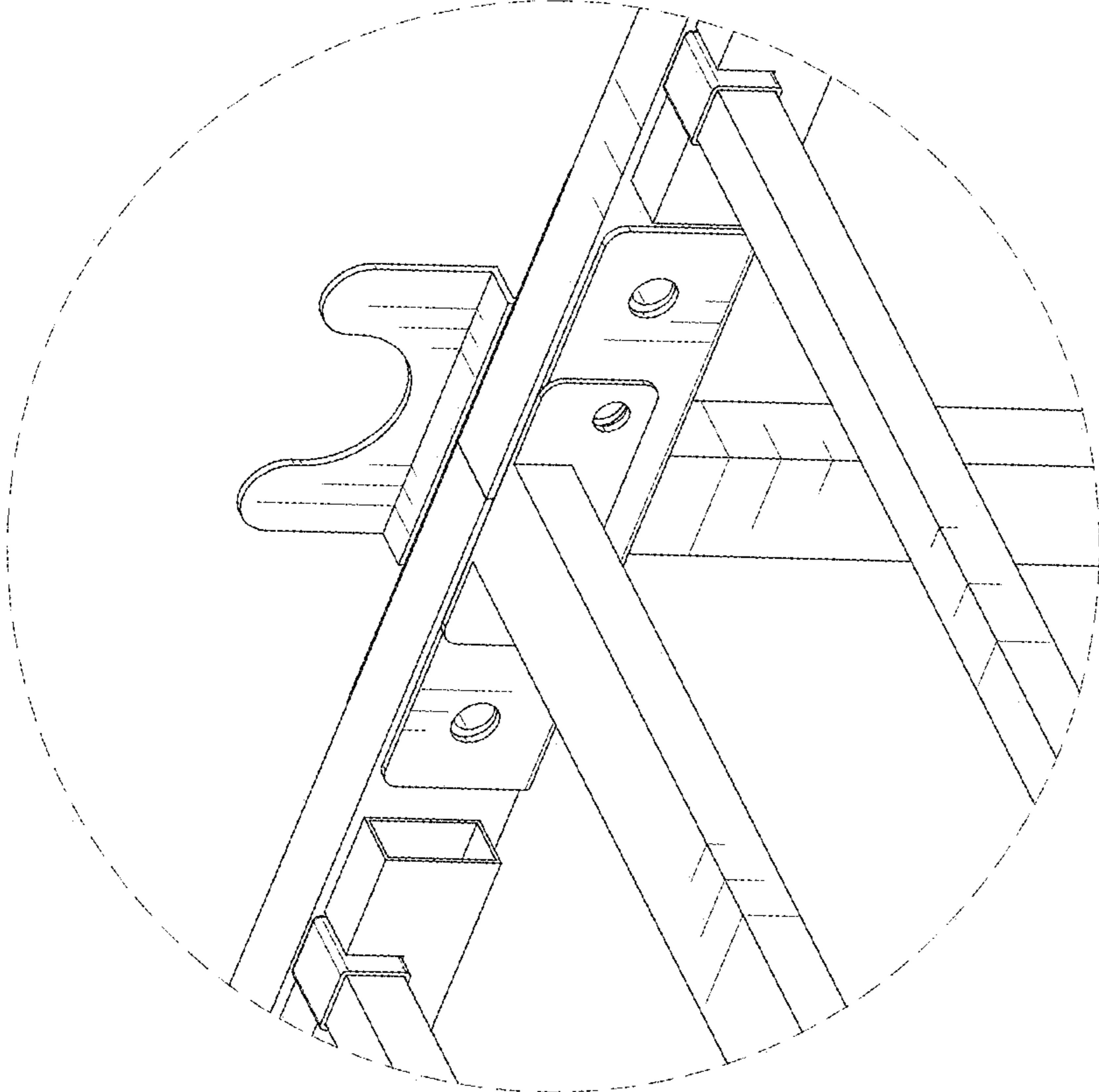


FIG. 12

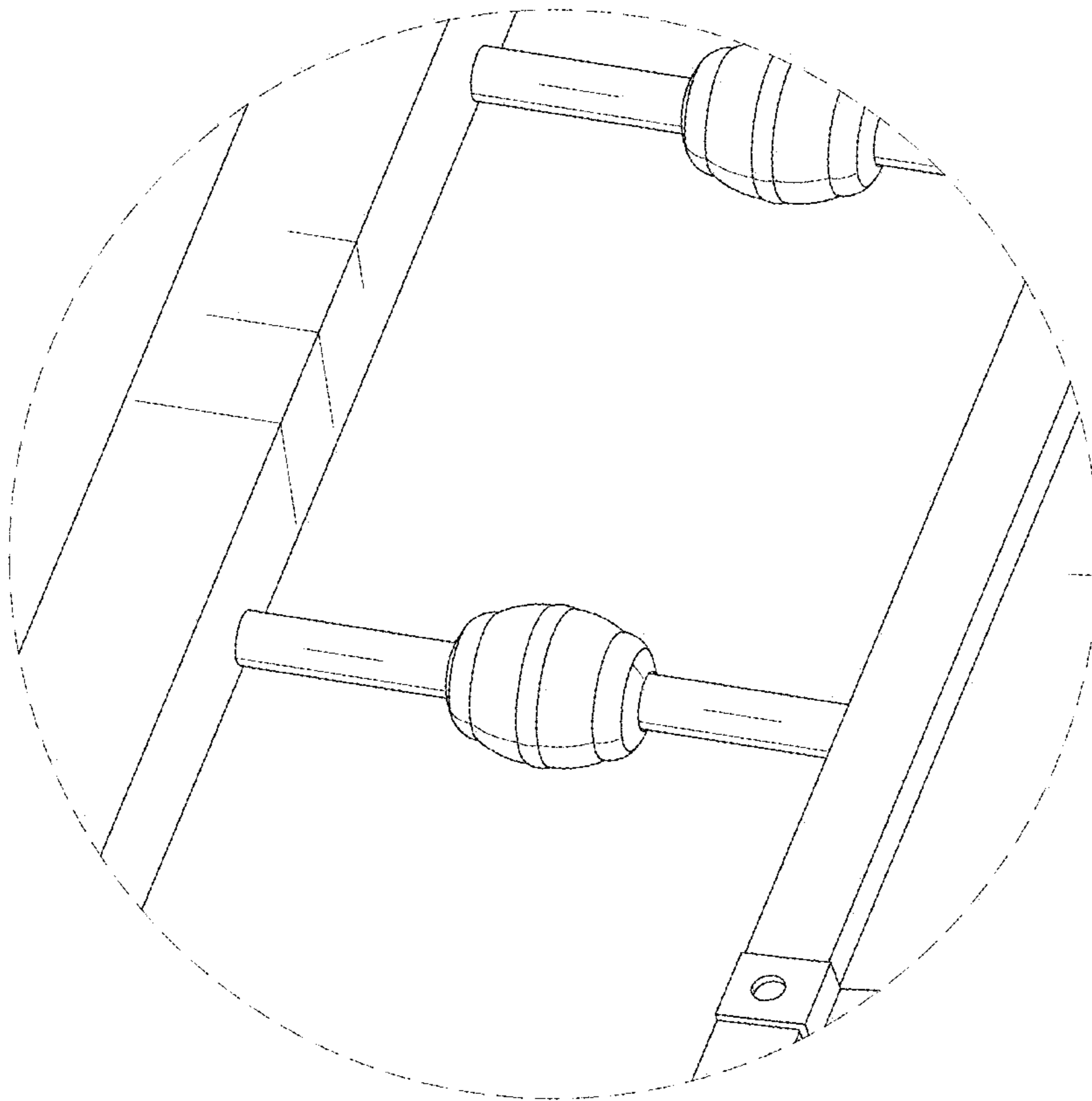


FIG. 14

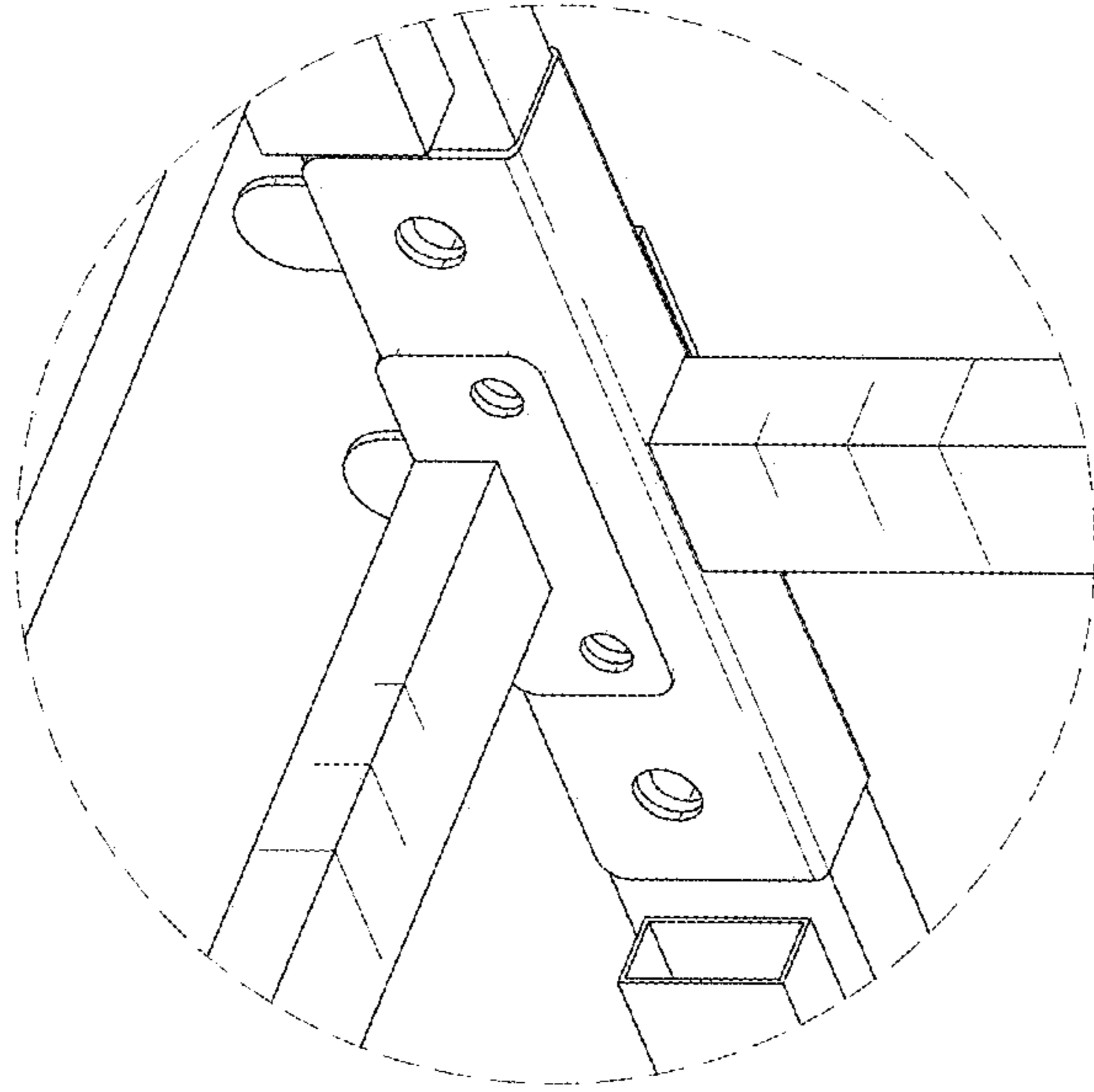


FIG. 15

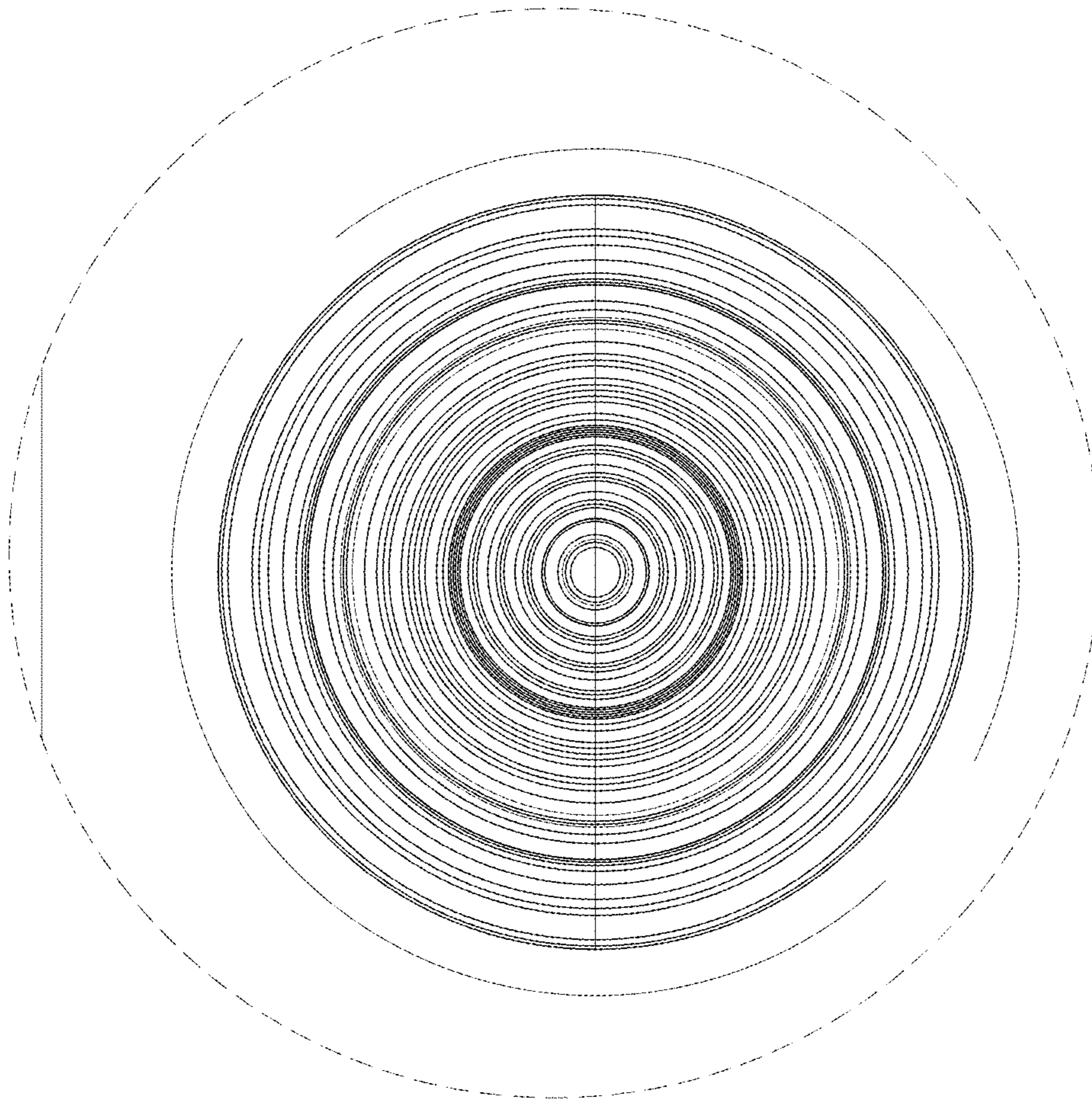


FIG. 16