



US00D981129S

(12) **United States Design Patent** (10) **Patent No.:** **US D981,129 S**
Ke (45) **Date of Patent:** **** Mar. 21, 2023**

(54) **BABY CRIB**

(71) Applicant: **Jingjing Ke**, Jinjiang (CN)

(72) Inventor: **Jingjing Ke**, Jinjiang (CN)

(**) Term: **15 Years**

(21) Appl. No.: **29/850,773**

(22) Filed: **Aug. 23, 2022**

(51) **LOC (14) Cl.** **06-02**

(52) **U.S. Cl.**
USPC **D6/390**

(58) **Field of Classification Search**
USPC D6/329, 331, 332, 333, 385, 703, 708,
D6/718, 390-392; D30/108
CPC A47D 7/00; A47D 13/00; A47D 13/006;
A47D 13/0061; A47D 13/0063; A47D
13/0065; A47D 13/0066; A47D 13/0068
See application file for complete search history.

(56) **References Cited**

U.S. PATENT DOCUMENTS

D382,718 S *	8/1997	Mariol	D6/331
D462,532 S *	9/2002	Hartenstine	D6/331
D520,262 S *	5/2006	Hsu	D6/390
D580,663 S *	11/2008	Gentil	D6/331
D610,357 S *	2/2010	Gillett	D6/331
D619,379 S *	7/2010	Gillett	D6/331
D619,816 S *	7/2010	Chen	D6/390
D621,170 S *	8/2010	Hartenstine	D6/331

(Continued)

OTHER PUBLICATIONS

Bloroom Crib, retrieved from amazon.com, posting date Jun. 21, 2022, online, retrieved Nov. 15, 2022, URL:https://www.amazon.com/BLOROOM-Bassinet-Mattress-Foldable-Portable/dp/B0B4PPKRQY/ref=psdc_165797011_t3_B0B2W8S9HL (Year: 2022).*

(Continued)

Primary Examiner — Barbara Fox
Assistant Examiner — Michelle Marquart Christeon

(57) **CLAIM**

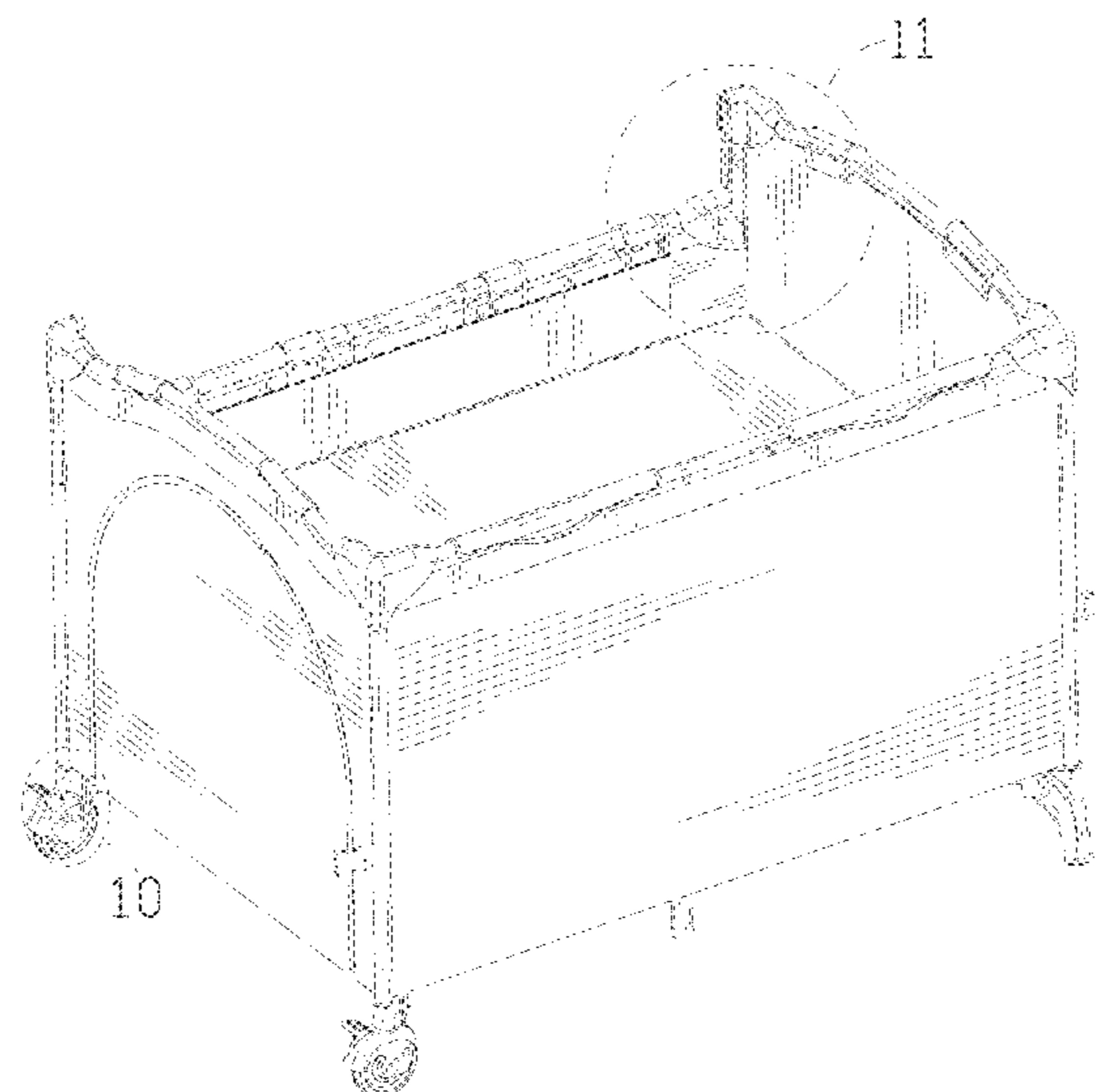
The ornamental design for a baby crib, as shown and described.

DESCRIPTION

FIG. 1 is a front and top perspective view of a baby crib, showing my new design;
FIG. 2 is a rear and bottom perspective view thereof;
FIG. 3 is a front elevation view thereof;
FIG. 4 is a rear elevation view thereof;
FIG. 5 is a left side elevation view thereof;
FIG. 6 is a right side elevation view thereof;
FIG. 7 is a top plan view thereof;
FIG. 8 is a bottom plan view thereof;
FIG. 9 is another perspective view thereof, shown in an alternative position;
FIG. 10 is an enlarged perspective view of detail “10” identified in FIG. 1;
FIG. 11 is an enlarged perspective view of detail “11” identified in FIG. 1;
FIG. 12 is an enlarged perspective view of detail “12” identified in FIG. 2;
FIG. 13 is an enlarged perspective view of detail “13” identified in FIG. 2;
FIG. 14 is an enlarged perspective view of detail “14” identified in FIG. 2;
FIG. 15 is an enlarged perspective view of detail “15” identified in FIG. 5; and,
FIG. 16 is an enlarged perspective view of detail “16” identified in FIG. 8.

The dashed lines in the figures illustrate portions of the baby crib that form no part of the claimed design. The dash dot dash lines in FIGS. 1, 2, 5, 8, 10, 11, 12, 13, 14, 15 and 16 are for the purpose of depicting the boundary lines of the enlarged views and form no part of the claimed design.

1 Claim, 16 Drawing Sheets



(56)

References Cited

U.S. PATENT DOCUMENTS

2006/0218725 A1* 10/2006 Carpenter A47D 7/04
5/95
2009/0056013 A1* 3/2009 Hartenstine A47D 13/063
5/93.1
2009/0077740 A1* 3/2009 Jackson A47D 11/007
5/93.1

OTHER PUBLICATIONS

Baby Joy Crib, retrieved from amazon.com, posting date Sep. 14, 2019, online, retrieved Nov. 15, 2022, URL:https://www.amazon.com/dp/B09QHGWGY7/ref=sspa_dk_detail_6?pf_rd_p=46bad5f6-1f0a-4167-9a8b-8a82fa48a54&pf_rd_r= (Year: 2019).*

Baby Joy Crib, retrieved from amazon.com, posting date Dec. 15, 2021, online, retrieved Nov. 15, 2022, URL:https://www.amazon.com/Baby-Trend-Portable-Playard-Bassinet/dp/B08TMJR4PB/ref=cm_cr_arp_d_product_top?ie=UTF8 (Year: 2021).*

Bugaboo Stardust Playard, retrieved from amazon.com, posting date Nov. 13, 2020, online, retrieved Nov. 16, 2022, URL:https://www.amazon.com/gp/product/B08CY8CY3H/ref=ask_ql_qh_dp_hza?th=1 (Year: 2020).*

* cited by examiner

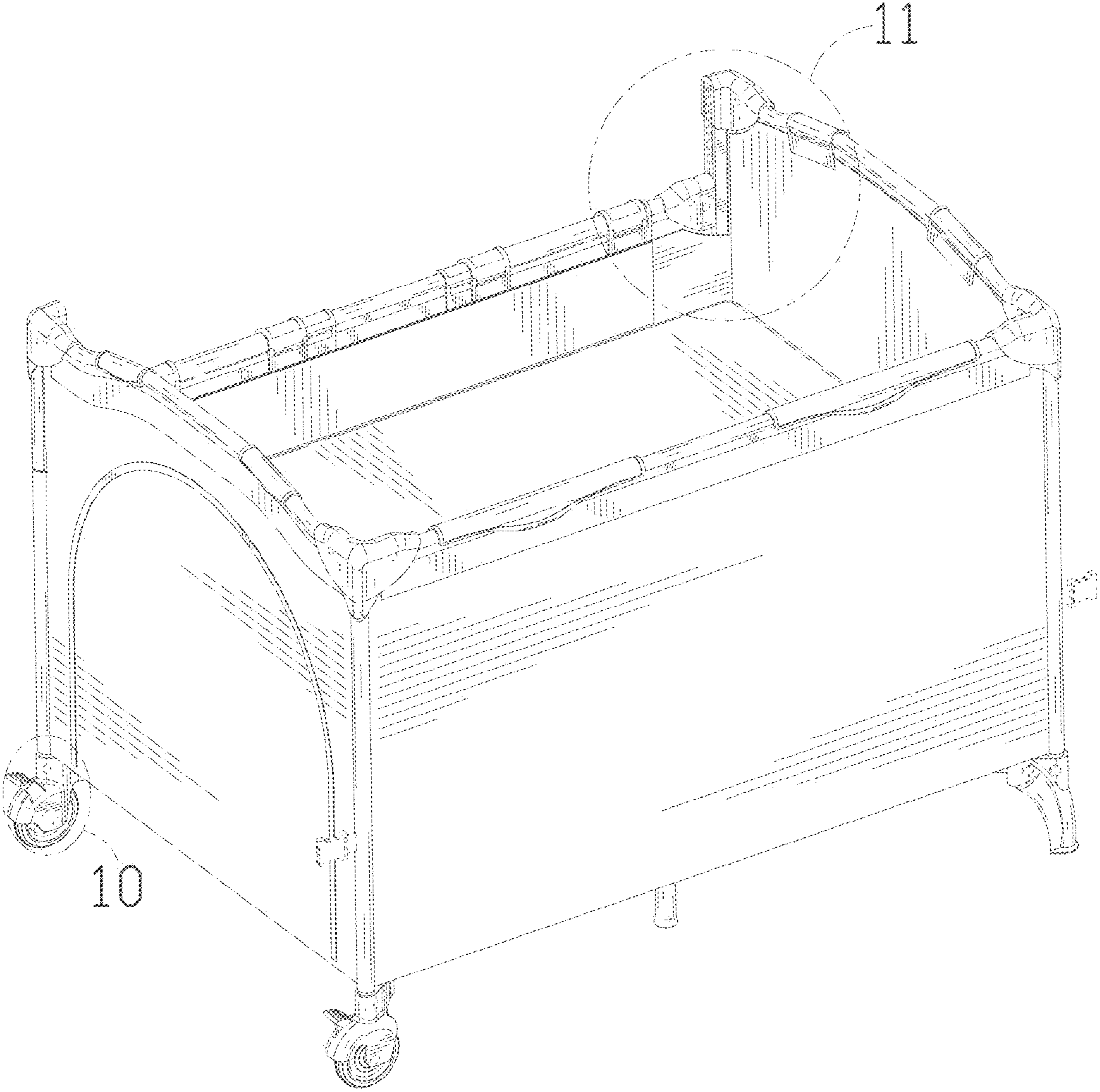


FIG. 1

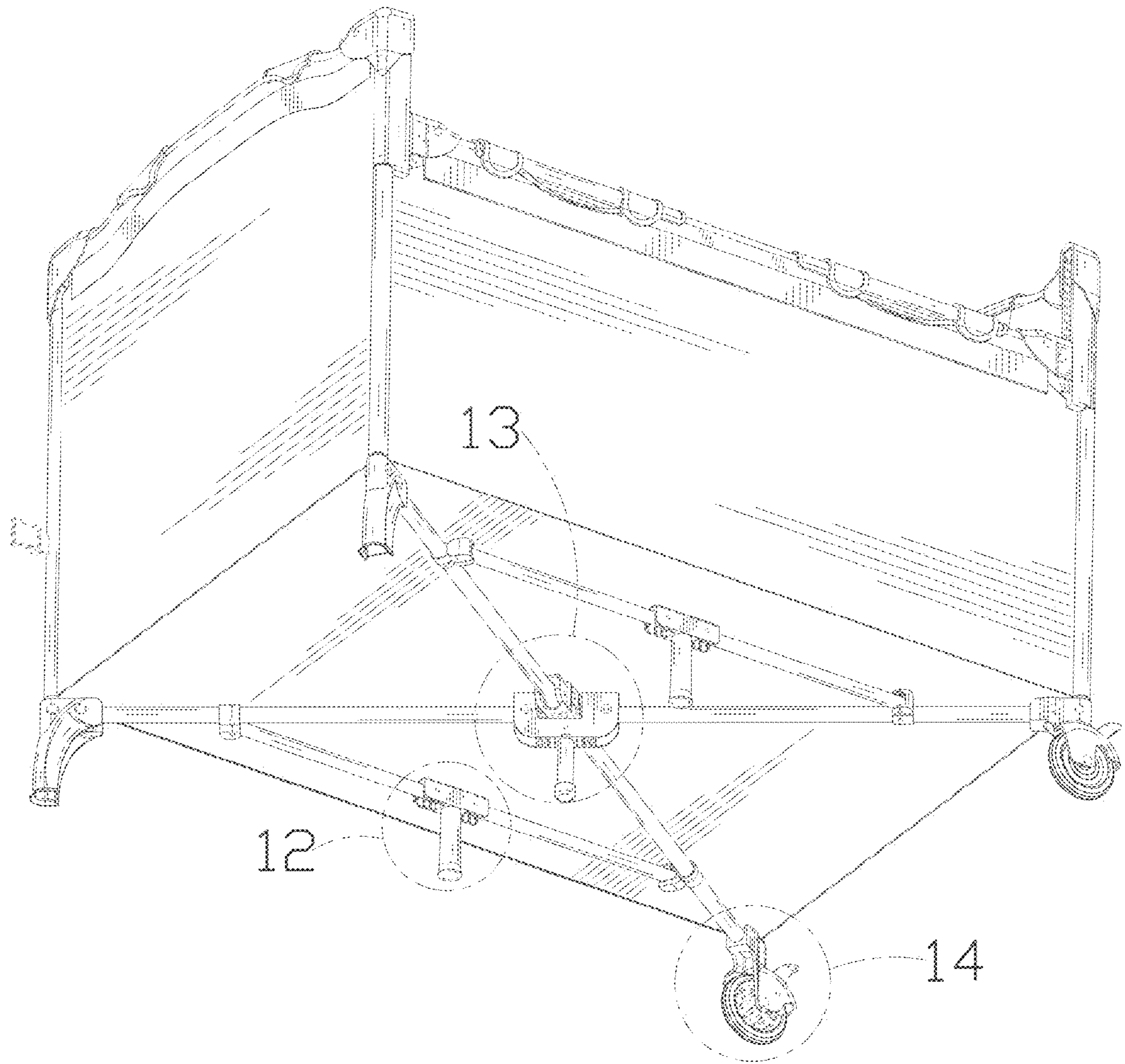


FIG. 2

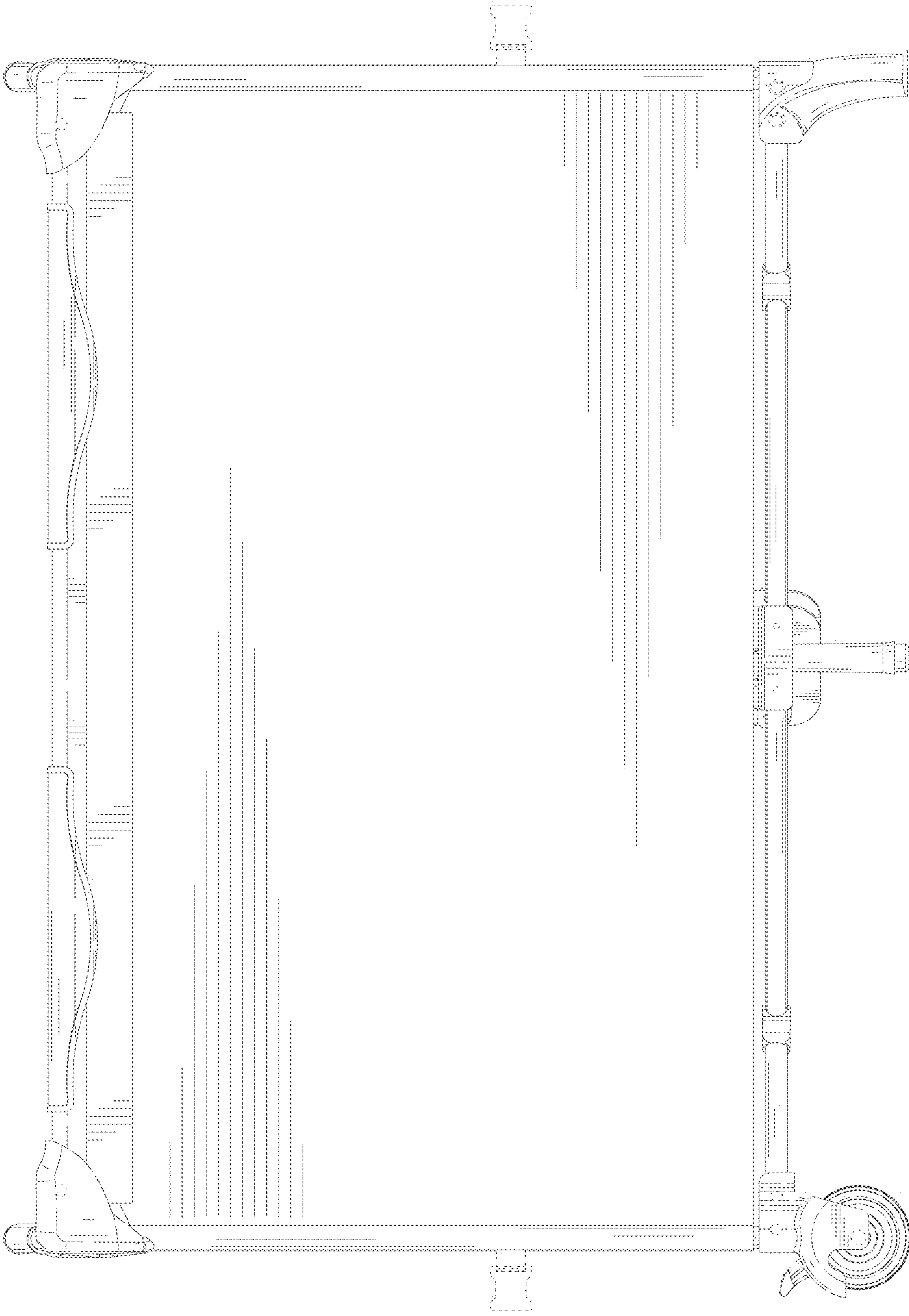


FIG. 3

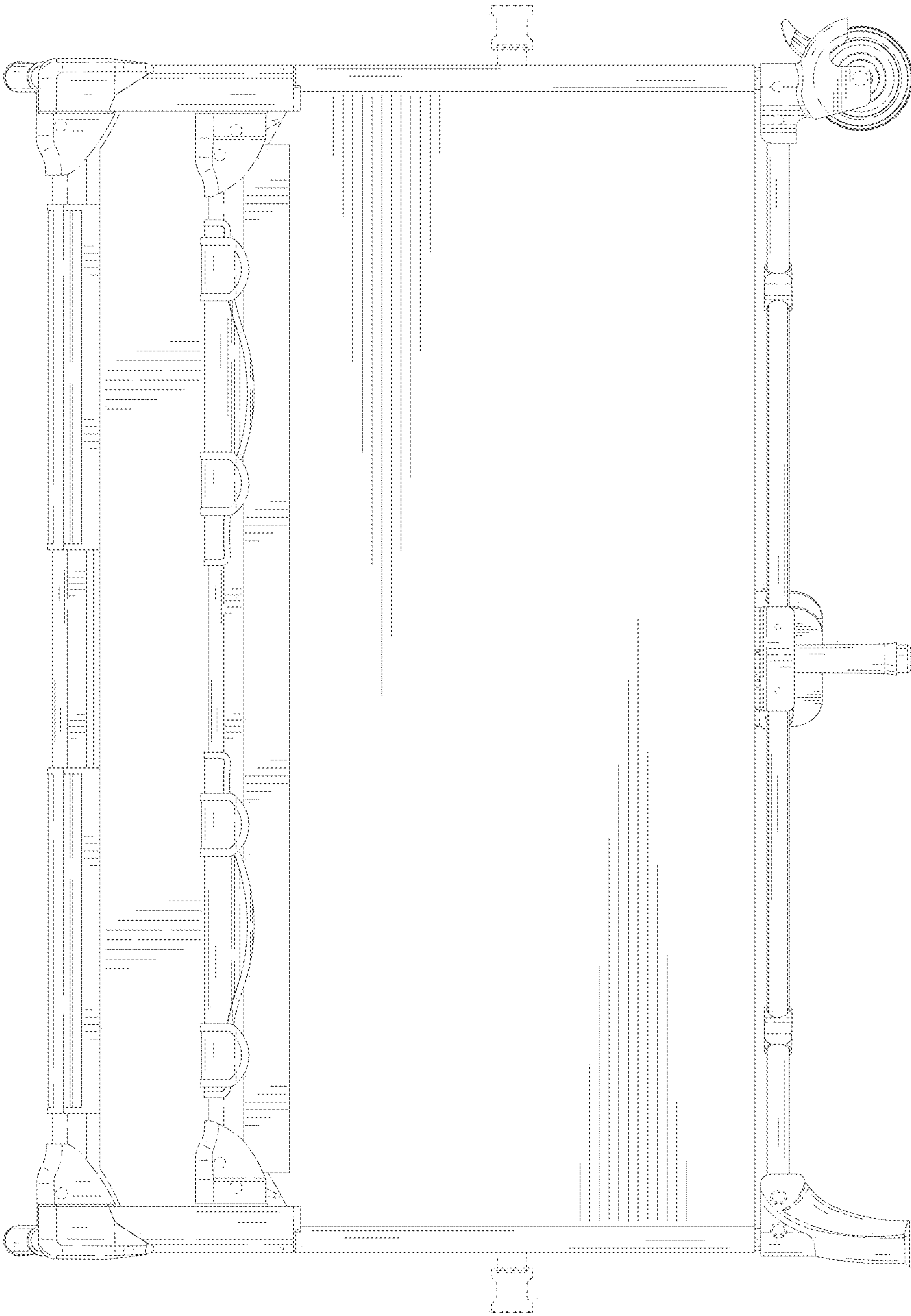


FIG. 4

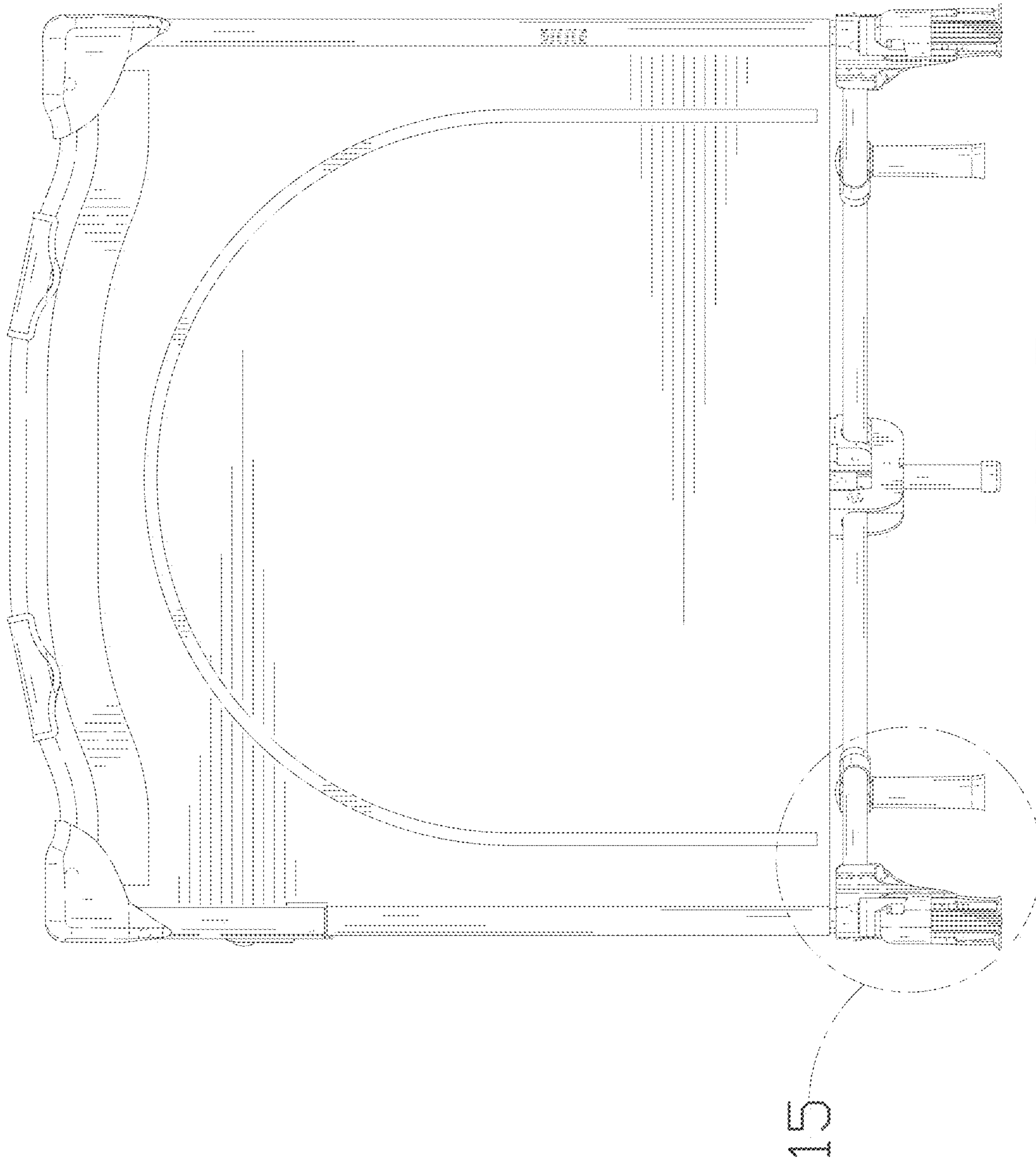


FIG. 5

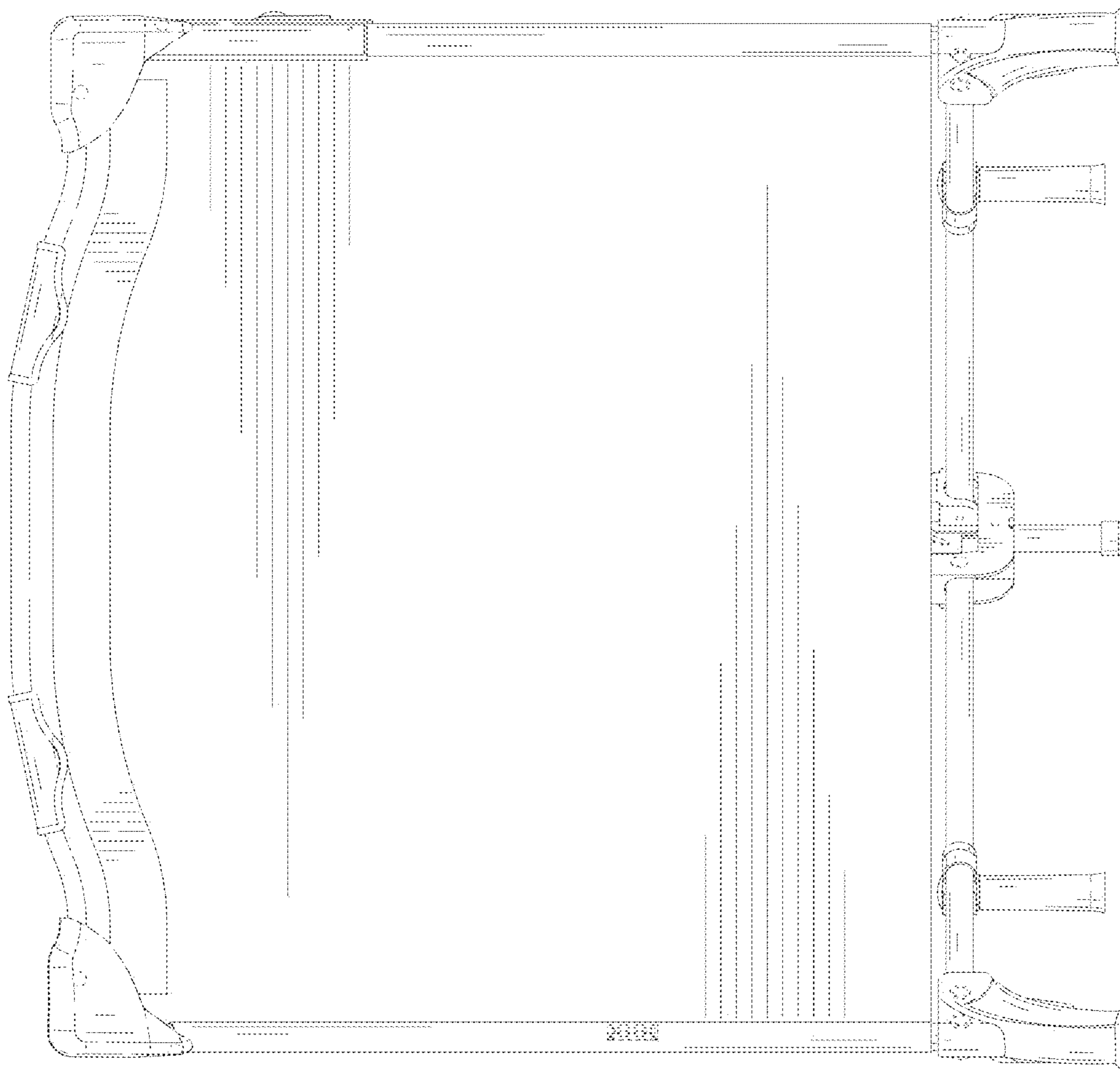


FIG. 6

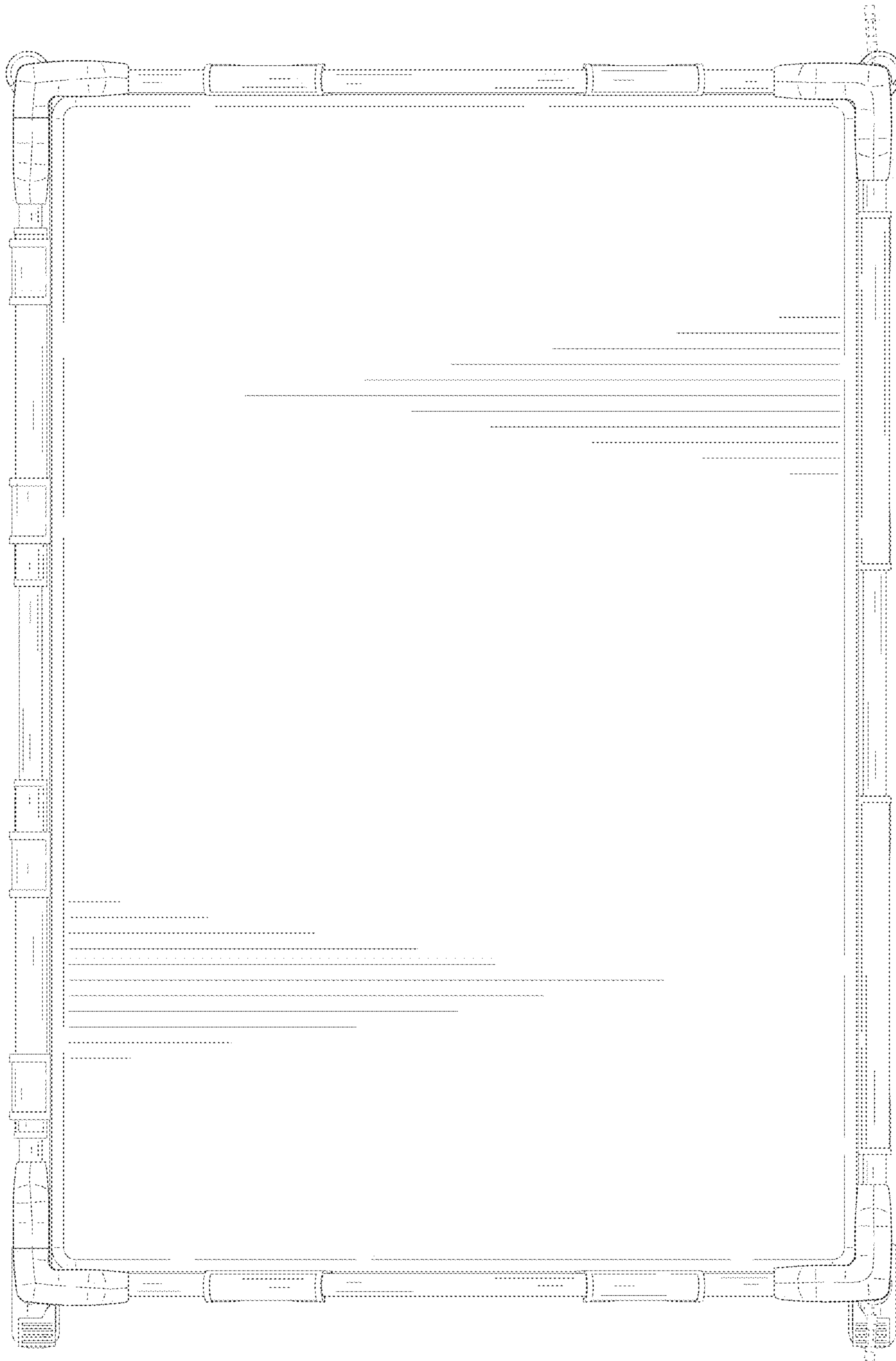


FIG. 7

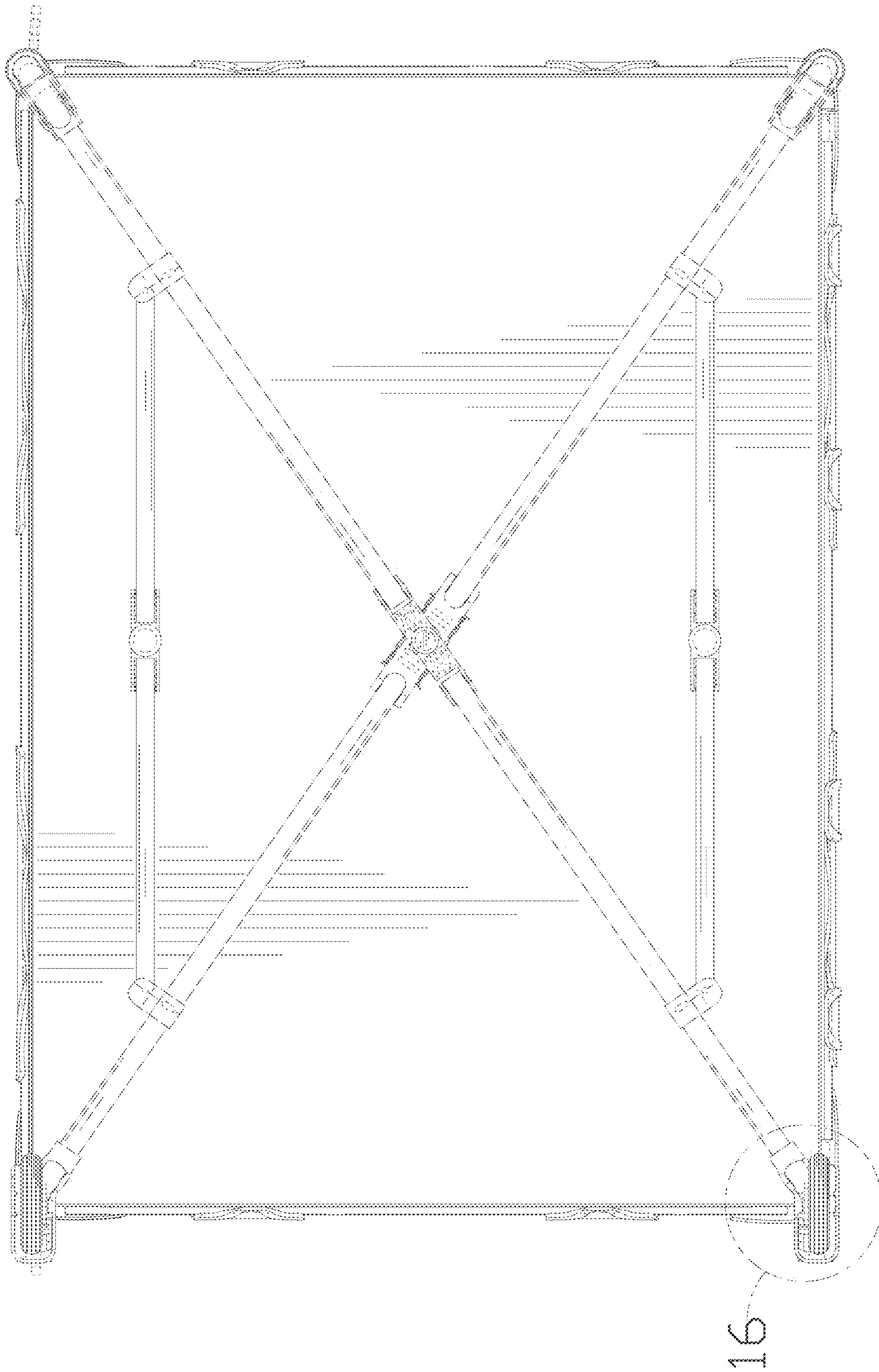


FIG. 8

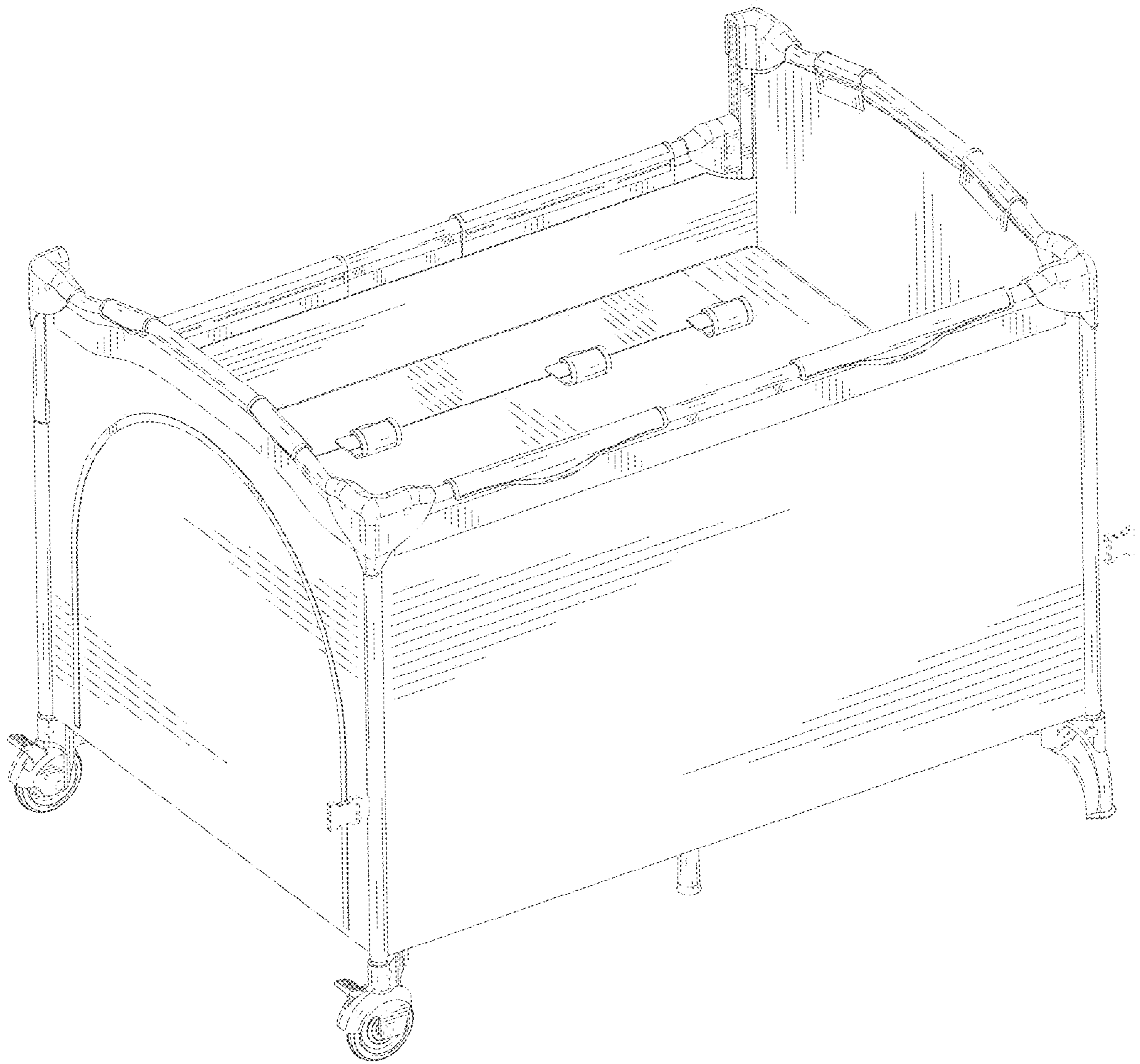


FIG. 9

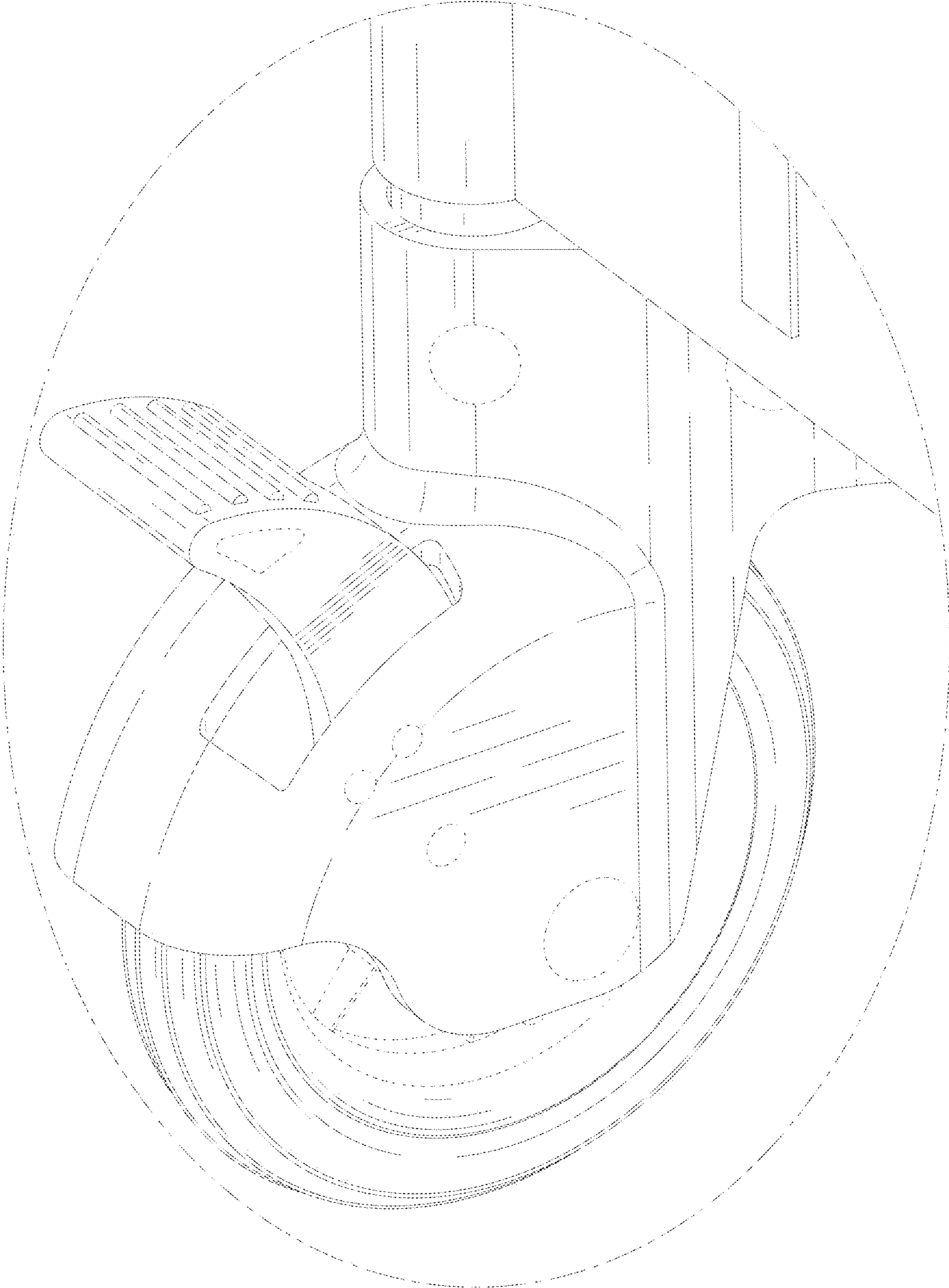


FIG. 10

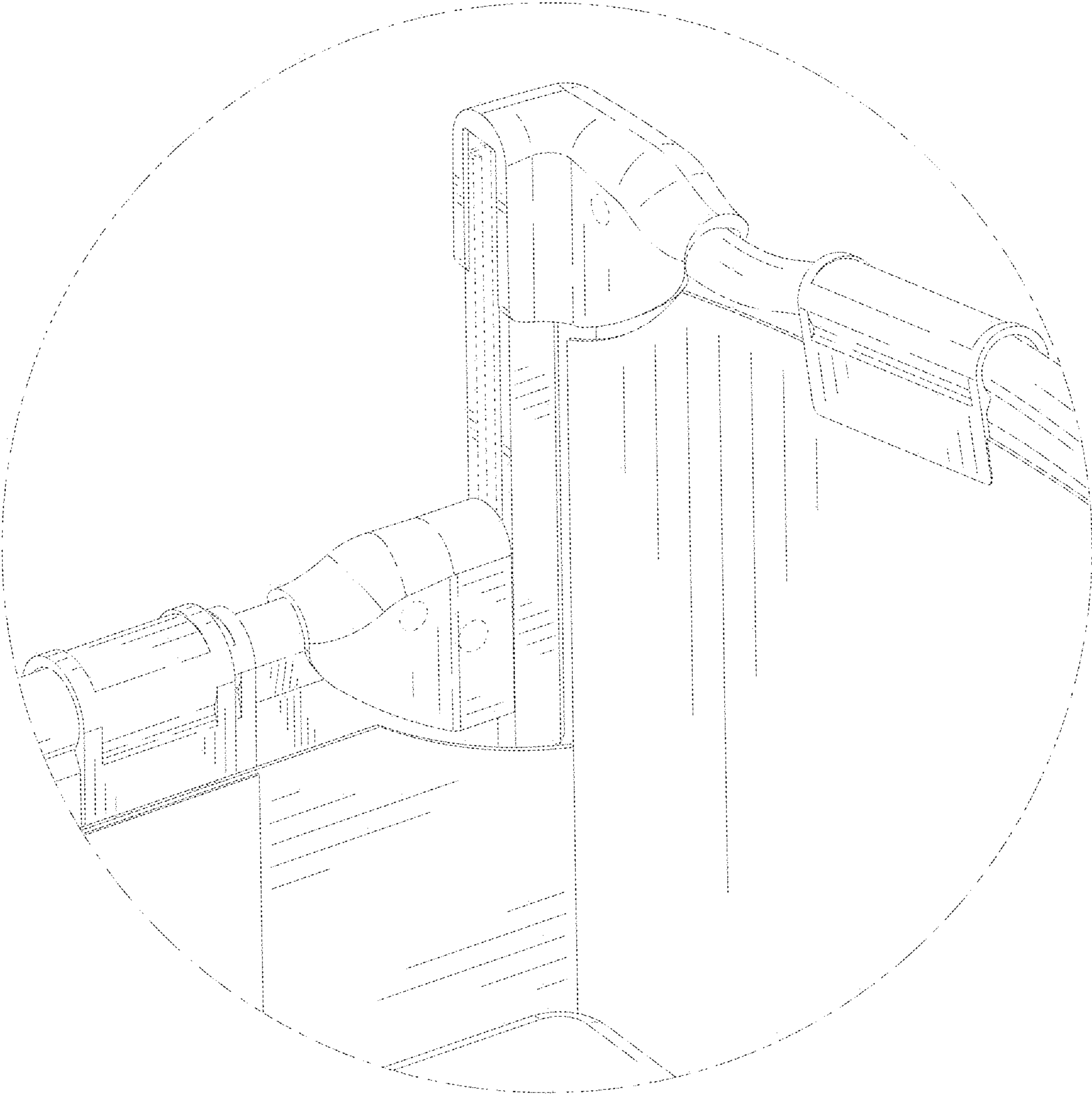


FIG. 11

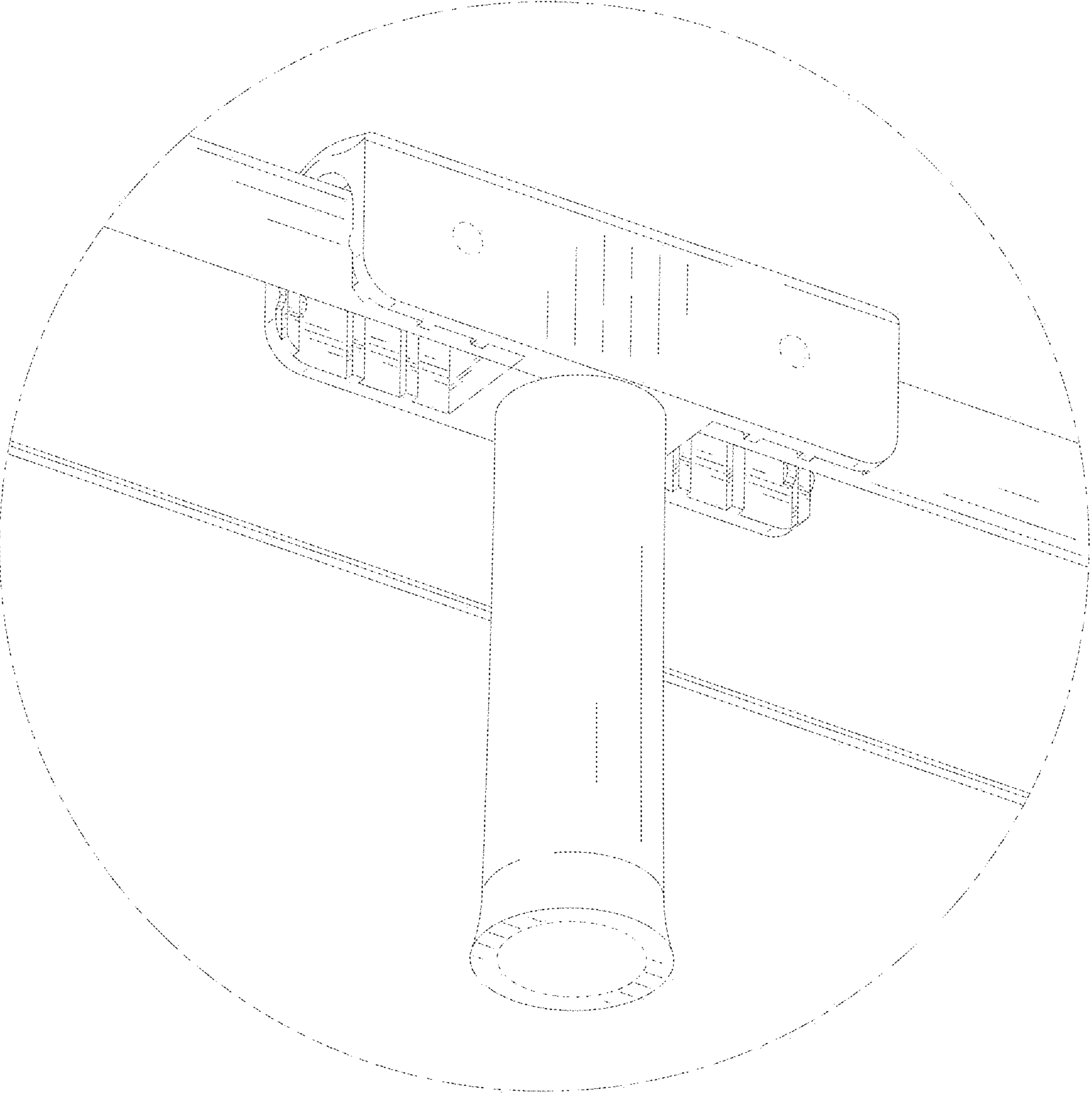


FIG. 12

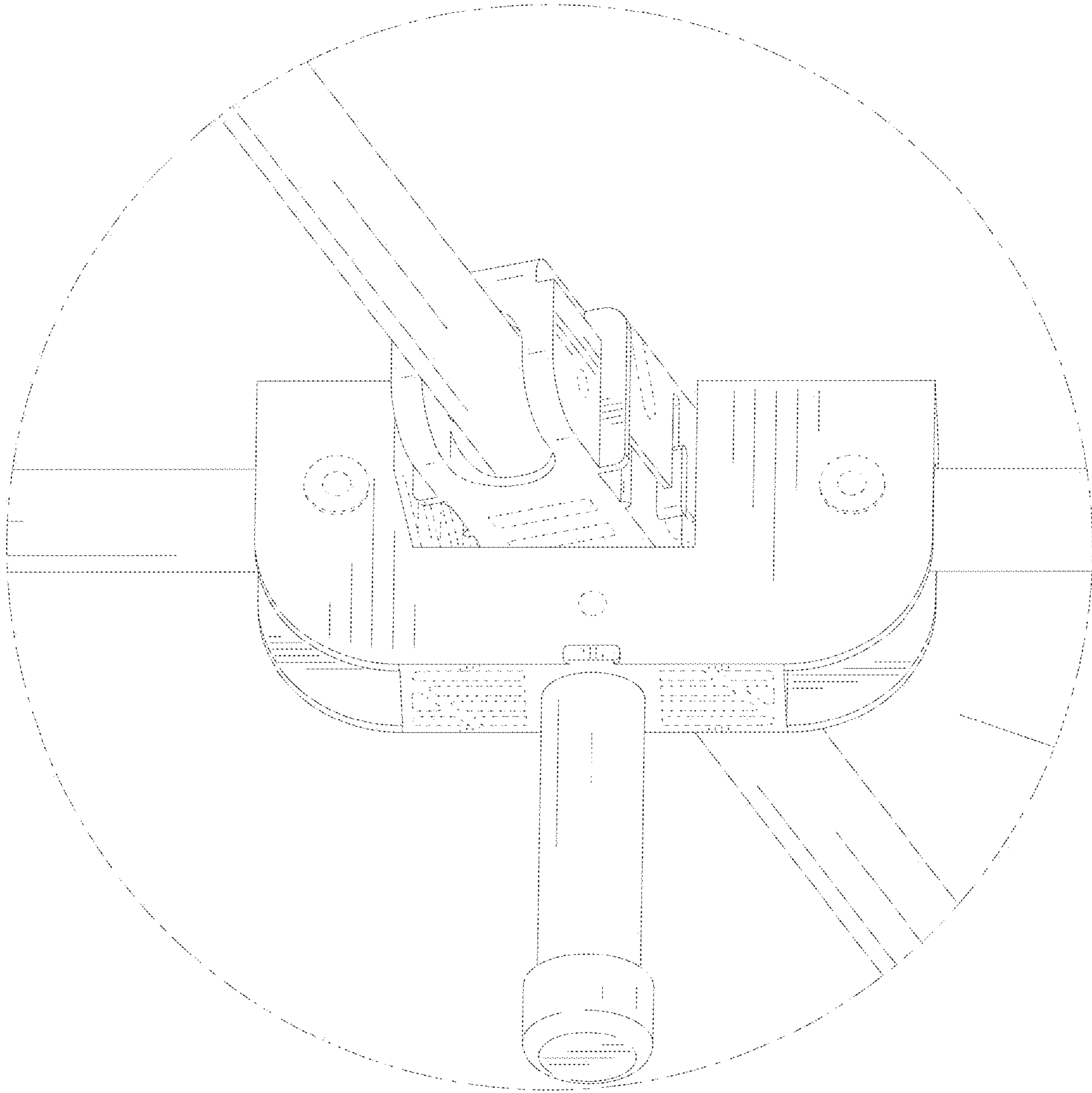


FIG. 13

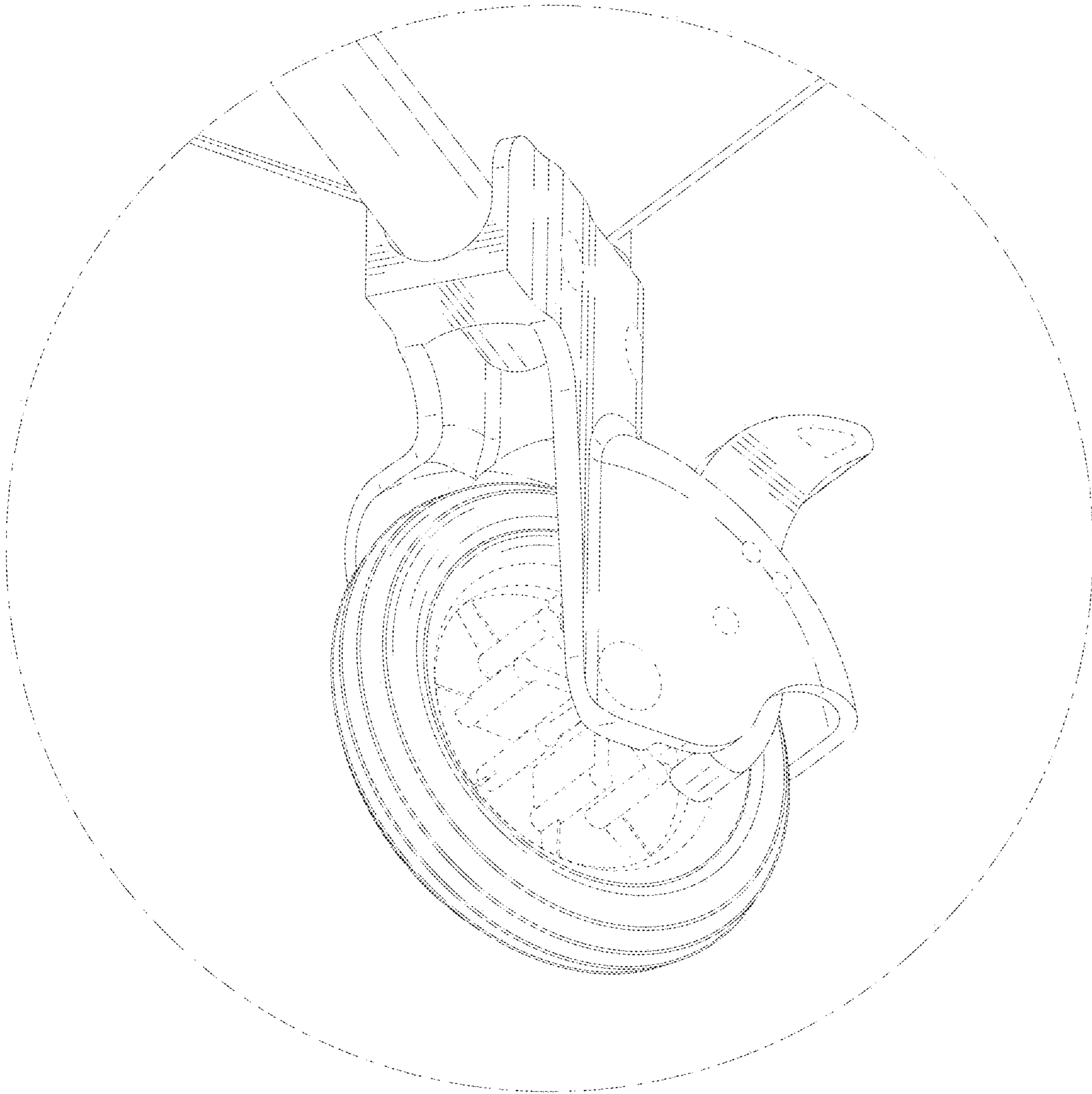


FIG. 14

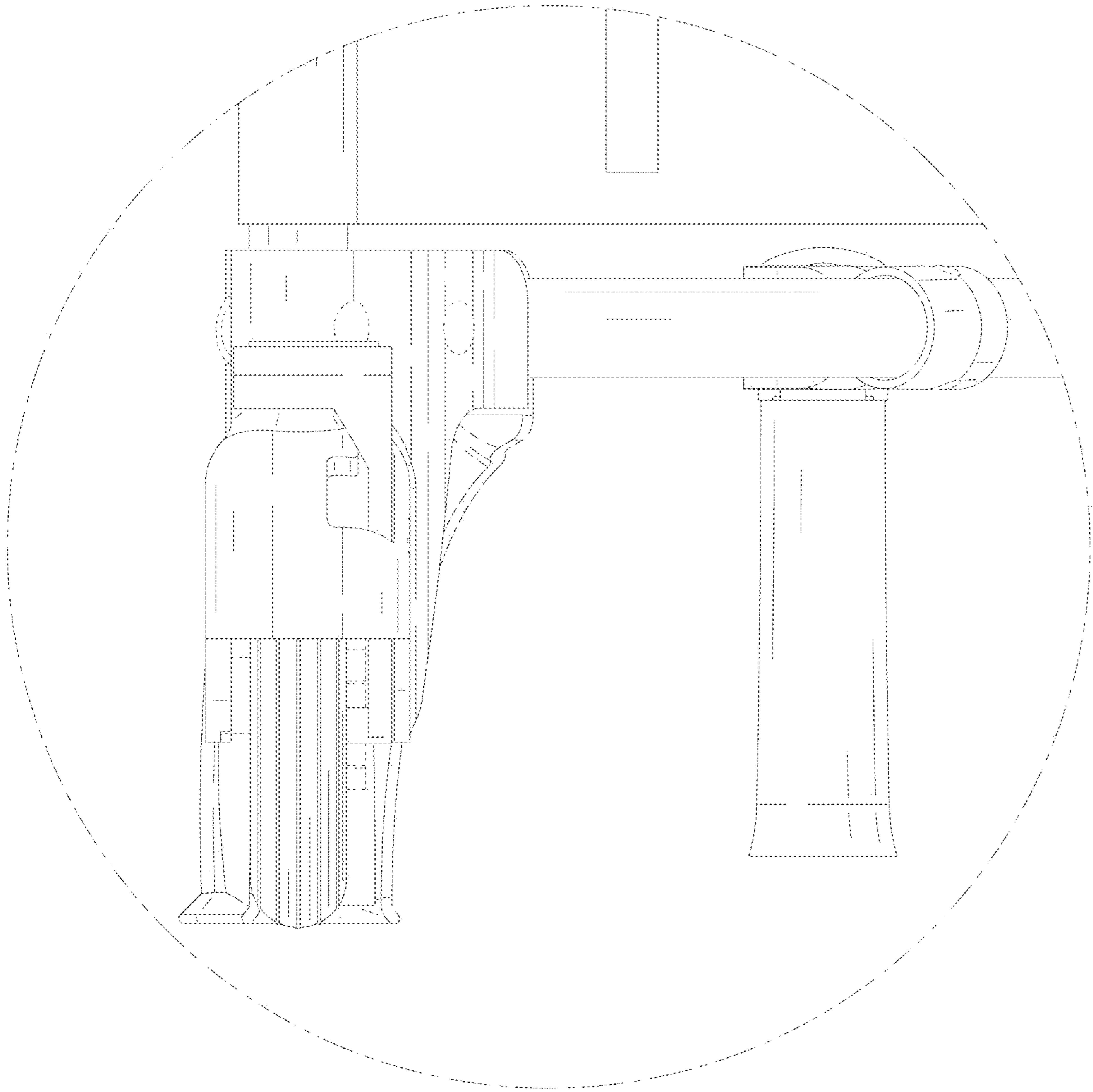


FIG. 15

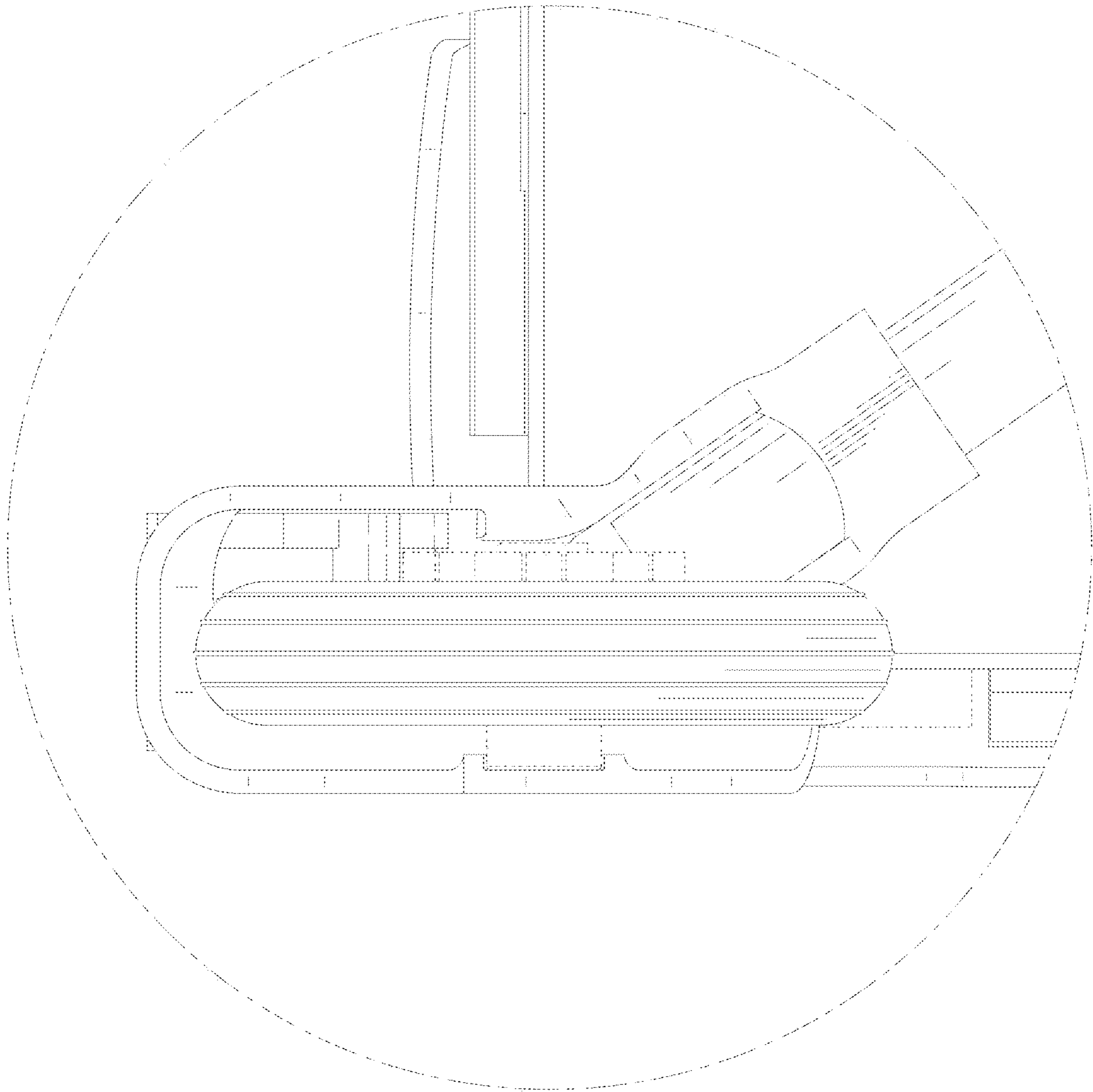


FIG. 16