



US00D981126S

(12) **United States Design Patent**
Lissoni

(10) **Patent No.:** **US D981,126 S**
(45) **Date of Patent:** **** Mar. 21, 2023**

- (54) **SOFA**
- (71) Applicant: **Knoll, Inc.**, East Greenville, PA (US)
- (72) Inventor: **Piero Lissoni**, East Greenville, PA (US)
- (73) Assignee: **Knoll, Inc.**
- (**) Term: **15 Years**
- (21) Appl. No.: **29/733,508**
- (22) Filed: **May 4, 2020**

Related U.S. Application Data

- (62) Division of application No. 29/692,322, filed on May 24, 2019, now Pat. No. Des. 882,982, which is a division of application No. 29/619,683, filed on Sep. 29, 2017, now Pat. No. Des. 849,427.

(30) **Foreign Application Priority Data**

Mar. 31, 2017 (EM) 003833995

(51) **LOC (14) Cl.** **06-01**

(52) **U.S. Cl.**
USPC **D6/381**

(58) **Field of Classification Search**
 USPC D6/334, 335, 336, 341, 360, 361, 364,
 D6/365, 366, 367, 368, 369, 371, 372,
 D6/373, 374, 375, 376, 377, 378, 381
 CPC A47C 1/00; A47C 13/00; A47C 13/005;
 A47C 17/002
 See application file for complete search history.

(56) **References Cited**

U.S. PATENT DOCUMENTS

D192,913 S 5/1962 Wilson
 D193,929 S 10/1962 Ritts

D202,339 S	9/1965	McRee	
D206,331 S	11/1966	Kasparian	
D237,026 S	10/1975	Vogt	
D256,297 S *	8/1980	Gera	D6/336
D270,403 S	9/1983	Matthias	
D280,055 S	8/1985	Offredi	
D431,381 S	10/2000	Gomez	
D474,909 S	5/2003	Ricci	
D487,998 S *	4/2004	Natuzzi	D6/381
D498,064 S *	11/2004	Gomez	D6/334
D501,330 S *	2/2005	Gomez	D6/334
D607,227 S	1/2010	Massaud	
D753,408 S	4/2016	Lade	
D761,029 S	7/2016	Behar et al.	
D761,583 S	7/2016	Warren	
D762,998 S	8/2016	Warren	
D785,356 S	5/2017	Massaud	
D787,207 S	5/2017	Webb	
D789,103 S	6/2017	Webb	
D804,843 S	12/2017	Urquiola	
D818,733 S	5/2018	Hiyoshi et al.	
D826,607 S	8/2018	Zdanius	
D834,846 S	12/2018	Woller	

(Continued)

Primary Examiner — Deanna L Pratt

(74) *Attorney, Agent, or Firm* — The Belles Group, P.C.

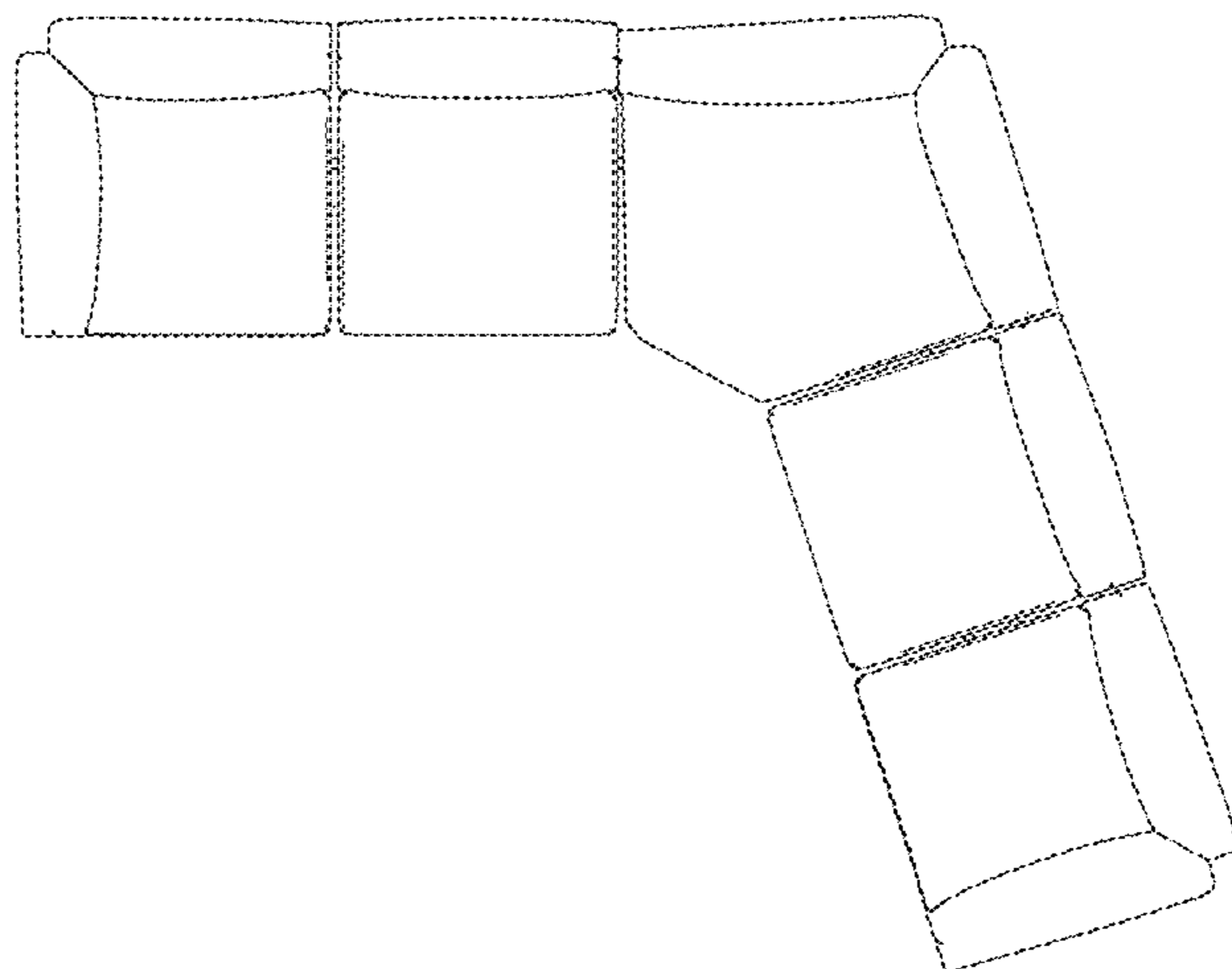
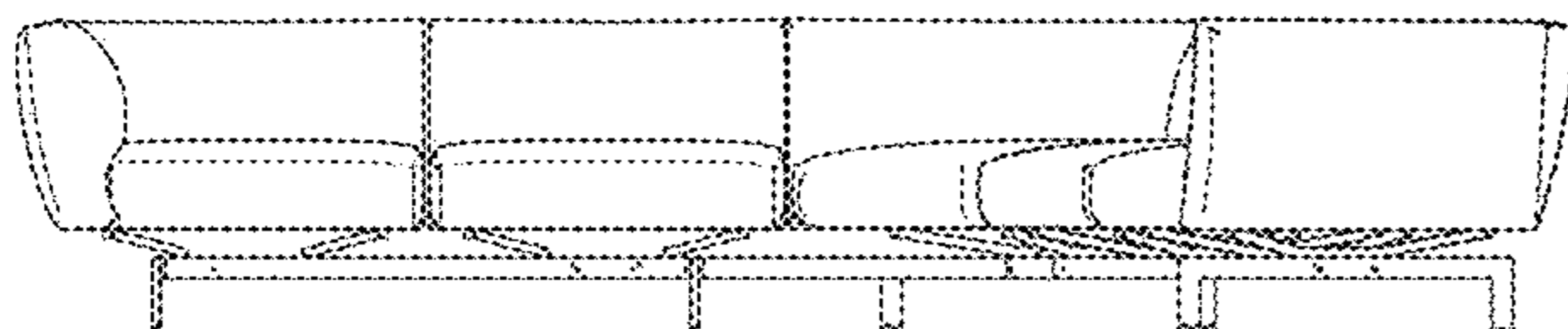
(57) **CLAIM**

The ornamental design for a sofa, as shown and described.

DESCRIPTION

FIG. 1 is a front elevational view of the sofa of the present design;
 FIG. 2 is a top plan view thereof;
 FIG. 3 is a bottom plan view thereof;
 FIG. 4 is a rear elevational view thereof;
 FIG. 5 is a side elevational view thereof; and,
 FIG. 6 is a perspective view thereof in a disassembled state.
 The broken lines in the drawings illustrate portions of the sofa that form no part of the claimed design.

1 Claim, 6 Drawing Sheets



(56)

References Cited

U.S. PATENT DOCUMENTS

D841,999 S	3/2019	Velez	
D849,427 S	5/2019	Lissoni	
D850,137 S	6/2019	Lissoni	
D859,025 S	9/2019	Mart	
D882,982 S *	5/2020	Lissoni	D6/381
D885,076 S *	5/2020	Lissoni	D6/378
D891,130 S *	7/2020	Kanthasamy	D6/381
D891,794 S *	8/2020	Saotome	D6/709
D901,912 S *	11/2020	Barber	D6/381
D907,934 S *	1/2021	Barber	D6/381
D908,374 S *	1/2021	Barber	D6/381
D912,411 S *	3/2021	Anderssen	D6/381
D964,769 S *	9/2022	Anderssen	D6/381

* cited by examiner

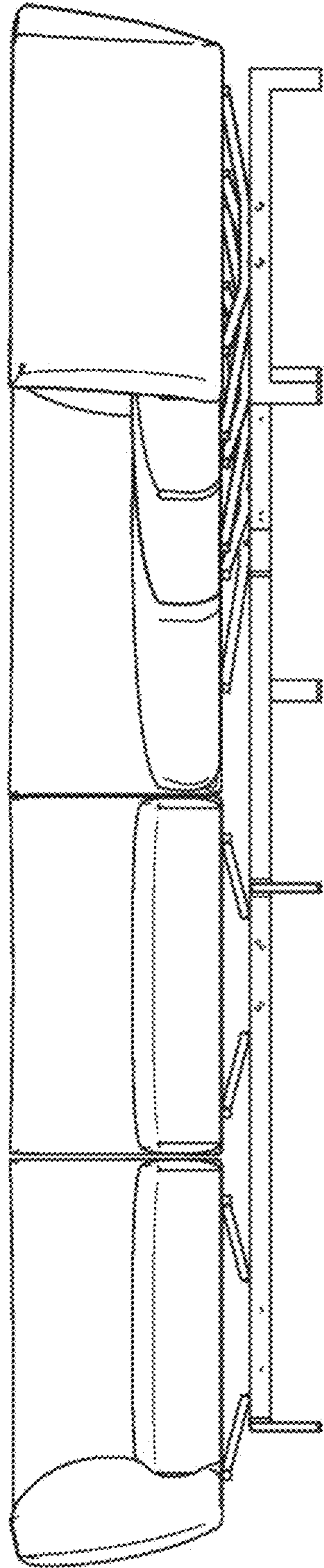


FIG. 1

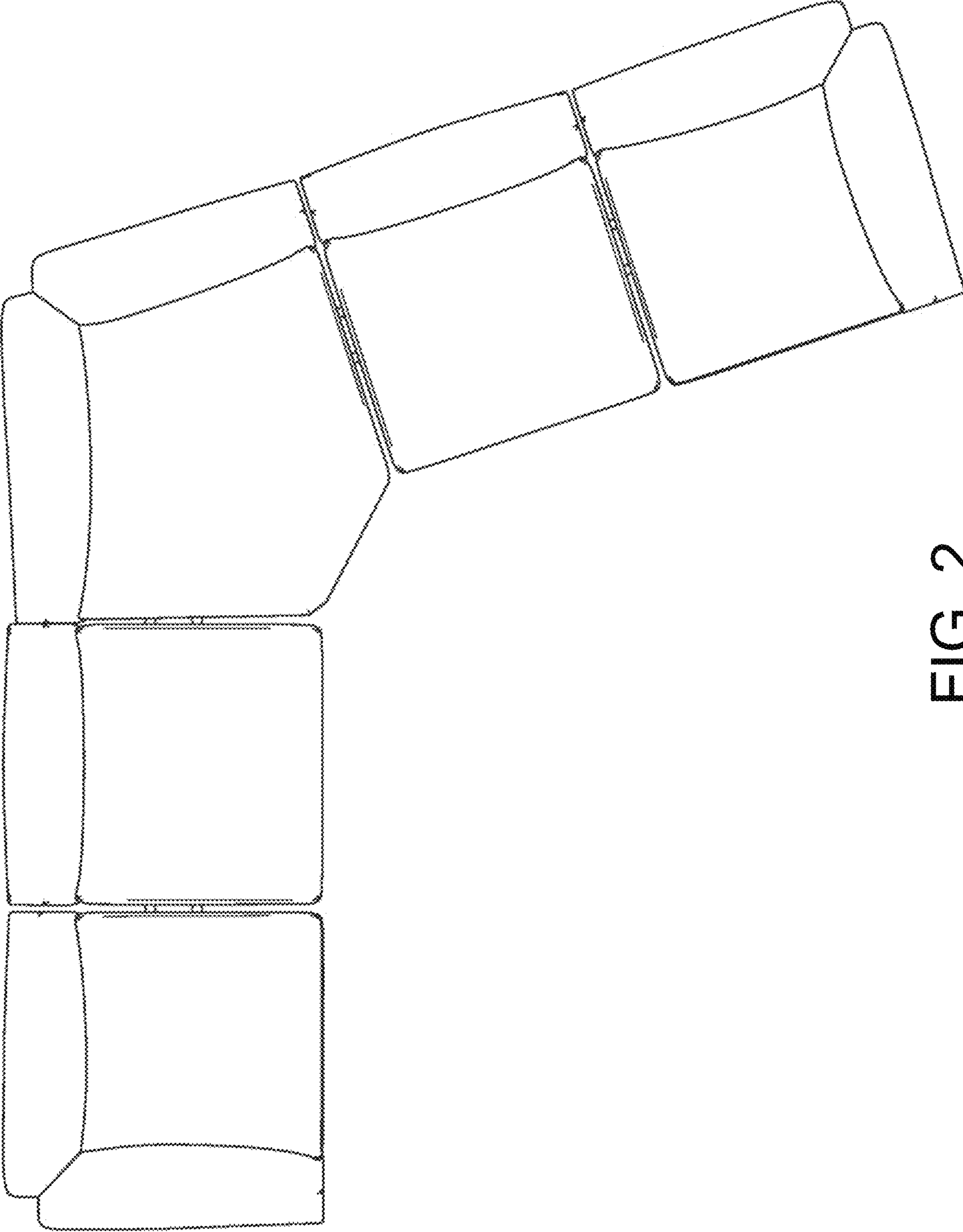


FIG. 2

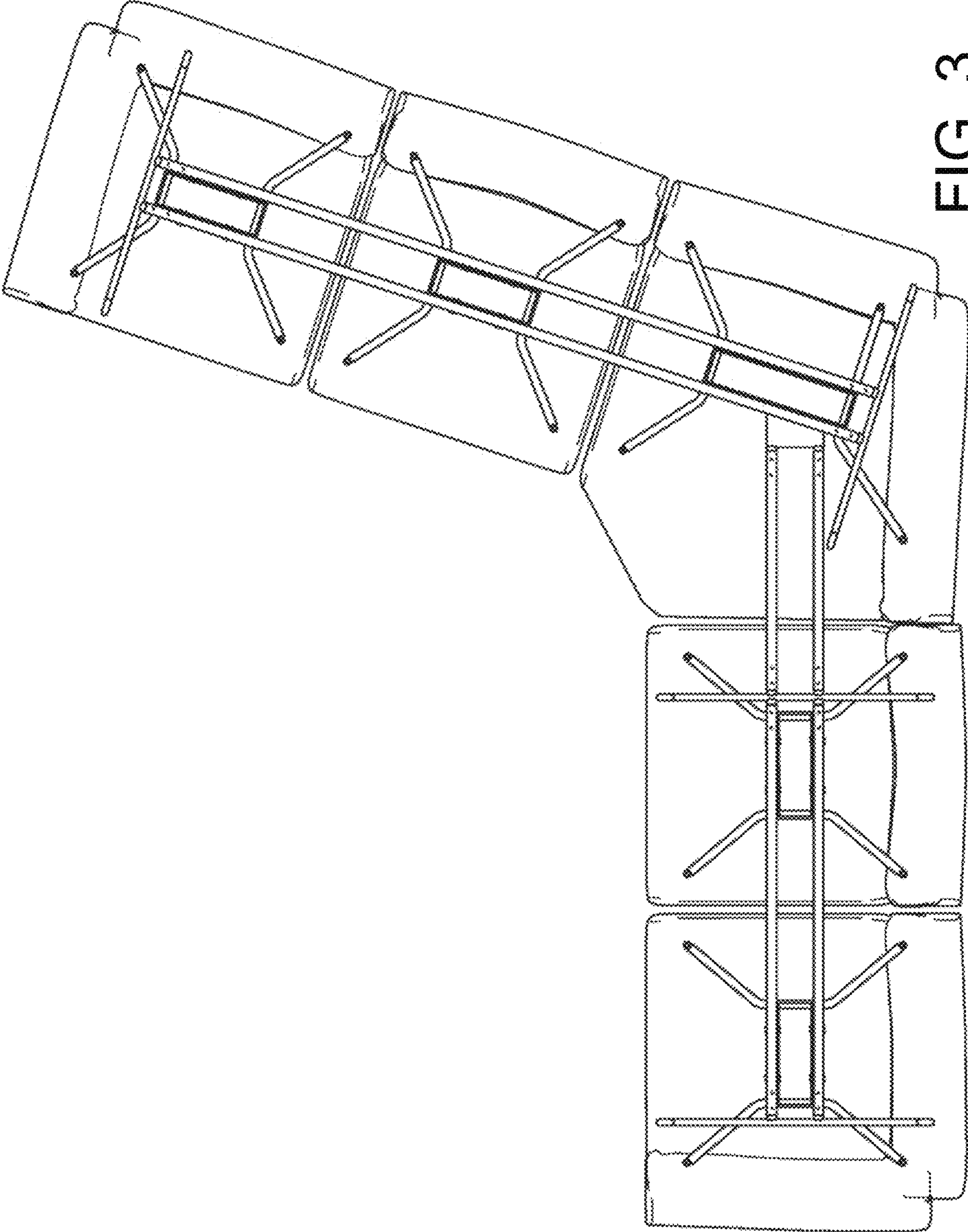


FIG. 3

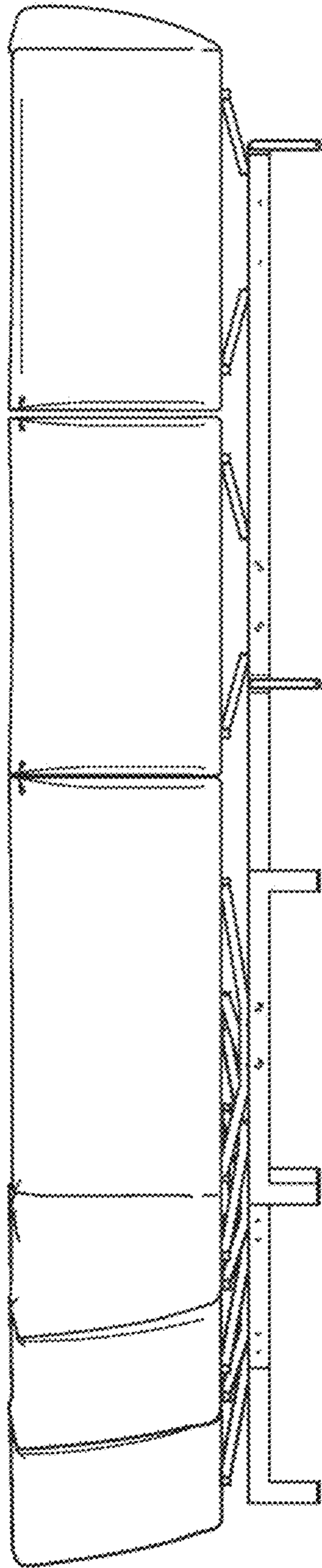


FIG. 4

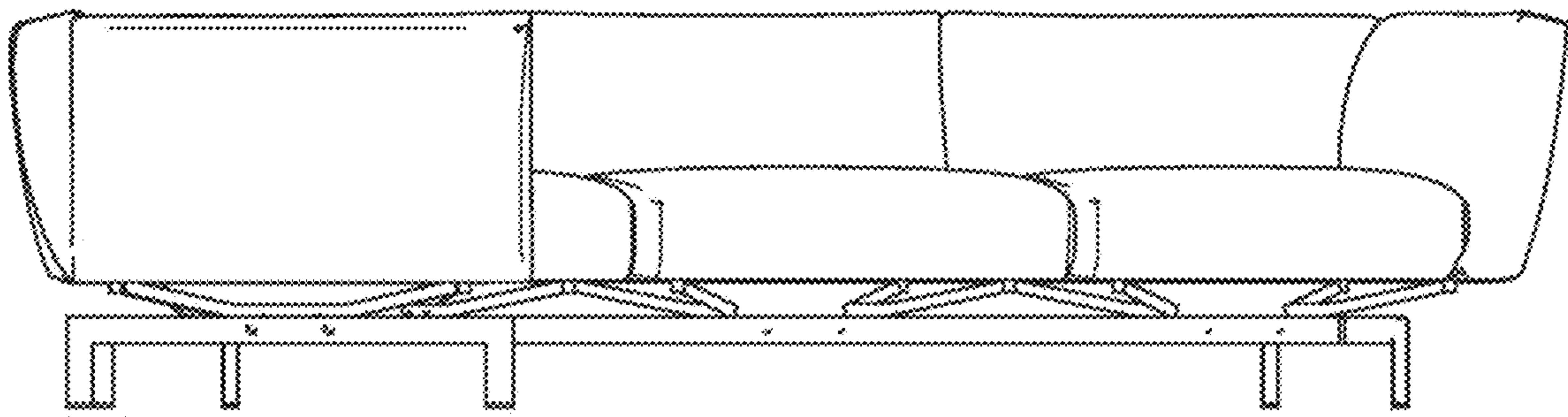


FIG. 5

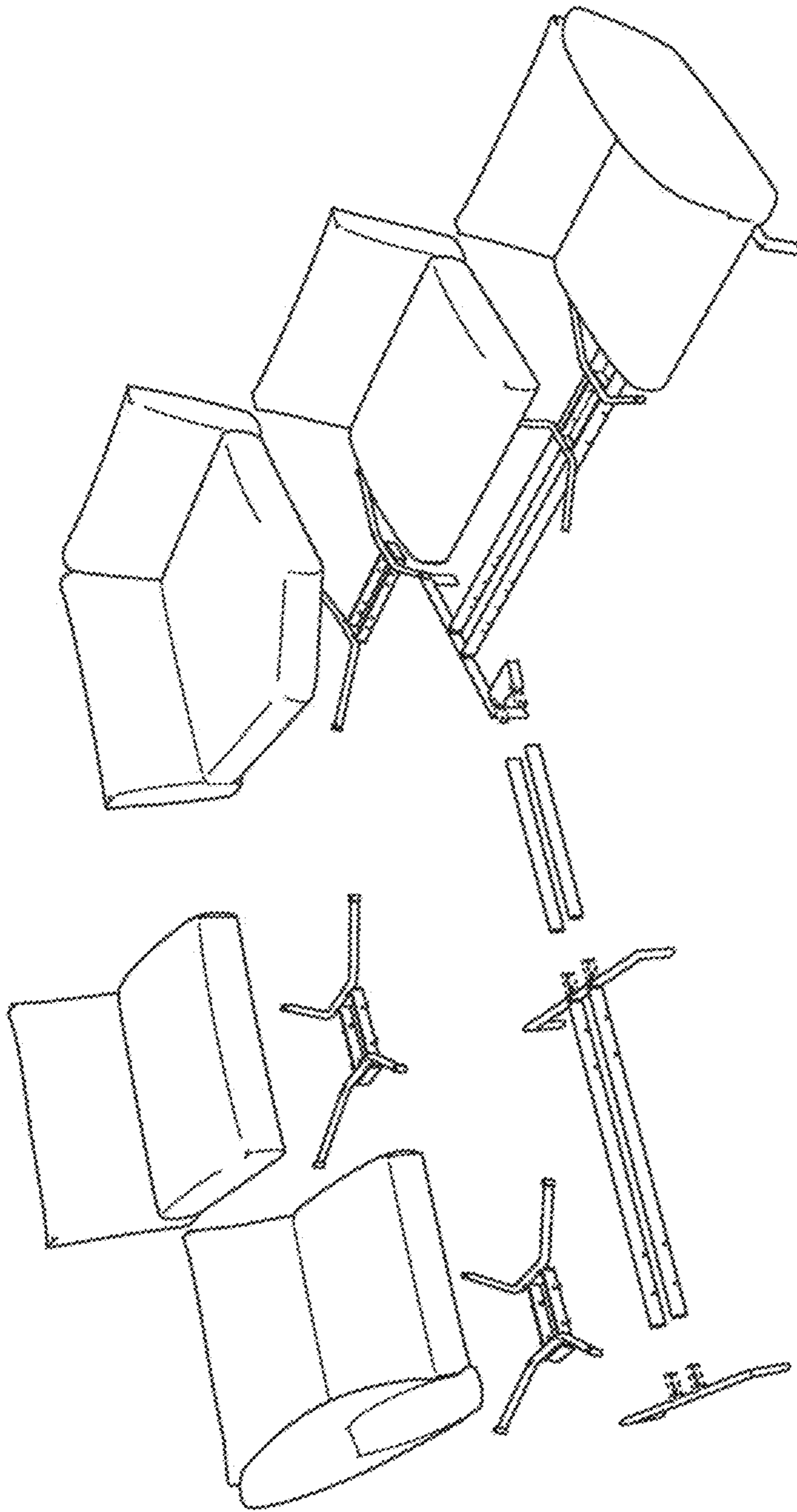


FIG. 6