



US00D981124S

(12) **United States Design Patent**  
**Yang**

(10) **Patent No.:** **US D981,124 S**  
(45) **Date of Patent:** **\*\* Mar. 21, 2023**

(54) **GAMING CHAIR**

(71) Applicant: **Tao Yang**, Zhejiang (CN)

(72) Inventor: **Tao Yang**, Zhejiang (CN)

(\*\*) Term: **15 Years**

(21) Appl. No.: **29/735,426**

(22) Filed: **May 21, 2020**

(51) **LOC (14) Cl.** ..... **06-01**

(52) **U.S. Cl.**  
USPC ..... **D6/366**

(58) **Field of Classification Search**  
USPC ..... D6/333, 334, 344, 348, 349, 350, 355,  
D6/360, 361, 364, 366, 367, 369, 370,  
D6/374, 375, 379, 380, 381, 716, 716.4  
CPC ..... A47C 1/02; A47C 1/022; A47C 1/024;  
A47C 1/032; A47C 1/03255; A47C 1/11;  
A47C 1/143; A47C 3/18; A47C 3/02;  
A47C 3/025; A47C 3/026; A47C 7/002;  
A47C 7/004; A47C 7/18; A47C 7/185;  
A47C 7/36; A47C 7/46; A47C 9/007;  
A47C 11/00; A47C 11/005  
See application file for complete search history.

(56) **References Cited**

**U.S. PATENT DOCUMENTS**

D748,926 S \* 2/2016 Henstridge ..... D6/356  
D811,145 S \* 2/2018 Li ..... D6/366  
D859,865 S \* 9/2019 Berlinches ..... D6/366  
D879,524 S \* 3/2020 Huang ..... D6/366

D880,183 S \* 4/2020 Li ..... D6/366  
D893,910 S \* 8/2020 Ko ..... D6/366  
D897,709 S \* 10/2020 Li ..... D6/366  
D905,992 S \* 12/2020 Li ..... D6/366  
D911,055 S \* 2/2021 Wang ..... D6/366  
D923,350 S \* 6/2021 Chen ..... D6/366  
D933,983 S \* 10/2021 Li ..... D6/366  
D937,023 S \* 11/2021 Wang ..... D6/716

**FOREIGN PATENT DOCUMENTS**

WO WO-2021191064 A1 \* 9/2021

\* cited by examiner

*Primary Examiner* — R. Johnson

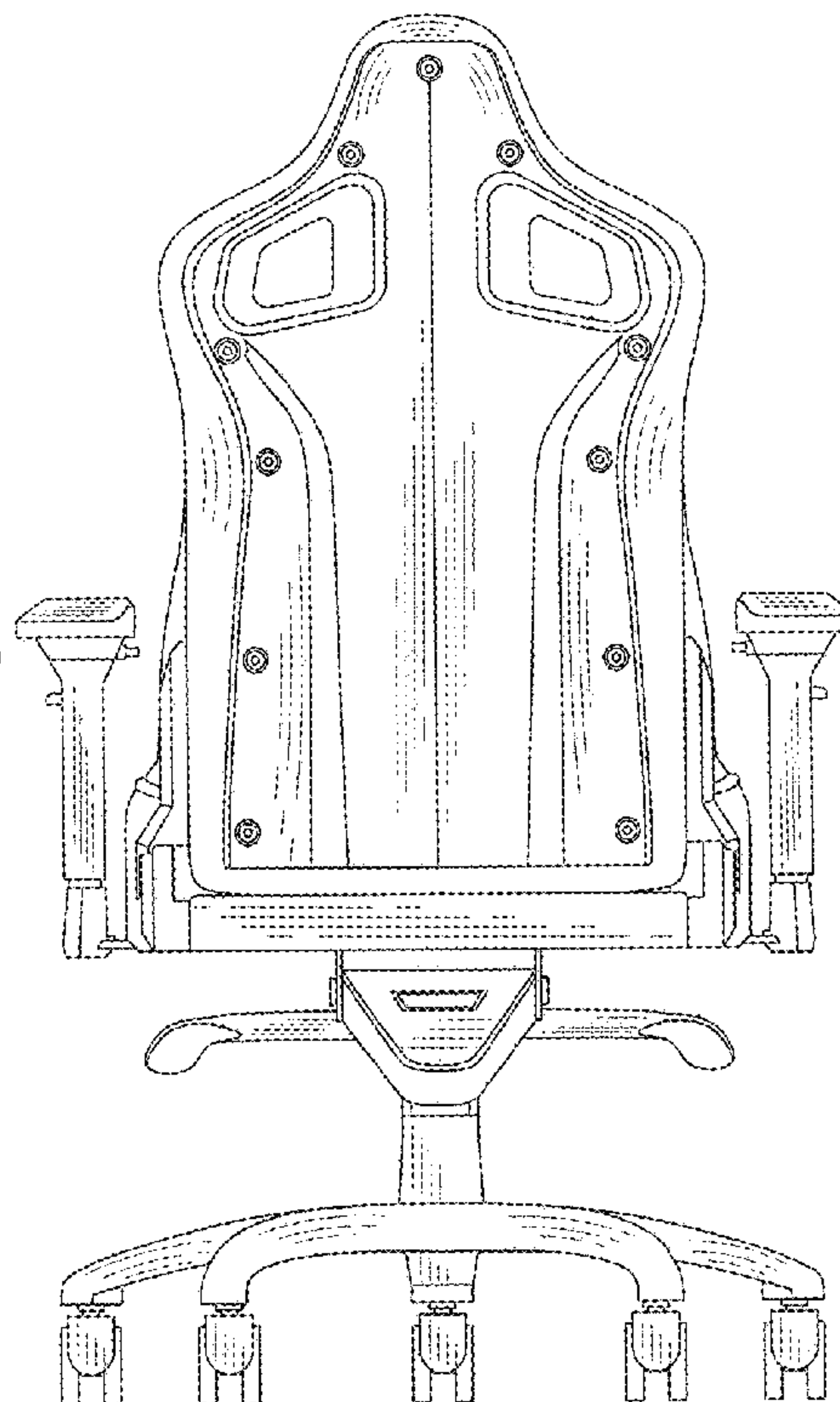
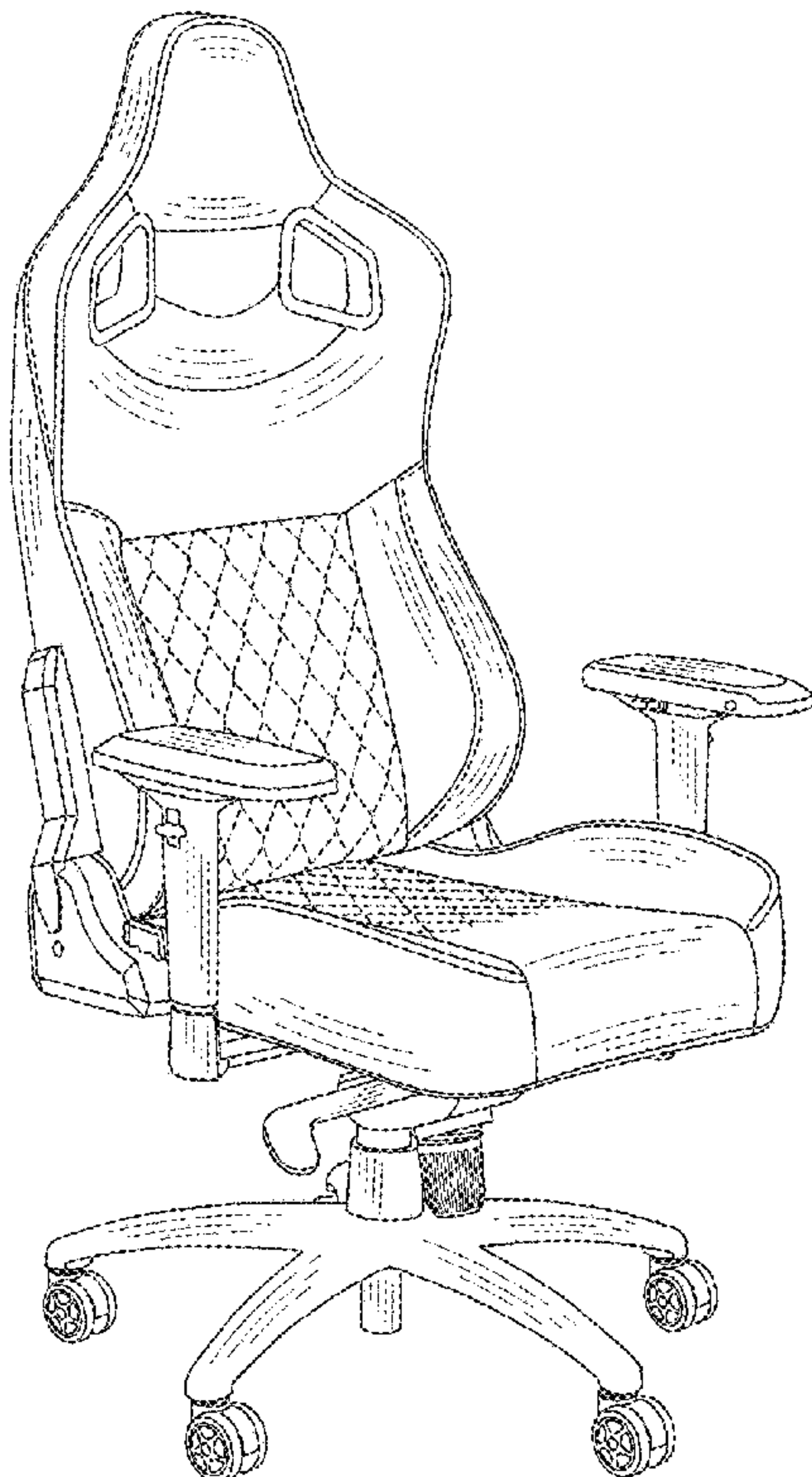
(57) **CLAIM**

The ornamental design for a gaming chair, as shown and described.

**DESCRIPTION**

FIG. 1 is a perspective view of a gaming chair showing my new design;  
FIG. 2 is a front elevational view thereof;  
FIG. 3 is a rear elevational view thereof;  
FIG. 4 is a left side elevational view thereof;  
FIG. 5 is a right side elevational view thereof;  
FIG. 6 is a top plan view thereof;  
FIG. 7 is a bottom plan view thereof; and,  
FIG. 8 is a rear, right side perspective view thereof.  
The broken lines in the drawings depict portions of the gaming chair that form no part of the claimed design.

**1 Claim, 8 Drawing Sheets**



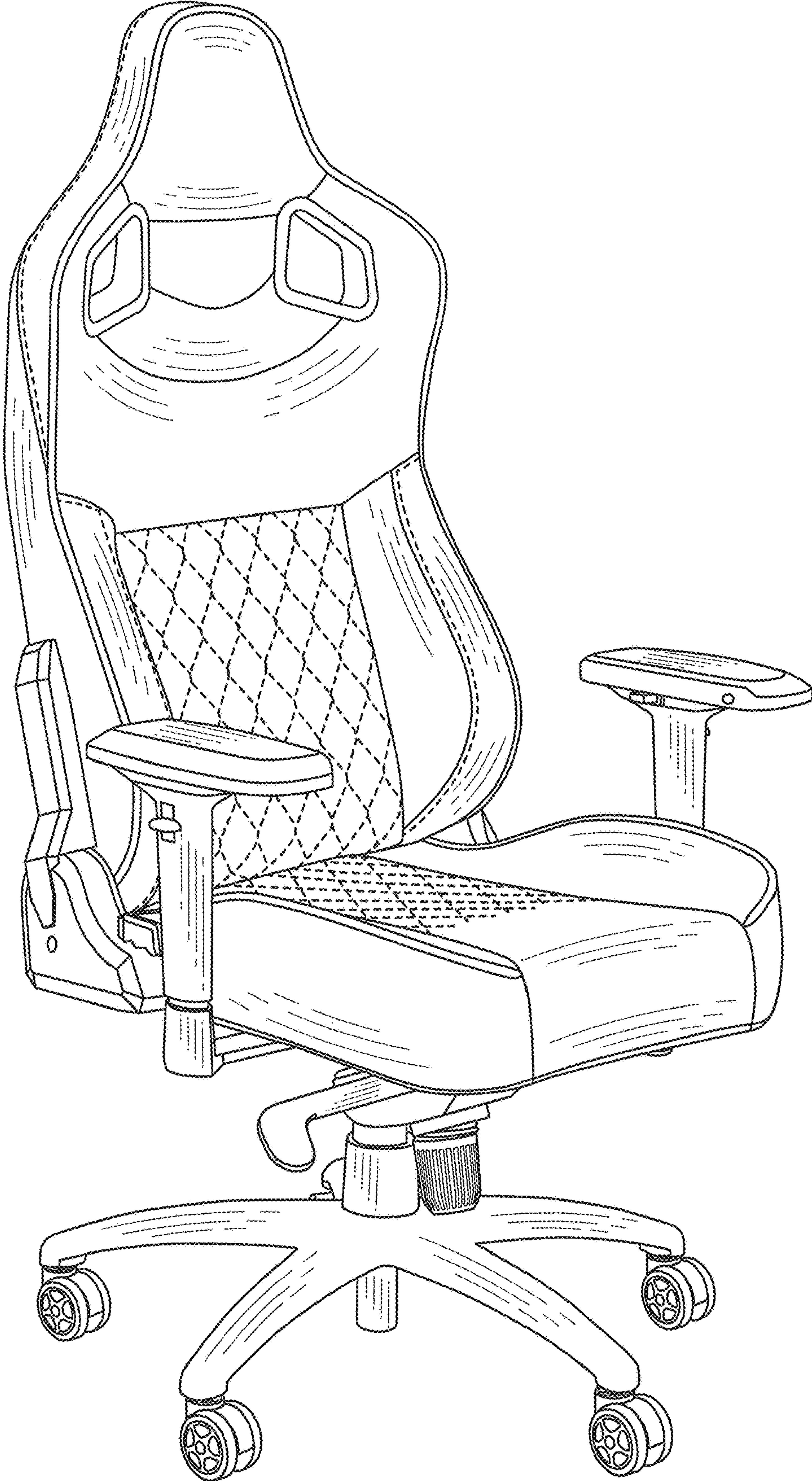


FIG. 1



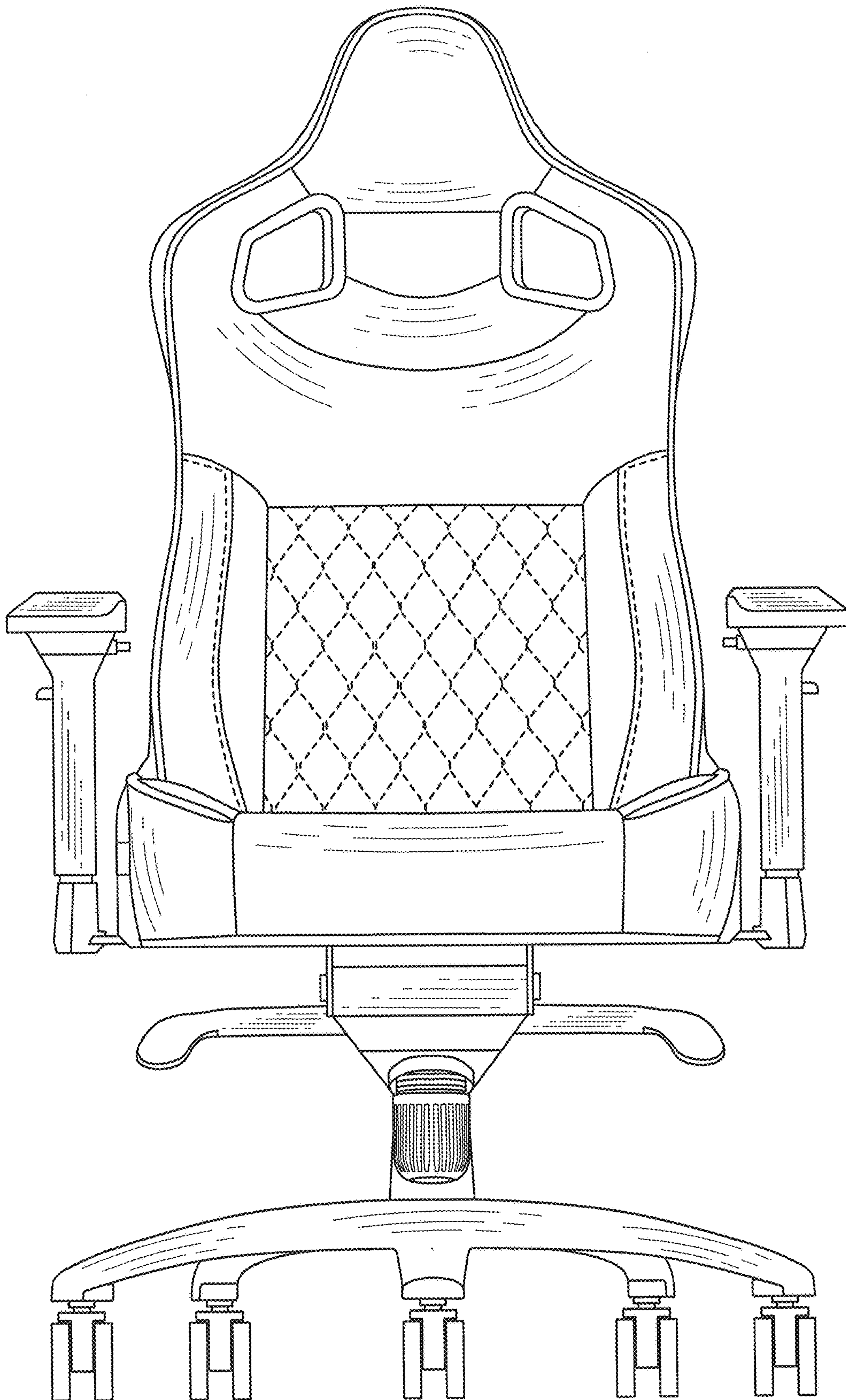


FIG. 2

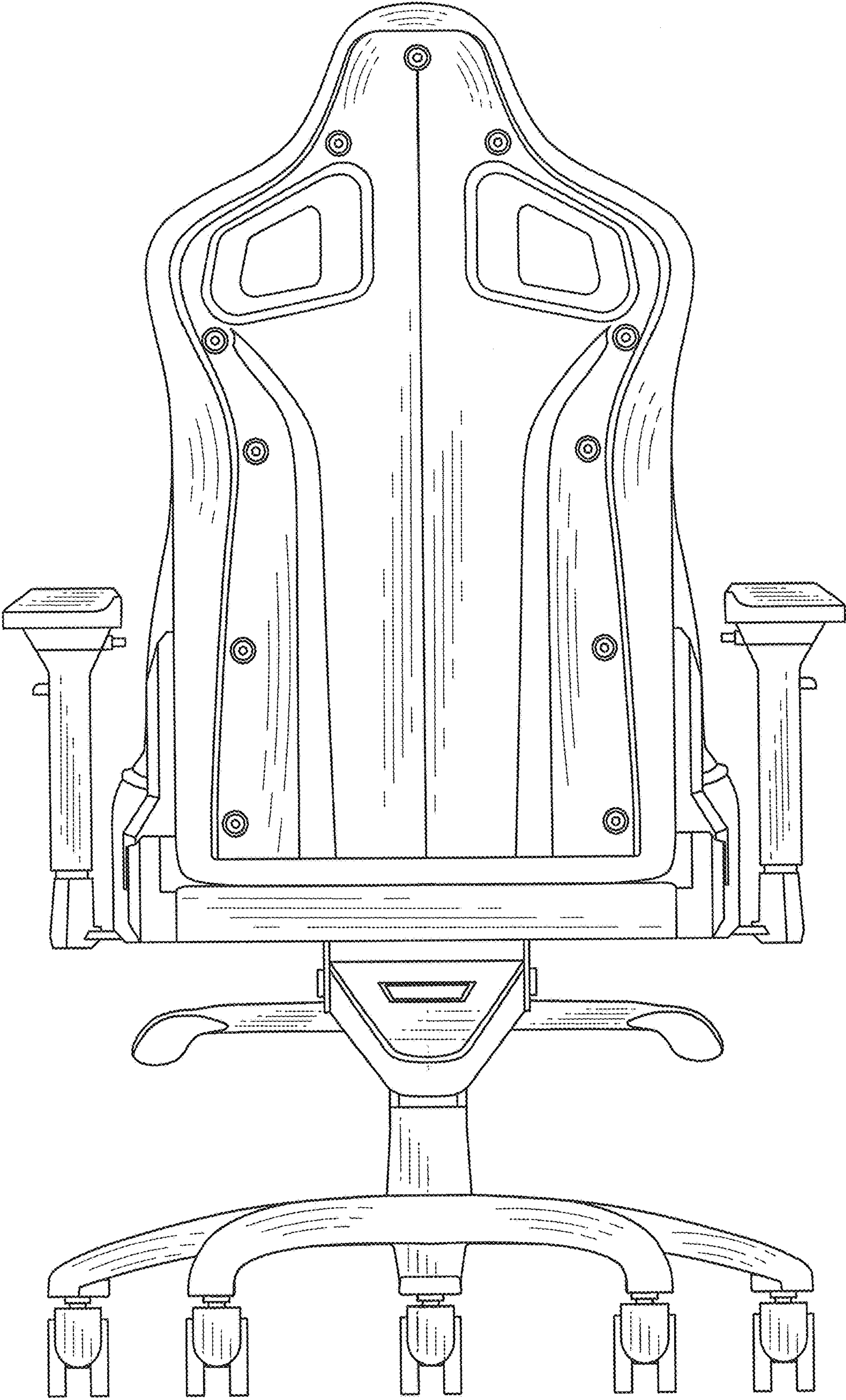


FIG. 3



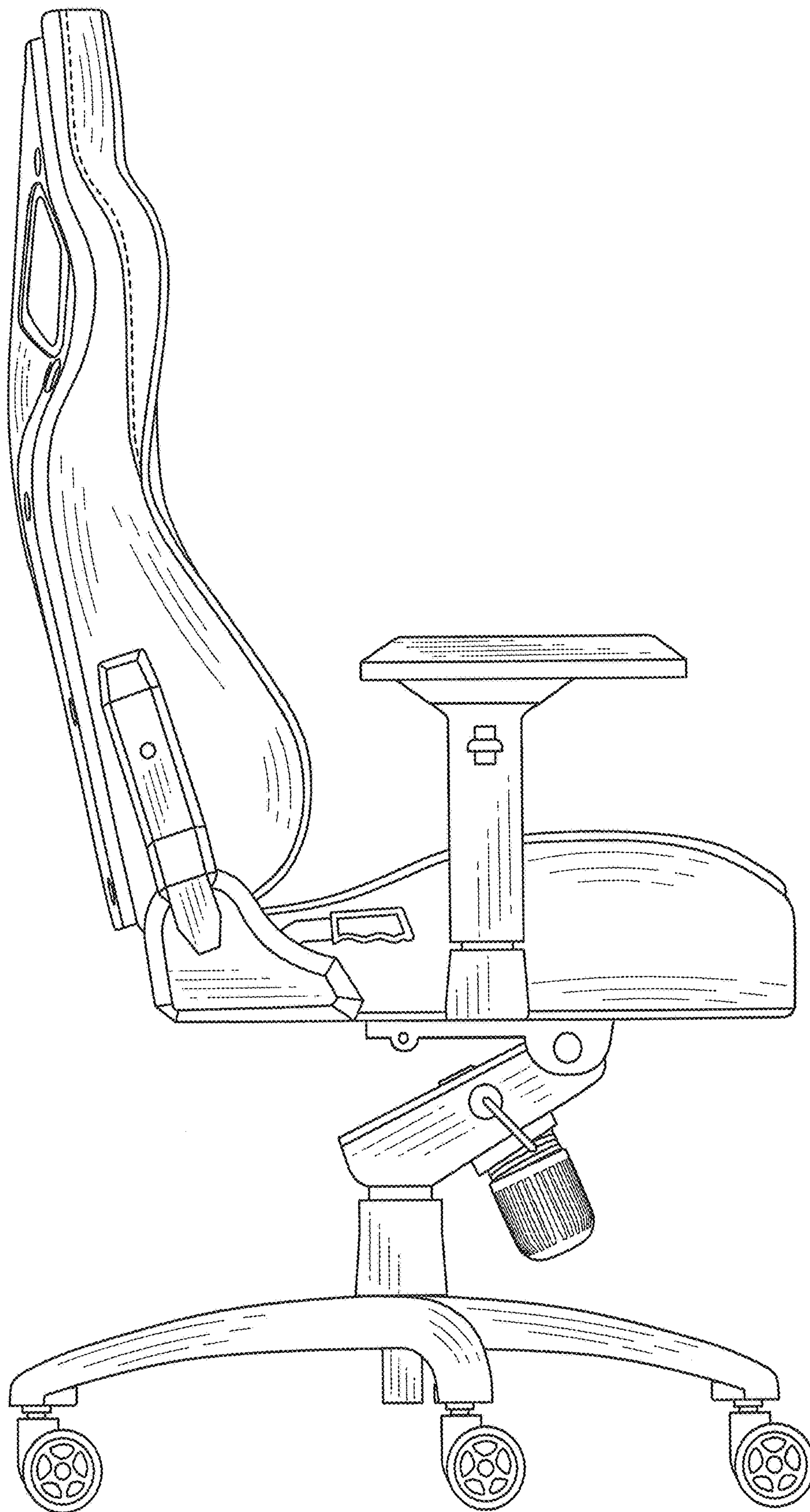


FIG. 4

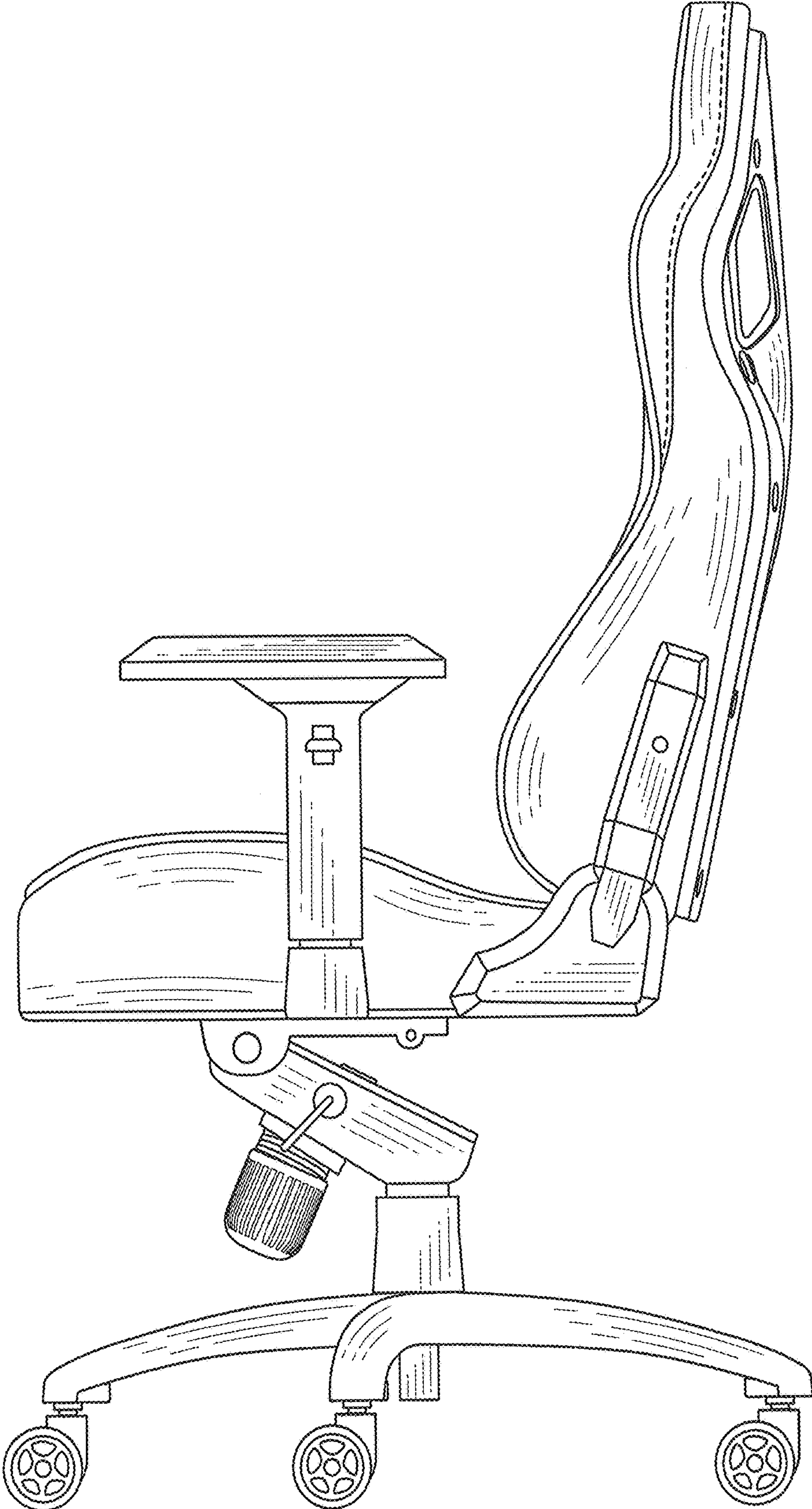


FIG. 5

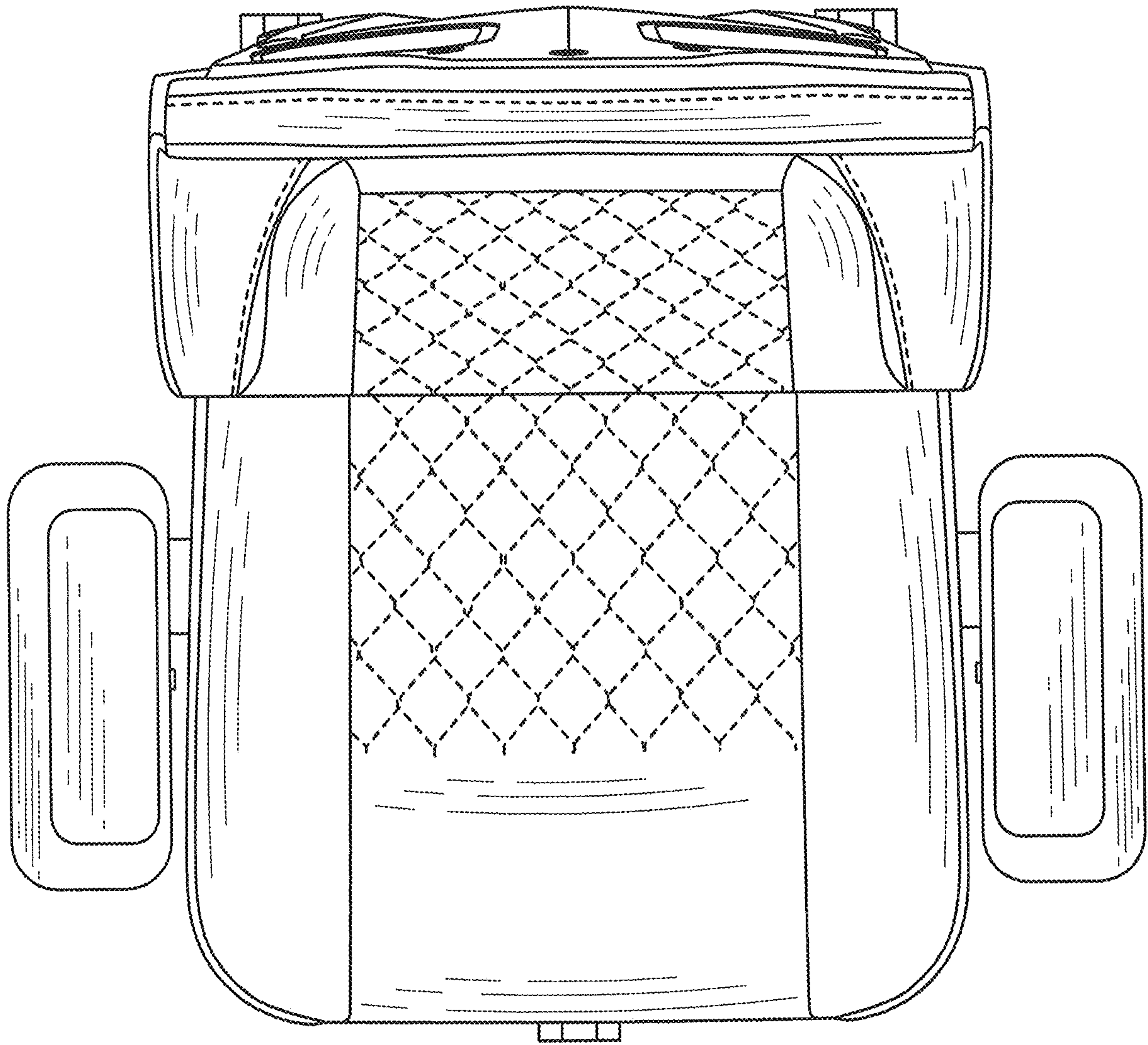


FIG. 6



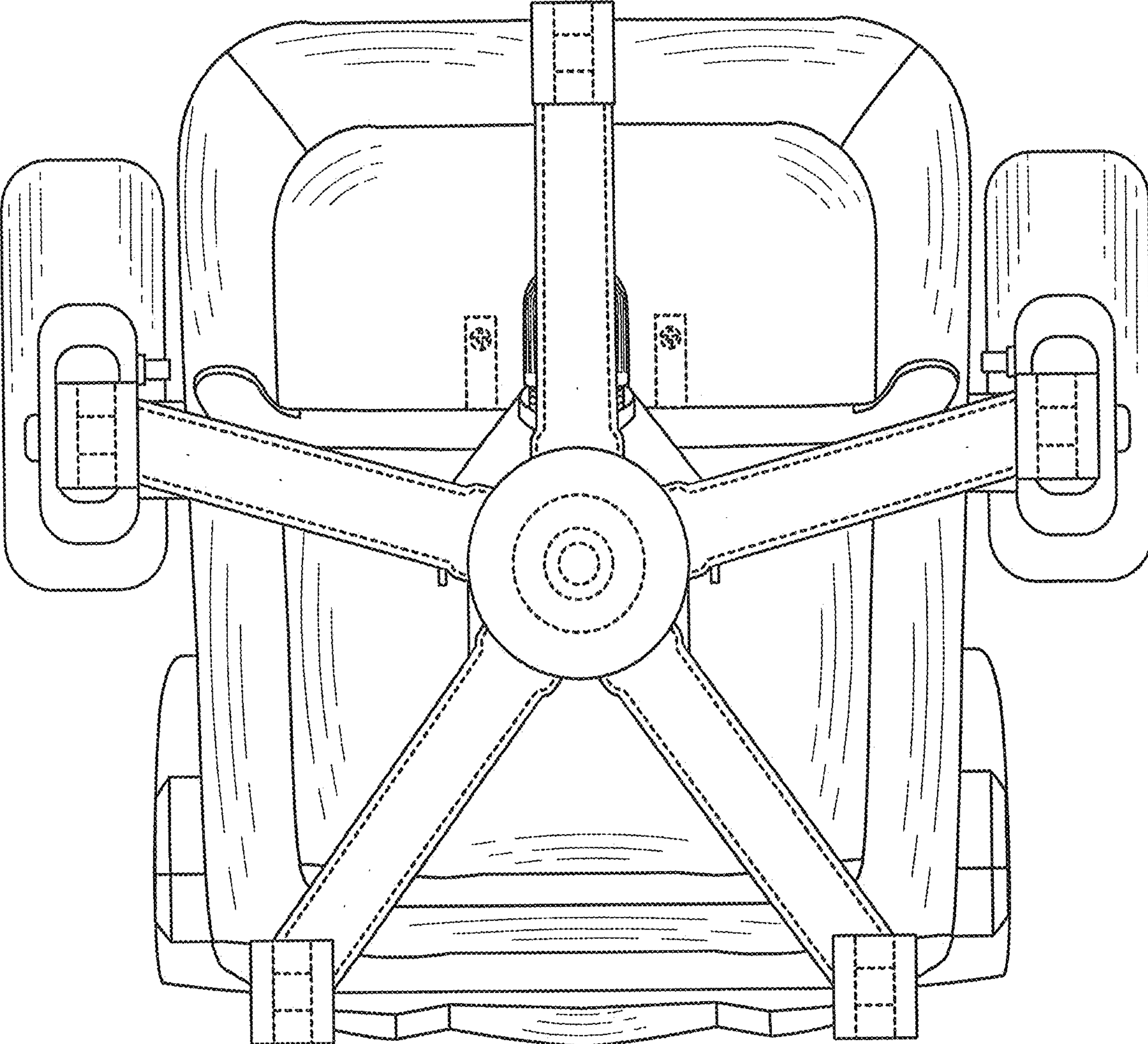


FIG. 7



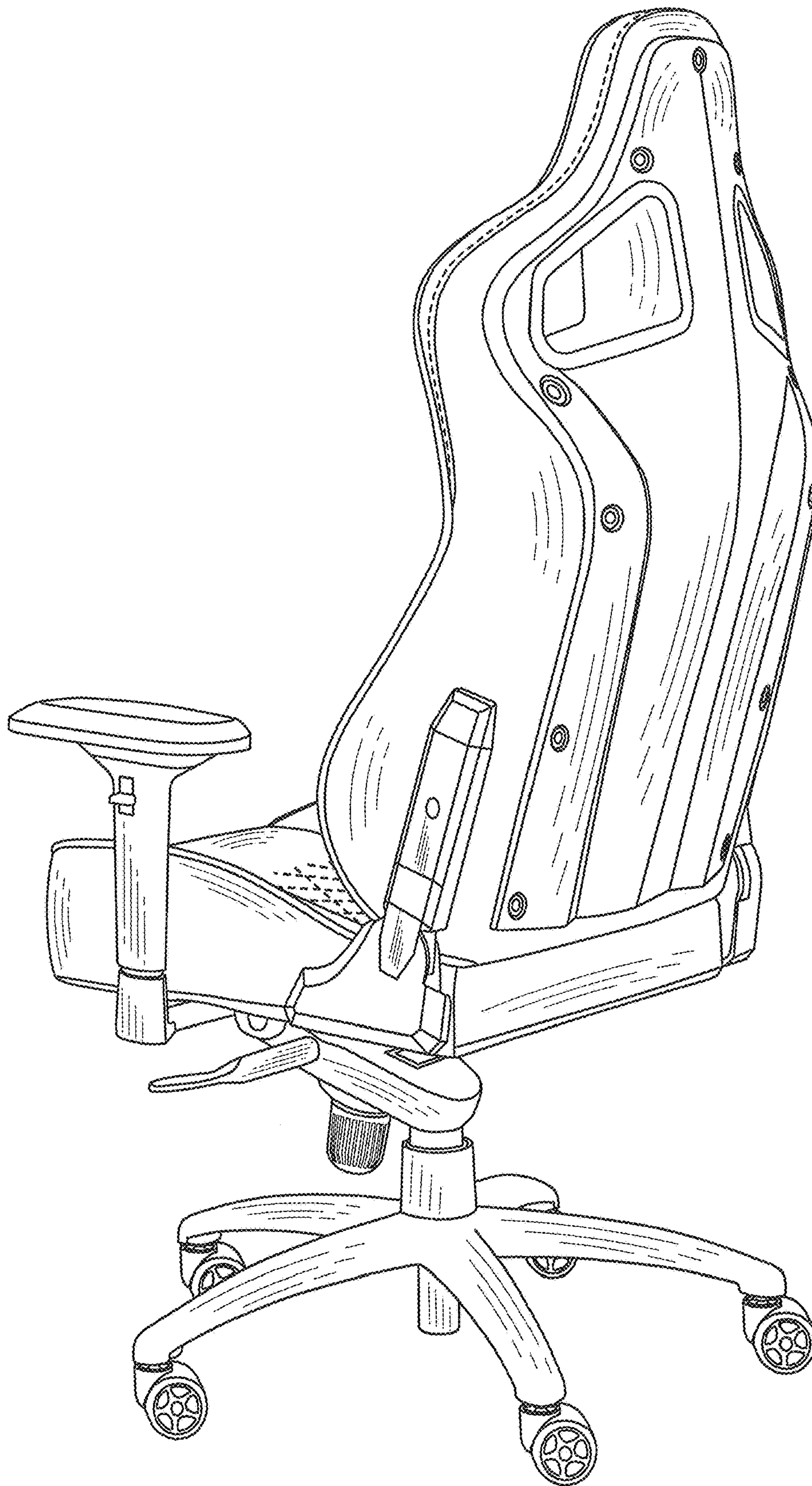


FIG. 8