



US00D981123S

(12) **United States Design Patent**
Zhuang

(10) **Patent No.:** **US D981,123 S**

(45) **Date of Patent:** **** Mar. 21, 2023**

(54) **CHAIR**

(71) Applicant: **Penghang Zhuang**, Ningbo (CN)

(72) Inventor: **Penghang Zhuang**, Ningbo (CN)

(**) Term: **15 Years**

(21) Appl. No.: **29/823,628**

(22) Filed: **Jan. 19, 2022**

(51) **LOC (14) Cl.** **06-01**

(52) **U.S. Cl.**
USPC **D6/362**

(58) **Field of Classification Search**
USPC D6/356, 362, 366, 367, 374, 375, 379,
D6/380, 716.1
CPC A47C 1/02; A47C 1/022; A47C 1/024;
A47C 1/032; A47C 1/03255; A47C 3/18;
A47C 3/20; A47C 3/025; A47C 3/026;
A47C 7/18; A47C 7/24; A47C 7/36;
A47C 7/46; A47C 9/02; A47C 5/04;
A47C 5/06; A47C 5/08; A47C 5/10
See application file for complete search history.

(56) **References Cited**

U.S. PATENT DOCUMENTS

| | | | | | |
|-----------|-----|---------|------------|-------|-------------------------|
| 3,151,909 | A * | 10/1964 | Gerdetz | | A47C 31/11 297/188.2 |
| D252,658 | S * | 8/1979 | Kressin | | D6/368 |
| 5,433,502 | A * | 7/1995 | Condorodis | | A47C 4/03 297/45 |
| D468,548 | S * | 1/2003 | Head, Jr. | | D6/368 |
| D472,064 | S | 3/2003 | Haney | | |
| D473,059 | S | 4/2003 | Haney | | |
| D646,510 | S | 10/2011 | Gasser | | |
| D677,475 | S | 3/2013 | Bellini | | |
| D682,576 | S | 5/2013 | Digirolamo | | |
| D723,826 | S | 3/2015 | Kaloustian | | |
| D731,802 | S | 6/2015 | McKenna | | |
| D771,400 | S * | 11/2016 | DoVale | | D6/368 |
| D784,036 | S | 4/2017 | Ruiter | | |

| | | | | | |
|----------|-----|---------|------------|-------|--------|
| D802,317 | S * | 11/2017 | Head, Jr. | | D6/368 |
| D814,820 | S * | 4/2018 | Meoli, Jr. | | D6/368 |
| D817,015 | S | 5/2018 | Jeffery | | |
| D849,437 | S * | 5/2019 | Yang | | D6/368 |
| D878,781 | S * | 3/2020 | Monroe | | D6/356 |
| D939,235 | S | 12/2021 | James | | |

(Continued)

OTHER PUBLICATIONS

Walmart. <https://www.walmart.com/ip/Eastpoint-Sports-Adjustable-Backrest-Stadium-Seat-w-Cup-Holder-Red-2-Pack/605099671>.
“Eastpoint Sports Adjustable Backrest Stadium Seat w/ Cup Holder”.
Date Unknown: Reviews from 2019 (Year: 2019).*

(Continued)

Primary Examiner — R. Johnson

(74) *Attorney, Agent, or Firm* — Rumit Ranjit Kanakia

(57) **CLAIM**

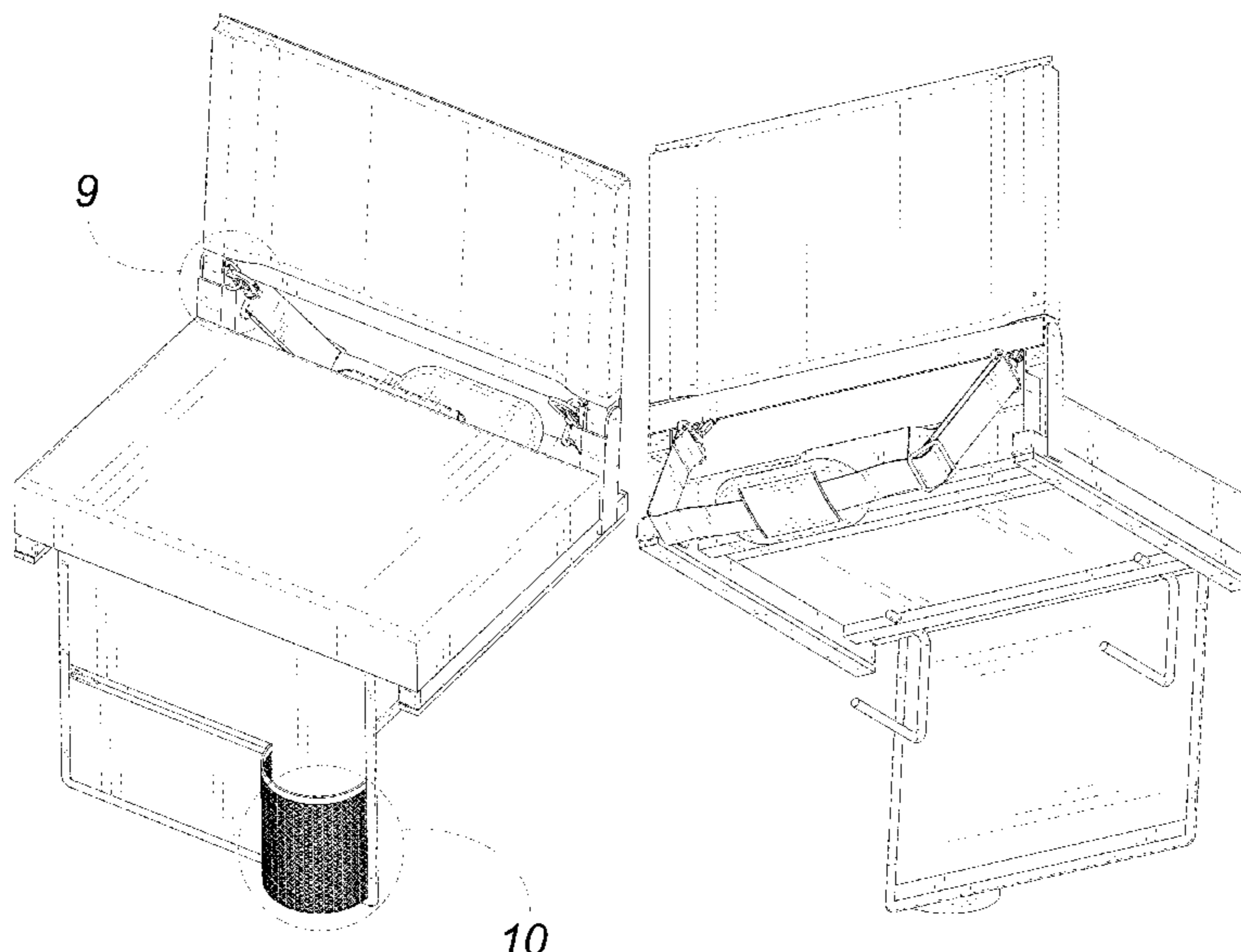
The ornamental design for a chair, as shown and described.

DESCRIPTION

FIG. 1 is a perspective view of a chair showing my new design;
FIG. 2 is another perspective view thereof;
FIG. 3 is a front elevational view thereof;
FIG. 4 is a rear elevational view thereof;
FIG. 5 is a left side elevational view thereof;
FIG. 6 is a right side elevational view thereof;
FIG. 7 is a top plan view thereof;
FIG. 8 is a bottom plan view thereof;
FIG. 9 is a partial, enlarged view of the portion taken at line-9 in FIG. 1; and,
FIG. 10 is a partial, enlarged view of the portion taken at line-10 in FIG. 1.

The broken lines in the figures are for the purpose of illustrating portions of the chair, which form no part of the claimed design.

1 Claim, 10 Drawing Sheets



(56)

References Cited

U.S. PATENT DOCUMENTS

11,241,095 B1 * 2/2022 Sun A47C 4/06
D956,440 S * 7/2022 Chen D6/368
D957,838 S * 7/2022 Chen D6/362
2019/0231074 A1 * 8/2019 Grace A45F 3/14

OTHER PUBLICATIONS

Amazon.com. https://www.amazon.com/OSPORTIS-Bleachers-Bleacher-Portable-Shoulder/dp/B082RPS8L1/ref=sr_1_32?keywords=stadium+seat+with+cupholder&qid=1669080488&sr=8-32. "Osportis Stadium Seats for Bleachers". Dec. 2019 (Year: 2019).*

Amazon.com. https://www.amazon.com/REDCAMP-Folding-Stadium-Bleacher-Portable/dp/B09LHH7LN3/ref=sr_1_29?keywords=stadium+seat+with+cupholder&qid=1669080488&sr=8-29. "Redcamp Folding Stadium Seat for Bleacher". Nov. 2021 (Year: 2021).*

* cited by examiner

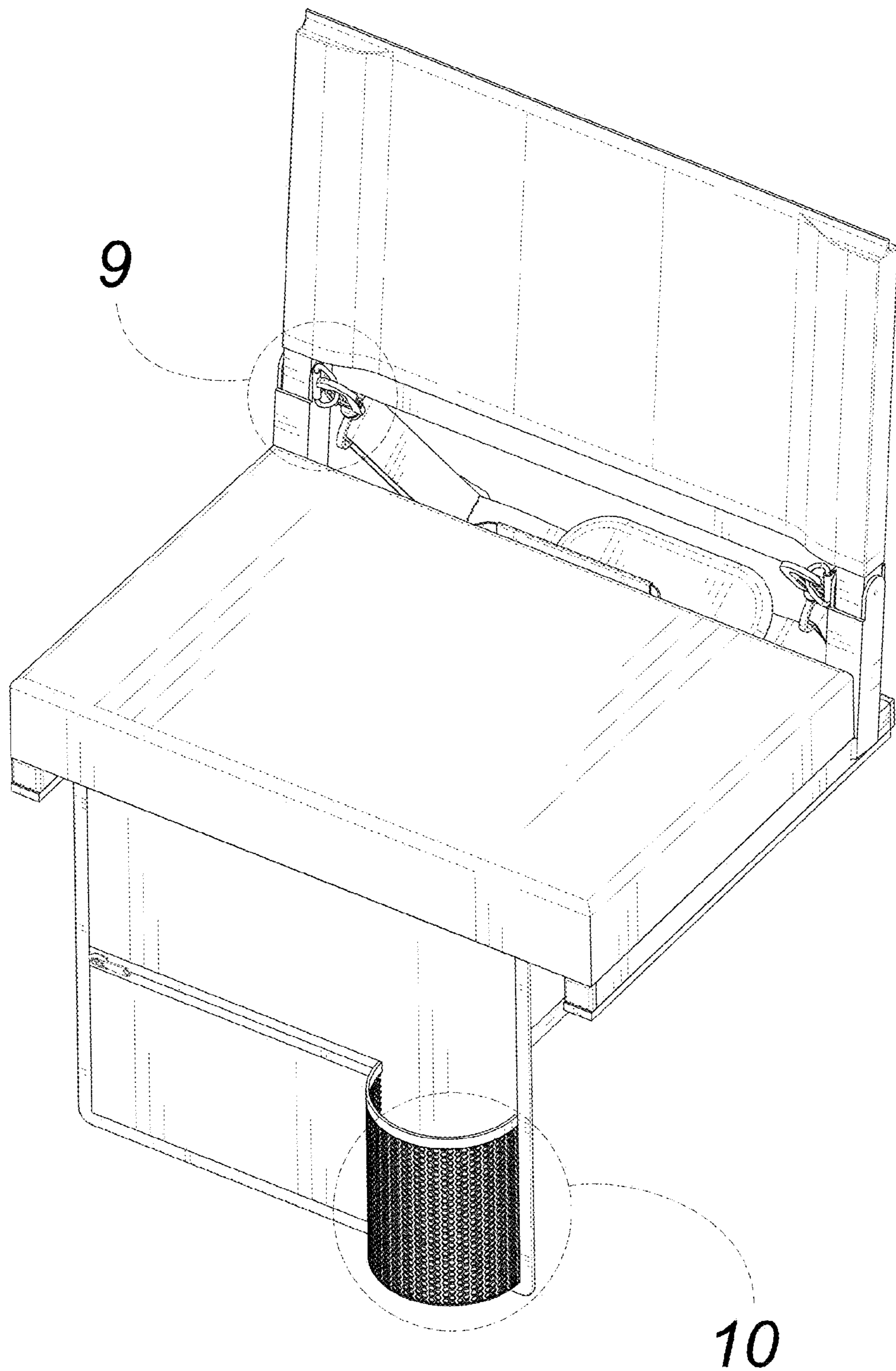


FIG. 1

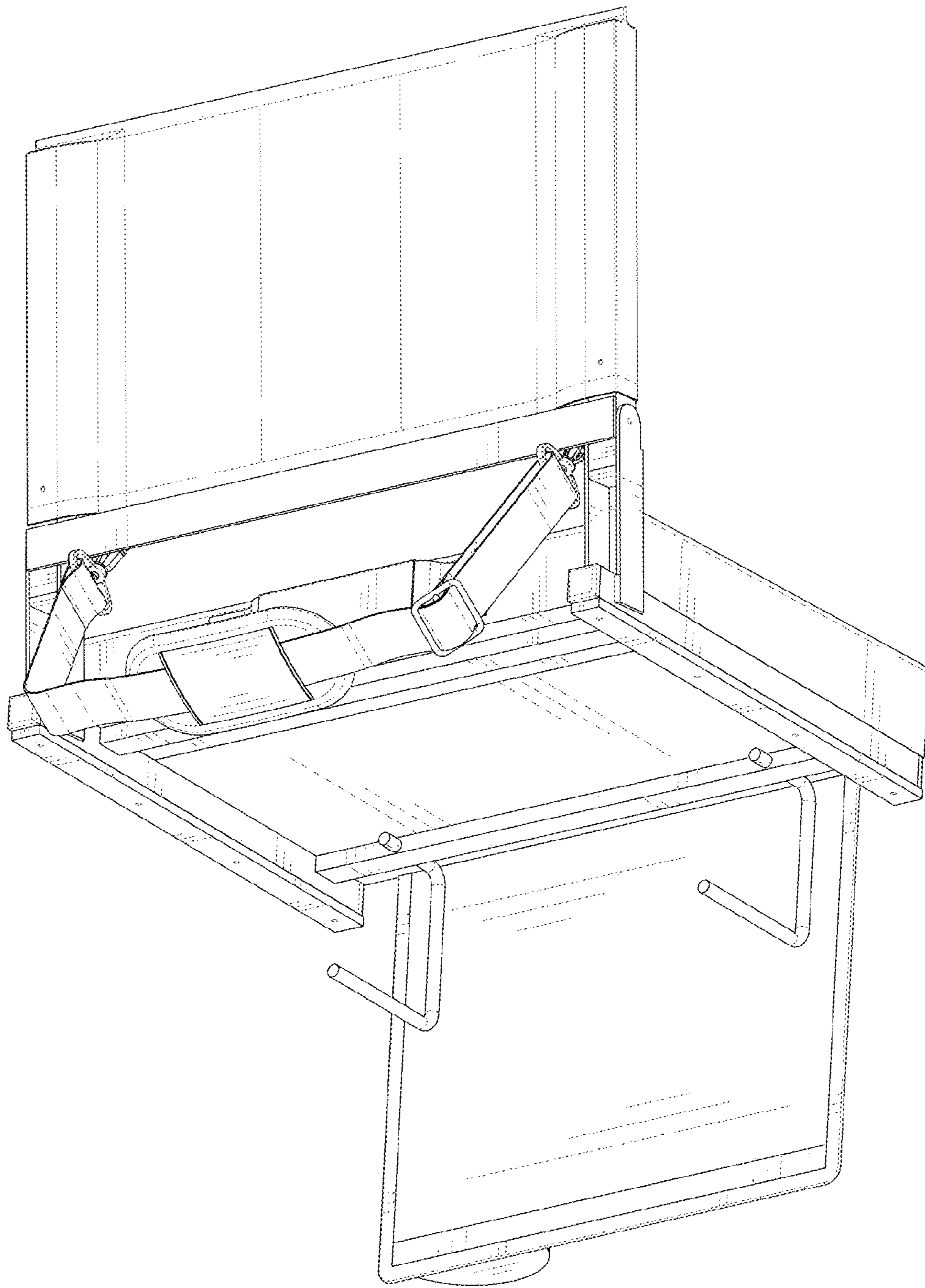


FIG. 2

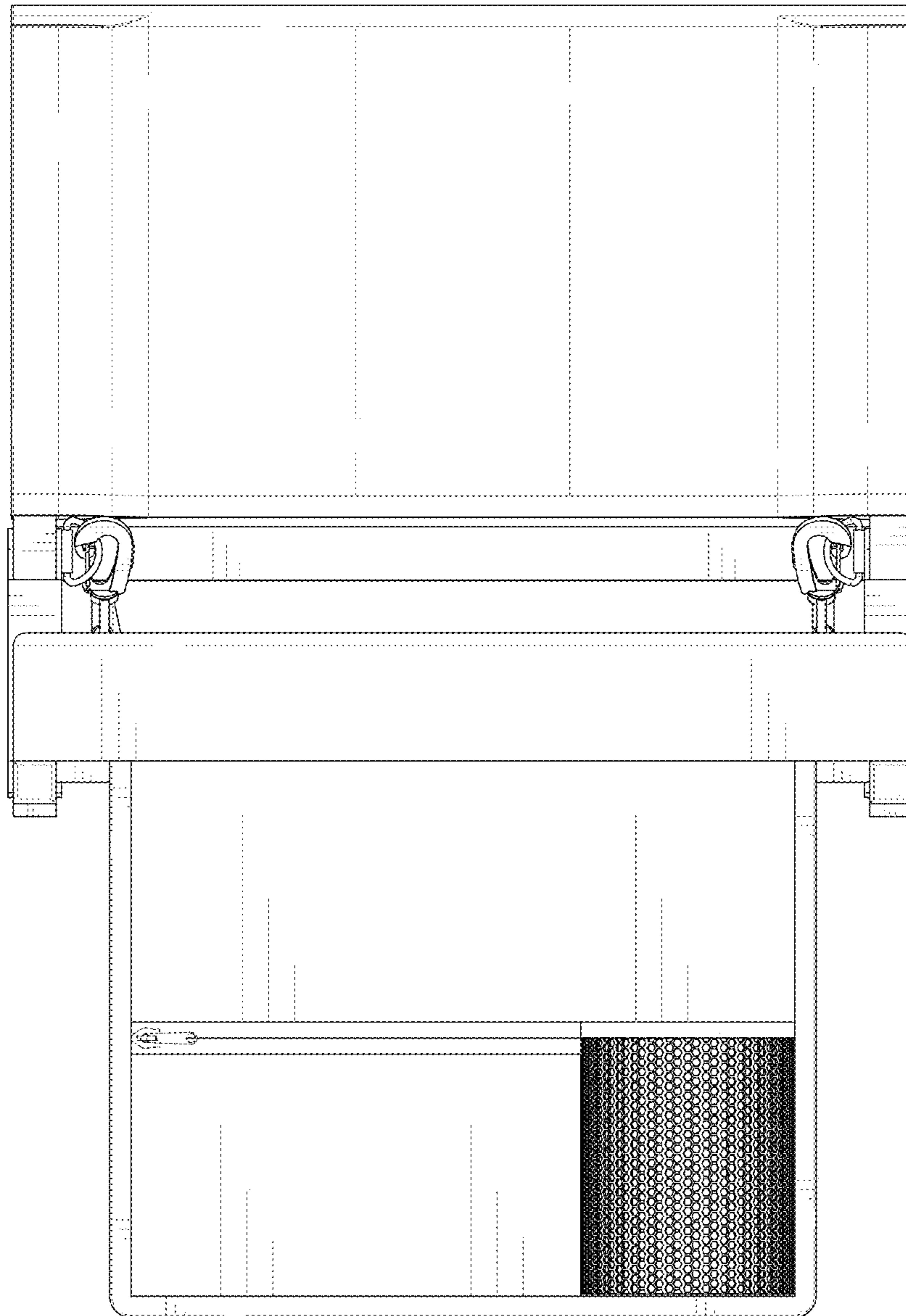


FIG. 3

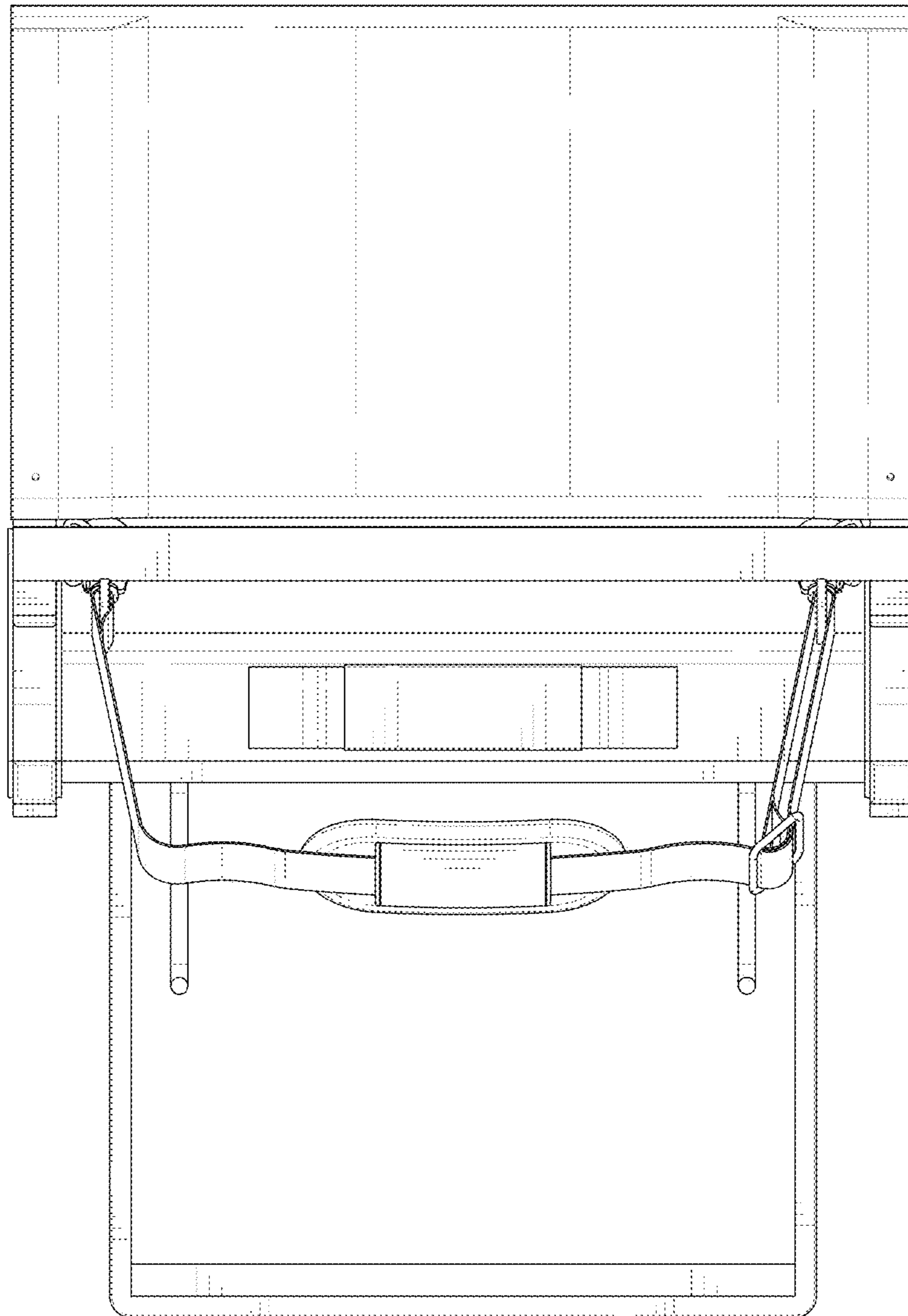


FIG. 4

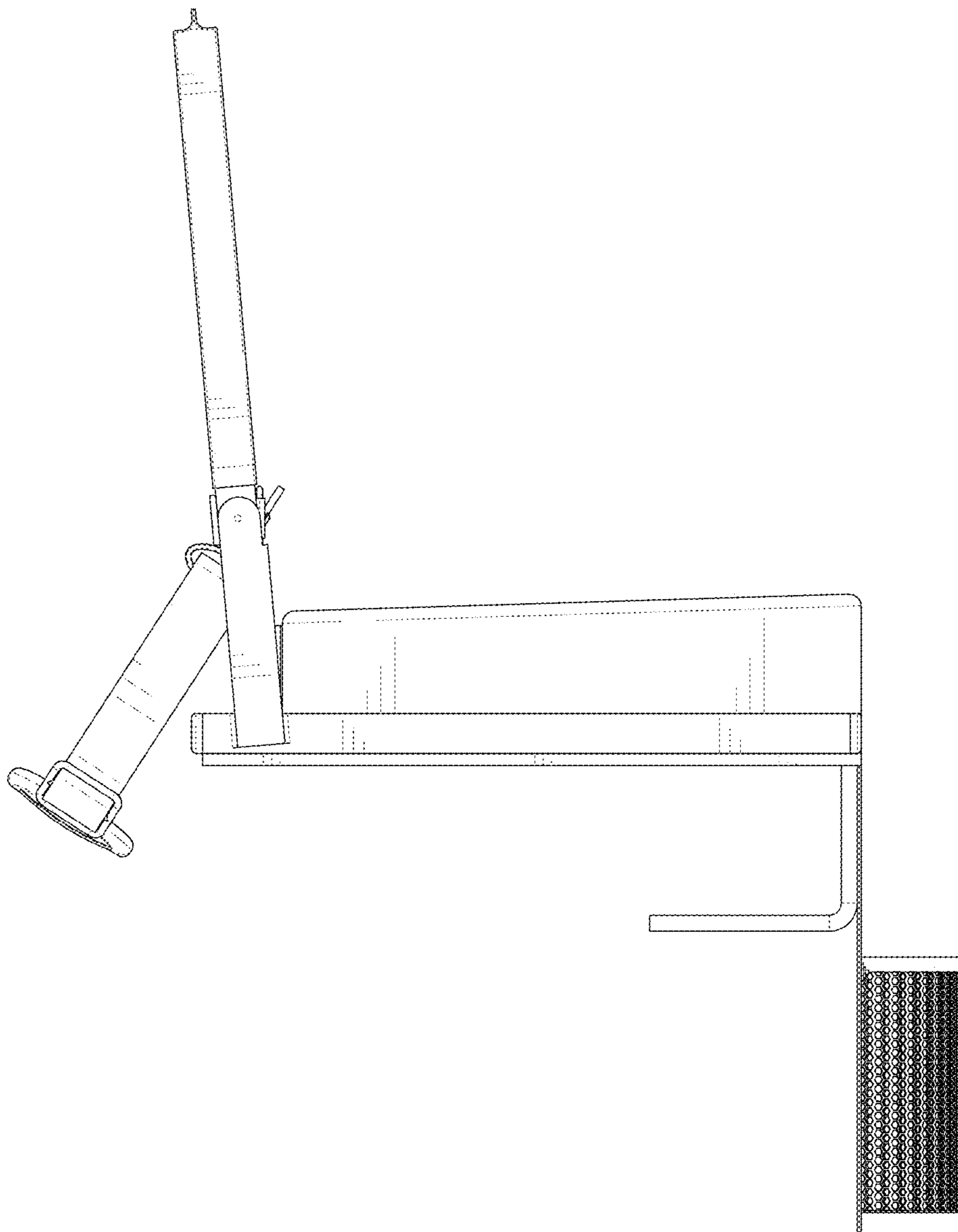


FIG. 5

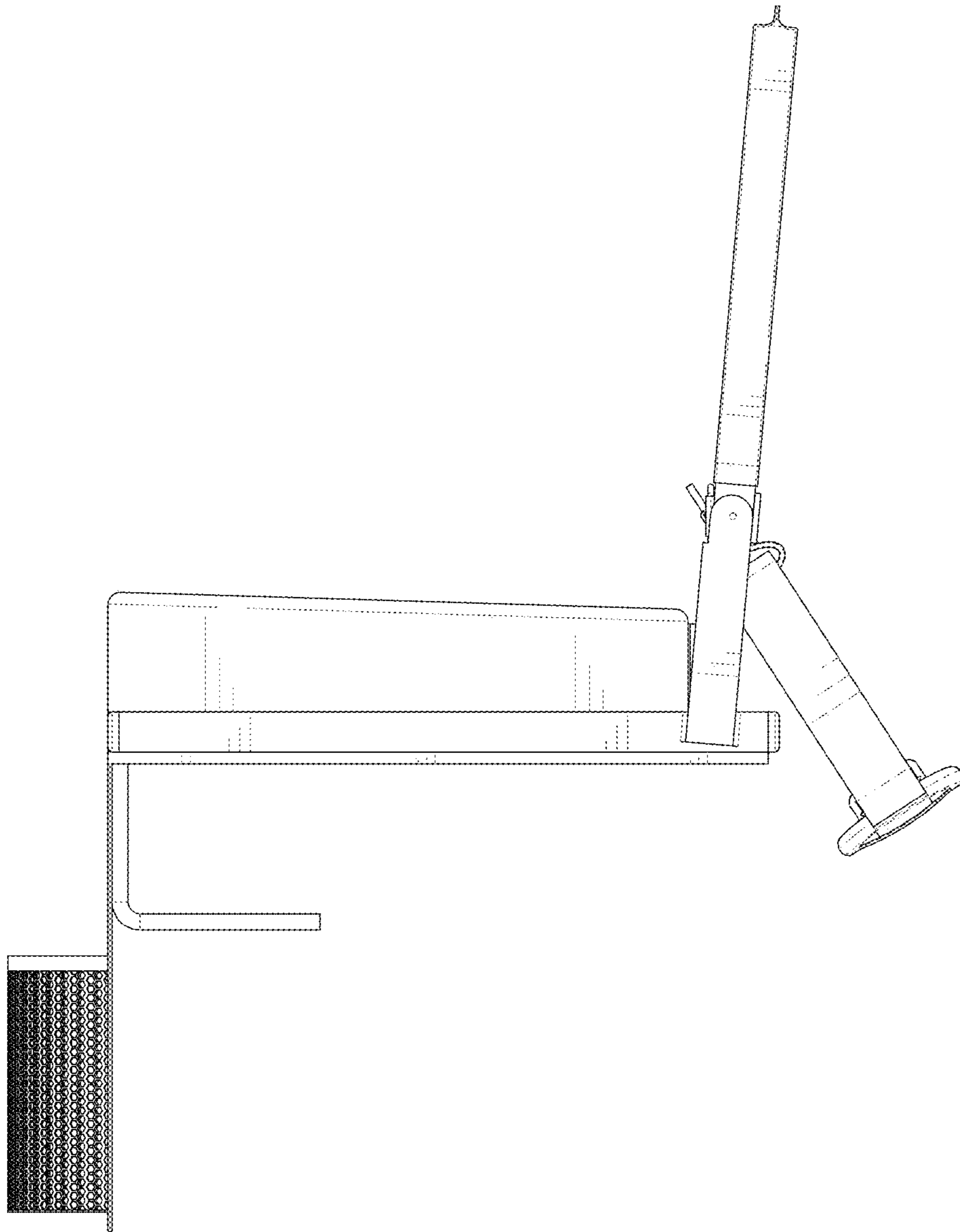


FIG. 6

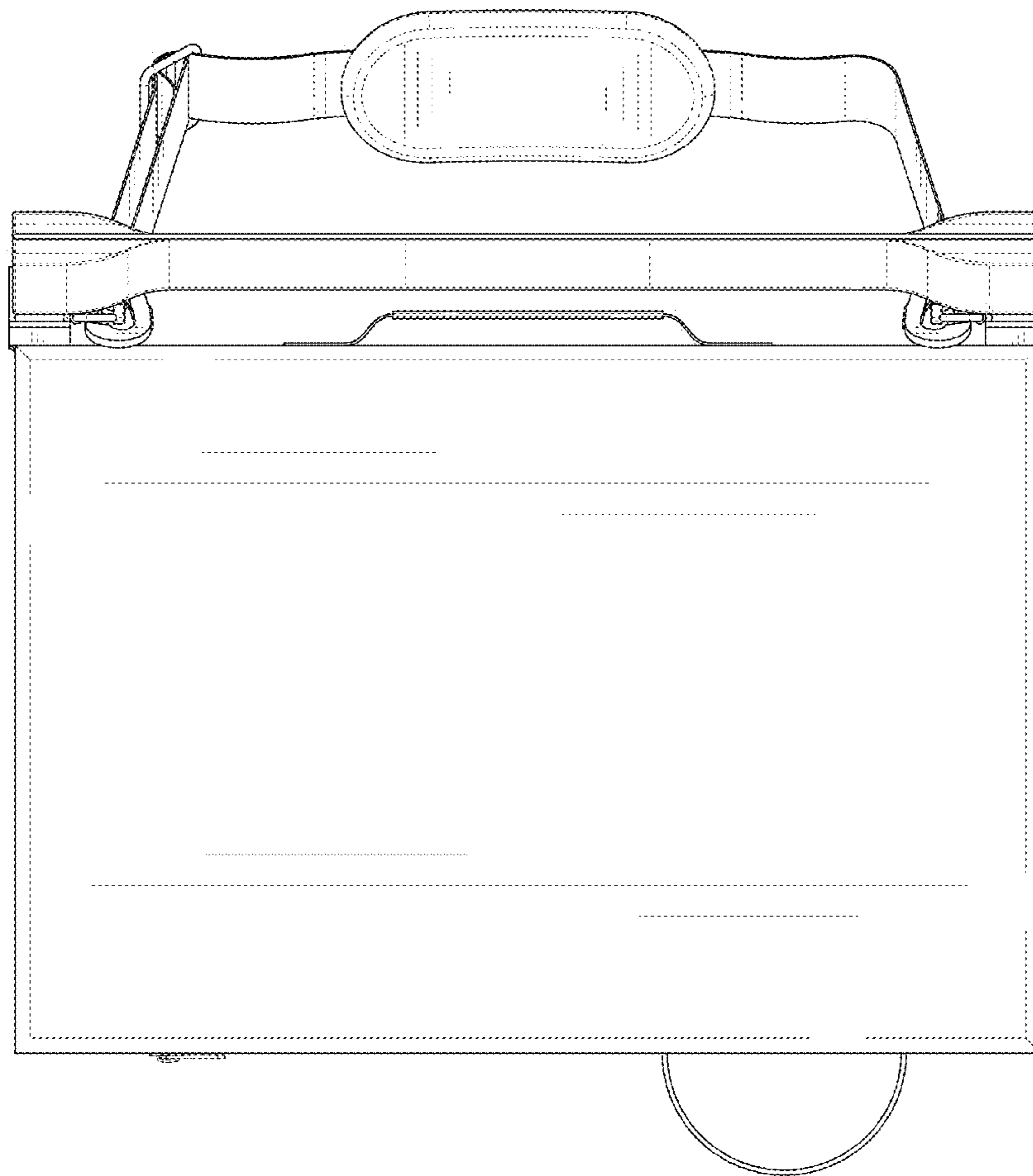


FIG. 7

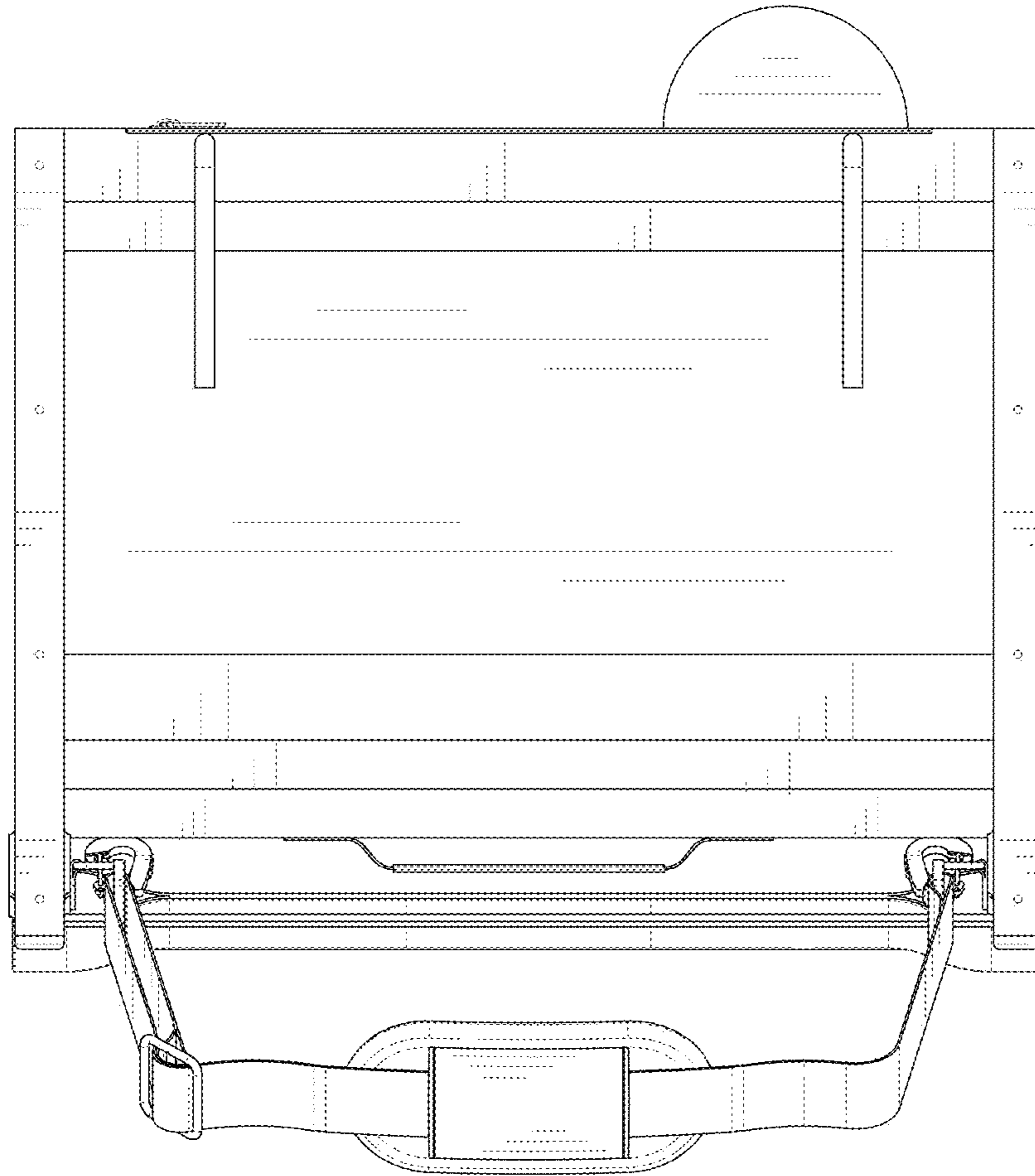


FIG. 8

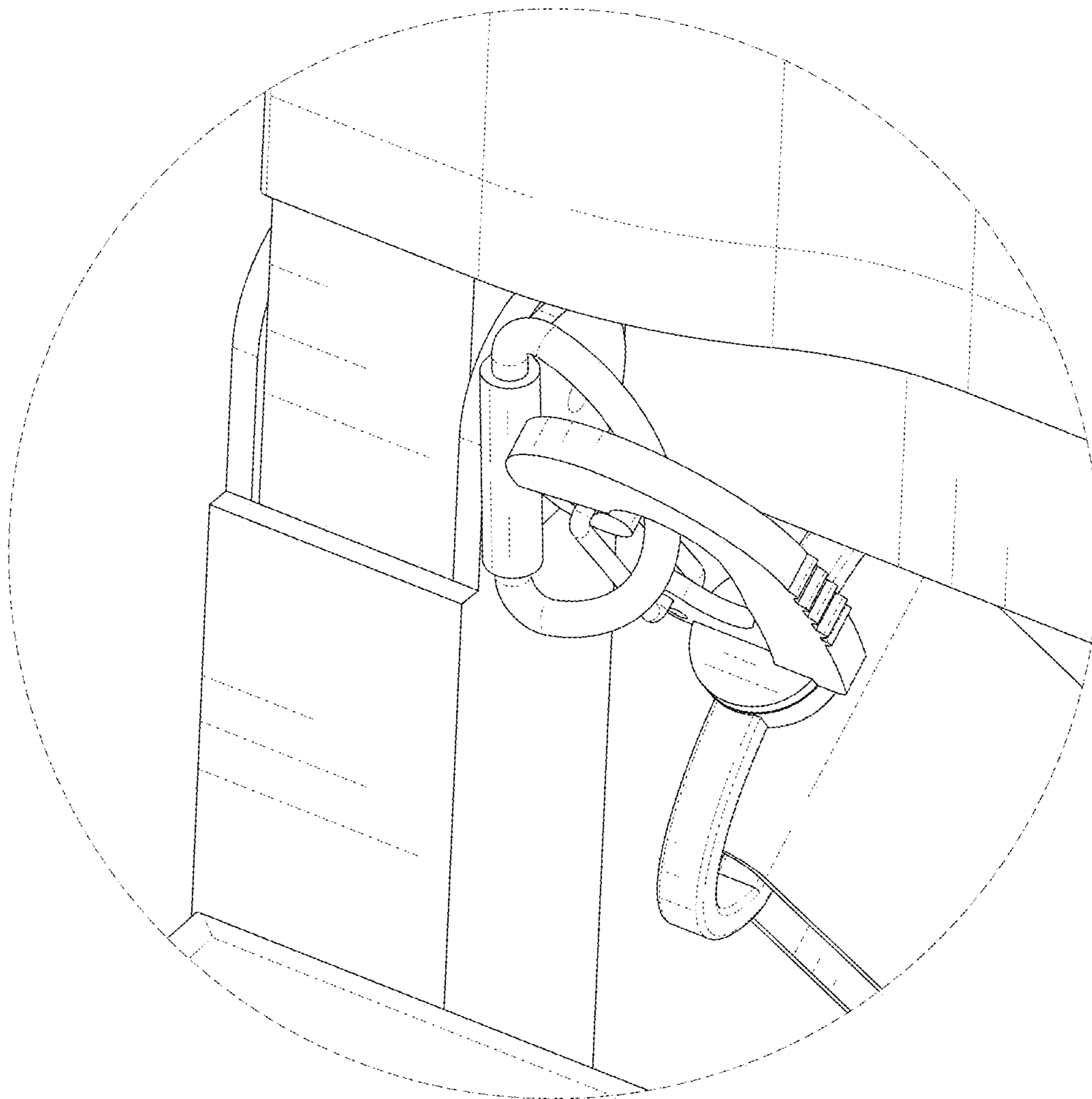


FIG. 9

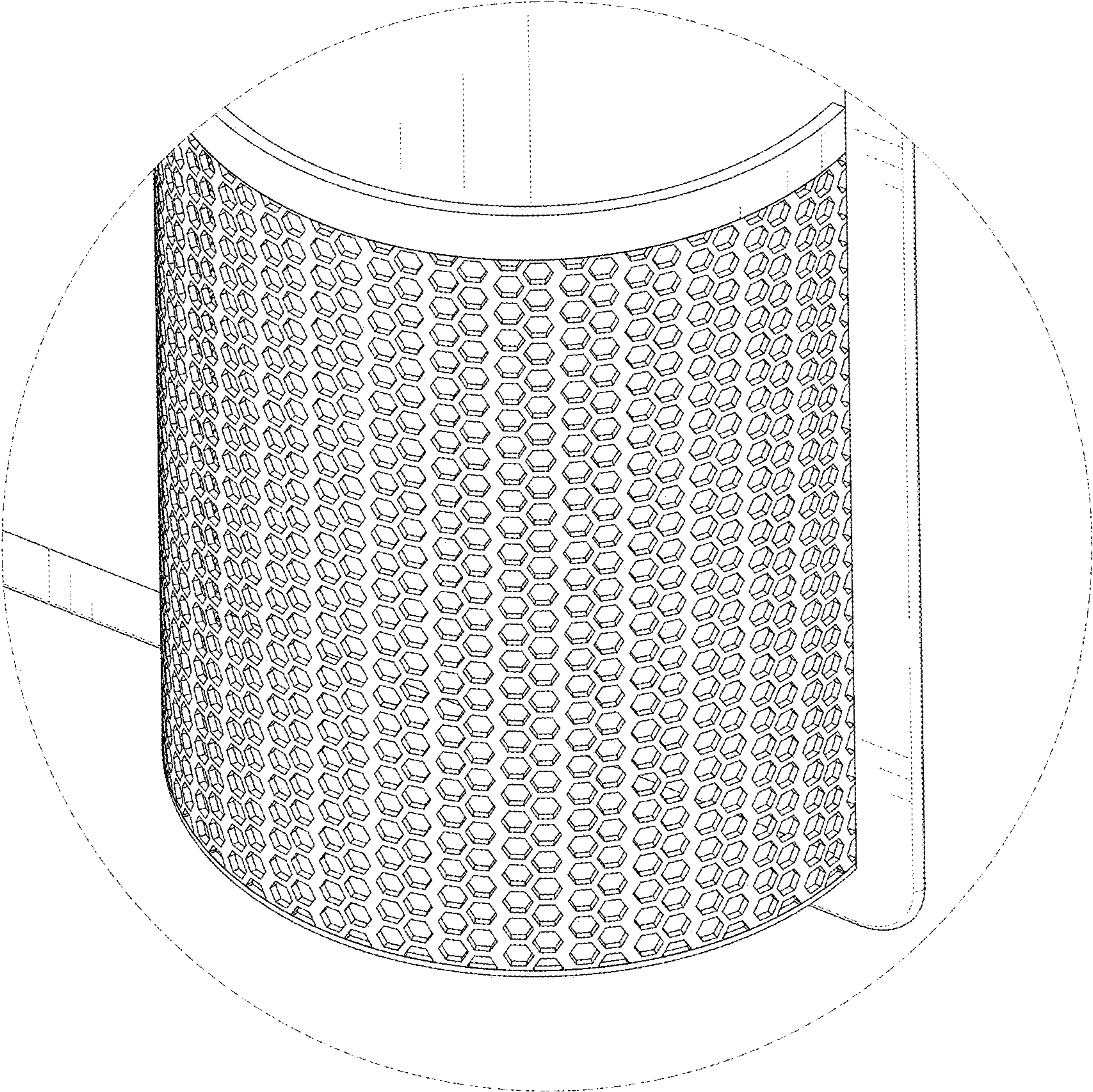


FIG. 10