



US00D981122S

(12) **United States Design Patent** (10) **Patent No.:** **US D981,122 S**
Kim et al. (45) **Date of Patent:** **** Mar. 21, 2023**

(54) **VEHICLE REAR SEAT**

(56) **References Cited**

(71) Applicant: **Canoo Technologies Inc.**, Torrance, CA (US)

U.S. PATENT DOCUMENTS

(72) Inventors: **Richard Kim**, Los Angeles, CA (US); **Taeho Kim**, South Pasadena, CA (US); **Arthur Henrique Martins, Jr.**, Los Angeles, CA (US); **Cameron Bresn**, Redondo Beach, CA (US); **Jarrad Adams**, Hermosa Beach, CA (US)

2,792,875 A 5/1957 Pirrone
D216,788 S 3/1970 Petersen
(Continued)

(73) Assignee: **Canoo Technologies Inc.**, Torrance, CA (US)

OTHER PUBLICATIONS

United States Patent and Trademark Office, "Non-Final Office Action," dated May 10, 2022, in connection with U.S. Appl. No. 29/791,842, 18 pages.

(**) Term: **15 Years**

(Continued)

Primary Examiner — Kevin K Rudzinski
Assistant Examiner — Paul D Bohannon

(21) Appl. No.: **29/791,844**

(22) Filed: **Feb. 11, 2022**

(57) **CLAIM**

The ornamental design for a vehicle rear seat, as shown and described.

Related U.S. Application Data

(62) Division of application No. 29/706,605, filed on Sep. 20, 2019, now Pat. No. Des. 963,366.

DESCRIPTION

(51) **LOC (14) Cl.** **06-01**

(52) **U.S. Cl.**
USPC **D6/356**

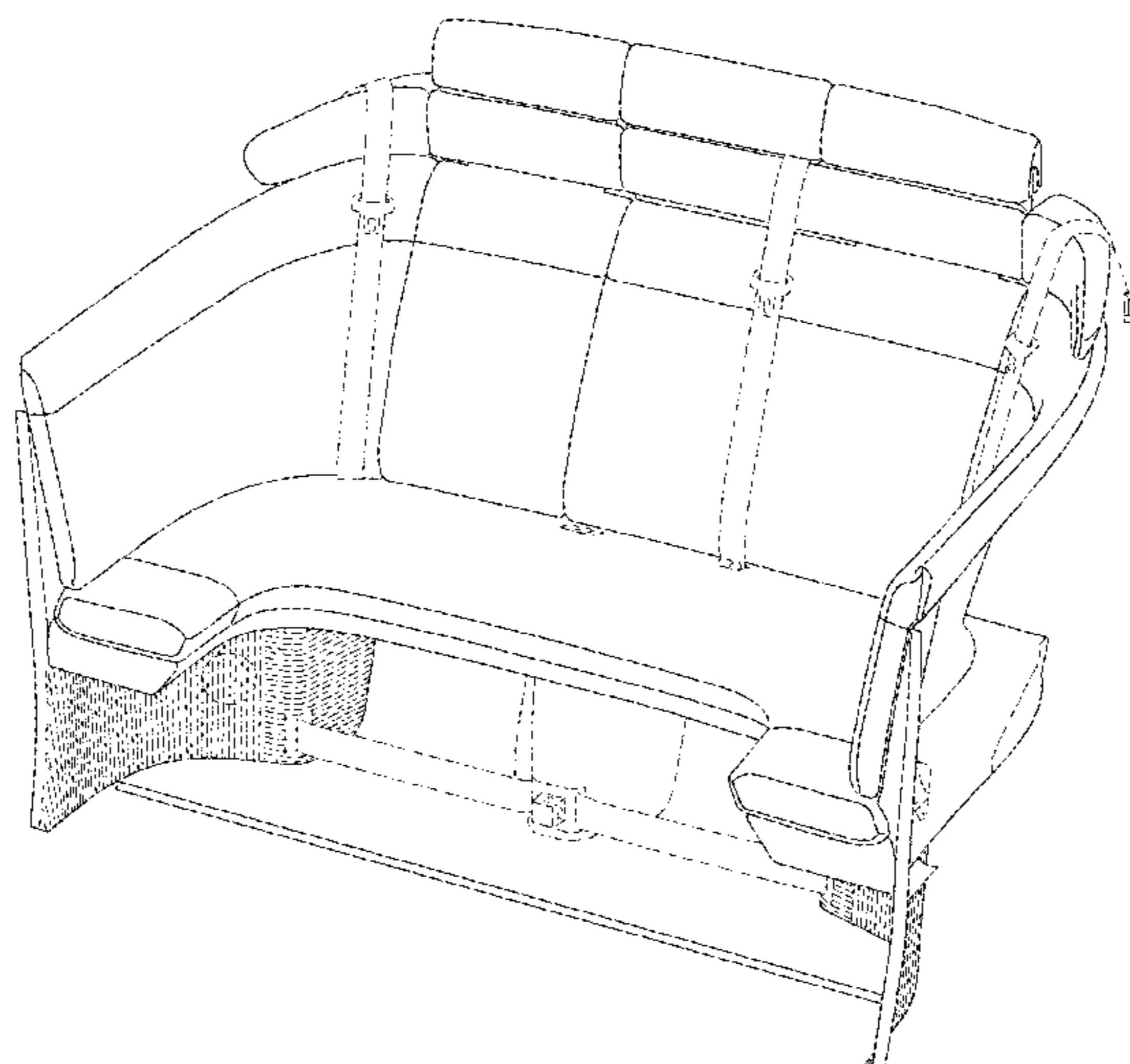
(58) **Field of Classification Search**
USPC D6/334, 356, 360, 369, 370, 374, 376, D6/716, 716.1, 716.2, 716.3, 716.4, D6/716.5, 716.7, 366, 335, 342, 364, 375, D6/702, 703, 703.1, 381, 367; D21/521, D21/533, 548; D12/133, 7, 85, 187, 400, D12/195, 169; D14/172
CPC A61H 2201/0149; B60N 2/06; B60N 2/20; B60N 2/22; B60N 2/58; B60N 2/68; B60N 2/80; B60N 2/643; B60N 2/888; B60N 2/859; B60N 2/1615; B60N 2/7035; B60N 2/42745; B60N 2002/0272; B60N 2205/35; B60N 2/44; B60N 2/56; B60N 2/206; B60N 2/366; B60N 2/933; B60N 2/2222;

FIG. 1 is a front view of a vehicle rear seat, with headrests shown in a first position of use, according to the present invention.

FIG. 2 is a top view thereof.
FIG. 3 is another top view thereof.
FIG. 4 is a first perspective view thereof.
FIG. 5 is a second perspective view thereof.
FIG. 6 is a third perspective view thereof.
FIG. 7 is a fourth perspective view thereof.
FIG. 8 is a fifth perspective view thereof, with the headrests shown in a second position of use.
FIG. 9 is a sixth perspective view thereof; and,
FIG. 10 is a seventh perspective view thereof.
Mirror images of side views are within the scope of the claimed design even if not illustrated.
Features shown in broken lines do not form part of the claimed design.

(Continued)

1 Claim, 10 Drawing Sheets



(58) **Field of Classification Search**

CPC B60N 2/2245; B60N 2/686; B60N 2/688;
B60N 2/46; B60N 2/30; F16B 2/08;
F16B 2/803; F16B 45/00; B60K 35/00;
B60K 37/06; B60K 2026/026; B60K
2370/685; B60K 2370/744

See application file for complete search history.

(56) **References Cited**

U.S. PATENT DOCUMENTS

D226,464 S * 3/1973 Genaro D6/377
D239,234 S * 3/1976 Gamble et al. D6/375
D259,752 S 7/1981 Geschwender
D290,693 S * 7/1987 Fukuichi D12/169
D299,988 S 2/1989 Parabita
D417,984 S 12/1999 Sand
6,601,252 B1 8/2003 Leach
7,104,605 B2 9/2006 Jones

D695,033 S * 12/2013 Salzberger D6/356
D765,999 S * 9/2016 Goode D6/336
D917,906 S * 5/2021 Cousin D6/356
D924,583 S * 7/2021 Kang D6/356
D936,981 S * 11/2021 Kentley-Klay D6/356
D940,047 S * 1/2022 Kim D12/415
2010/0252680 A1 * 10/2010 Porter B60R 7/043
244/118.6
2020/0070691 A1 * 3/2020 Glain B60N 2/643
2020/0238880 A1 * 7/2020 Valdes De La Garza
B64D 11/0643

OTHER PUBLICATIONS

United States Patent and Trademark Office, "Notice of Allowance and Fee(s) Due," dated May 17, 2022, in connection with U.S. Appl. No. 29/791,845, 9 pages.

* cited by examiner

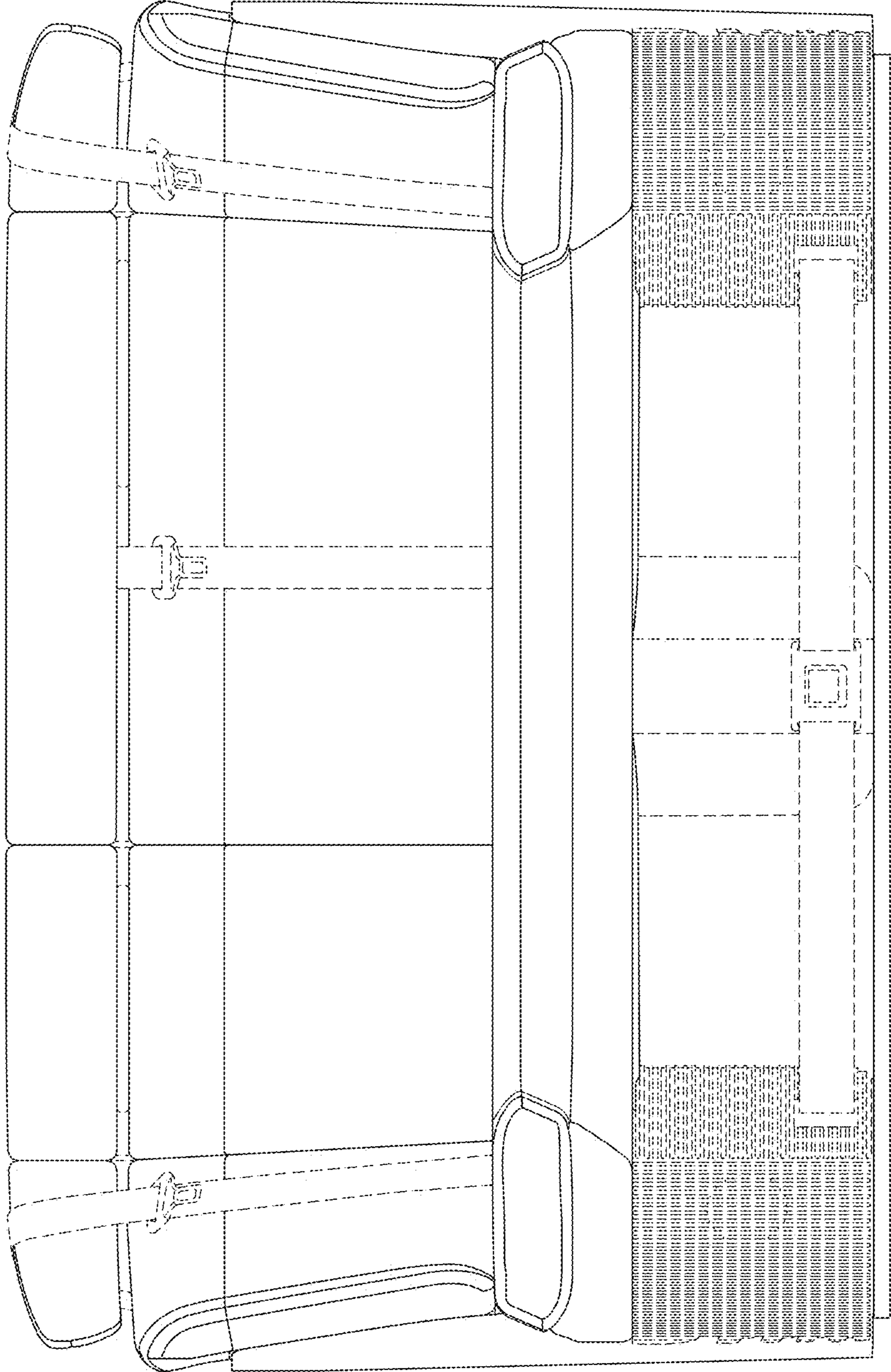


FIG. 1

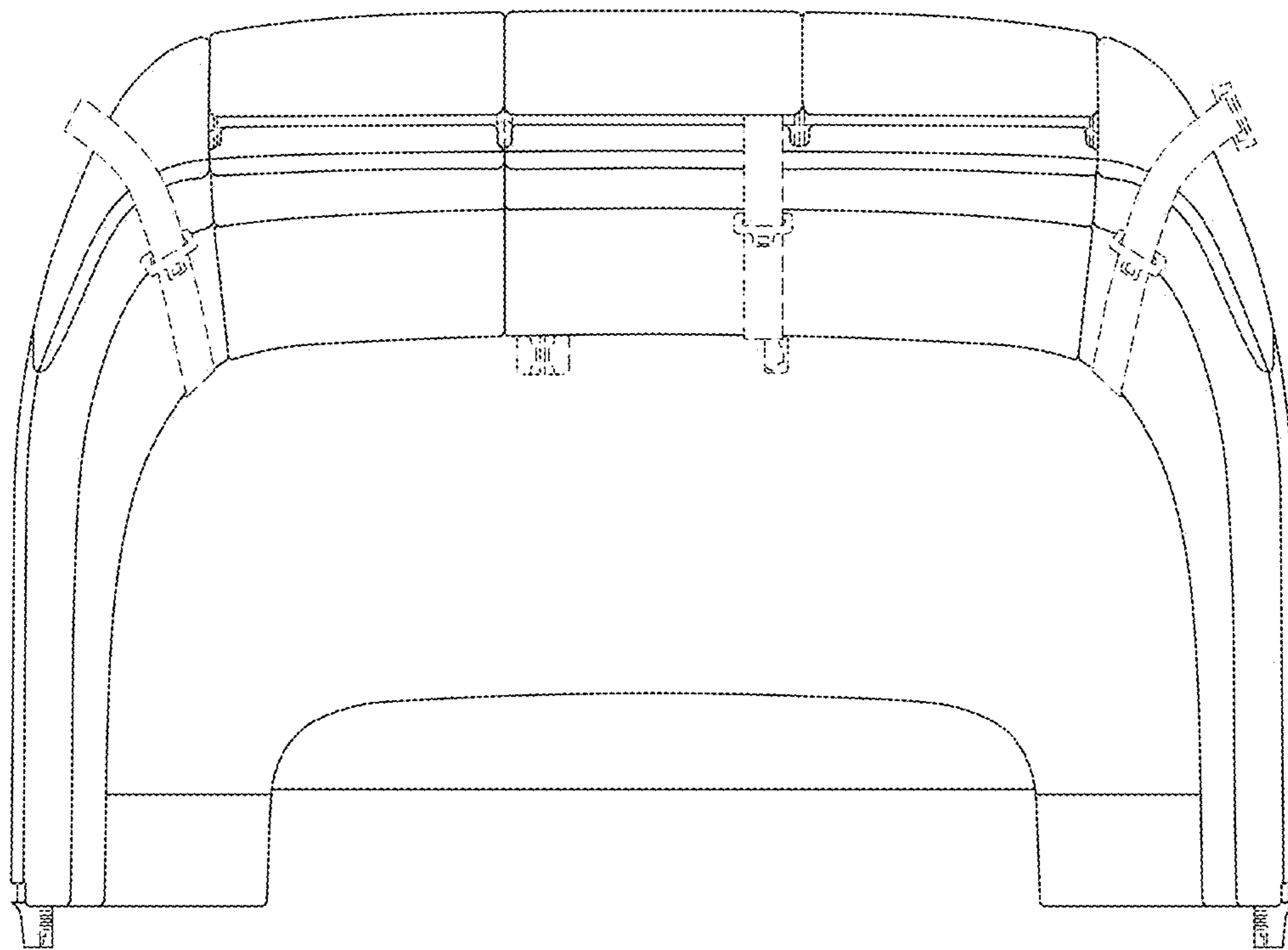


FIG. 2

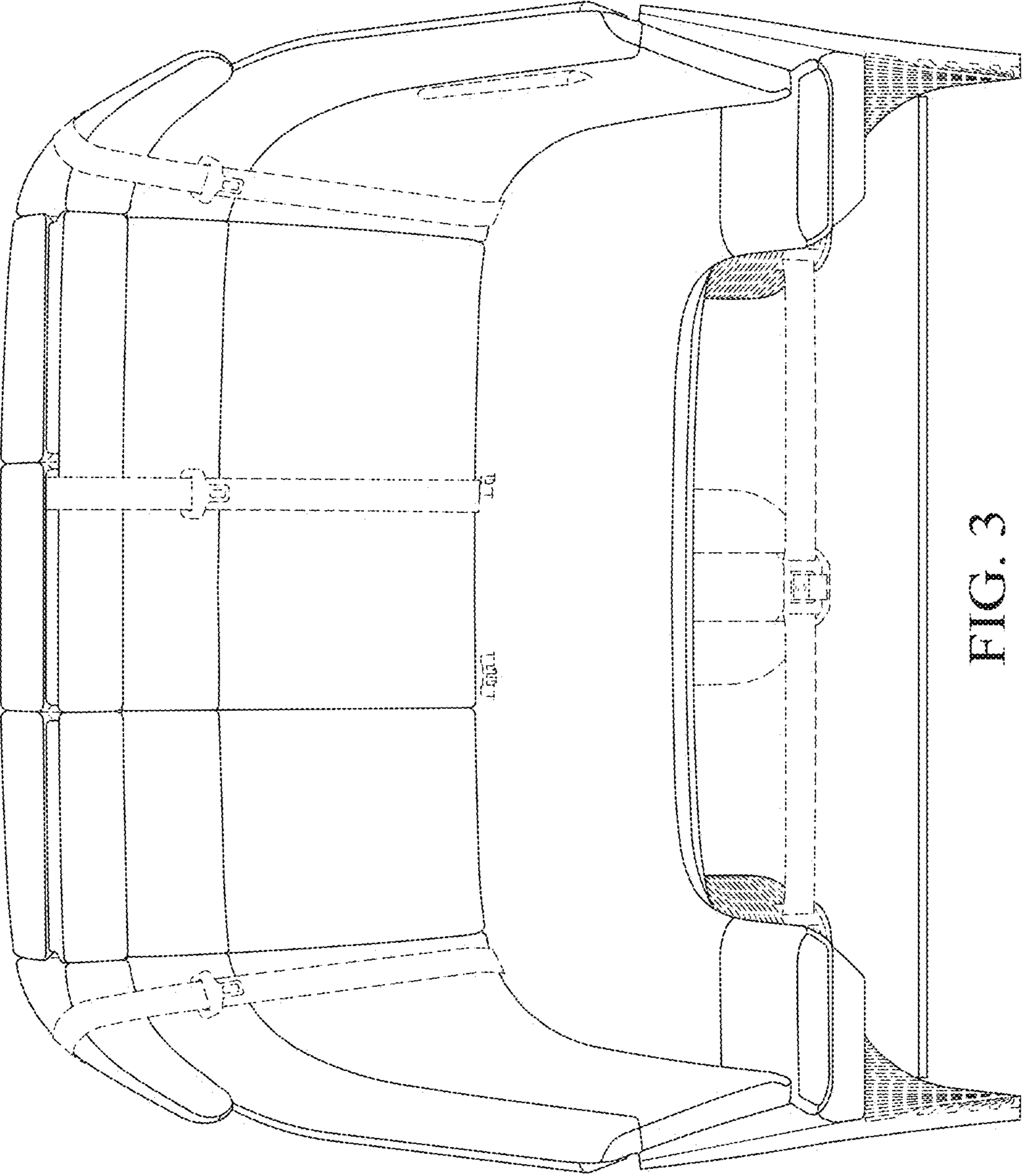


FIG. 3

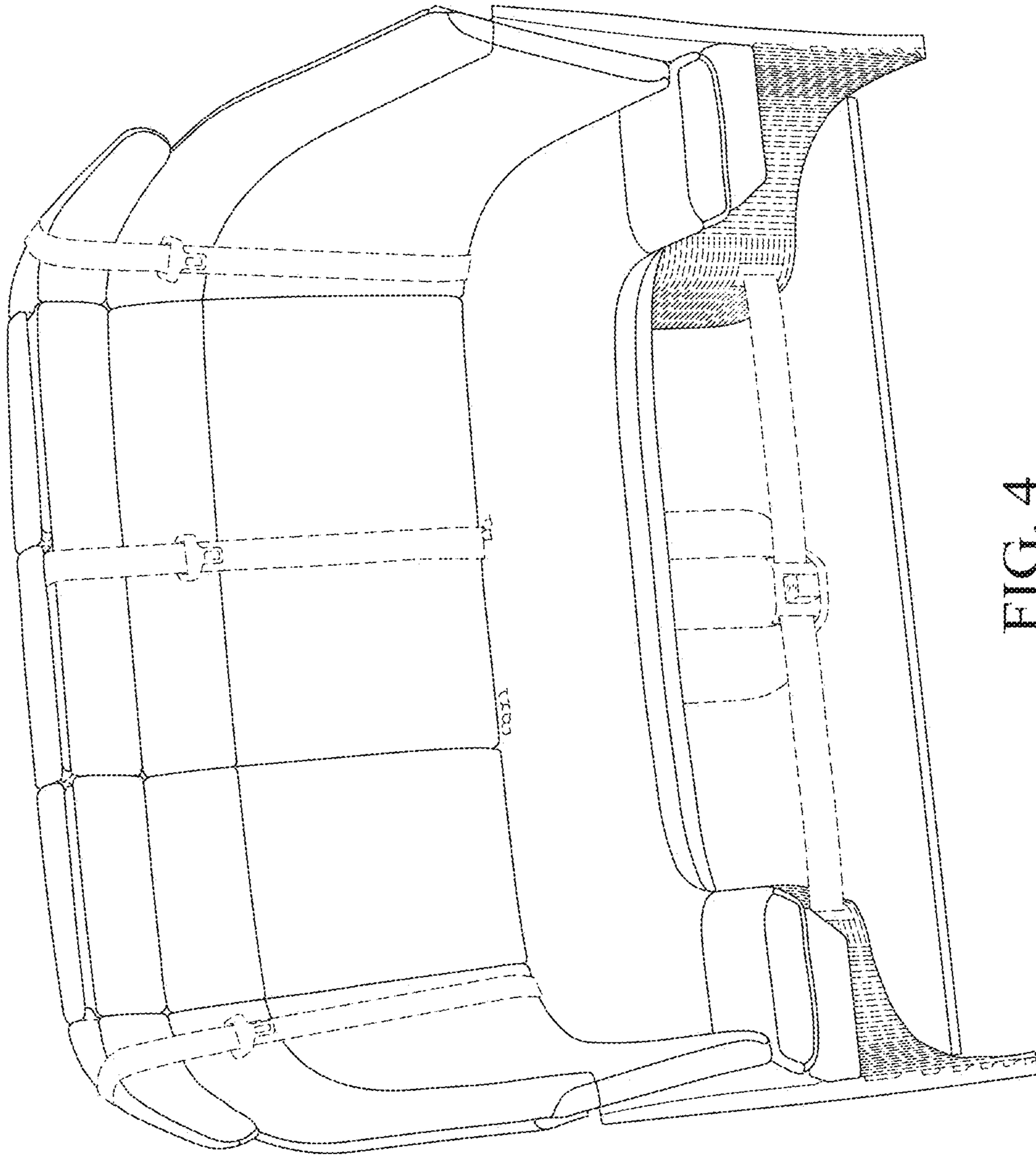


FIG. 4

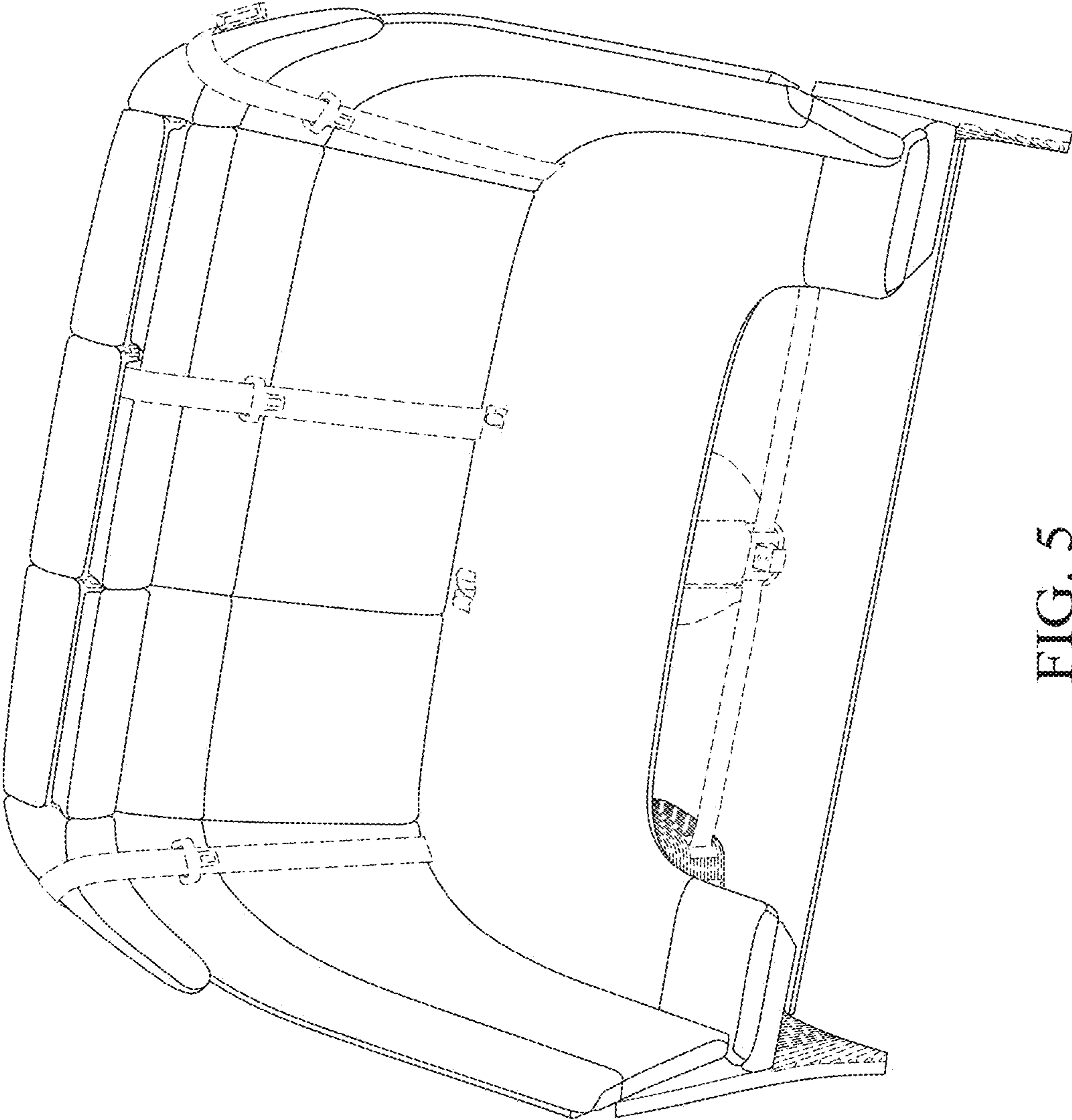


FIG. 5

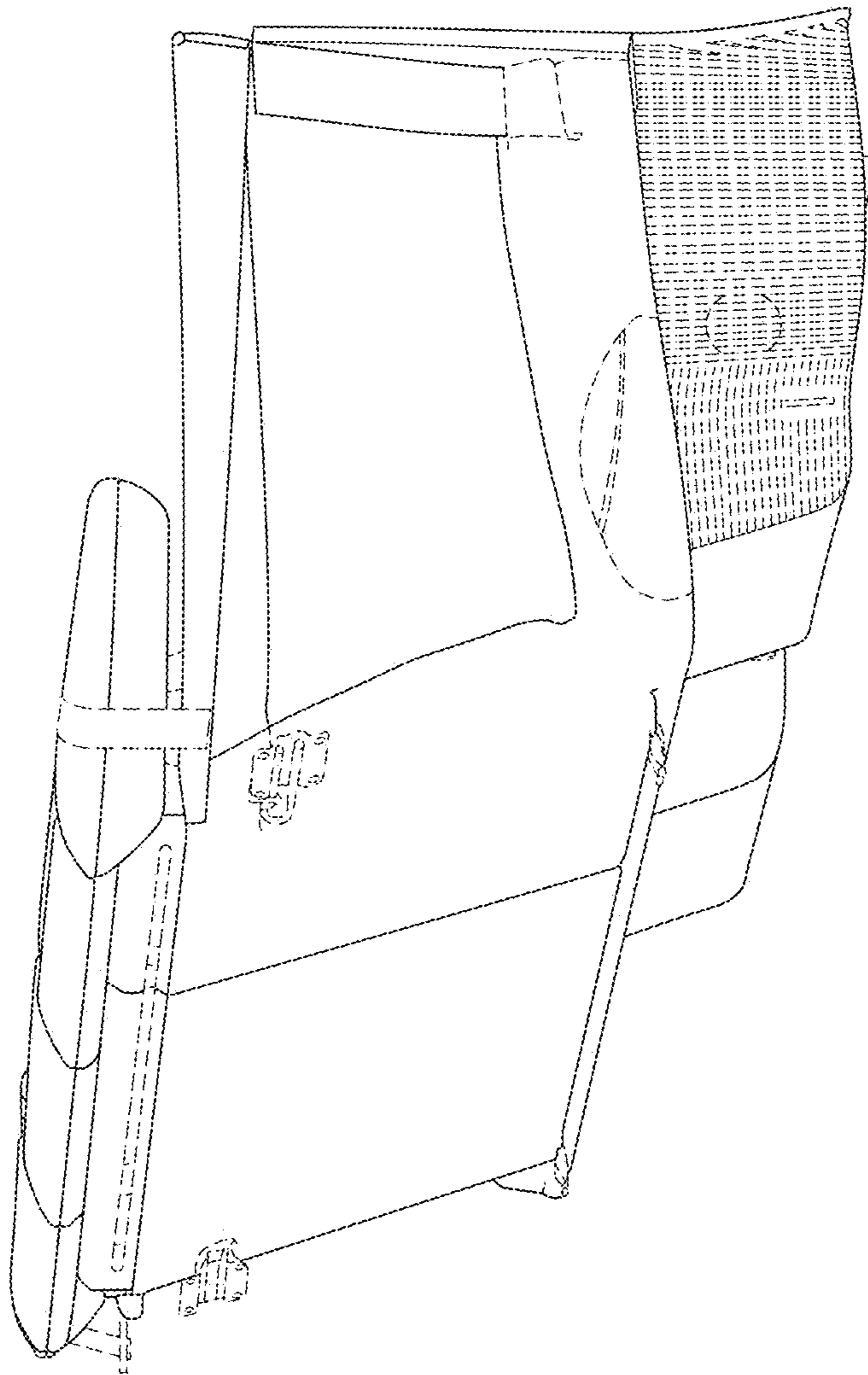


FIG. 6

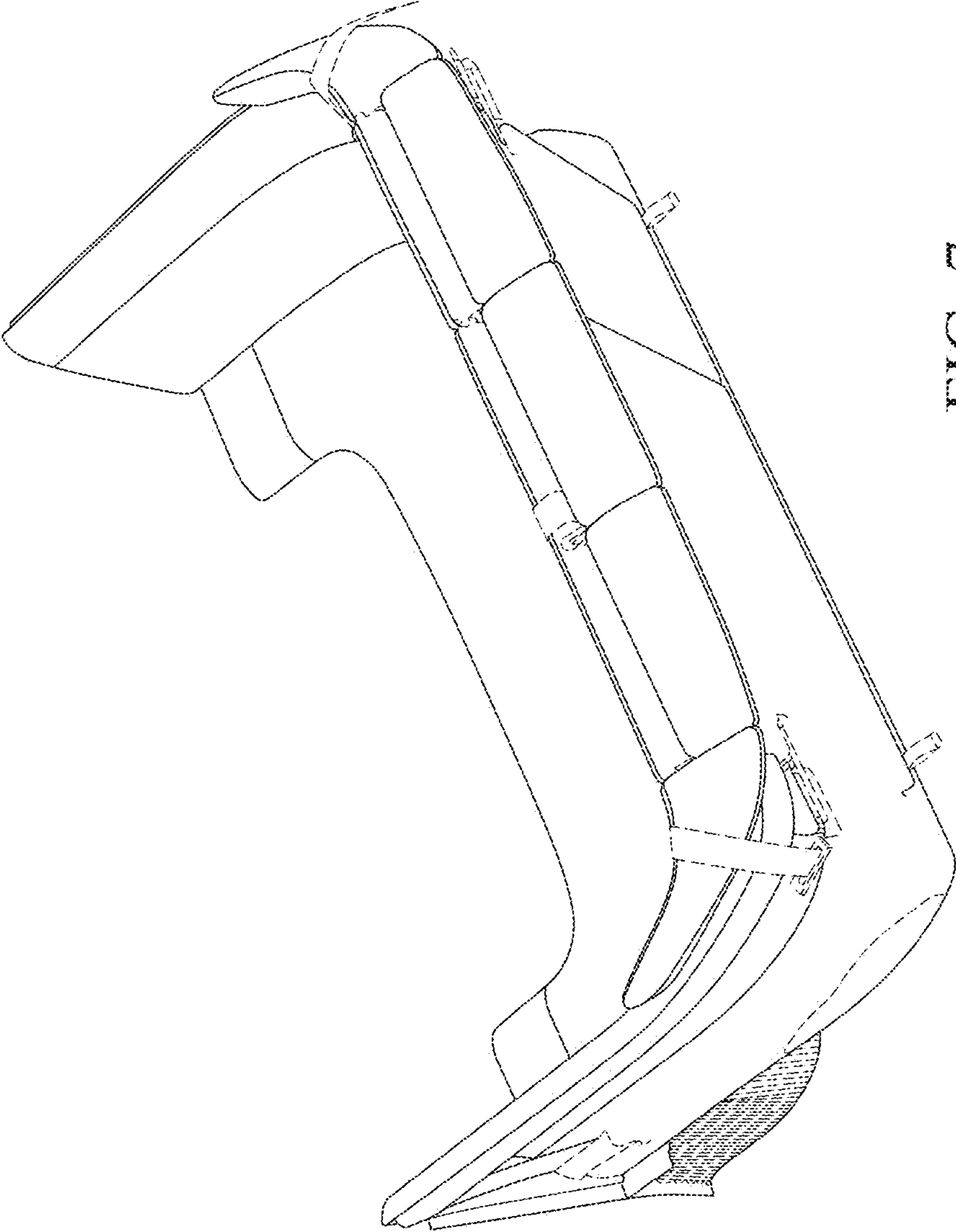


FIG. 7

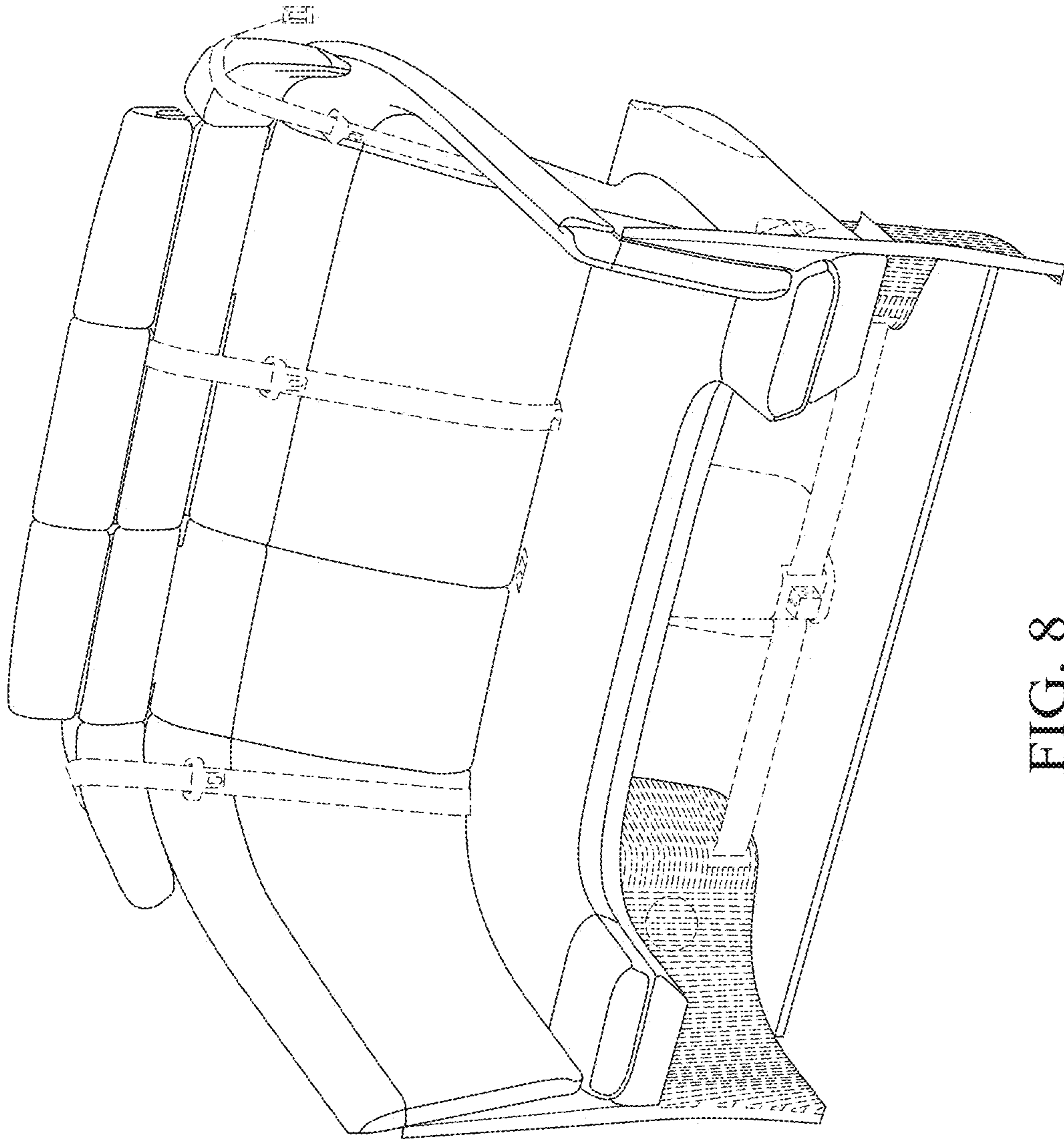


FIG. 8

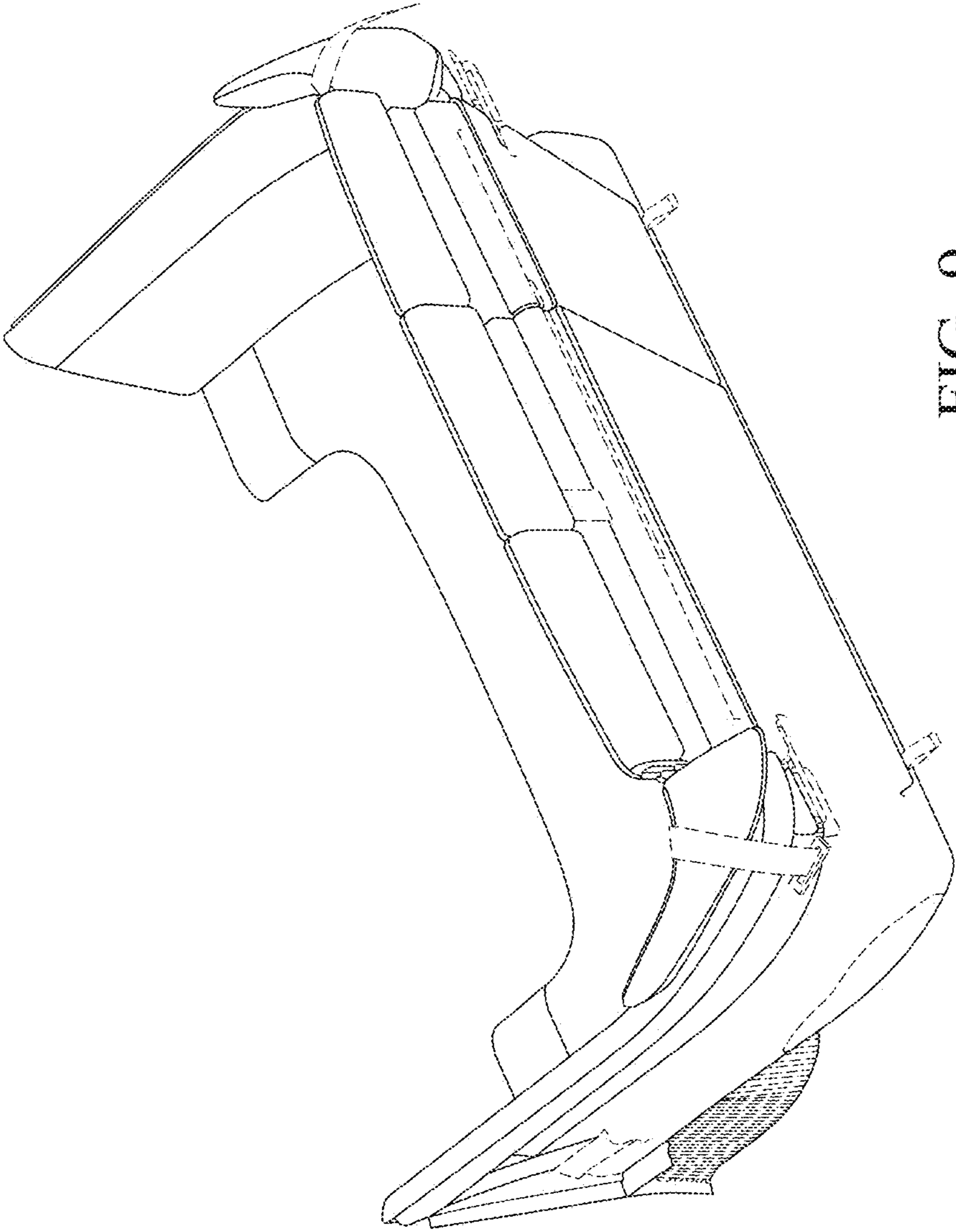


FIG. 9

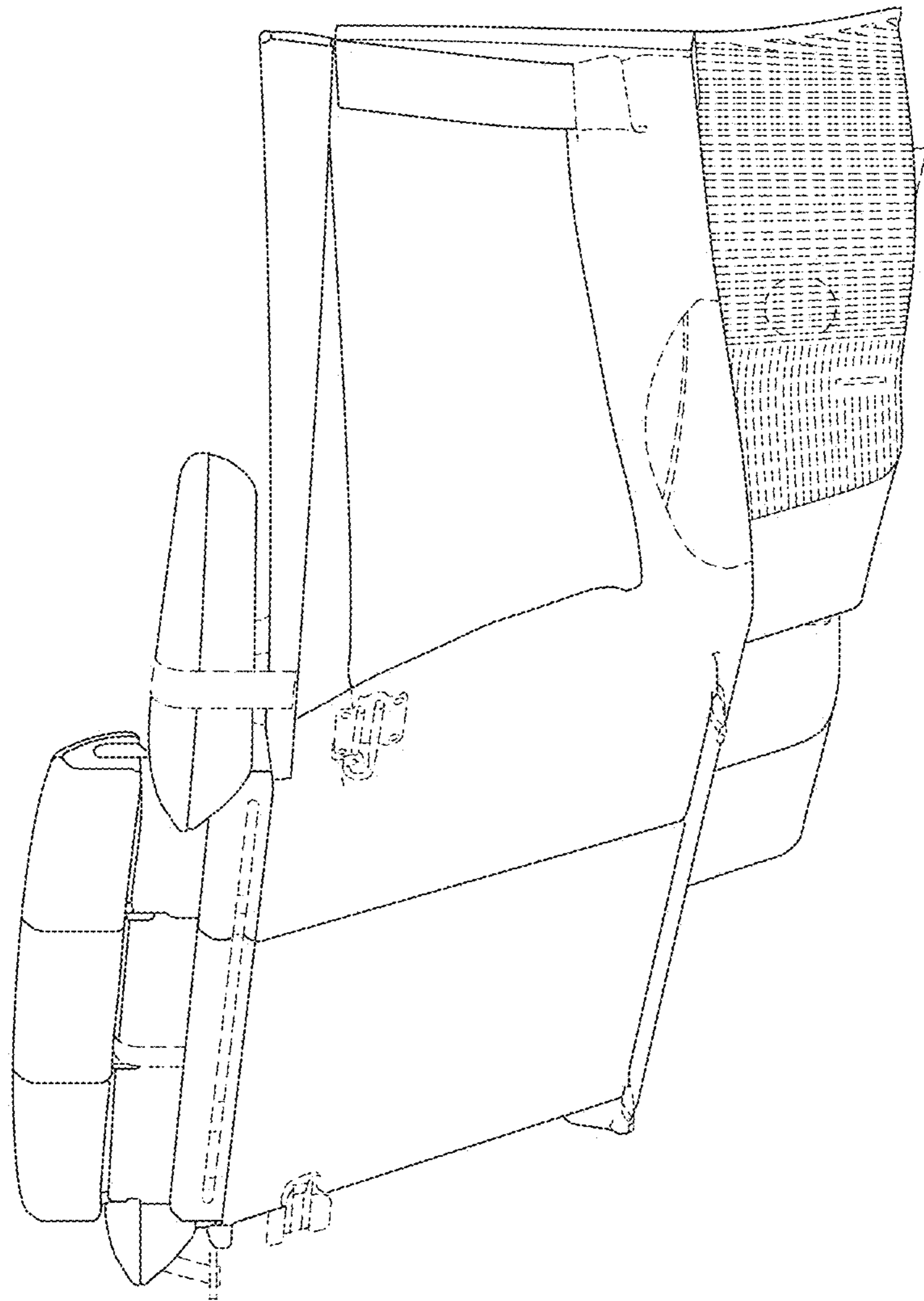


FIG. 10