



US00D981118S

(12) **United States Design Patent**
Visger

(10) **Patent No.:** **US D981,118 S**
(45) **Date of Patent:** **** Mar. 21, 2023**

(54) **COMBINATION CORNHOLE GAME BOARD AND LEISURE CHAIR**

(71) Applicant: **Aaron Visger**, Sacramento, CA (US)

(72) Inventor: **Aaron Visger**, Sacramento, CA (US)

(73) Assignee: **KAMP-RITE TENT COT, INC.**,
Sacramento, CA (US)

(**) Term: **15 Years**

(21) Appl. No.: **29/620,867**

(22) Filed: **Jul. 28, 2017**

(51) **LOC (14) Cl.** **06-07**

(52) **U.S. Cl.**
USPC **D6/335**

(58) **Field of Classification Search**
USPC D6/334, 335, 336, 367, 368
(Continued)

(56) **References Cited**

U.S. PATENT DOCUMENTS

3,151,909 A * 10/1964 Gerdetz A47C 31/11
297/188.2
5,054,848 A * 10/1991 Liu A47C 5/10
297/39

(Continued)

Primary Examiner — Deanna L Pratt

(74) *Attorney, Agent, or Firm* — Mark C. Jacobs

(57) **CLAIM**

The ornamental design for a combination cornhole game board and leisure chair, as shown and described.

DESCRIPTION

FIG. 1 is a front perspective view of the combination cornhole game board and leisure chair of my design wherein the pouch flap is open and folded back.

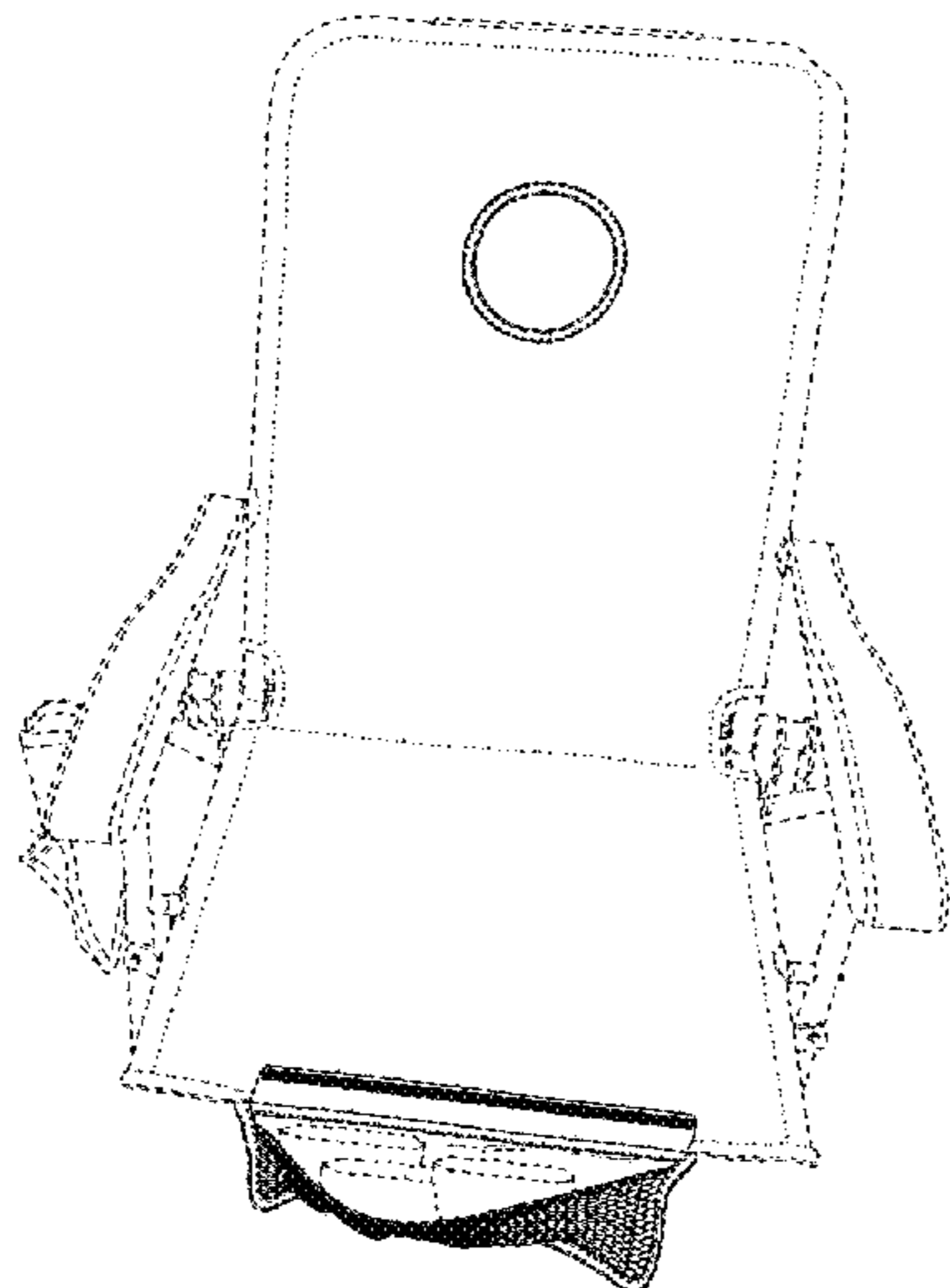


FIG. 2 is a rear perspective view thereof, wherein the pouch flap is closed.

FIG. 3 is a closeup view of the carry strap and the closure part of the game board-chair, wherein no pouch flap is shown.

FIG. 4 is a left side perspective view of the game board and chair of this design wherein the pouch flap is closed.

FIG. 5 is a right side perspective view with the back in position for a sitting person wherein the pouch flap is closed.

FIG. 6 is a right side perspective view with the back tilted for game board use and play wherein the pouch flap is open and folded back.

FIG. 7 is a top closeup view of a portion of the chair seat and the attached pocket that holds the sacks for game playing, wherein the pouch flap is open and folded back.

FIG. 8 is a rear perspective view of the chair in a partially folded position with the sack pocket under the seat portion of the chair and no pouch flap is shown.

FIG. 9 is a front elevational view in a folded-up state showing the bag for holding game sacks in an external position wherein the pouch flap is closed.

FIG. 10 is a top view of a partially opened chair with game sack bag open wherein the pouch flap is open and folded upward.

FIG. 11 is a top perspective view of a partially open chair, showing the two parts of the parachute buckle closure to retain the chair in closed position and the sack pocket folded upwardly over the chair seat and has the pouch flap closed.

FIG. 12 is a top view of a closed chair showing the closure portions engaged and has the pouch flap closed.

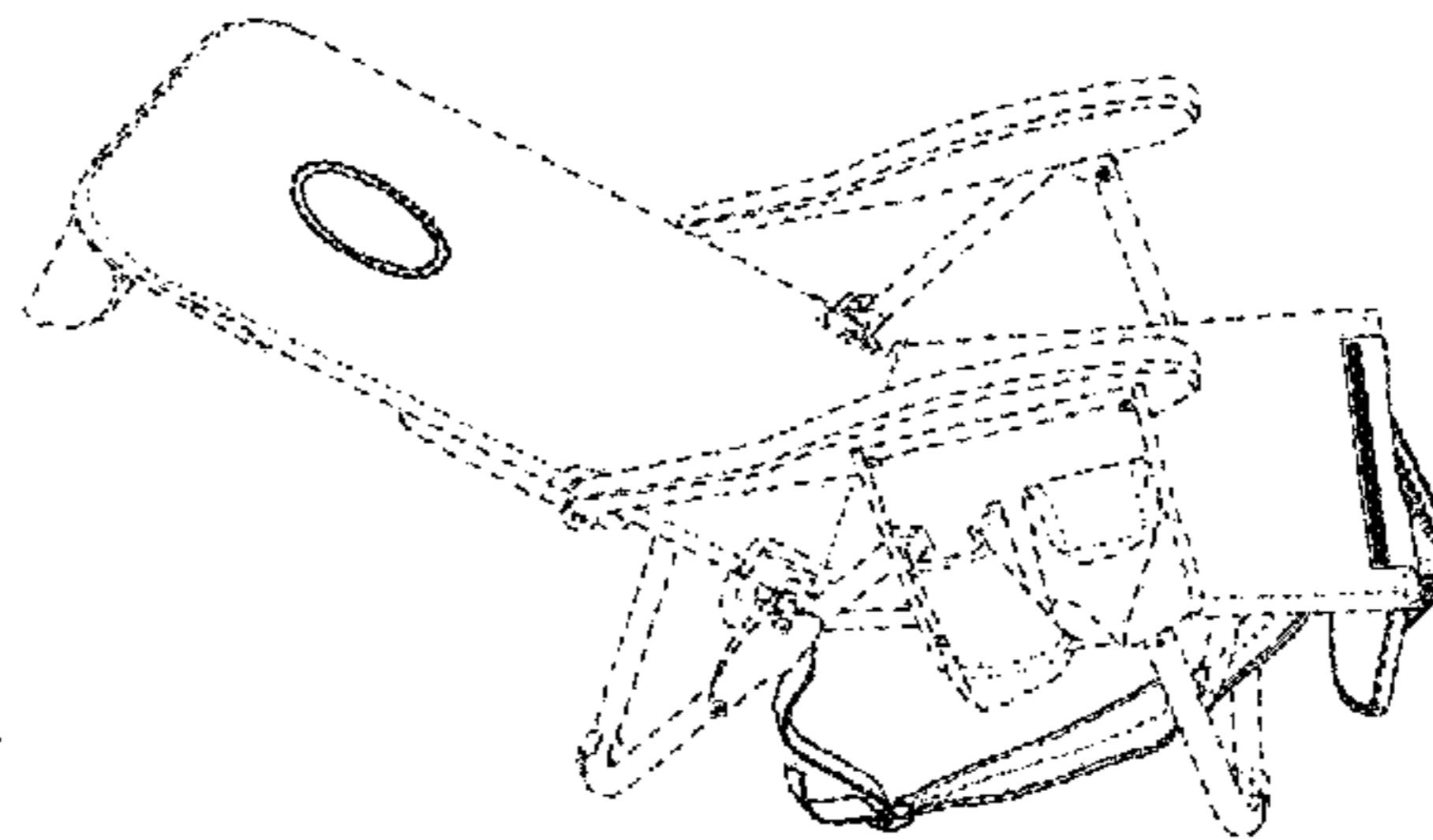
FIG. 13 is closeup view of the direction flippable hook and loop closure pocket for the game sacks as disposed on the chair wherein the pouch flap is open and folded back.

FIG. 14 is a closeup view showing the hook and loop closure pocket that can flip over from the front to the back wherein the pouch pocket is open and folded back; and,

FIG. 15 is a detailed view showing the configuration of the carry handle flipped over to the front of the chair wherein no pouch flap is seen.

In the Figures set forth above, the smaller dashed lines represent stitching, whereas the longer dashed lines, are intended to convey non-claimed aspects.

1 Claim, 15 Drawing Sheets



(58) **Field of Classification Search**

CPC A47C 4/28; A47C 4/42; A45F 4/02
See application file for complete search history.

(56) **References Cited**

U.S. PATENT DOCUMENTS

D340,814 S * 11/1993 Grant D6/368
D438,394 S * 3/2001 Tseng D6/368
D490,251 S * 5/2004 Lin D6/335
D571,115 S * 6/2008 Cohen D6/368
8,197,000 B1 * 6/2012 Cohen A47C 7/622
297/17
D672,161 S * 12/2012 McDowell D6/368
D711,147 S * 8/2014 Cohen D6/368
D718,067 S * 11/2014 Cohen D6/368
9,185,983 B1 * 11/2015 Cohen A47C 4/28
D773,841 S * 12/2016 Lyles D6/362
D796,217 S * 9/2017 Meoli D6/336
D796,856 S * 9/2017 Meoli D6/336
D806,423 S * 1/2018 Silva D6/368
9,877,587 B2 * 1/2018 Grace A47C 5/10
D844,338 S * 4/2019 Franks D6/368
D849,437 S * 5/2019 Yang D6/368
D850,135 S * 6/2019 Yang D6/368
D850,810 S * 6/2019 Doolan D6/368
D891,135 S * 7/2020 Chen D6/362

* cited by examiner

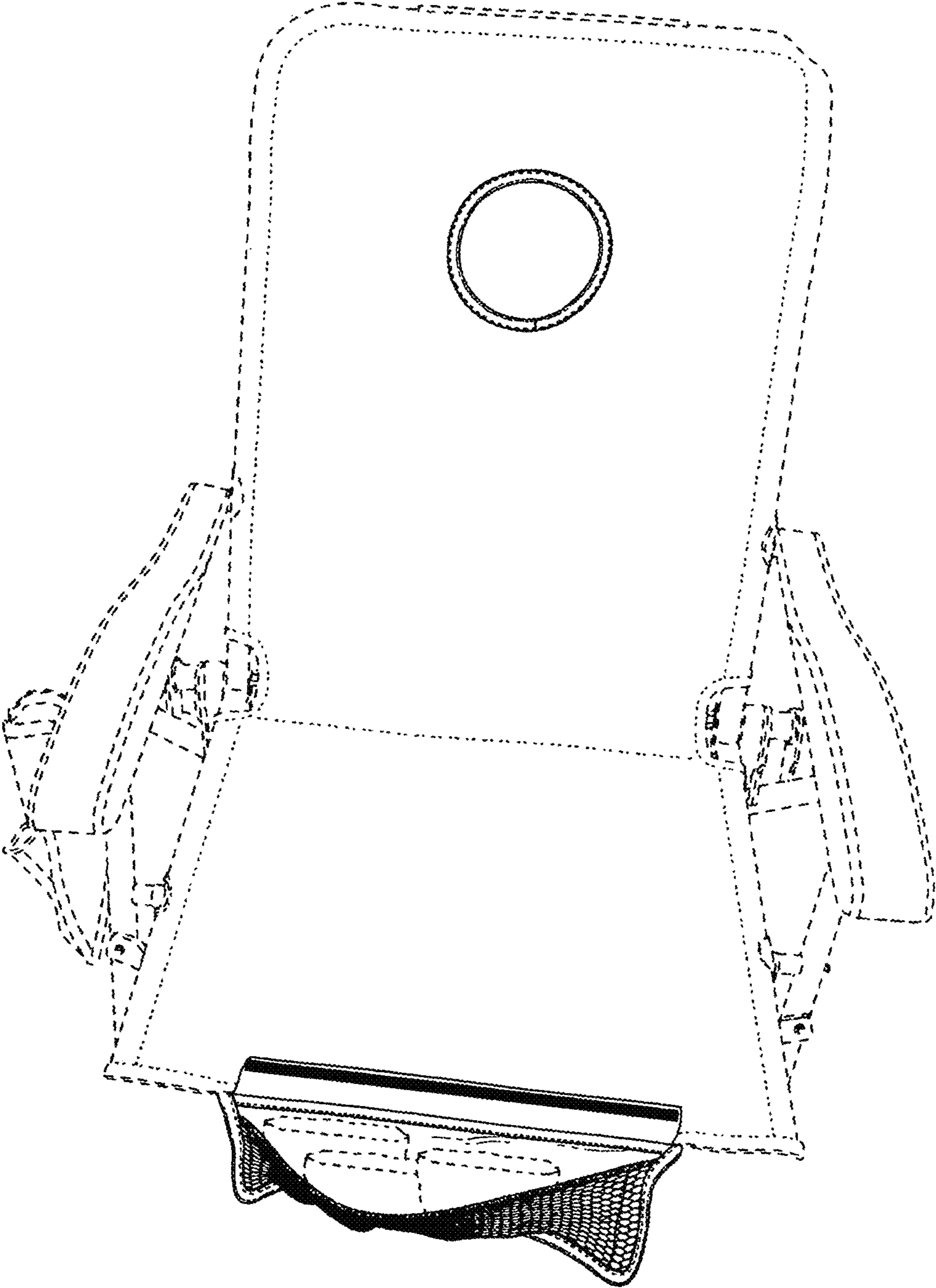


FIG. 1

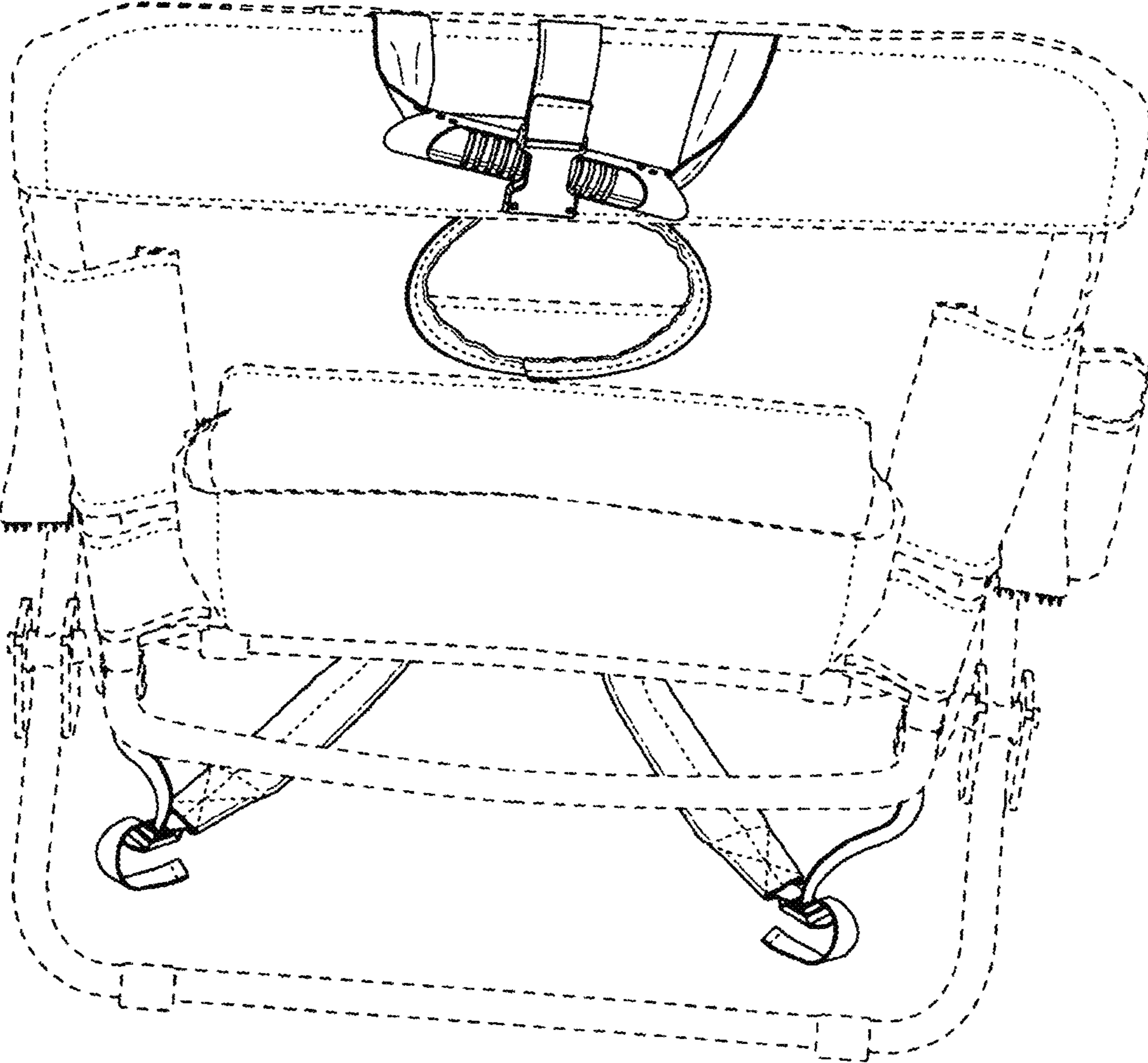


FIG. 2

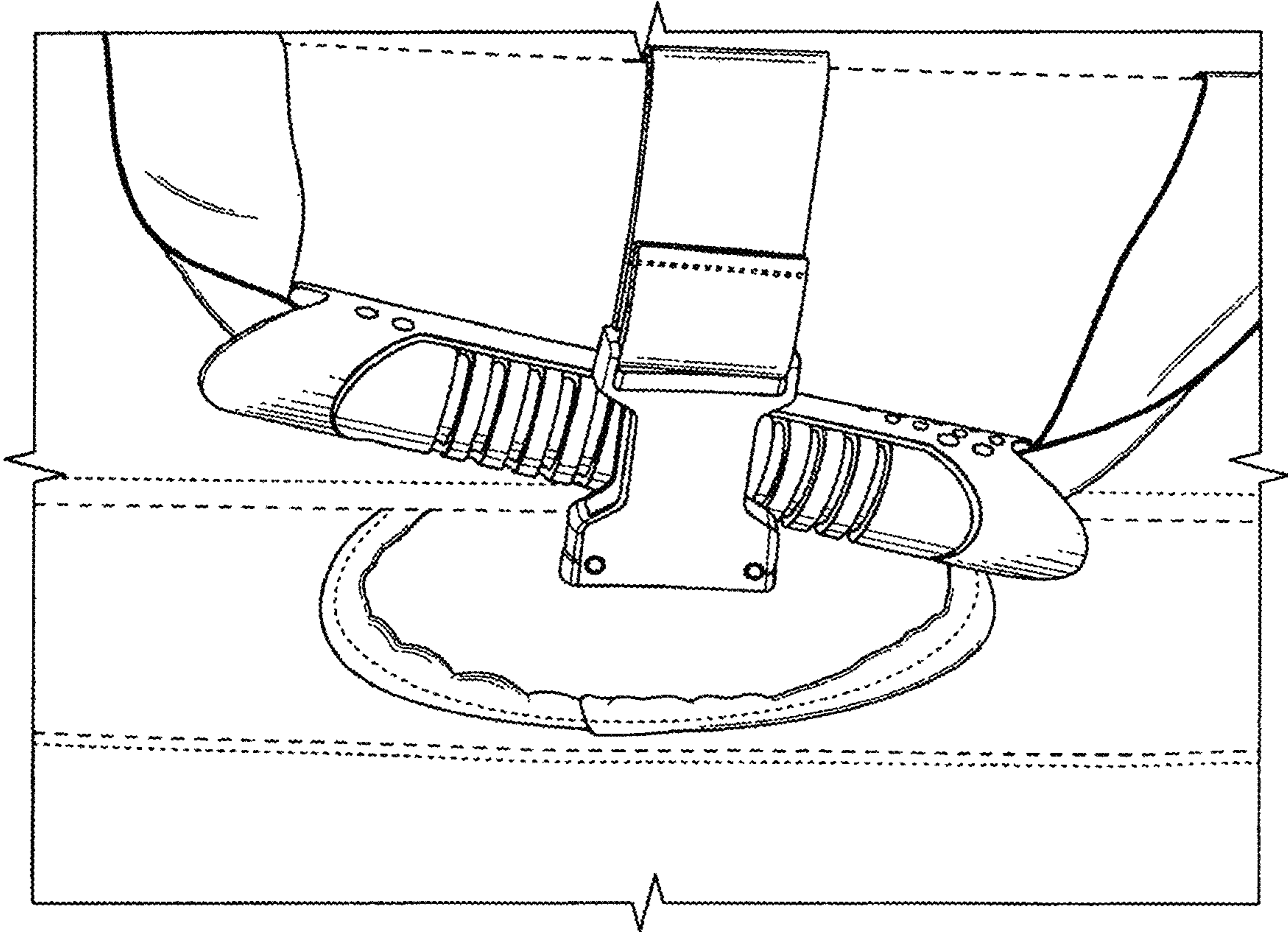


FIG. 3

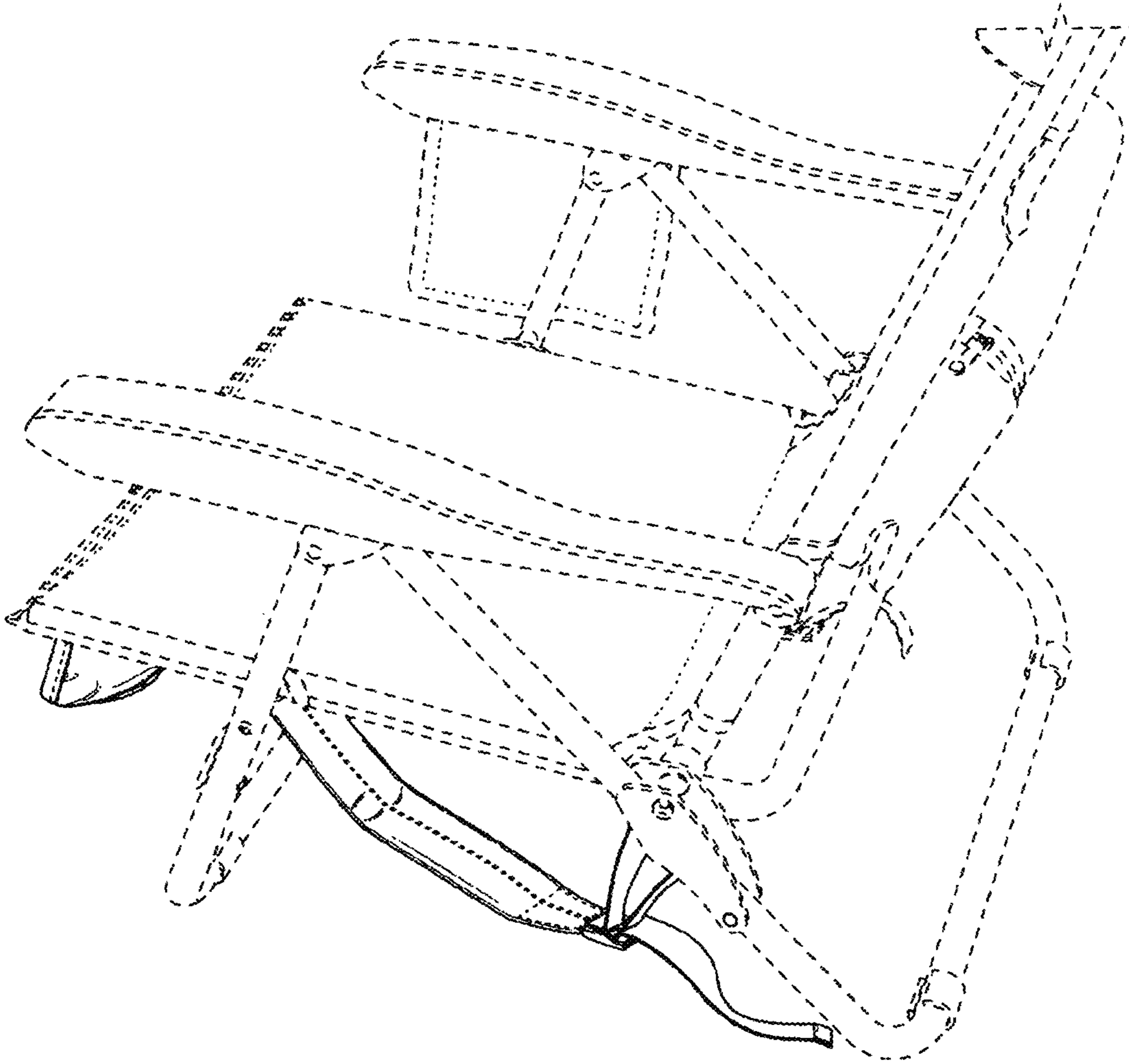


FIG. 4

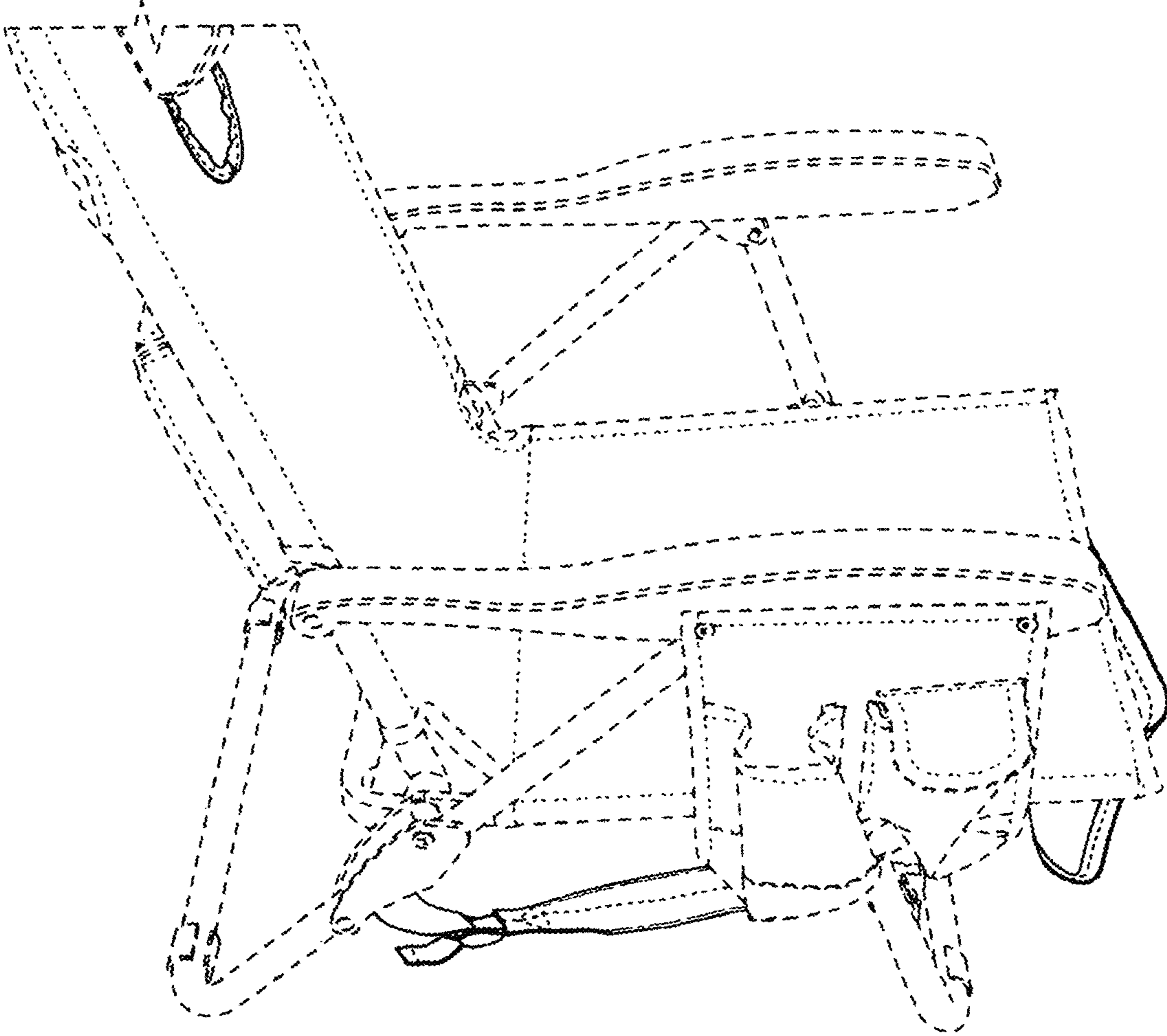


FIG. 5

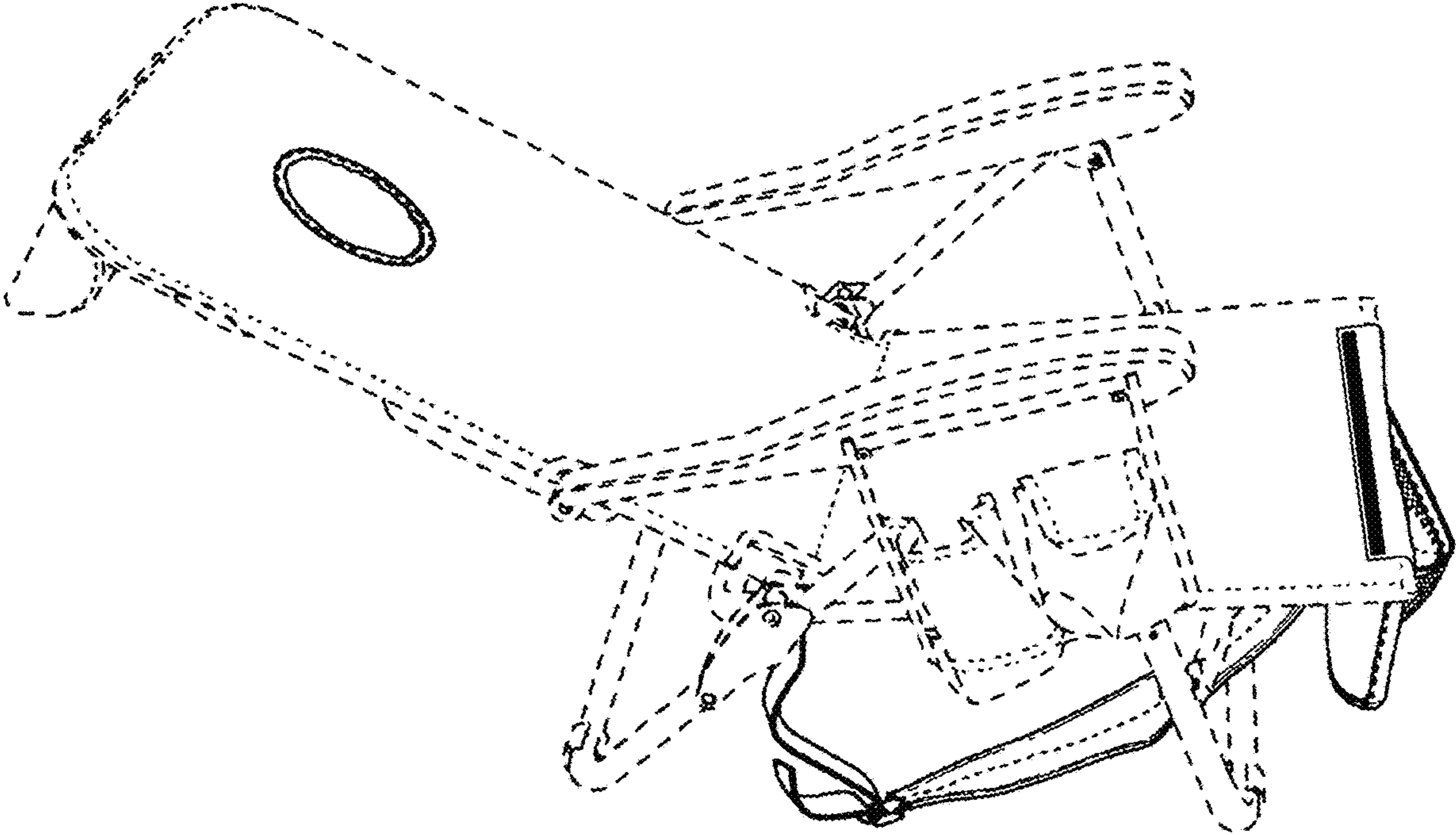


FIG. 6

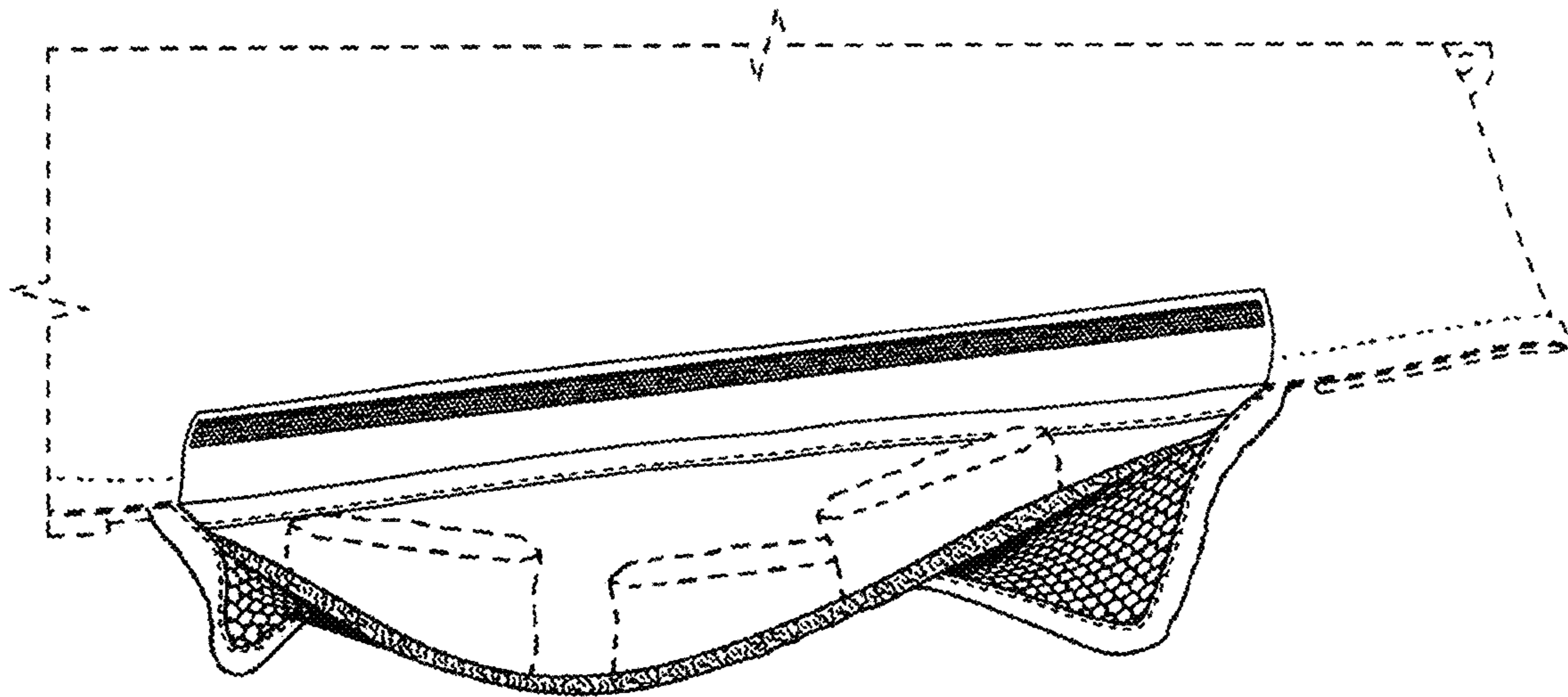


FIG. 7

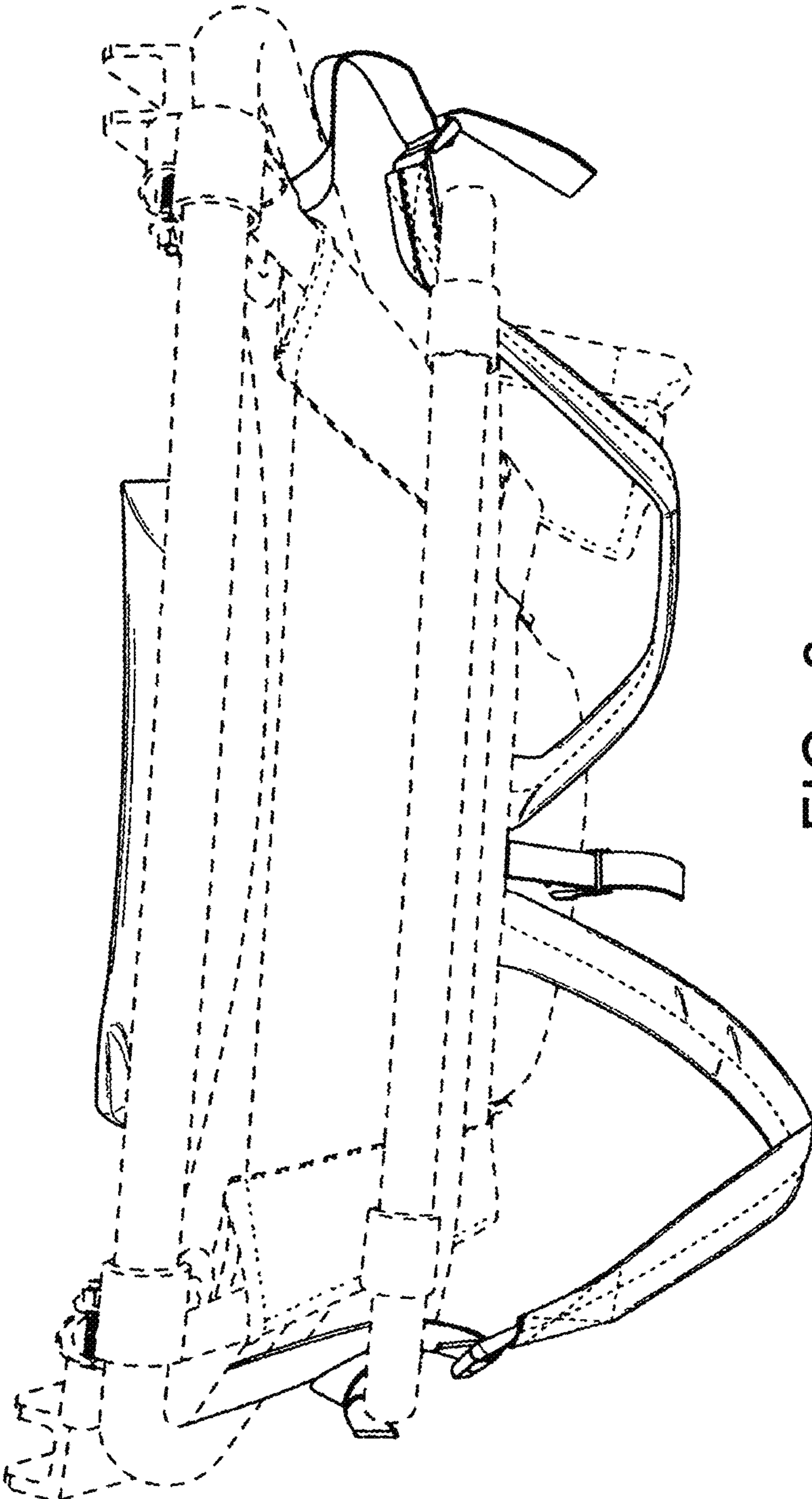


FIG. 8

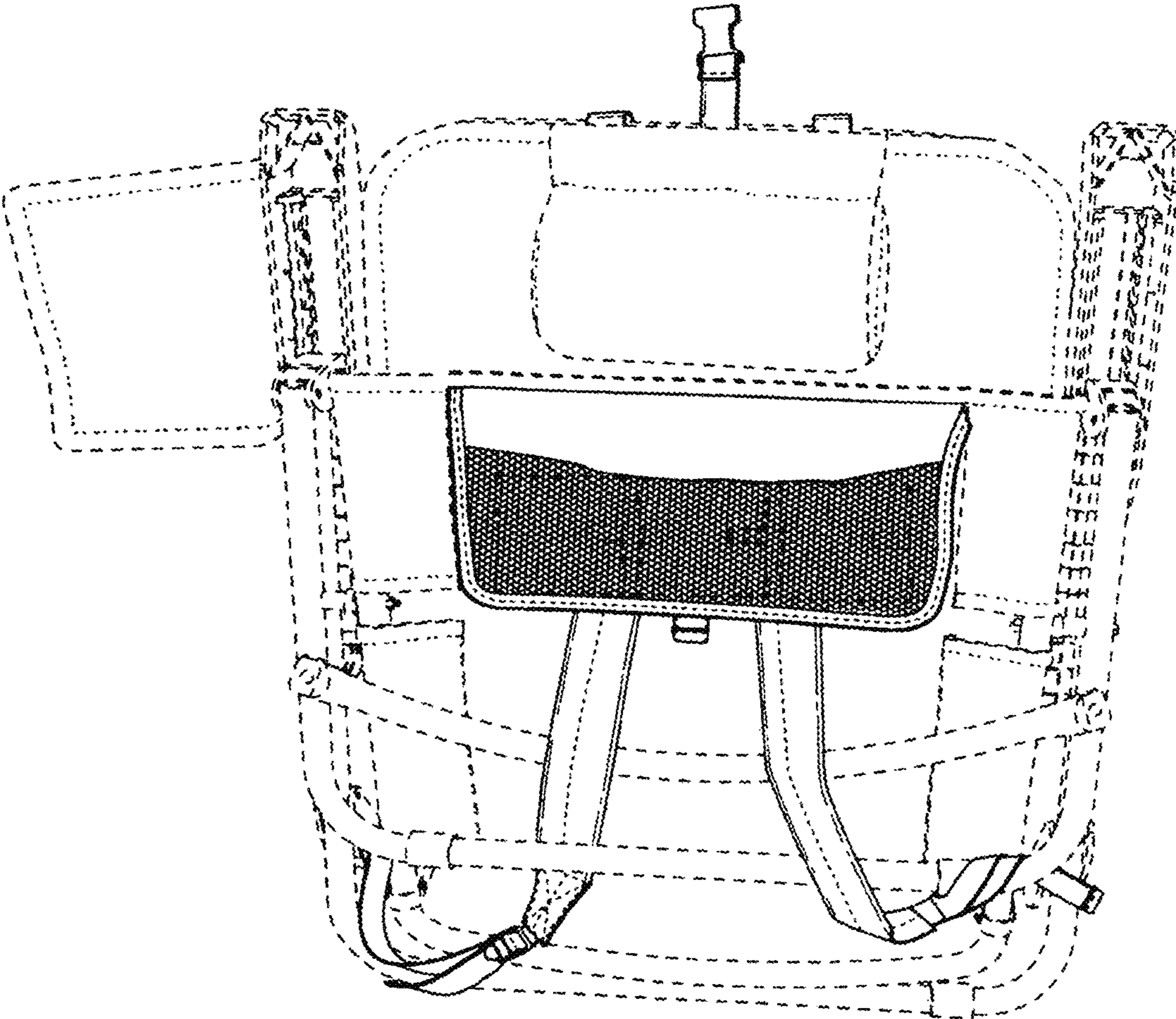


FIG. 9

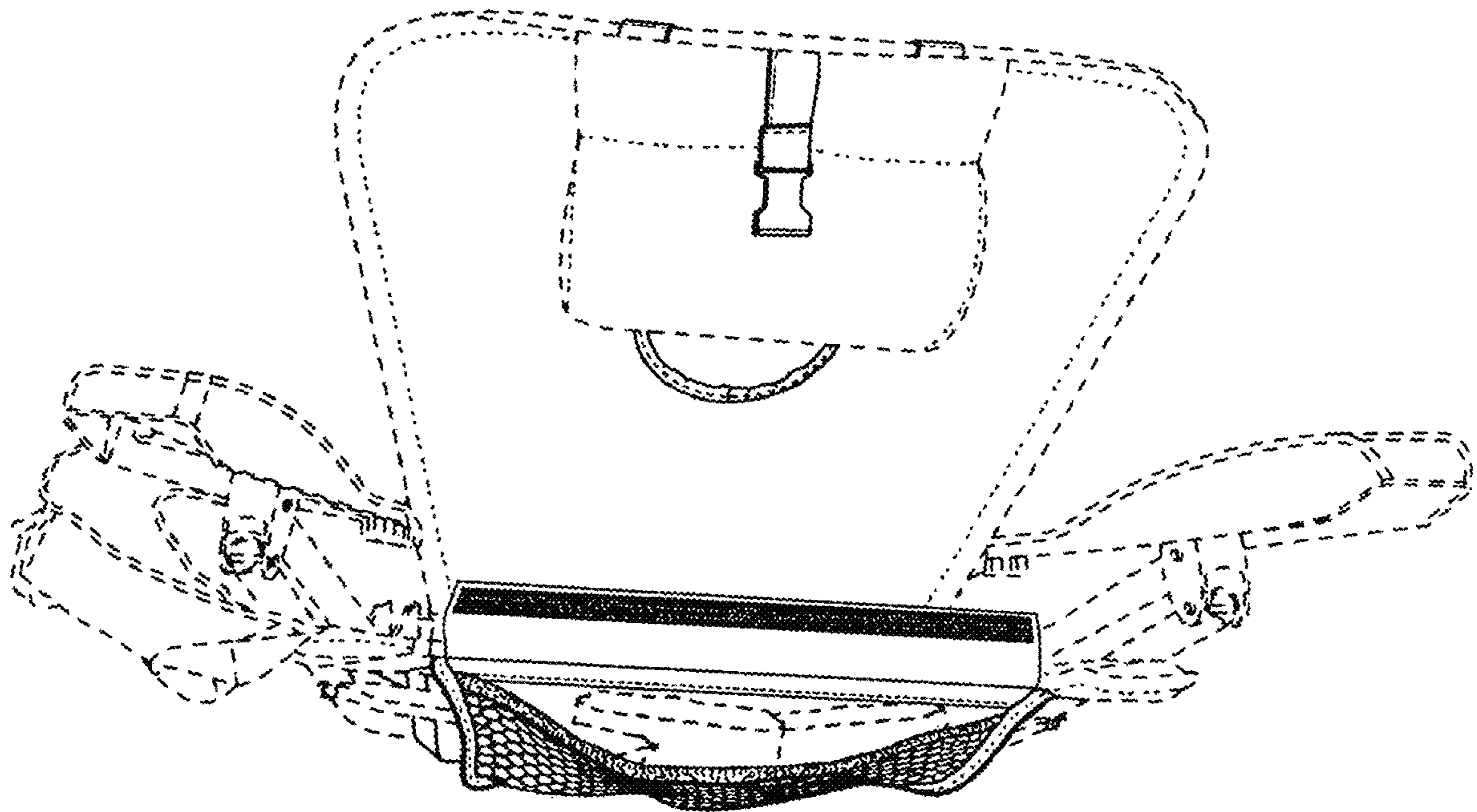


FIG. 10

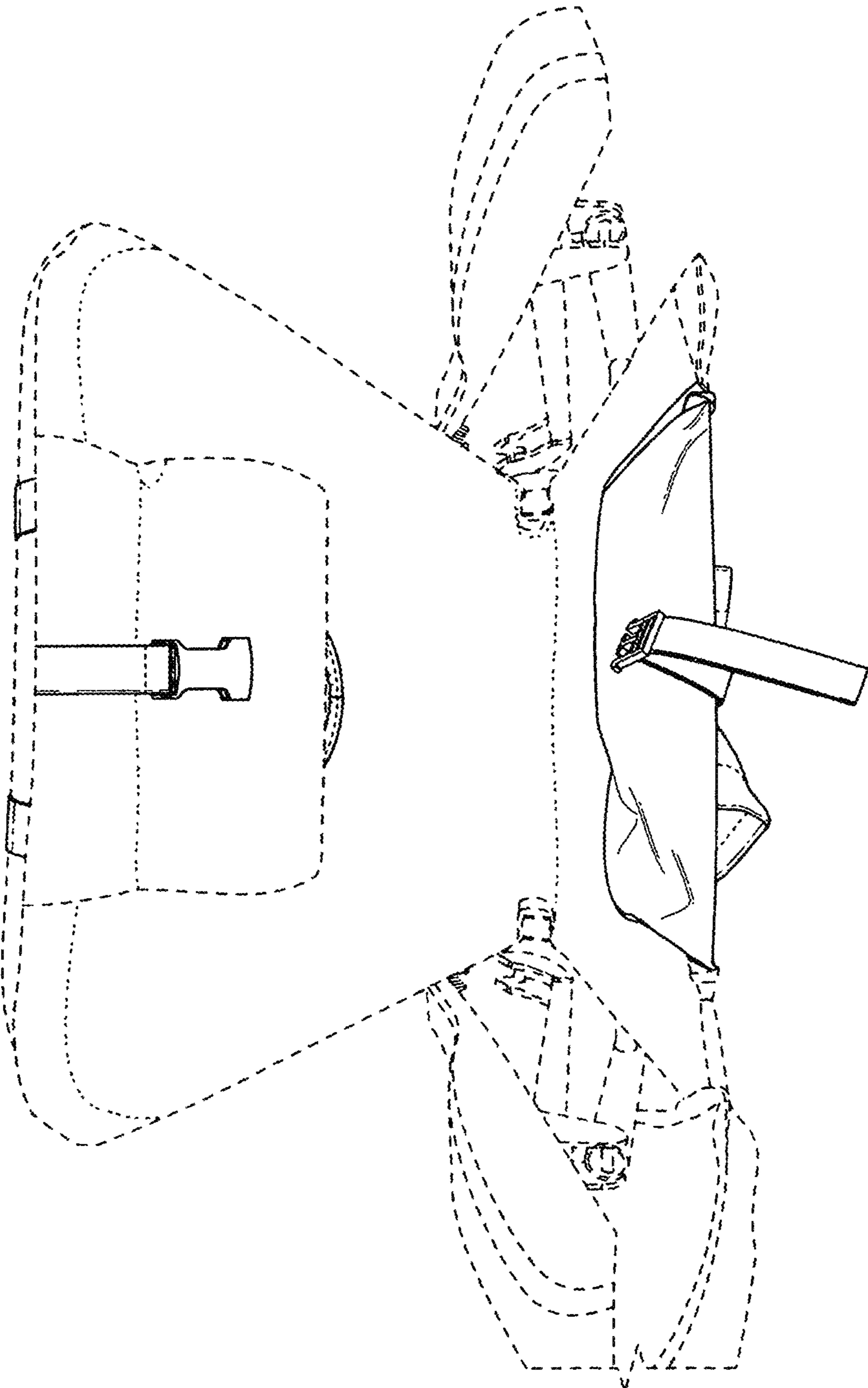


FIG. 11

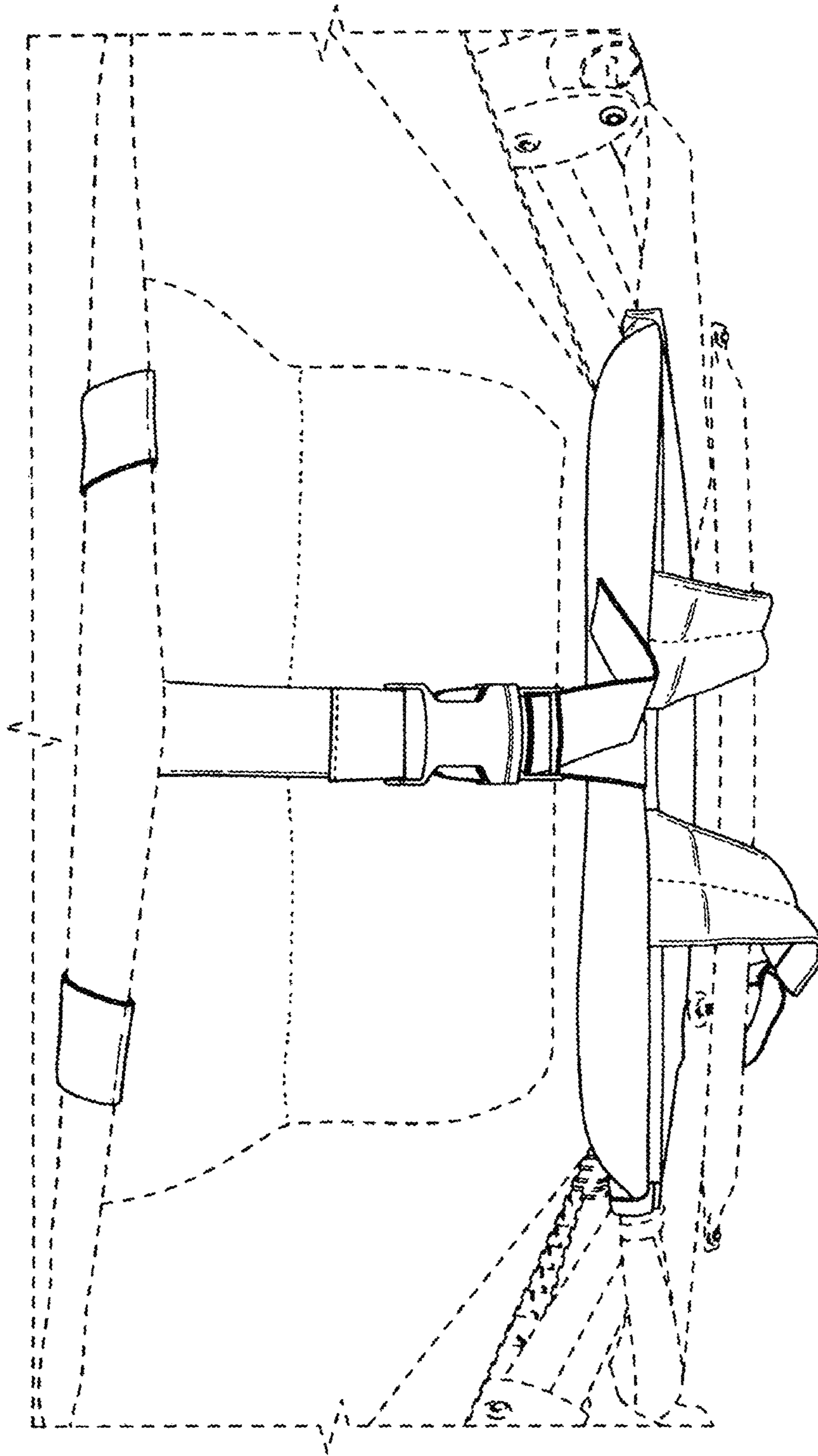


FIG. 12

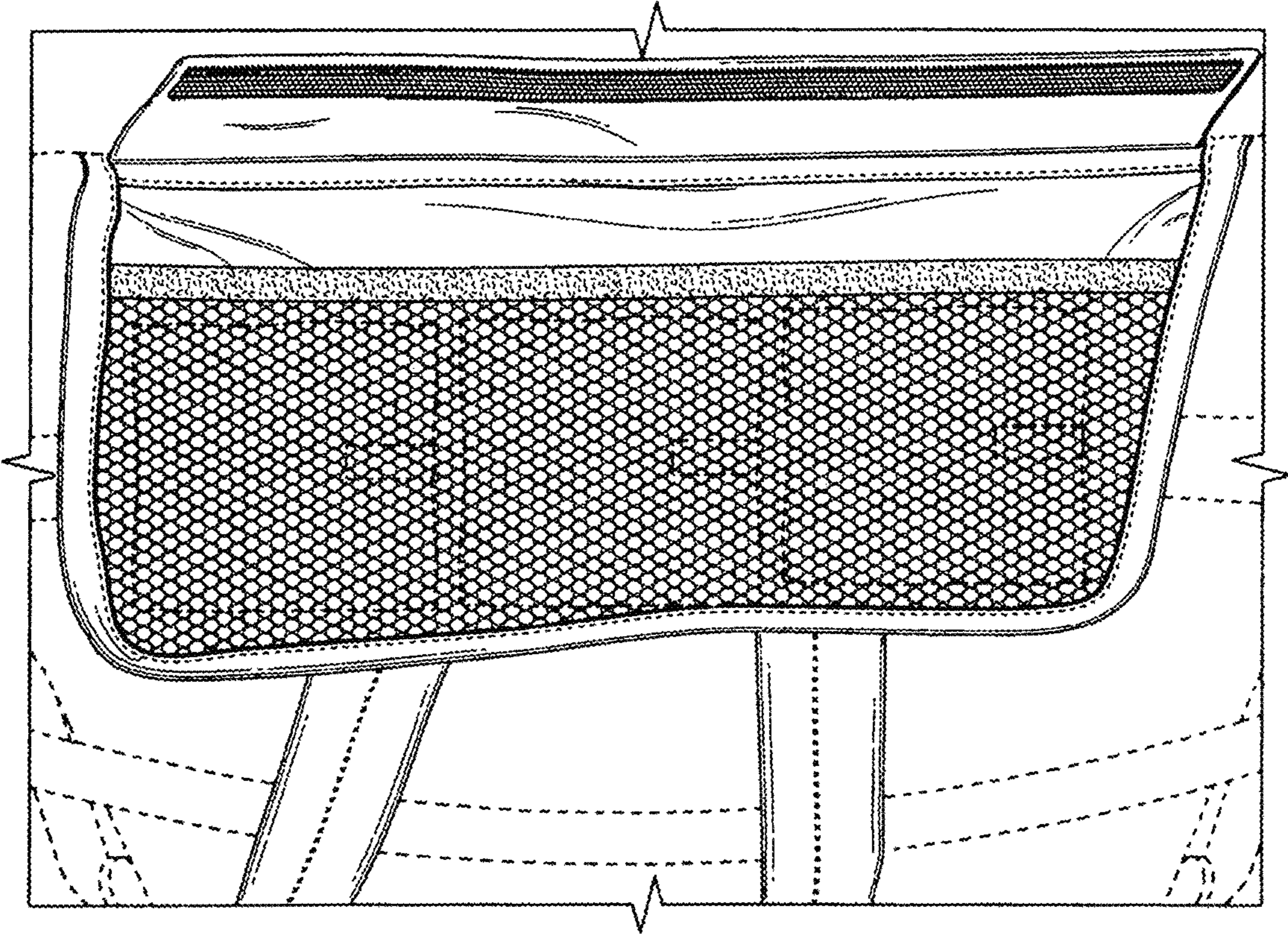


FIG. 13

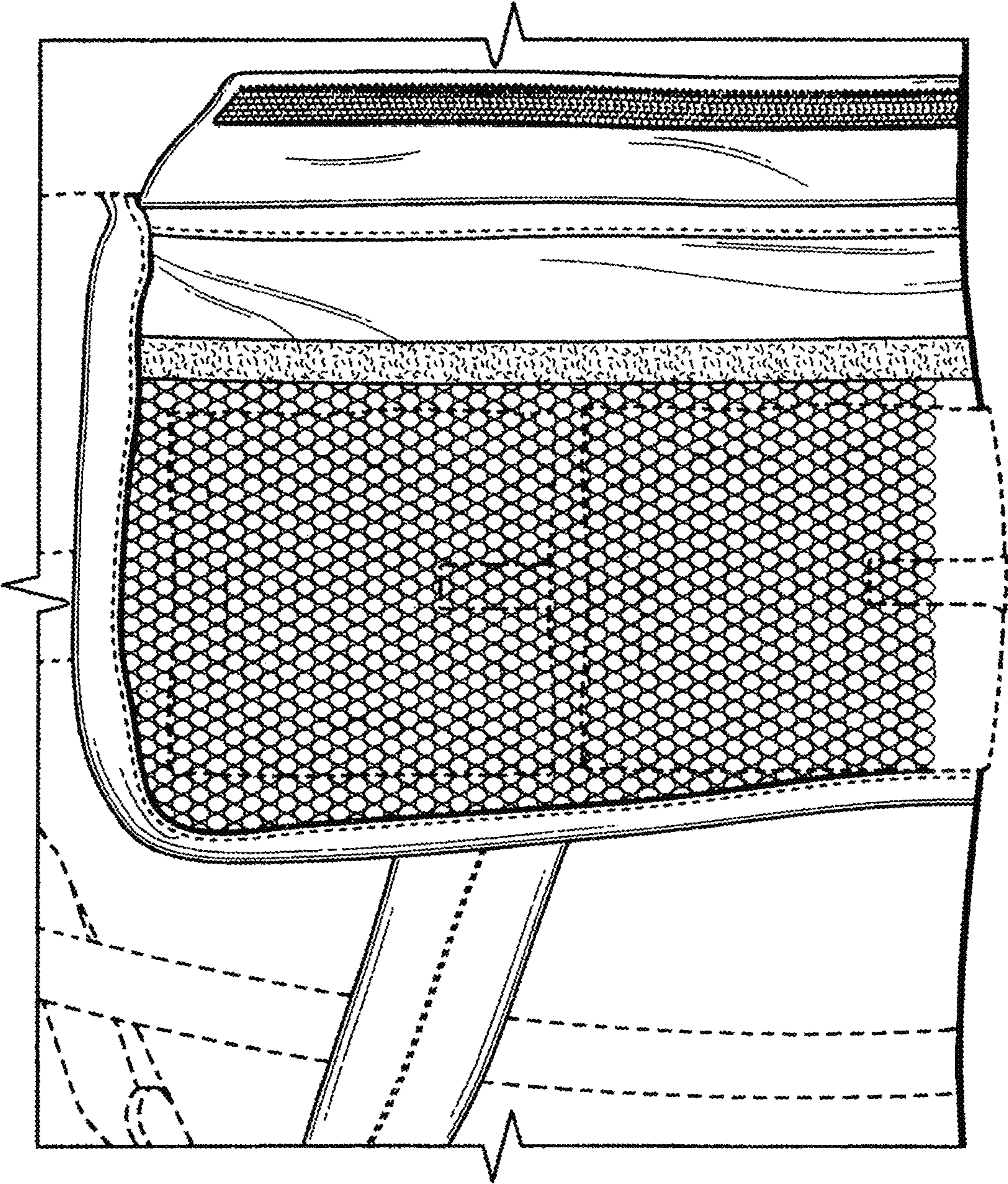


FIG. 14

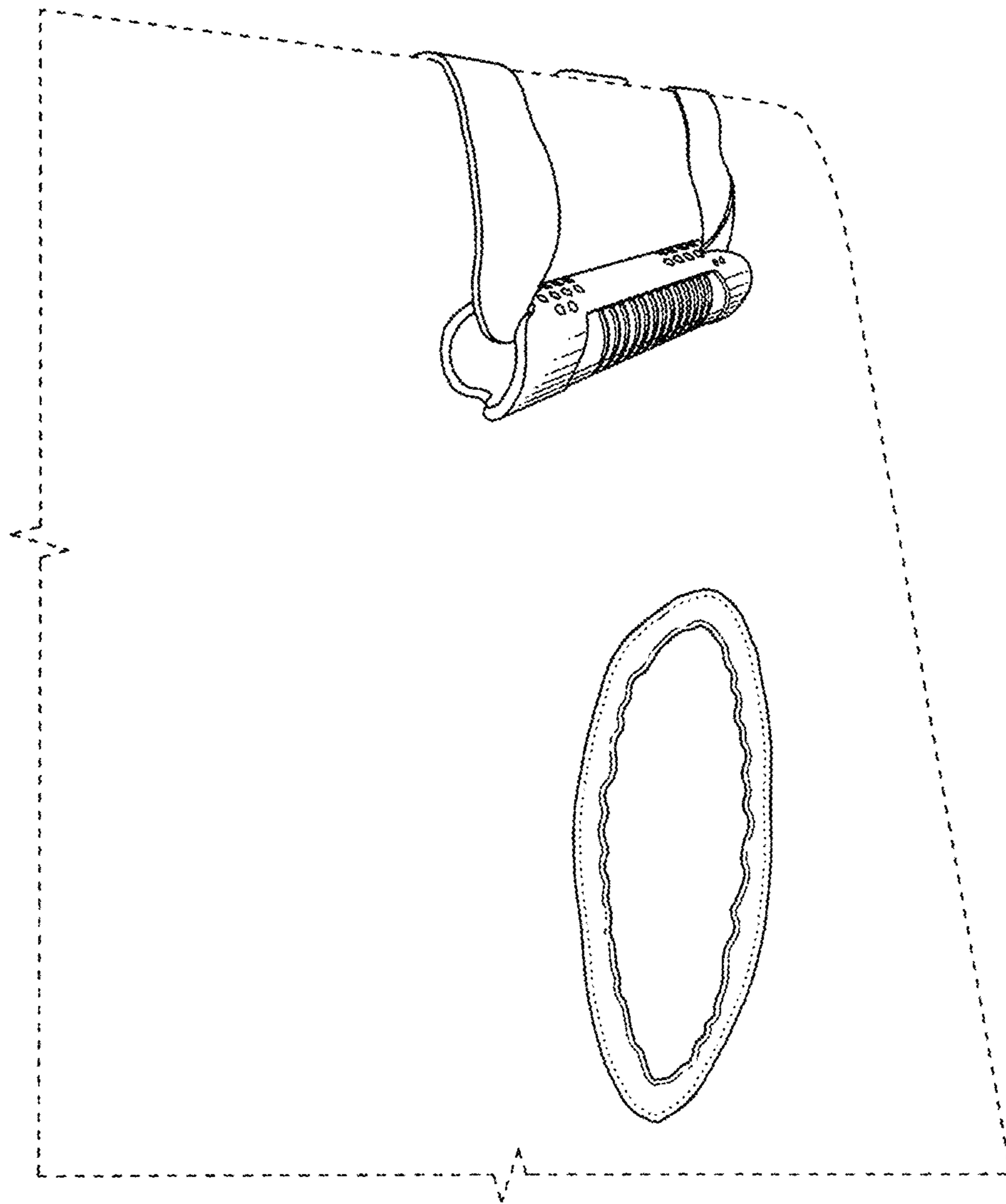


FIG. 15