



US00D981116S

(12) **United States Design Patent** (10) **Patent No.:** **US D981,116 S**  
**Zou** (45) **Date of Patent:** **\*\* Mar. 21, 2023**

(54) **PHOTO FRAME**

(71) Applicant: **Dongguan Dedao Cross-Border E-Commerce Co., Ltd.**, Guangdong (CN)

(72) Inventor: **XiongWei Zou**, Guangdong (CN)

(73) Assignee: **Dongguan Dedao Cross-Border E-Commerce Co., Ltd.**, Guangdong (CN)

(\*\*) Term: **15 Years**

(21) Appl. No.: **29/809,542**

(22) Filed: **Sep. 28, 2021**

(51) **LOC (14) Cl.** ..... **06-07**

(52) **U.S. Cl.**  
USPC ..... **D6/300**

(58) **Field of Classification Search**  
USPC ..... D6/300, 301, 302, 303, 304, 305, 306, D6/307, 308, 309, 310, 311, 312, 313, D6/314  
CPC ..... A47G 1/06; A47G 1/0605; A47G 1/0616; A47G 1/0638; A47G 1/08; A47G 1/14; A47G 1/142; A47G 1/16; A47G 1/1613; A47G 2001/0688; A47G 2001/0694; A47G 2001/148; G09G 2380/16

See application file for complete search history.

(56) **References Cited**

**U.S. PATENT DOCUMENTS**

D282,024 S *	1/1986	Muranen .....	D6/311
D298,489 S *	11/1988	Sornborger .....	D6/300
D306,659 S *	3/1990	Mercandante .....	D6/300
D506,074 S *	6/2005	Chen .....	D6/300
D550,270 S *	9/2007	Astill .....	D16/241
D609,018 S *	2/2010	Tzeng .....	D14/371
D767,288 S *	9/2016	McMahon .....	D6/300

D925,239 S *	7/2021	Cai .....	D6/312
D951,659 S *	5/2022	Tang .....	D6/309
2012/0079751 A1 *	4/2012	Singer .....	A47G 1/06 40/721
2012/0285060 A1 *	11/2012	Gross .....	A47G 1/065 40/711

**FOREIGN PATENT DOCUMENTS**

CN 307344357 \* 5/2022

**OTHER PUBLICATIONS**

Nbyone 6X8 Picture frame [online], [site visited Nov. 2, 2022]. Available from internet, URL: <<https://www.amazon.com/NBYON-E-Picture-frames-Hanging-Decoration/dp/B09KM7FWKB/?th=1>> (Year: 2022).\*

\* cited by examiner

*Primary Examiner* — Cynthia Ramirez  
*Assistant Examiner* — Xavier Marti-Santos  
(74) *Attorney, Agent, or Firm* — ScienBiziP, P.C.

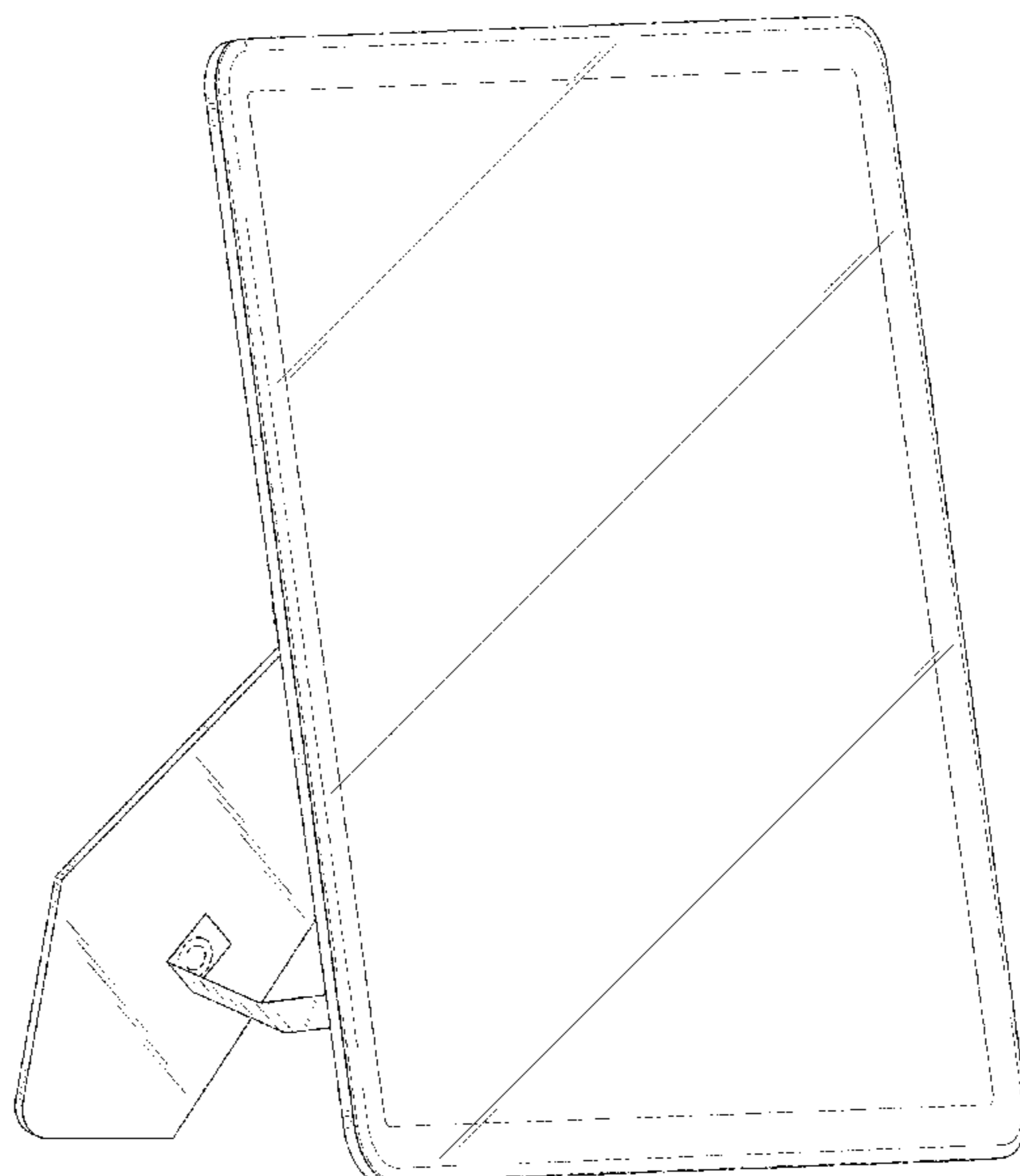
(57) **CLAIM**

The ornamental design for a photo frame, as shown and described.

**DESCRIPTION**

FIG. 1 is a front, left and top perspective view of a photo frame, showing my design.  
FIG. 2 is a rear, left and top perspective view thereof.  
FIG. 3 is a front elevation view thereof.  
FIG. 4 is a rear elevation view thereof.  
FIG. 5 is a left side elevation view thereof.  
FIG. 6 is a right side elevation view thereof.  
FIG. 7 is a top plan view thereof; and,  
FIG. 8 is a bottom plan view thereof.  
The broken lines shown in the drawings are included for the purpose of illustrating portions of the photo frame that form no part of the claimed design.

**1 Claim, 8 Drawing Sheets**



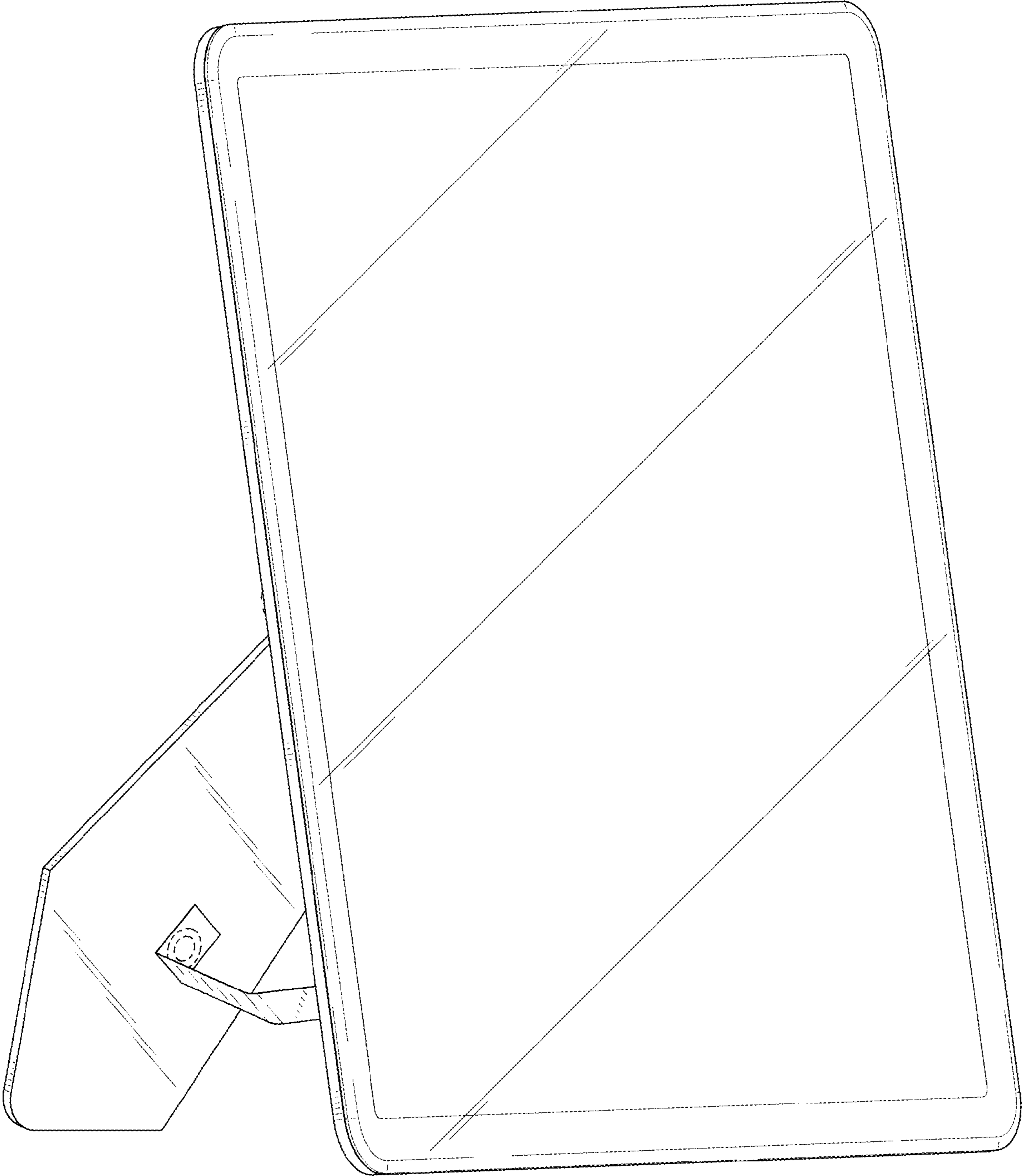


FIG. 1

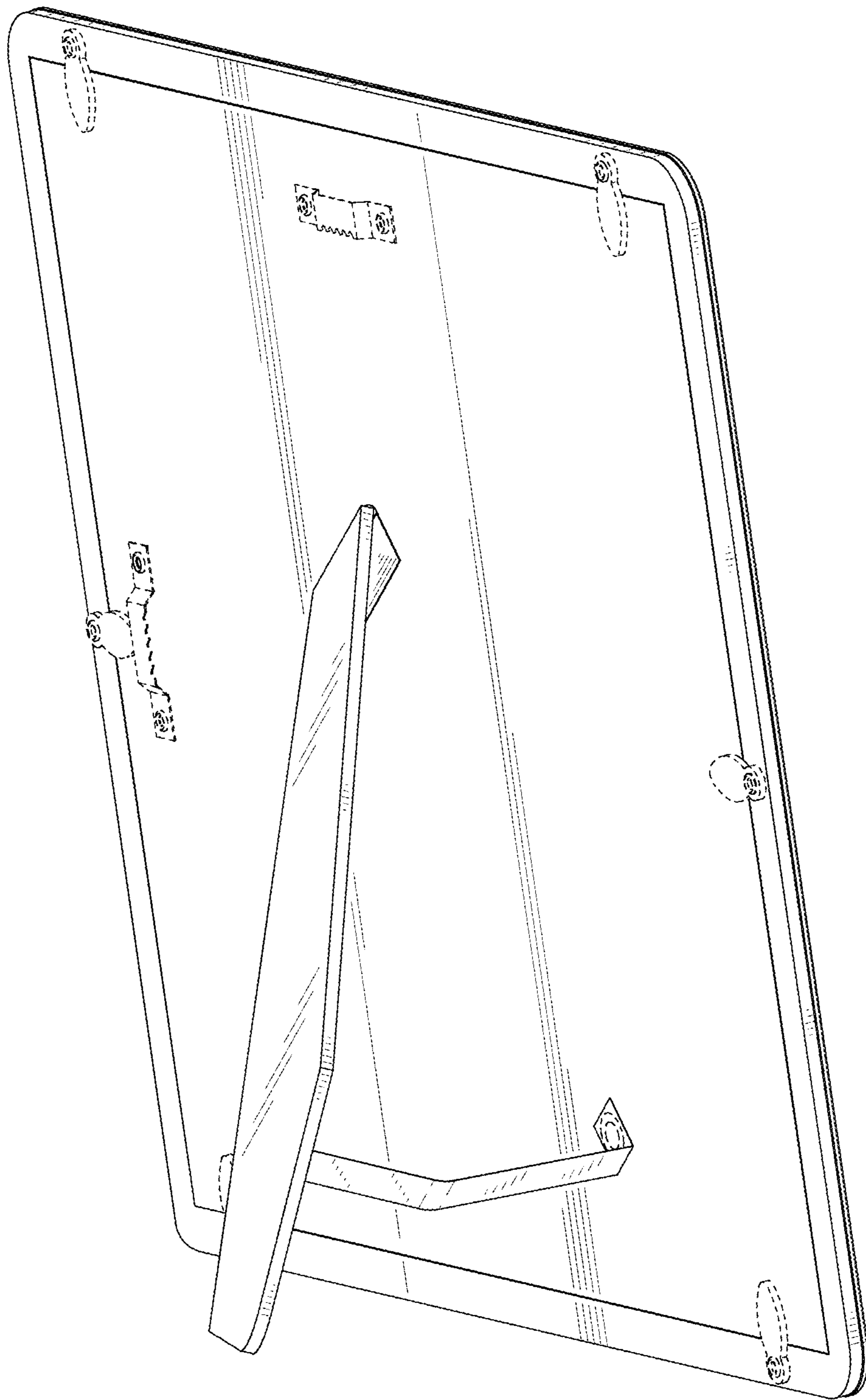


FIG. 2

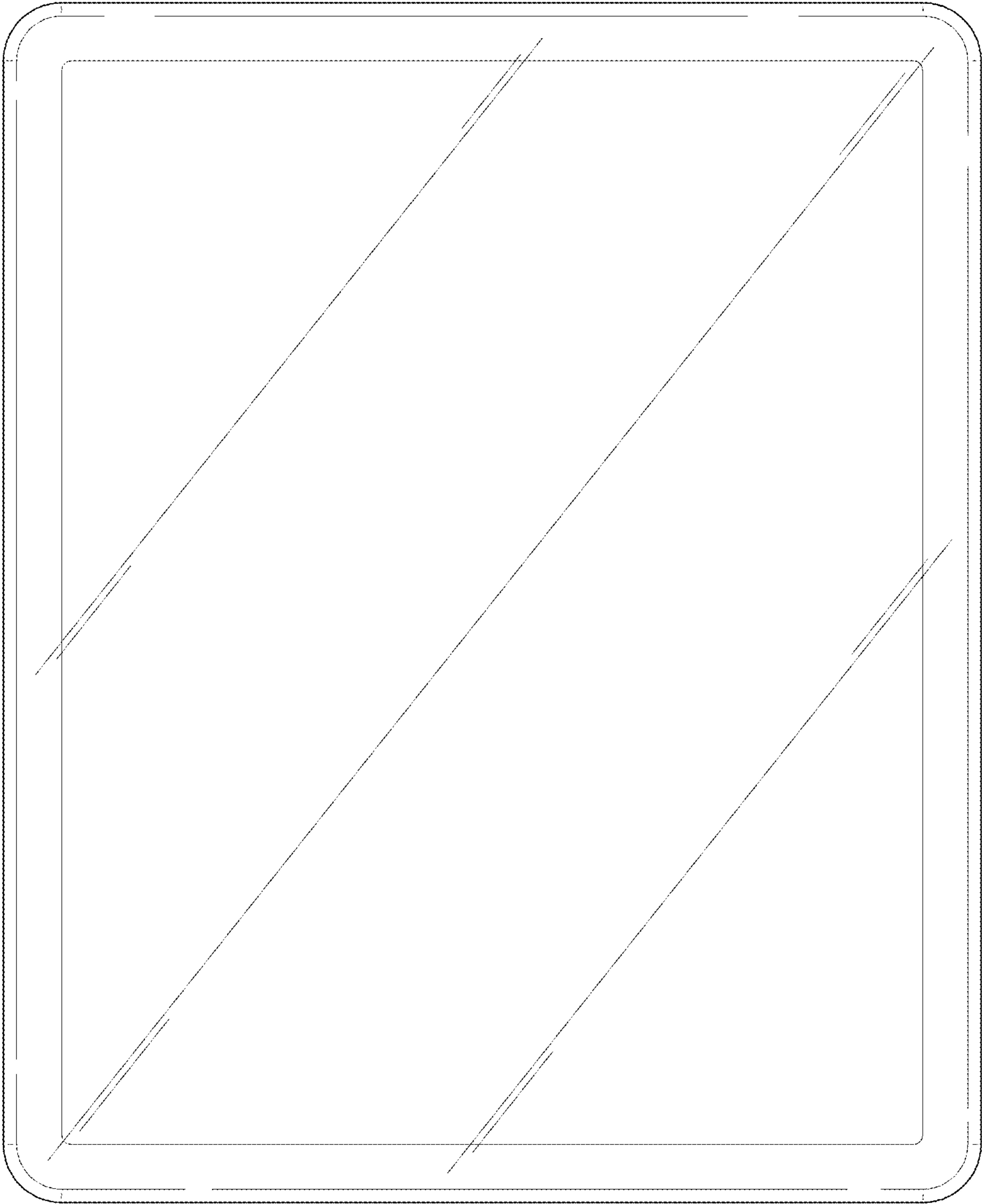


FIG. 3

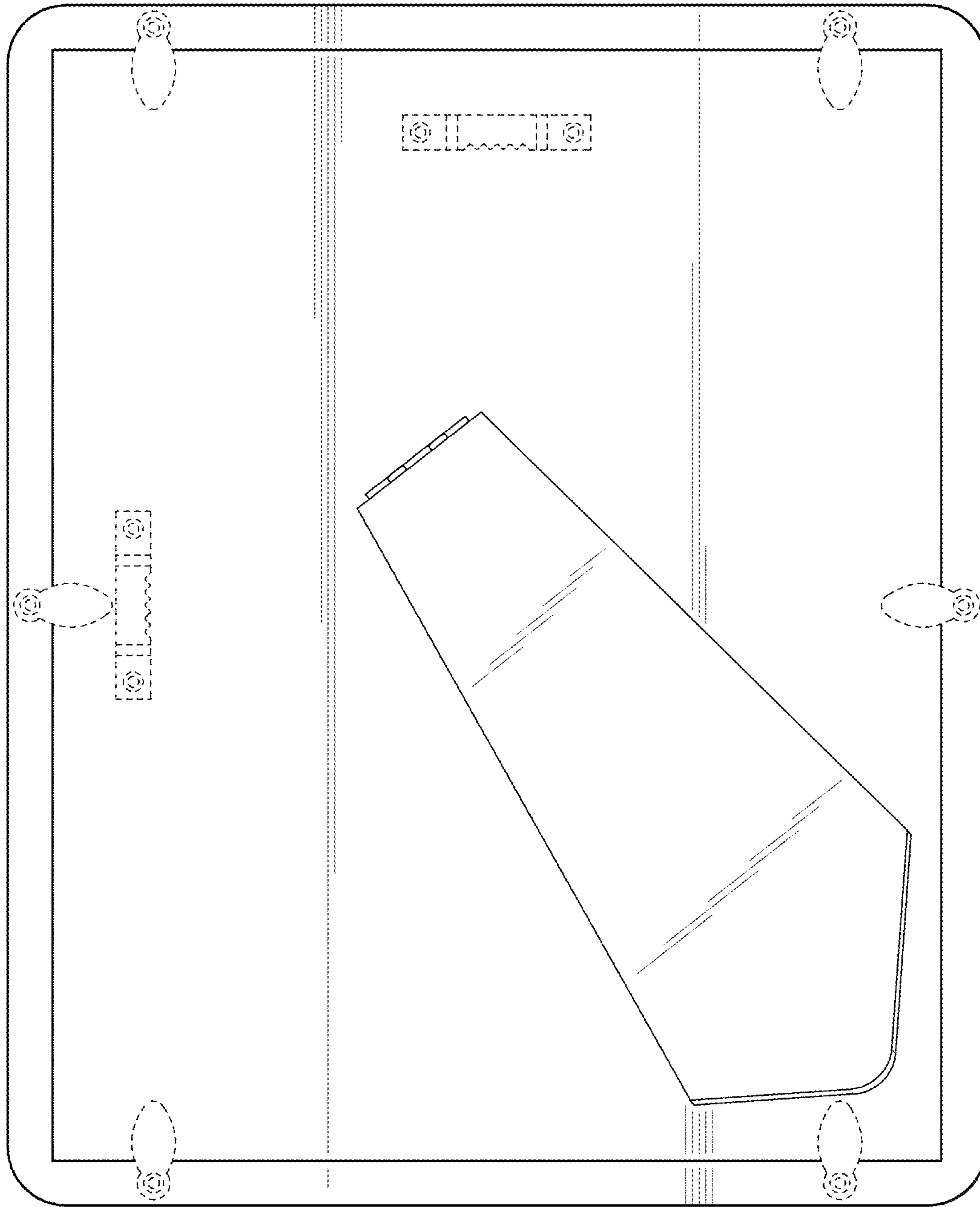


FIG. 4

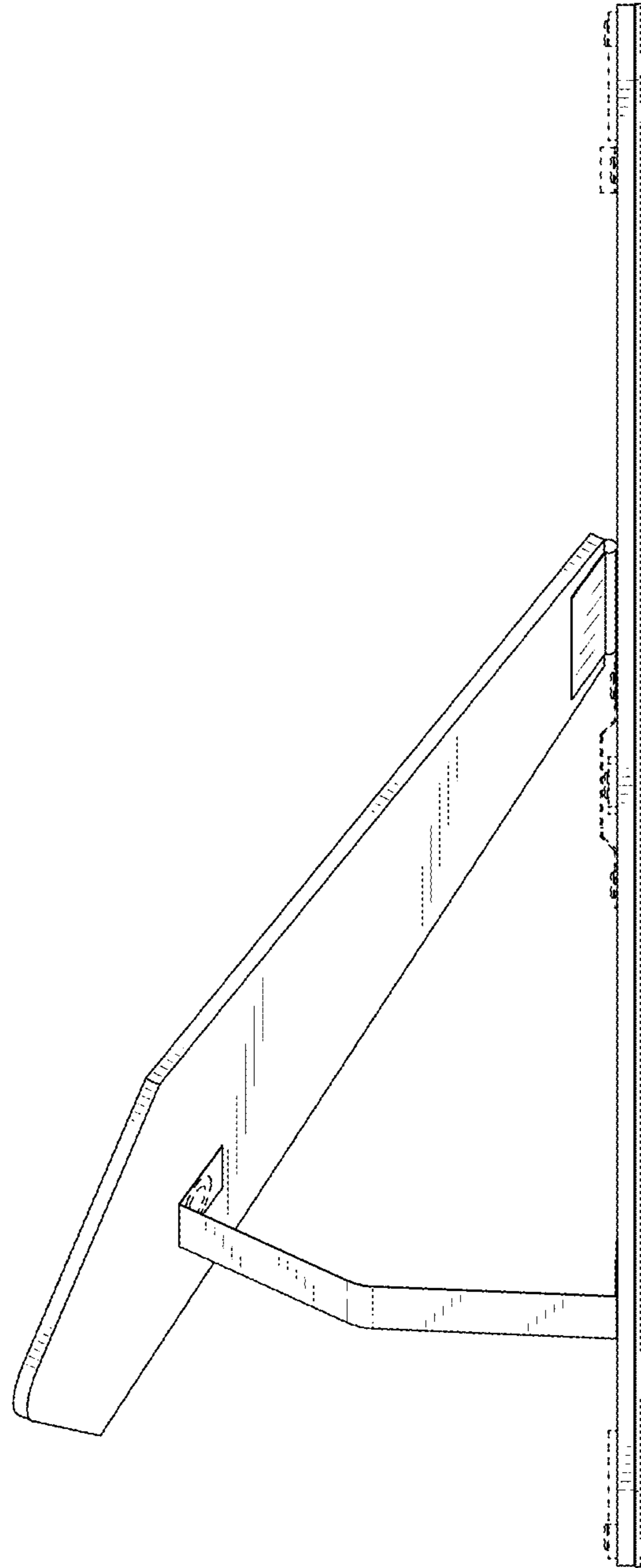


FIG. 5

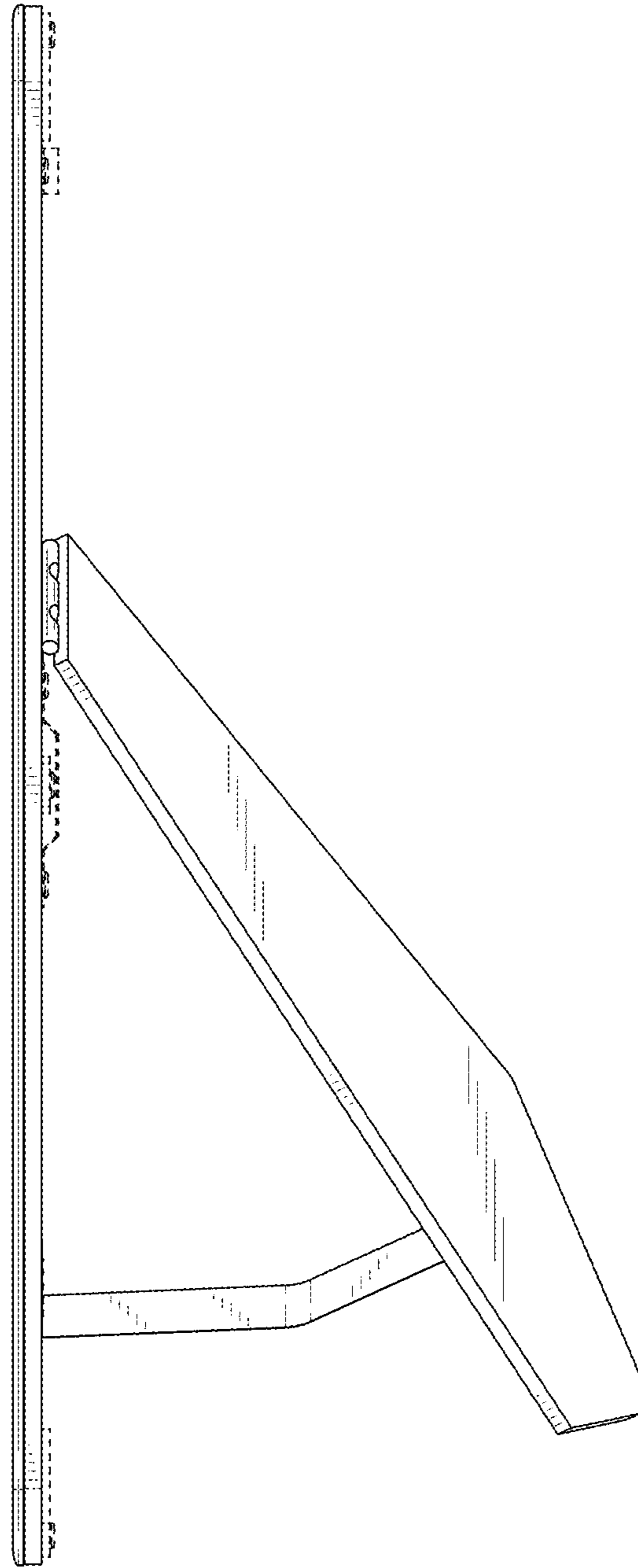


FIG. 6

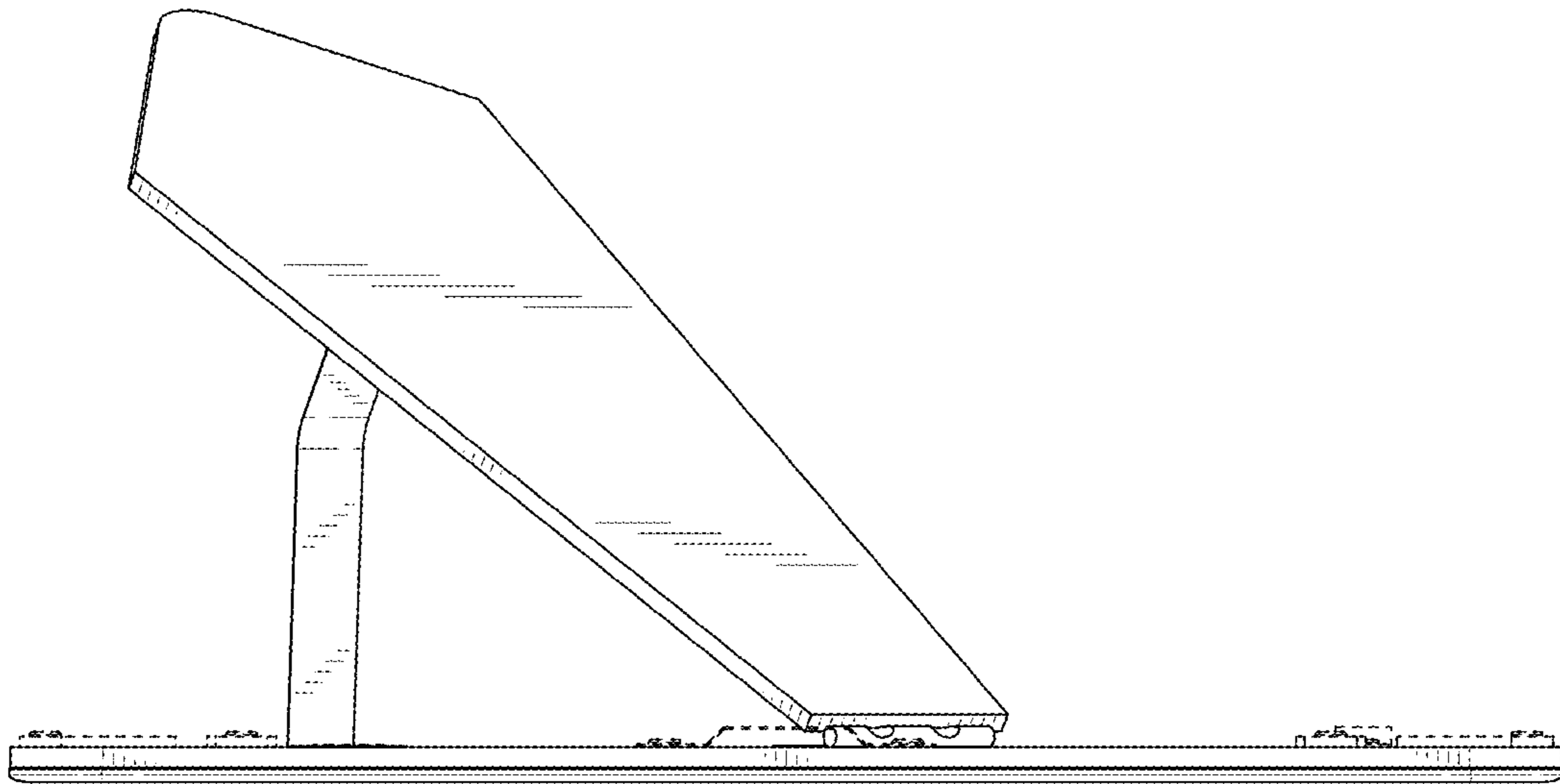


FIG. 7



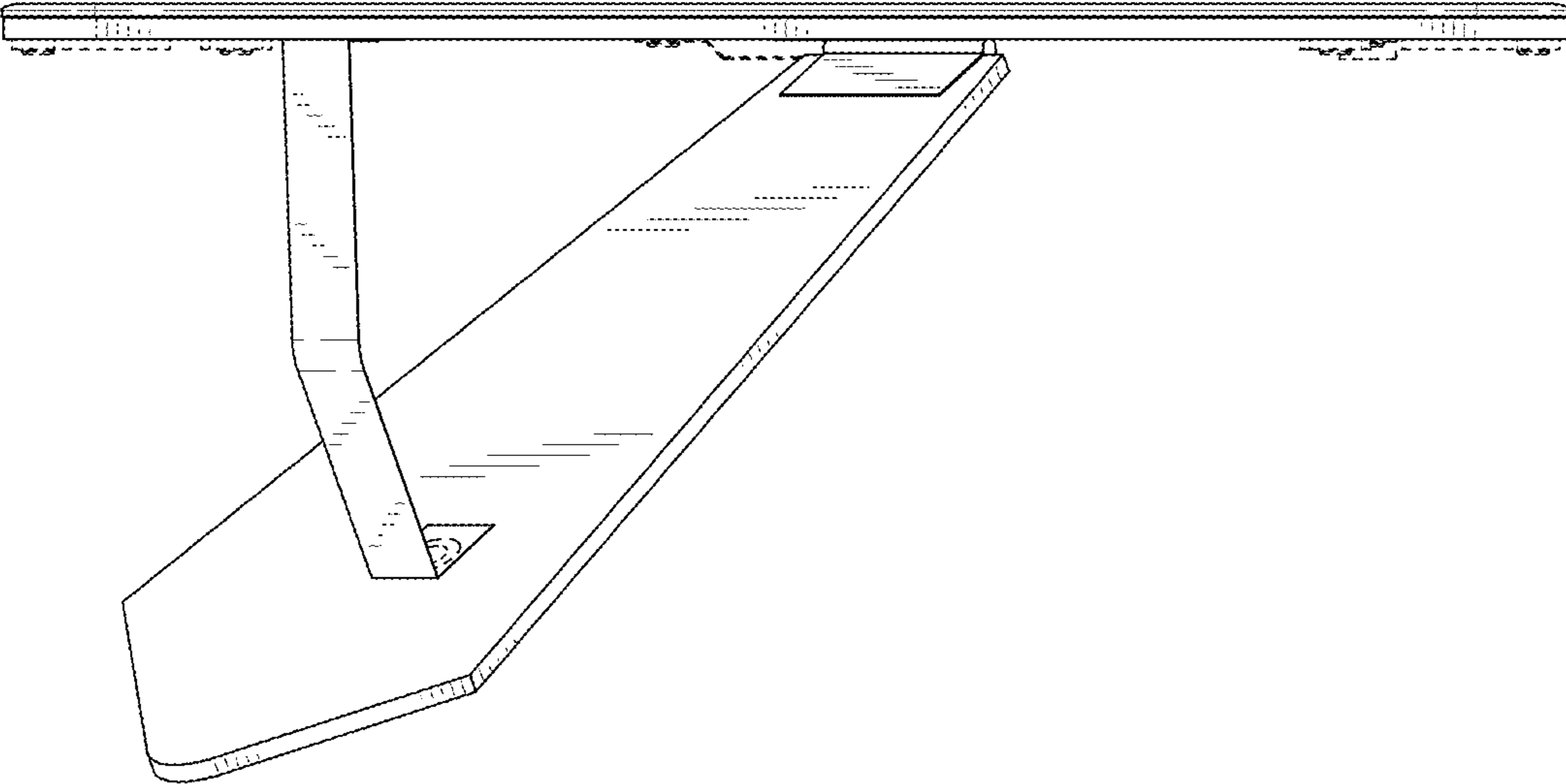


FIG. 8