



US00D981112S

(12) **United States Design Patent**
Friesen

(10) **Patent No.:** **US D981,112 S**
(45) **Date of Patent:** **** Mar. 21, 2023**

(54) **WEIGHT CLEANING BRUSH INSERT**
(71) Applicant: **Freezn Fitness LLC**, Eagle River, AK (US)
(72) Inventor: **Kim Friesen**, Eagle River, AK (US)
(73) Assignee: **FREEZN FITNESS LLC**, Eagle River, AK (US)
(**) Term: **15 Years**

D363,378 S * 10/1995 Fredricks D4/130
D385,061 S * 10/1997 Malik D28/41
D764,099 S * 8/2016 Boss A46B 9/02
D28/41
D870,378 S * 12/2019 Lash A46B 7/042
D28/39
D922,708 S * 6/2021 Friesen D32/40
D941,529 S * 1/2022 Johnson A46B 13/001
D28/42
D942,076 S * 1/2022 Johnson A46B 5/0012
D28/42
2019/0059568 A1 * 2/2019 Orlando A46B 7/042
(Continued)

(21) Appl. No.: **29/787,879**

(22) Filed: **Jun. 9, 2021**

(51) **LOC (14) Cl.** **04-01**

(52) **U.S. Cl.**
USPC **D4/119; D32/40; D4/130**

(58) **Field of Classification Search**
USPC D4/119, 120, 127, 128, 130, 132, 133, D4/136, 138, 199; D28/39, 41, 42; D11/200, 220; D7/602; D32/40
CPC .. A46B 1/00; A46B 3/00; A46B 3/005; A46B 3/02; A46B 3/04; A46B 3/20; A46B 3/22; A46B 5/00; A46B 7/00; A46B 7/042; A46B 7/06; A46B 7/10; A46B 9/00; A46B 9/02; A46B 9/023; A46B 9/025; A46B 9/028; A46B 2200/00; A46B 2200/30; A46B 2200/3013; A46B 2200/3073; A46B 2200/40; A46B 2200/405; A46B 11/00; A46B 11/0006; A46B 11/0013; A46B 11/0062; A46B 13/00; A46B 13/001; A46B 13/003; A46B 13/005; A46B 13/006; A46B 13/08; A46B 15/00; A46B 15/0097

See application file for complete search history.

(56) **References Cited**

U.S. PATENT DOCUMENTS

602,193 A * 4/1898 Neuert A46B 9/02
15/160
D325,472 S * 4/1992 Premack D4/130

OTHER PUBLICATIONS

Barbell Rescue, posted Jun. 14, 2021 [online], [retrieved Jan. 3, 2023]. Retrieved from internet, <https://www.facebook.com/barbellrescue/photos/pb.100064943130041.-2207520000./213645047270942/?type=3> (Year: 2021).*

(Continued)

Primary Examiner — Alison M Ofstun
Assistant Examiner — Evin Franklin George Ershock
(74) *Attorney, Agent, or Firm* — Nolan Heimann LLP; Adam Diamant

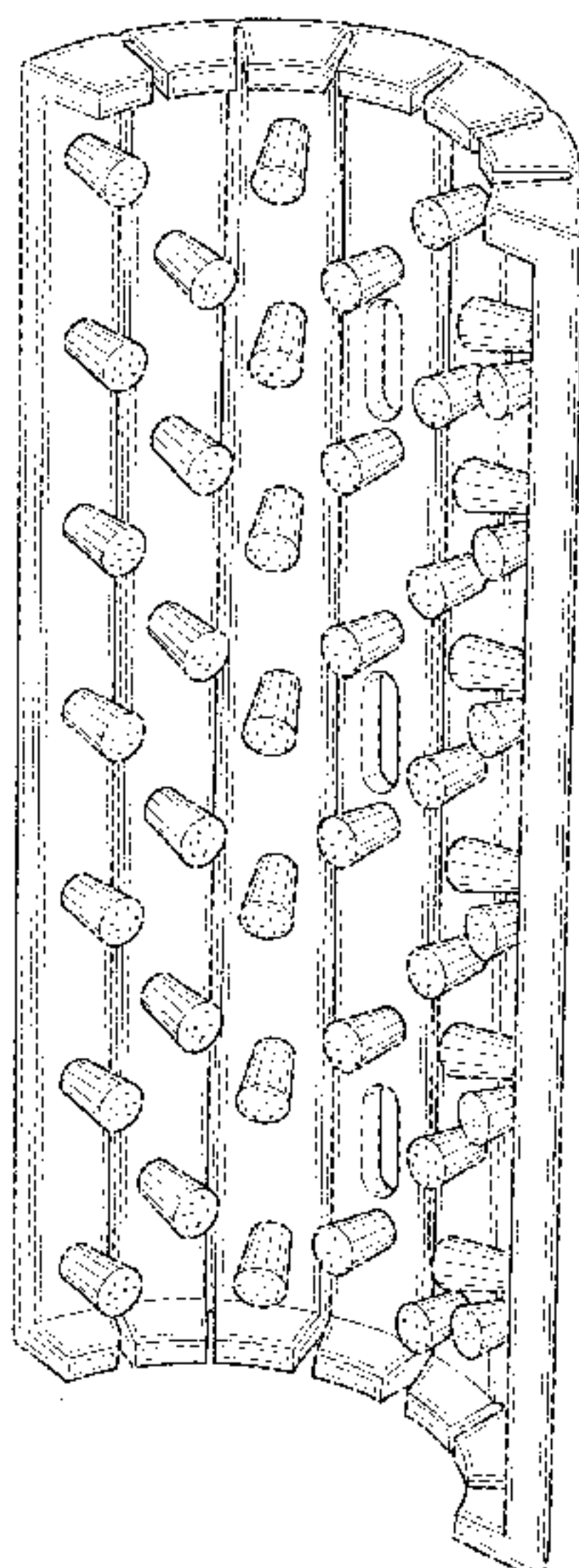
(57) **CLAIM**

The ornamental design for a weight cleaning brush insert, as shown and described.

DESCRIPTION

FIG. 1 is a front perspective view of a weight cleaning brush insert, showing my new design;
FIG. 2 is a front plan view thereof;
FIG. 3 is a rear plan view thereof;
FIG. 4 is a left plan view thereof;
FIG. 5 is a right plan view thereof;
FIG. 6 is a top plan view thereof; and,
FIG. 7 is a bottom plan view thereof.

1 Claim, 5 Drawing Sheets



(56)

References Cited

U.S. PATENT DOCUMENTS

2022/0312947 A1* 10/2022 Jung A46B 9/026

OTHER PUBLICATIONS

Barbell Rescue Nylon Brush, earliest review Jun. 3, 2022 [online], [retrieved Jan. 3, 2022]. Retrieved from internet, <https://barbellrescue.com/products/barbell-rescue-brush> (Year: 2022).*

Barbell Rescue Nylon Brush Barbell Cleaner, posting date unknown [online], [retrieved Jan. 3, 2022]. Retrieved from internet, <https://strengthwarehouseusa.com/products/barbell-rescue-nylon-brush-barbell-cleaner> (Year: 2023).*

* cited by examiner

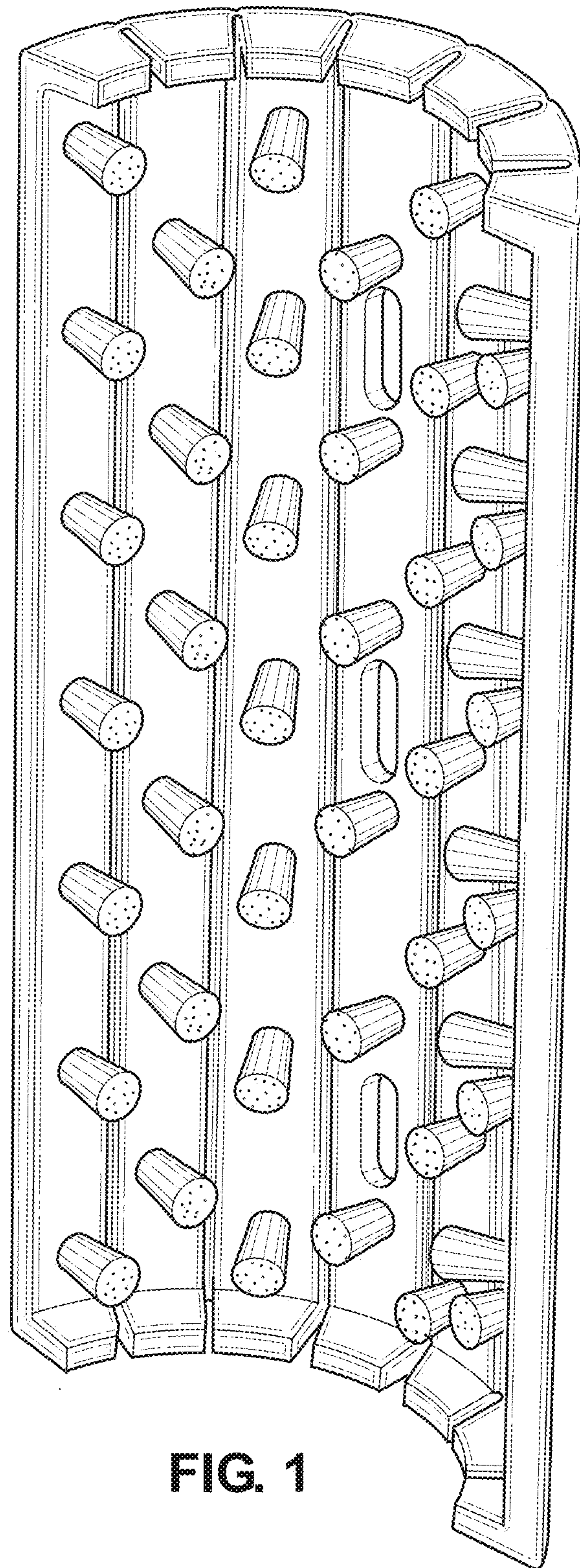


FIG. 1

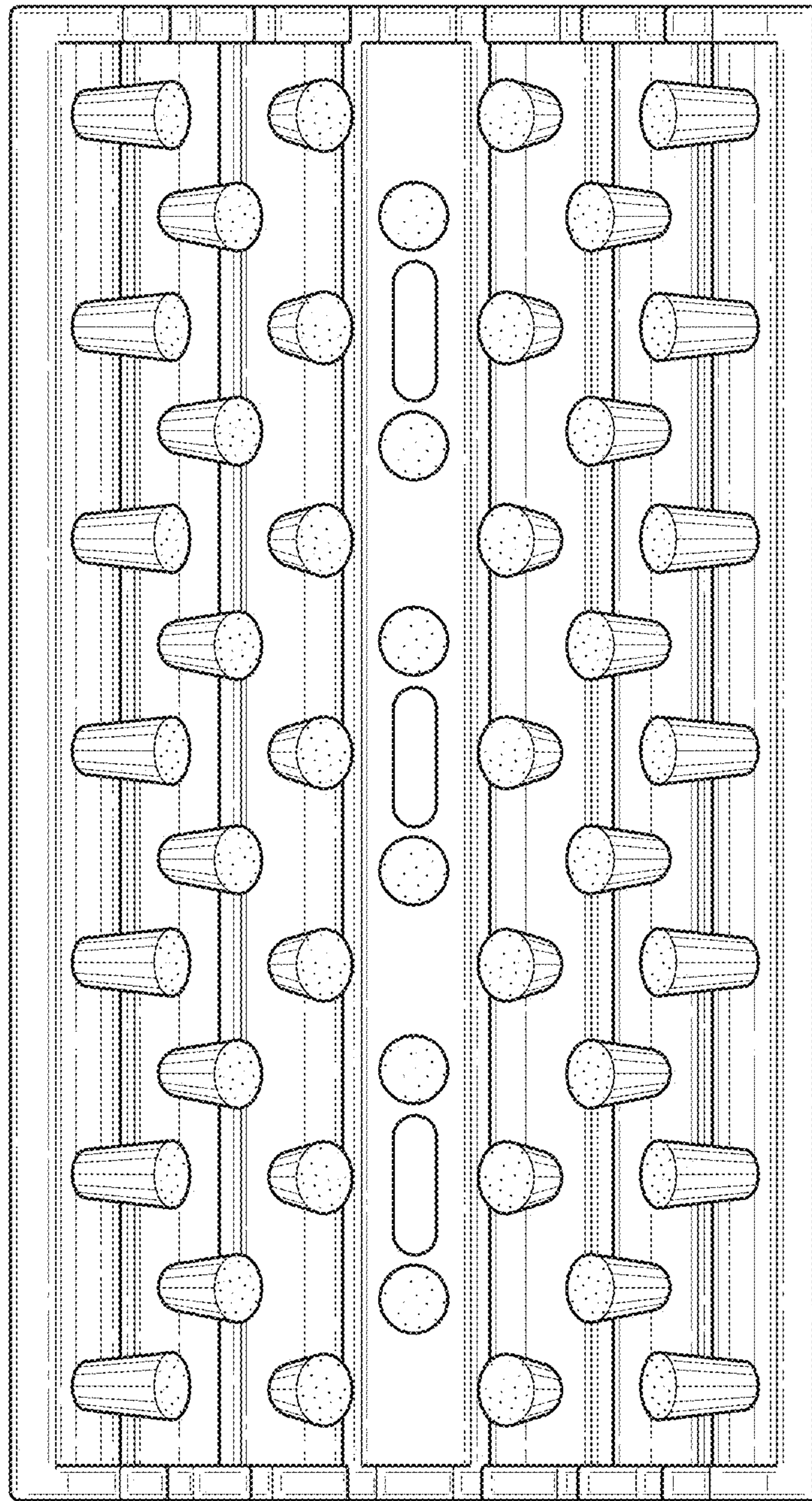


FIG. 2

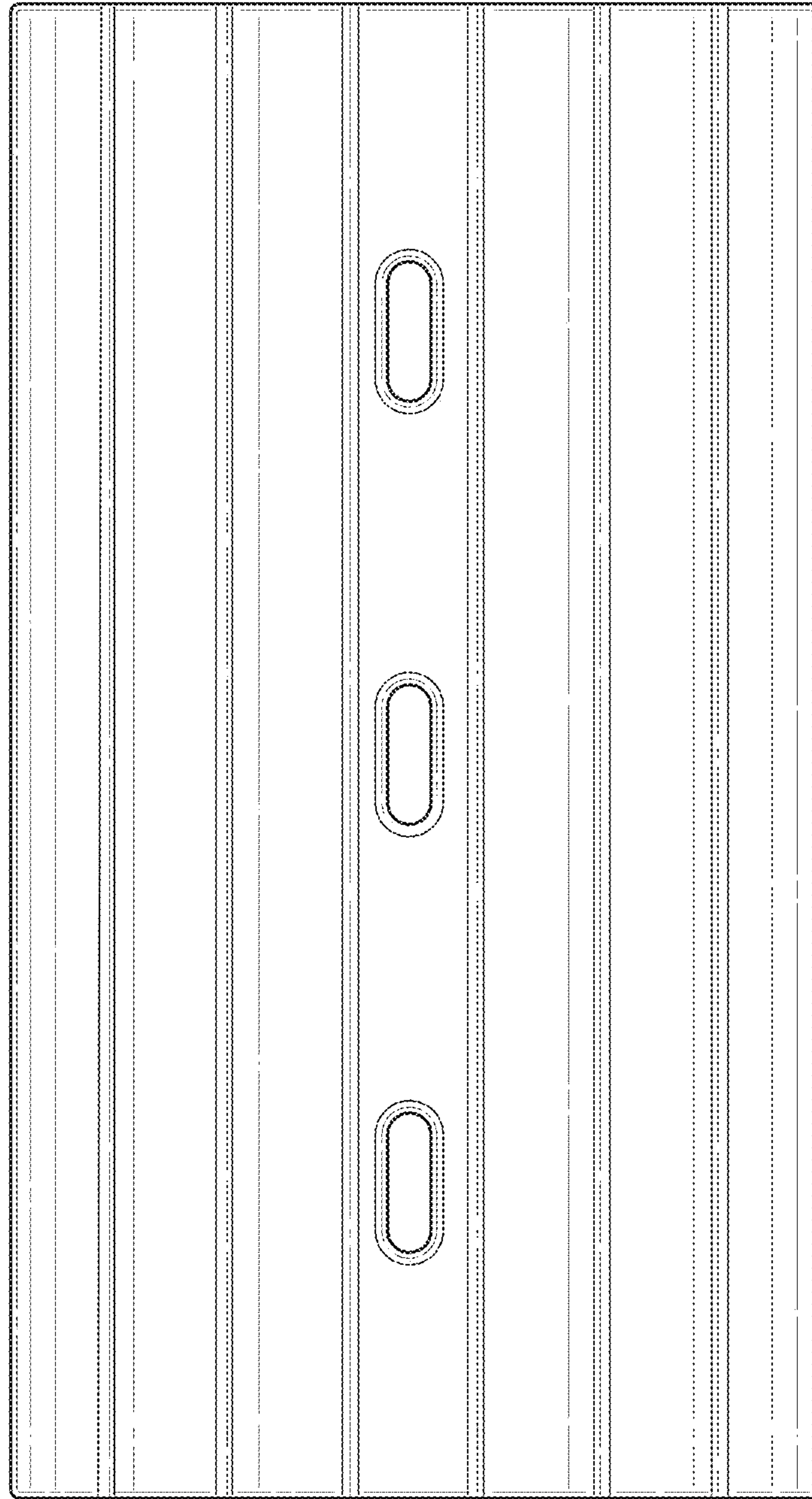


FIG. 3

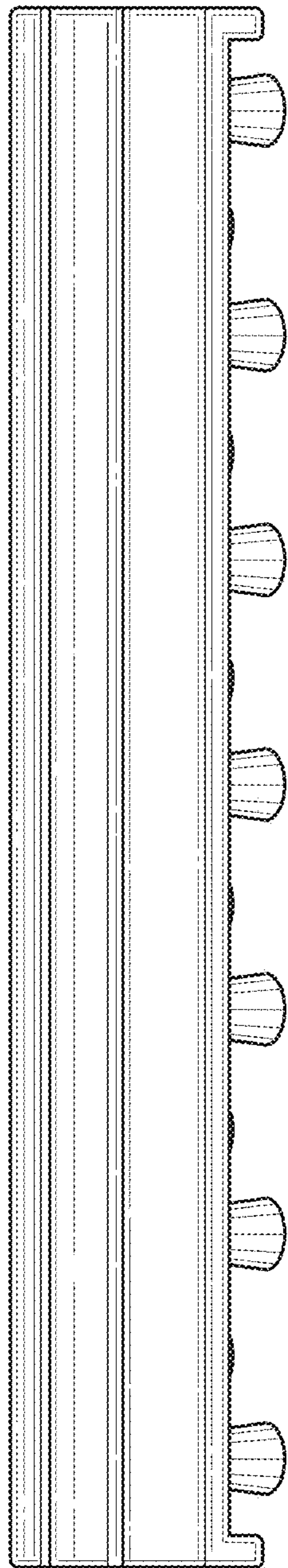


FIG. 4

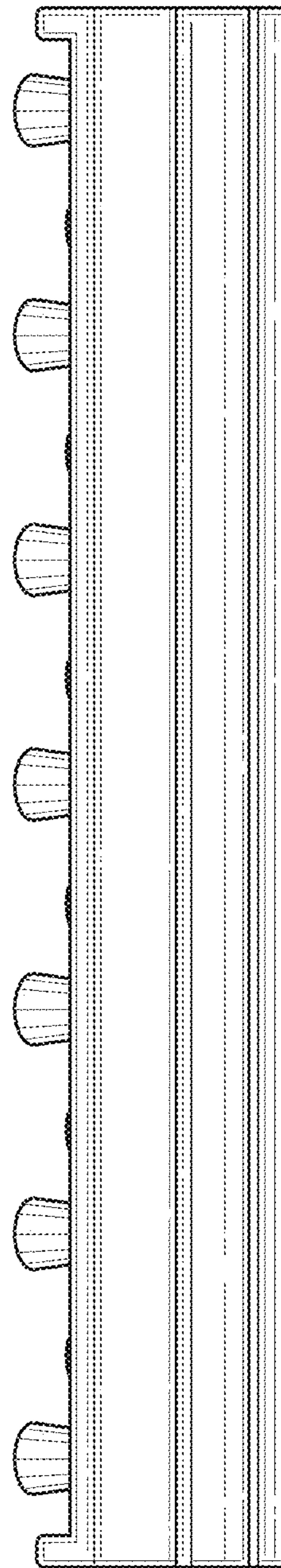


FIG. 5

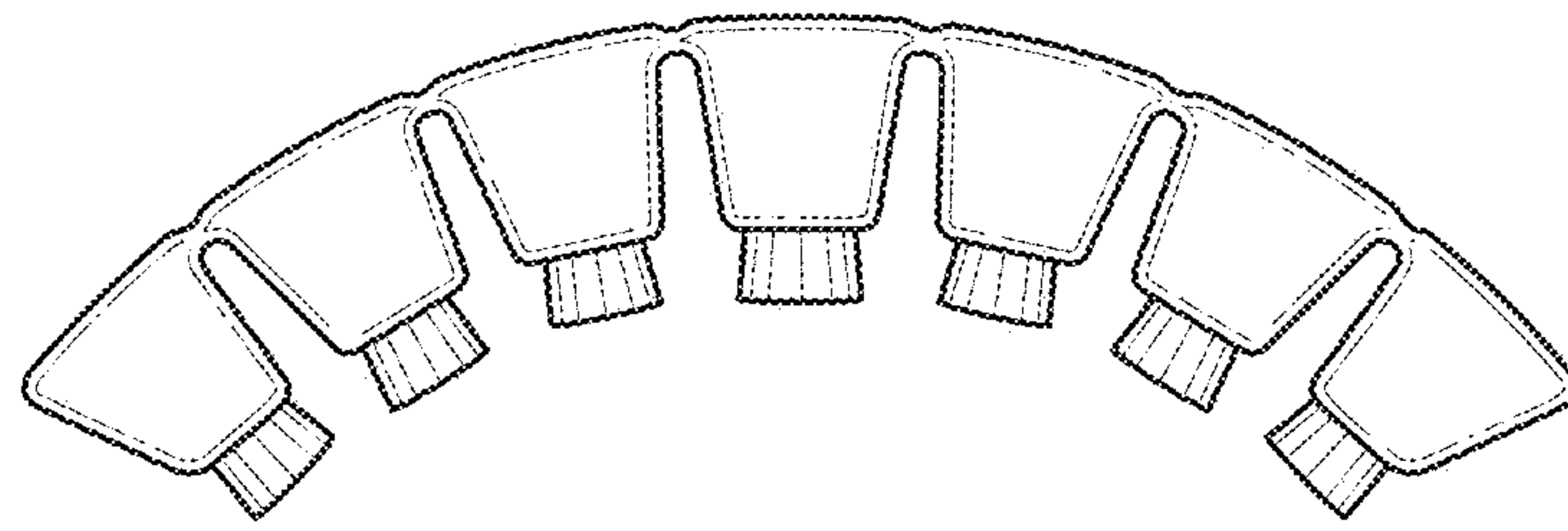


FIG. 6

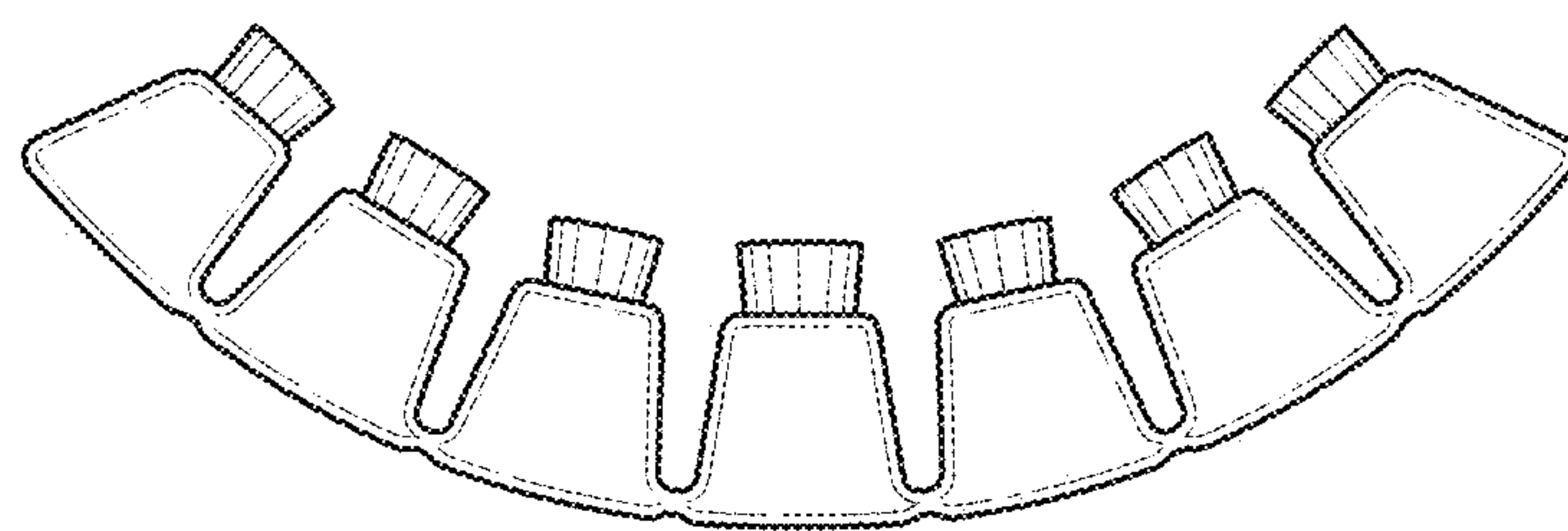


FIG. 7