



US00D981109S

(12) **United States Design Patent**
Yaozhang

(10) **Patent No.:** **US D981,109 S**
(45) **Date of Patent:** **** Mar. 21, 2023**

(54) **LUGGAGE**

(71) Applicant: **LINGDONG TECHNOLOGY**
(BEIJING) CO. LTD, Beijing (CN)

(72) Inventor: **Herrickhui Yaozhang**, Beijing (CN)

(73) Assignee: **LINGDONG TECHNOLOGY**
(BEIJING) CO.LTD, Beijing (CN)

(**) Term: **15 Years**

(21) Appl. No.: **29/833,549**

(22) Filed: **Apr. 5, 2022**

Related U.S. Application Data

(62) Division of application No. 29/698,895, filed on Jul. 22, 2019, now Pat. No. Des. 964,031.

(30) **Foreign Application Priority Data**

Apr. 18, 2019 (CN) 201930179228.5

(51) **LOC (14) Cl.** **03-01**

(52) **U.S. Cl.**
USPC **D3/279**

(58) **Field of Classification Search**
USPC D3/262, 272, 273, 276, 279, 294, 905,
D3/904
CPC A45C 2005/037; A45C 5/14; A45C
2009/002; A47B 81/005
See application file for complete search history.

(56) **References Cited**

U.S. PATENT DOCUMENTS

D418,677 S 1/2000 Sijmons
D428,698 S 8/2000 Cheng
D435,967 S 1/2001 Tiramani et al.
D449,162 S 10/2001 Sijmons et al.
D525,031 S 7/2006 Miles et al.
D603,163 S 11/2009 Van Himbeeck

D630,850 S 1/2011 Gifford
D644,434 S * 9/2011 Miles D3/294
D644,838 S * 9/2011 Tong D3/279
D665,999 S * 8/2012 Gifford D3/279
D714,057 S * 9/2014 Hou D3/279
10,271,623 B1 * 4/2019 Qi A45C 5/03
D911,707 S 3/2021 Curescu et al.
D920,666 S 6/2021 Lederer
D944,527 S * 3/2022 Eriksson D3/321
2020/0085159 A1 * 3/2020 Tang A45C 15/00
(Continued)

OTHER PUBLICATIONS

Conde Nast Travel, "This \$800 Robot Suitcase Will Follow You Around the Airport", published May 30, 2018. (<https://www.cntraveler.com/story/ovis-robot-suitcase-will-follow-you-around-the-airport>) (Year: 2018).

(Continued)

Primary Examiner — April Rivas

(74) *Attorney, Agent, or Firm* — NZ Carr Law Office PLLC

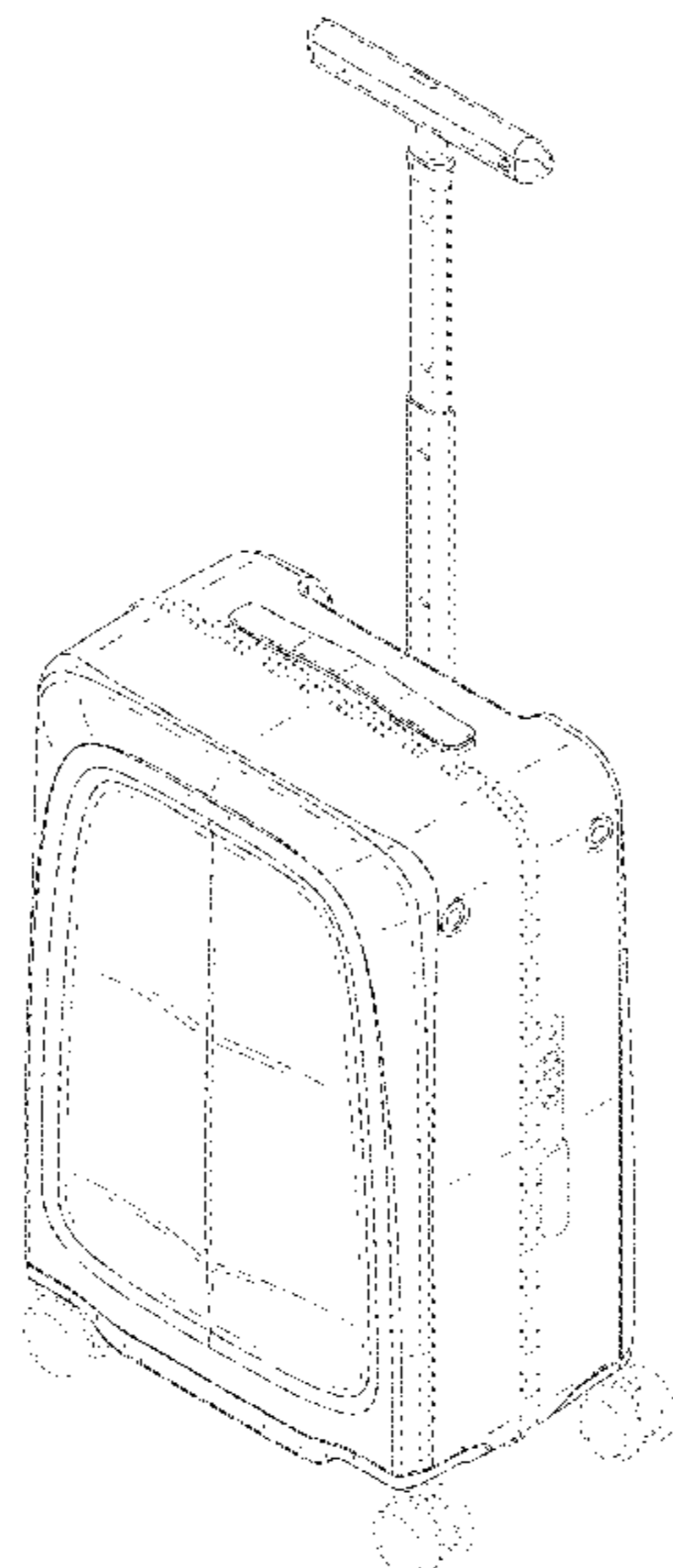
(57) **CLAIM**

The ornamental design for a luggage, as shown and described.

DESCRIPTION

FIG. 1 is a top, front, and right side perspective view of a luggage, showing my new design;
FIG. 2 is a bottom, rear, and left side perspective view thereof;
FIG. 3 is a front elevation view thereof;
FIG. 4 is a rear elevation view thereof;
FIG. 5 is a left side elevation view thereof;
FIG. 6 is a right side elevation view thereof; and,
FIG. 7 is a top plan view thereof.
The broken lines depict portions of the luggage that form no part of the claimed design.

1 Claim, 7 Drawing Sheets



(56)

References Cited

U.S. PATENT DOCUMENTS

2020/0352293 A1 11/2020 Song et al.
2021/0052049 A1* 2/2021 Zheng A45C 13/262
2022/0119063 A1* 4/2022 Ribak B62J 9/27

OTHER PUBLICATIONS

Pictures obtained from Youtube, "ForwardX AI self following suitcase" posted Jan. 9, 2018. (<https://www.youtube.com/watch?v=cVZ4VBet-u4>) (Year: 2018).

Office Action of the corresponding U.S. Appl. No. 29/698,895 dated Mar. 8, 2022.

* cited by examiner

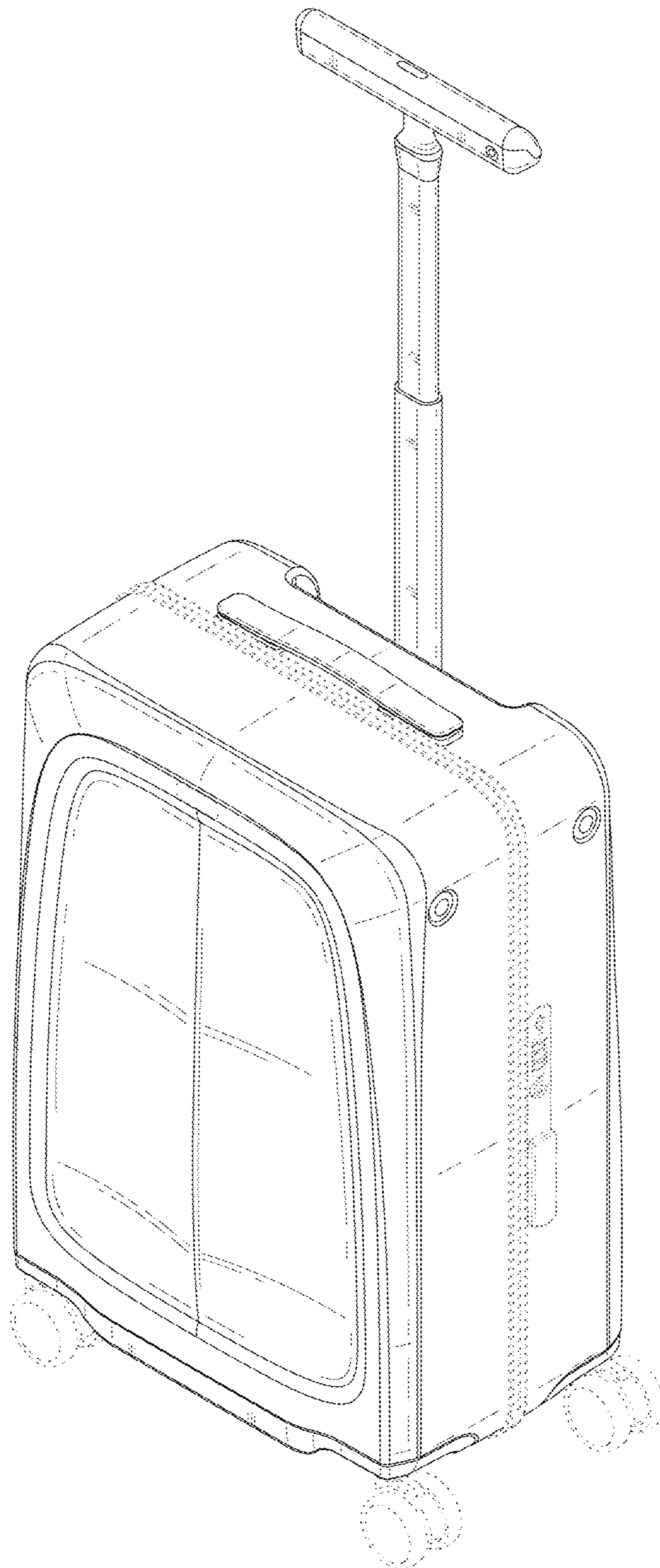


FIG. 1

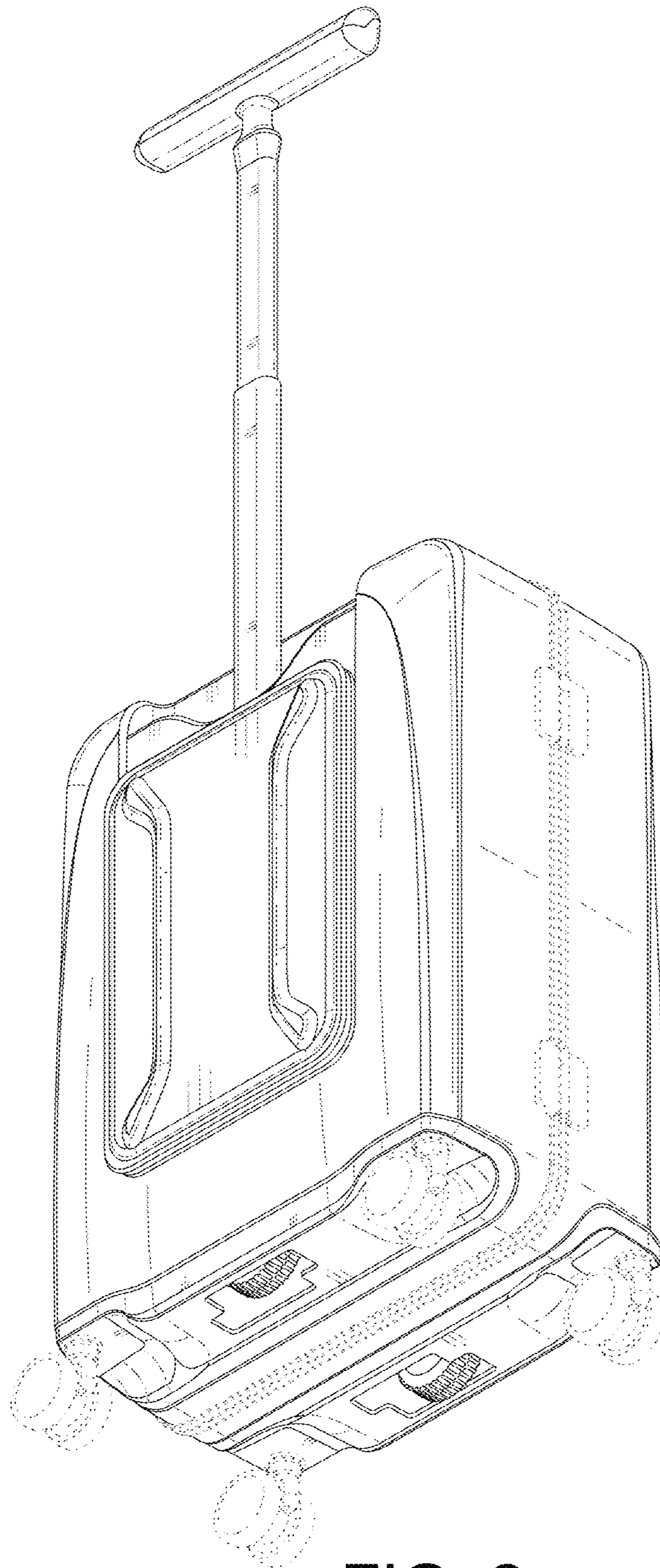


FIG. 2

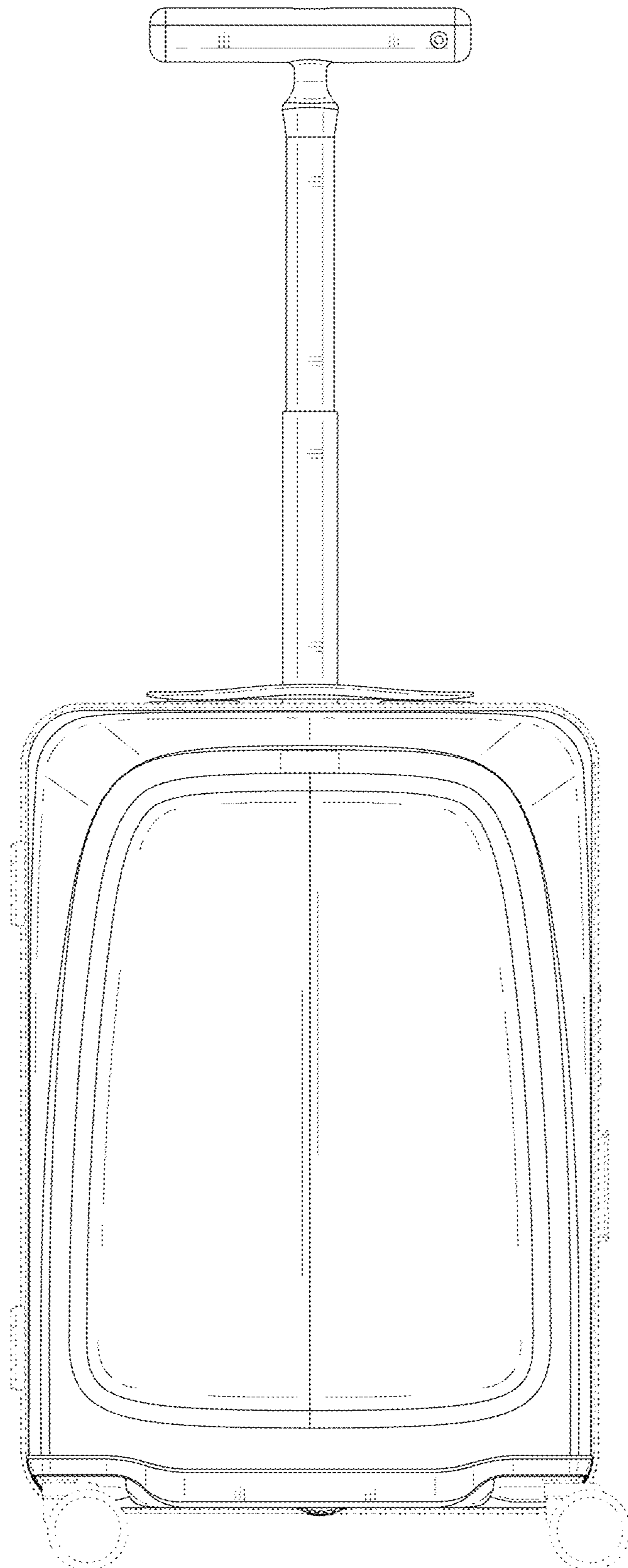


FIG. 3

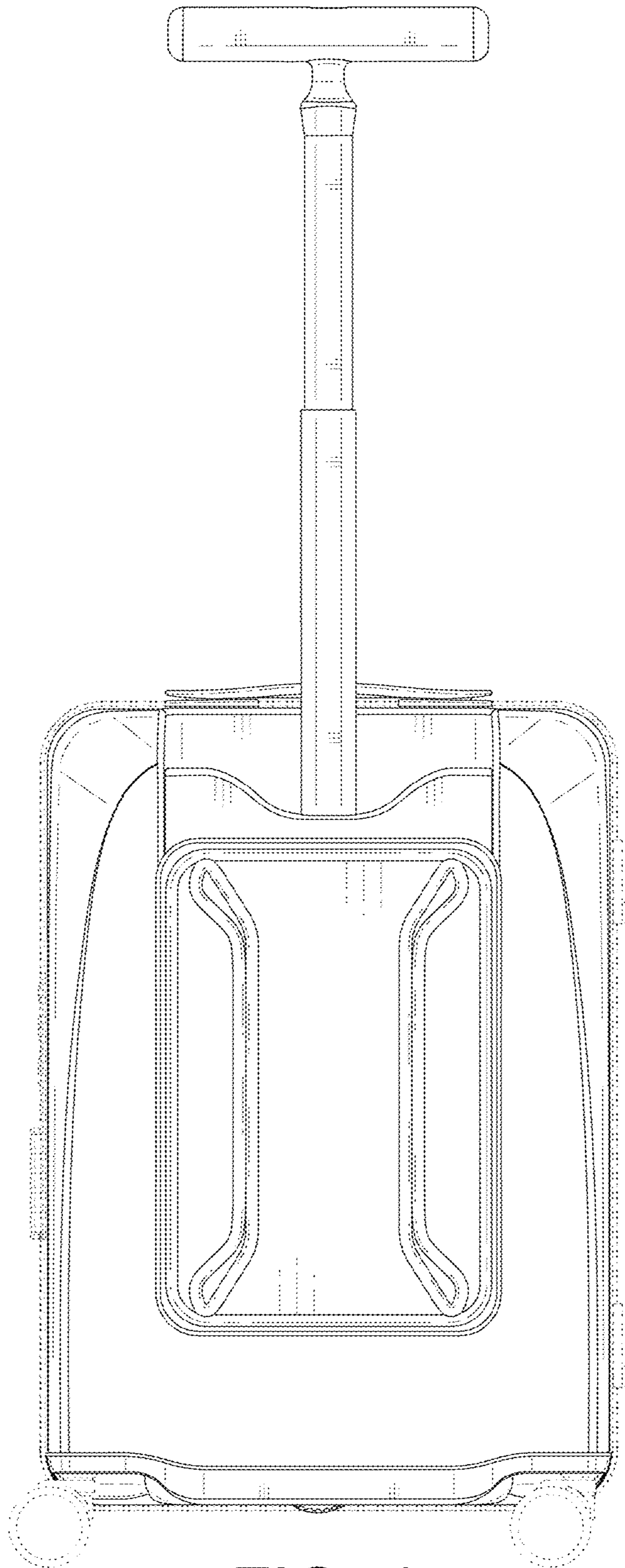


FIG. 4

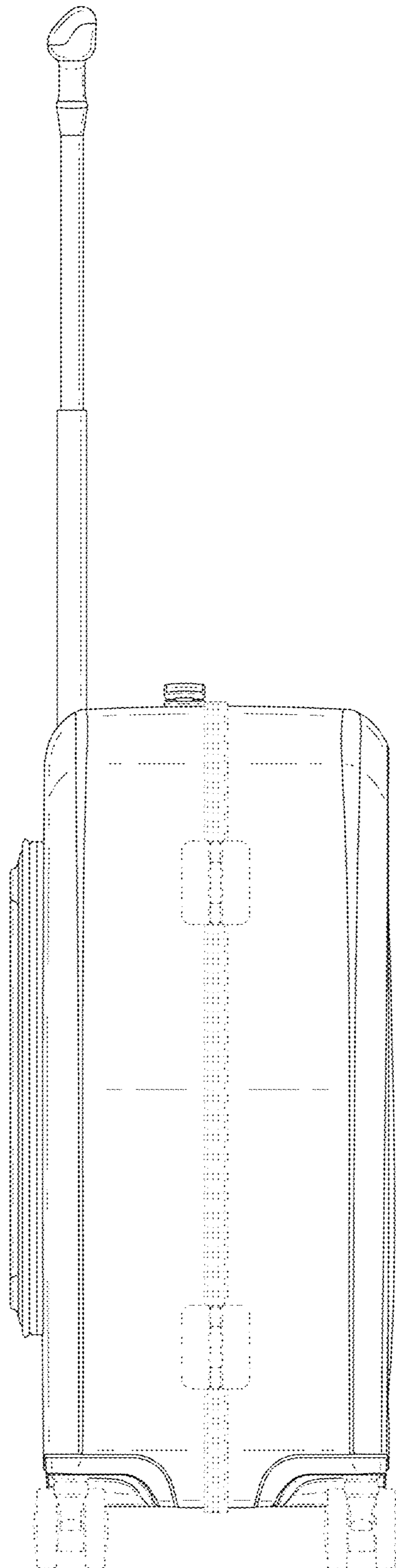


FIG. 5

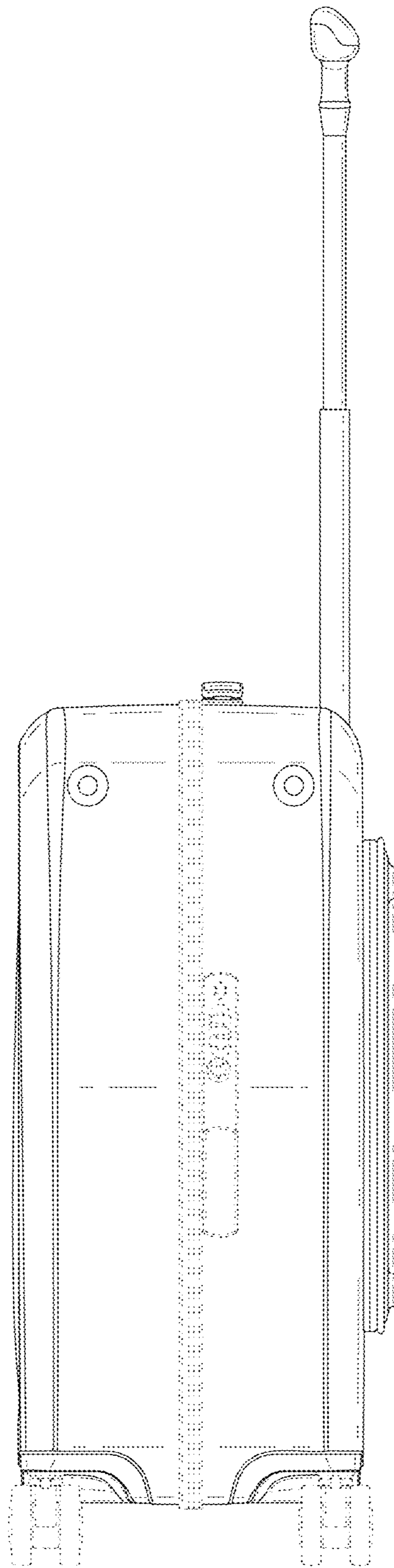


FIG. 6

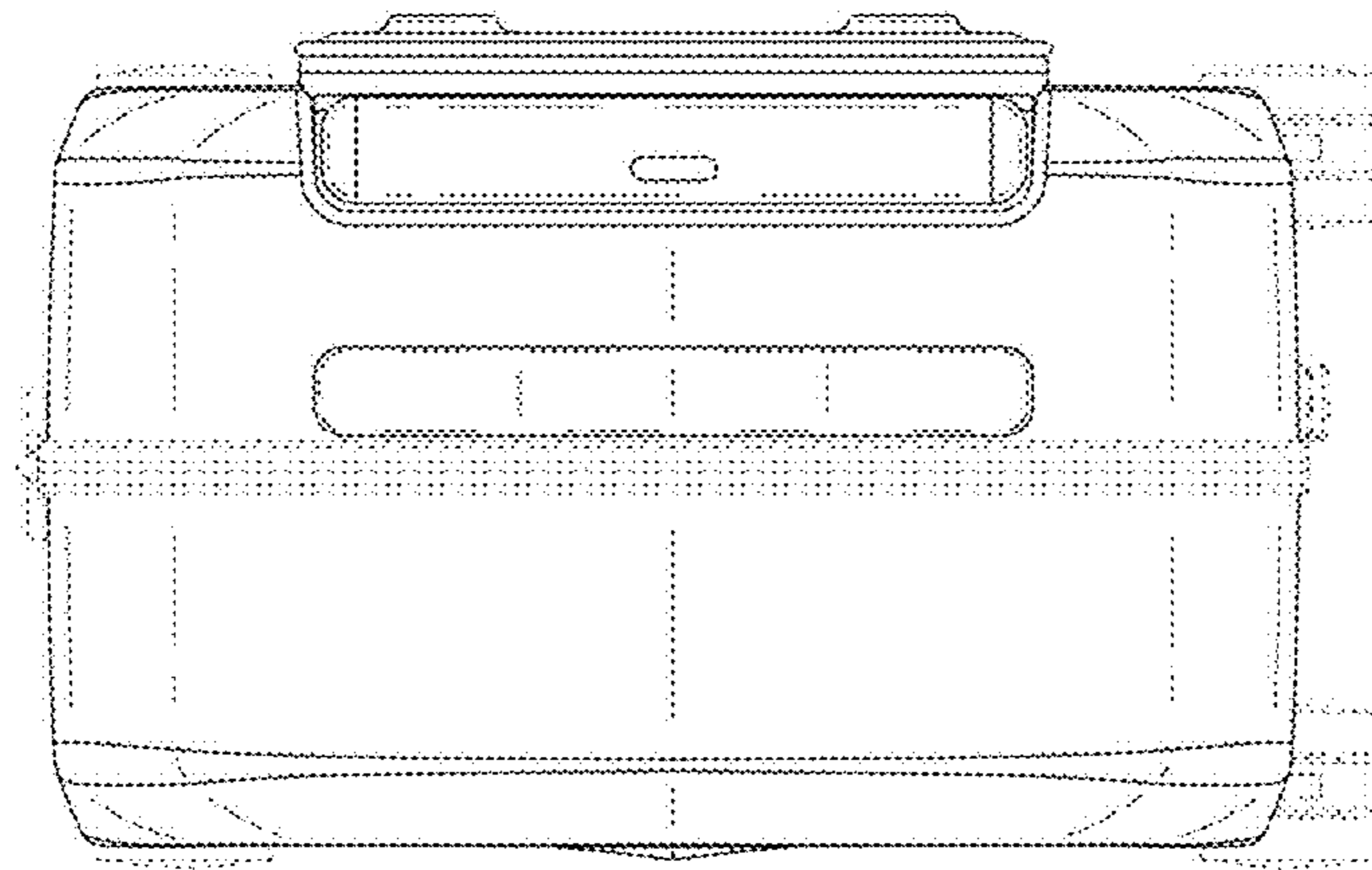


FIG. 7