



US00D981108S

(12) **United States Design Patent**
Scicluna et al.

(10) **Patent No.:** **US D981,108 S**
(45) **Date of Patent:** **** Mar. 21, 2023**

- (54) **TRUNK**
- (71) Applicant: **TUMI, INC.**, Edison, NJ (US)
- (72) Inventors: **Paul V. Scicluna**, Delanco, NJ (US);
Victor G. Sanz, Whitehouse Station, NJ (US)
- (73) Assignee: **TUMI, INC.**, Edison, NJ (US)
- (**) Term: **15 Years**
- (21) Appl. No.: **29/805,801**
- (22) Filed: **Aug. 30, 2021**
- (51) **LOC (14) Cl.** **03-01**
- (52) **U.S. Cl.**
USPC **D3/276; D3/272**
- (58) **Field of Classification Search**
USPC D3/262, 272, 273, 276, 279, 294, 905,
D3/904
CPC A45C 2005/037; A45C 5/14; A45C
2009/002; A47B 81/005
See application file for complete search history.

- D819,331 S * 6/2018 Ballou D3/276
- D874,138 S * 2/2020 DeCarlo D3/276
- D929,733 S * 9/2021 Xiang D3/276
- D938,161 S * 12/2021 Lateef D99/28
- D951,633 S * 5/2022 Takagaki D3/276
- 2017/0318925 A1* 11/2017 Tonelli A45C 5/02
- 2018/0080259 A1* 3/2018 Yuan A45C 13/18
- 2020/0196727 A1* 6/2020 Epuechi A45C 7/0045

* cited by examiner

Primary Examiner — April Rivas

(74) *Attorney, Agent, or Firm* — Lando & Anastasi, LLP

(57) **CLAIM**

The ornamental design for a trunk, as shown and described.

DESCRIPTION

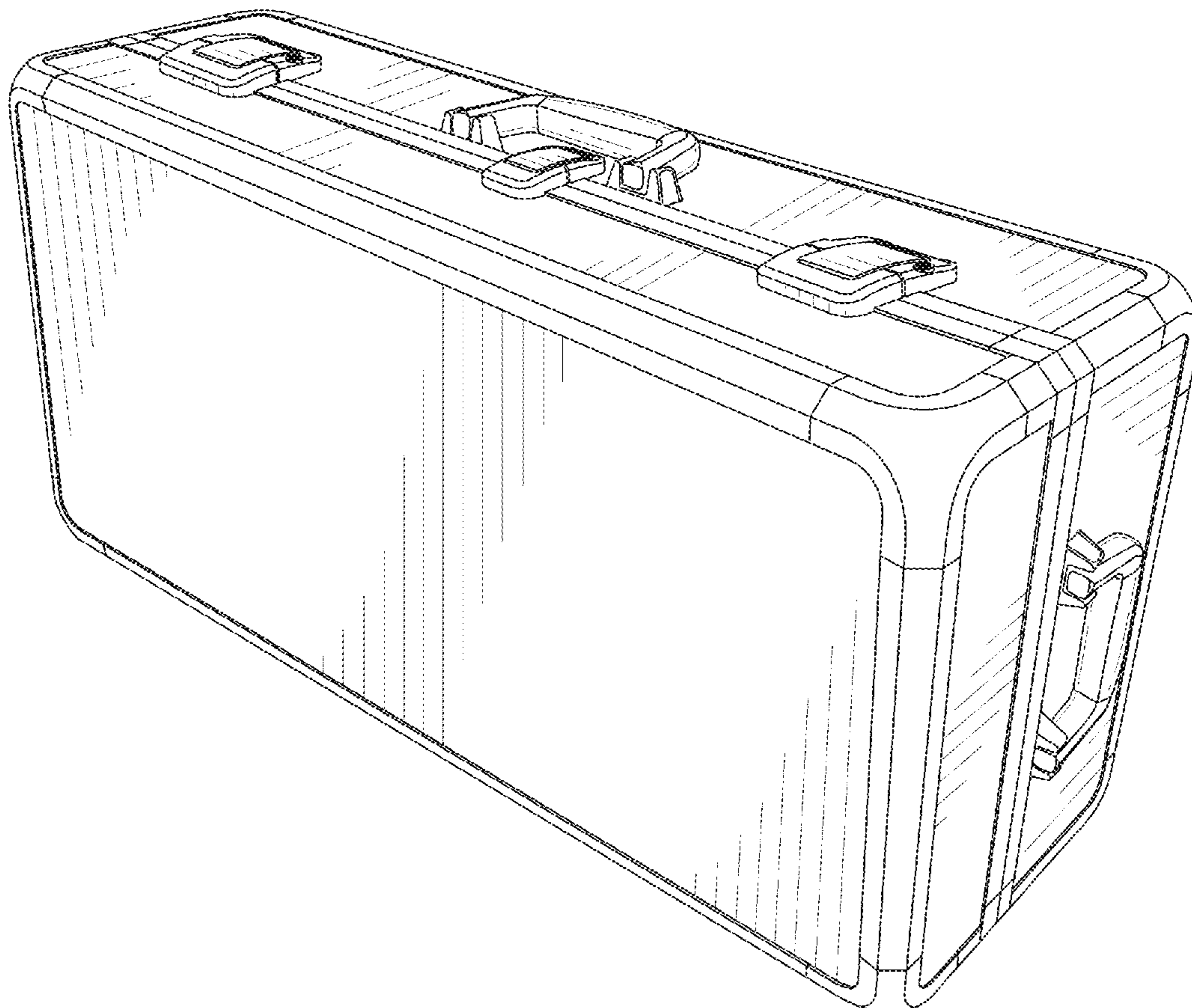
FIG. 1 is a front perspective view of a trunk;
 FIG. 2 is a front view of the trunk of FIG. 1;
 FIG. 3 is a rear view of the trunk of FIG. 1;
 FIG. 4 is a top view of the trunk of FIG. 1;
 FIG. 5 is a bottom view of the trunk of FIG. 1;
 FIG. 6 is a right side of the trunk of FIG. 1; and,
 FIG. 7 is a left side view of the trunk of FIG. 1.
 The broken lines illustrate portions of the trunk and form no part of the claimed design.

(56) **References Cited**

U.S. PATENT DOCUMENTS

- D619,808 S * 7/2010 Huang D3/276
- D677,465 S * 3/2013 Cenzano D3/276

1 Claim, 7 Drawing Sheets



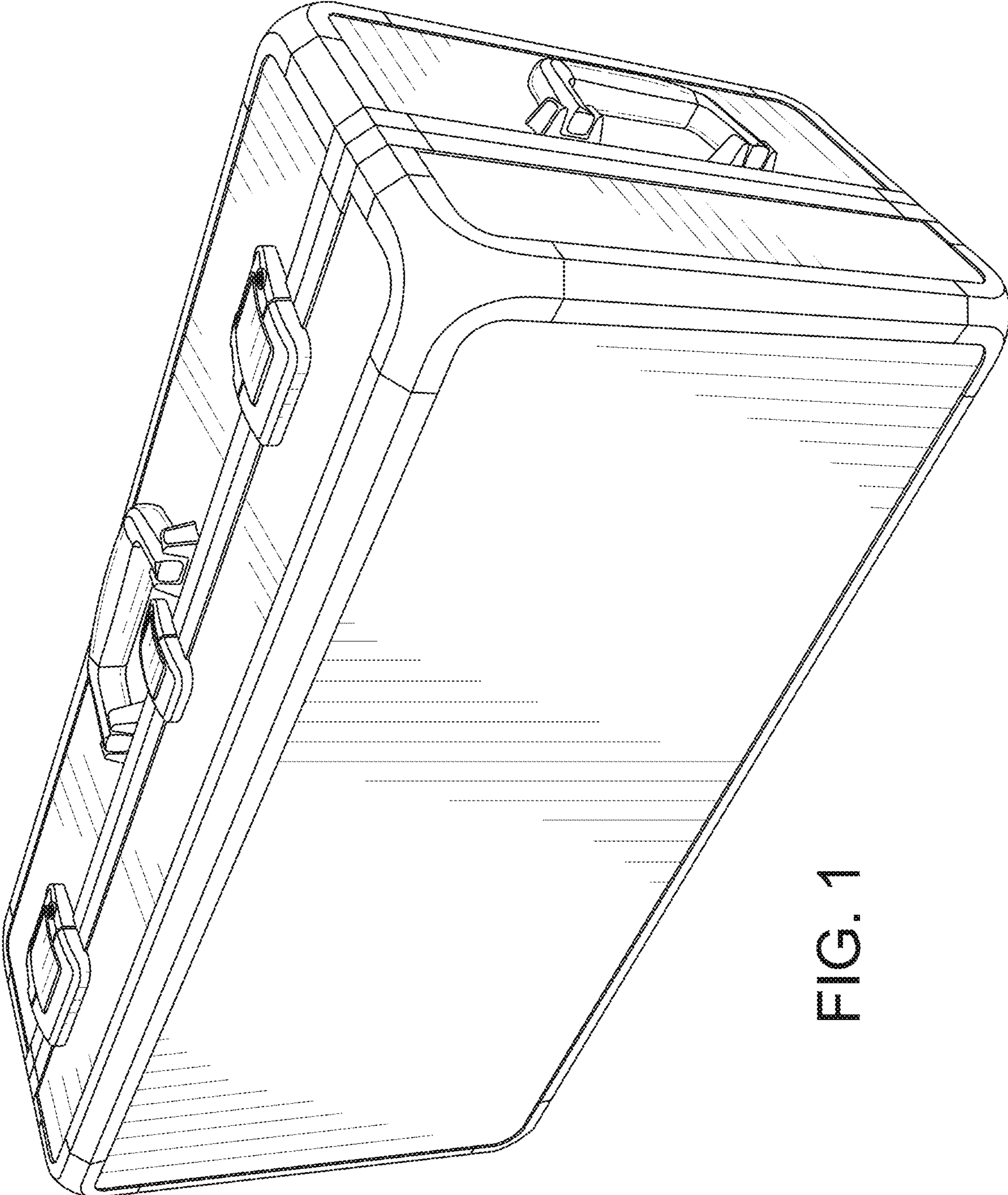


FIG. 1

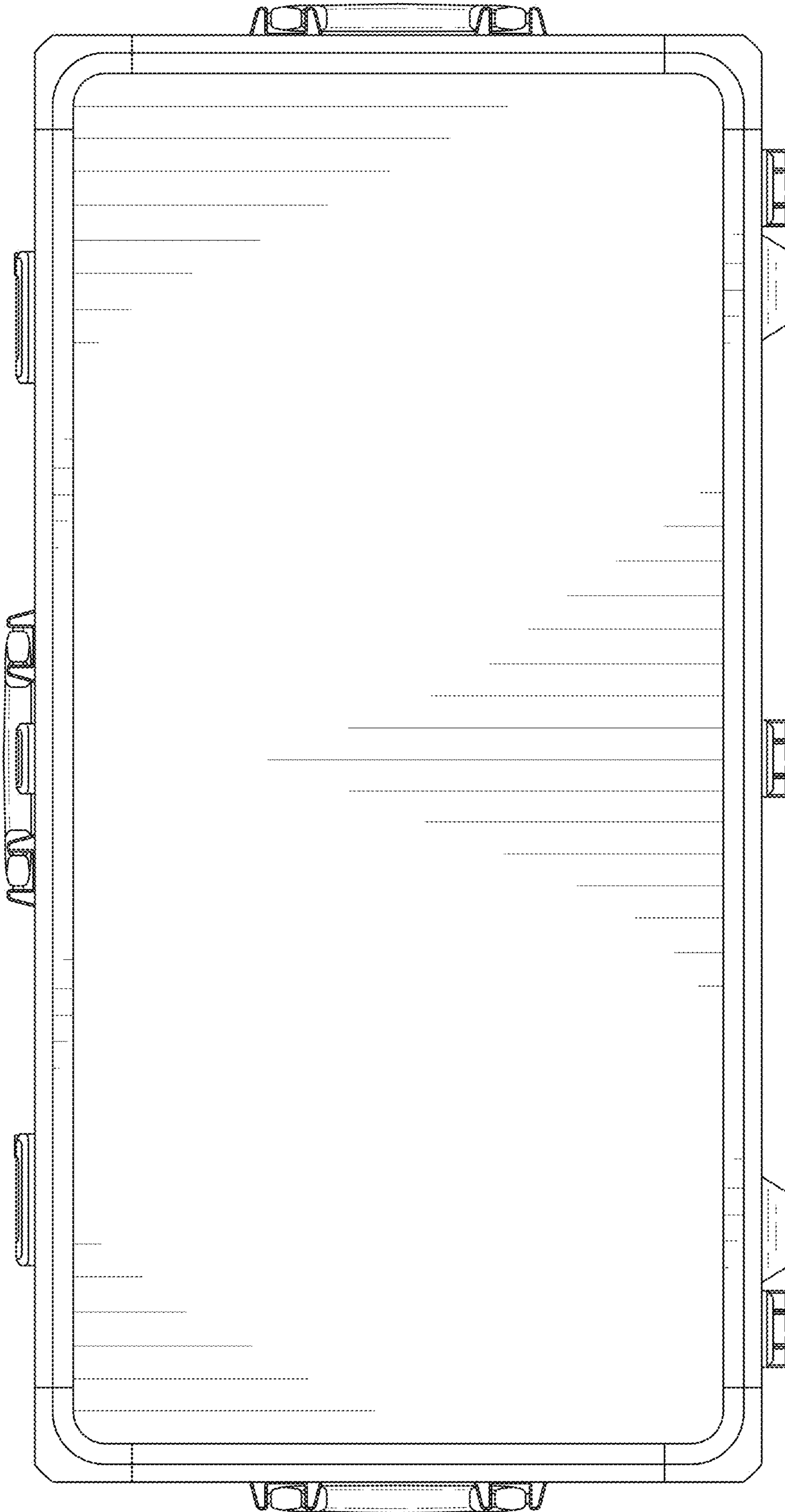


FIG. 2

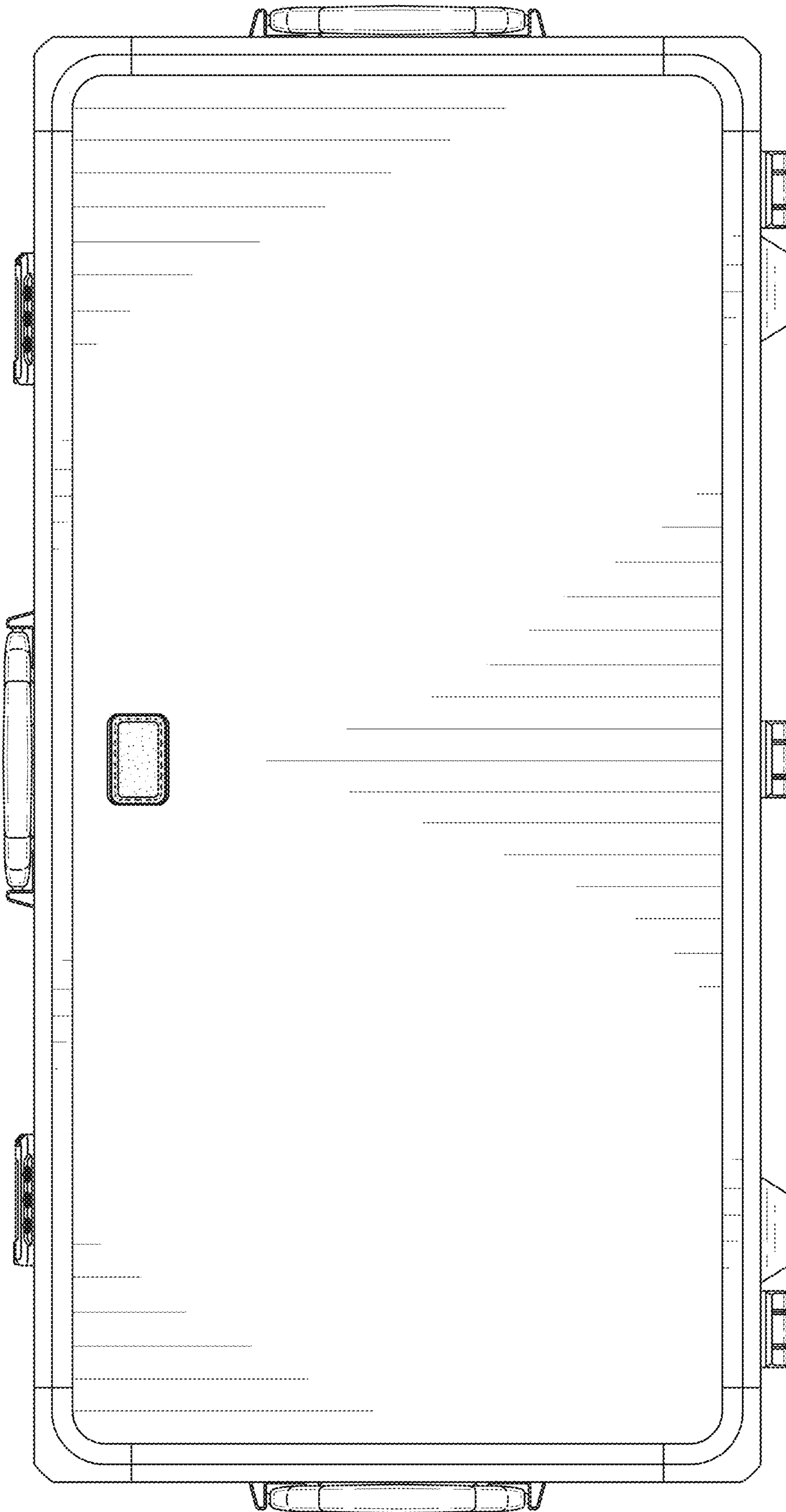


FIG. 3

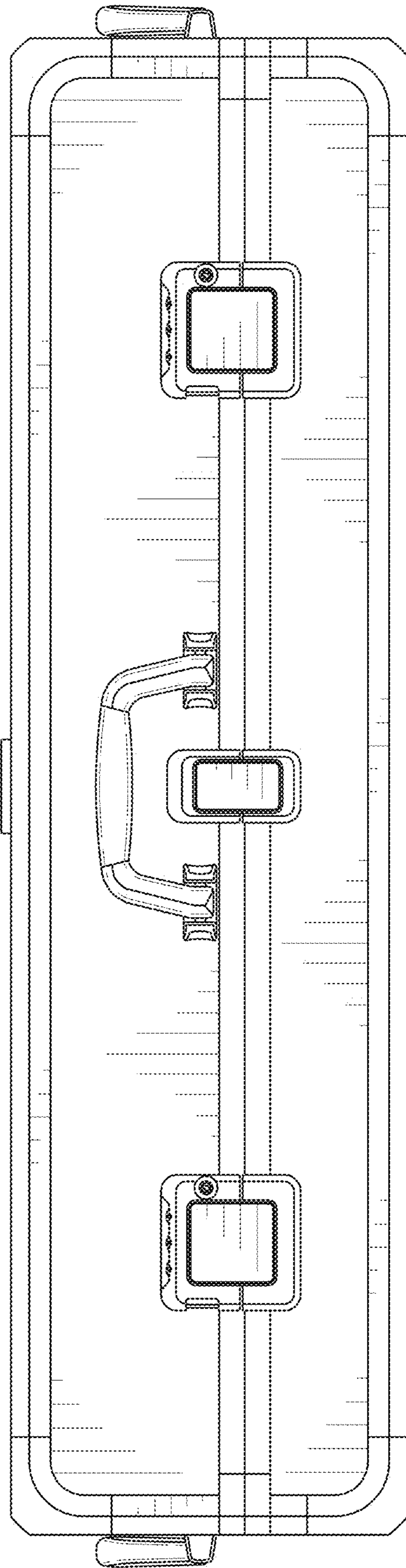


FIG. 4

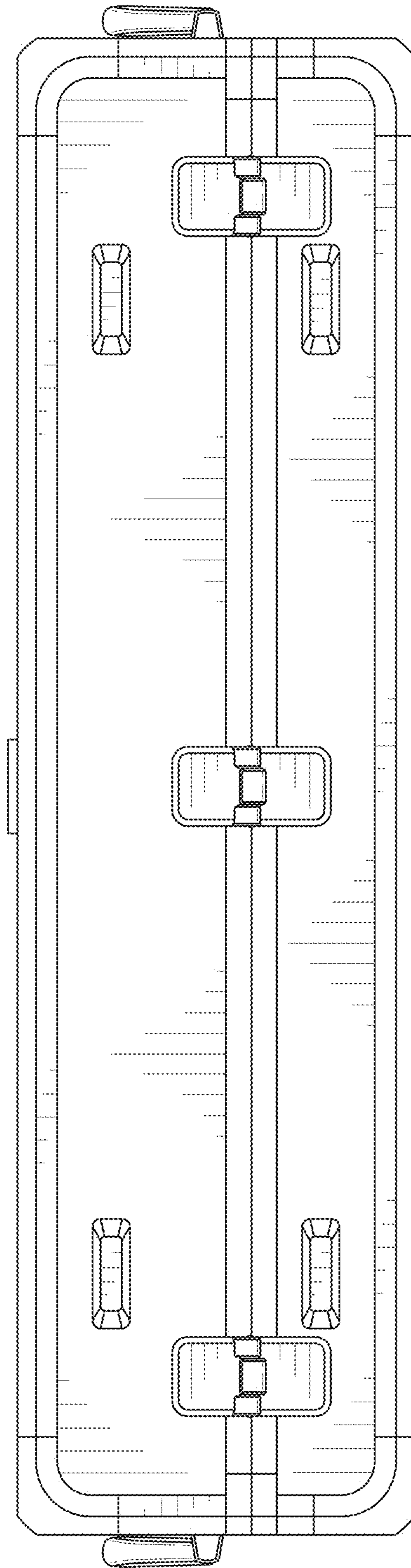


FIG. 5

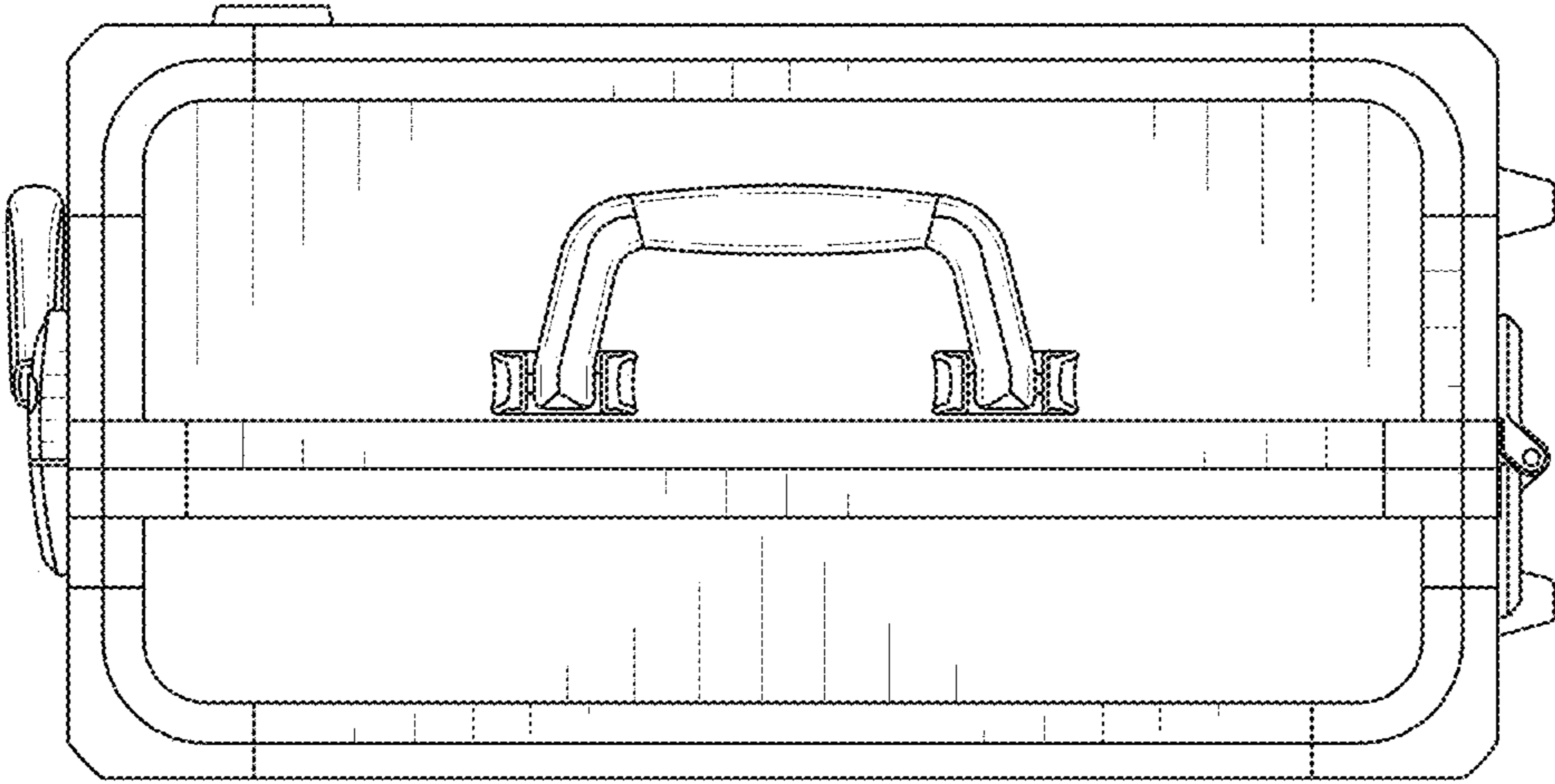


FIG. 6

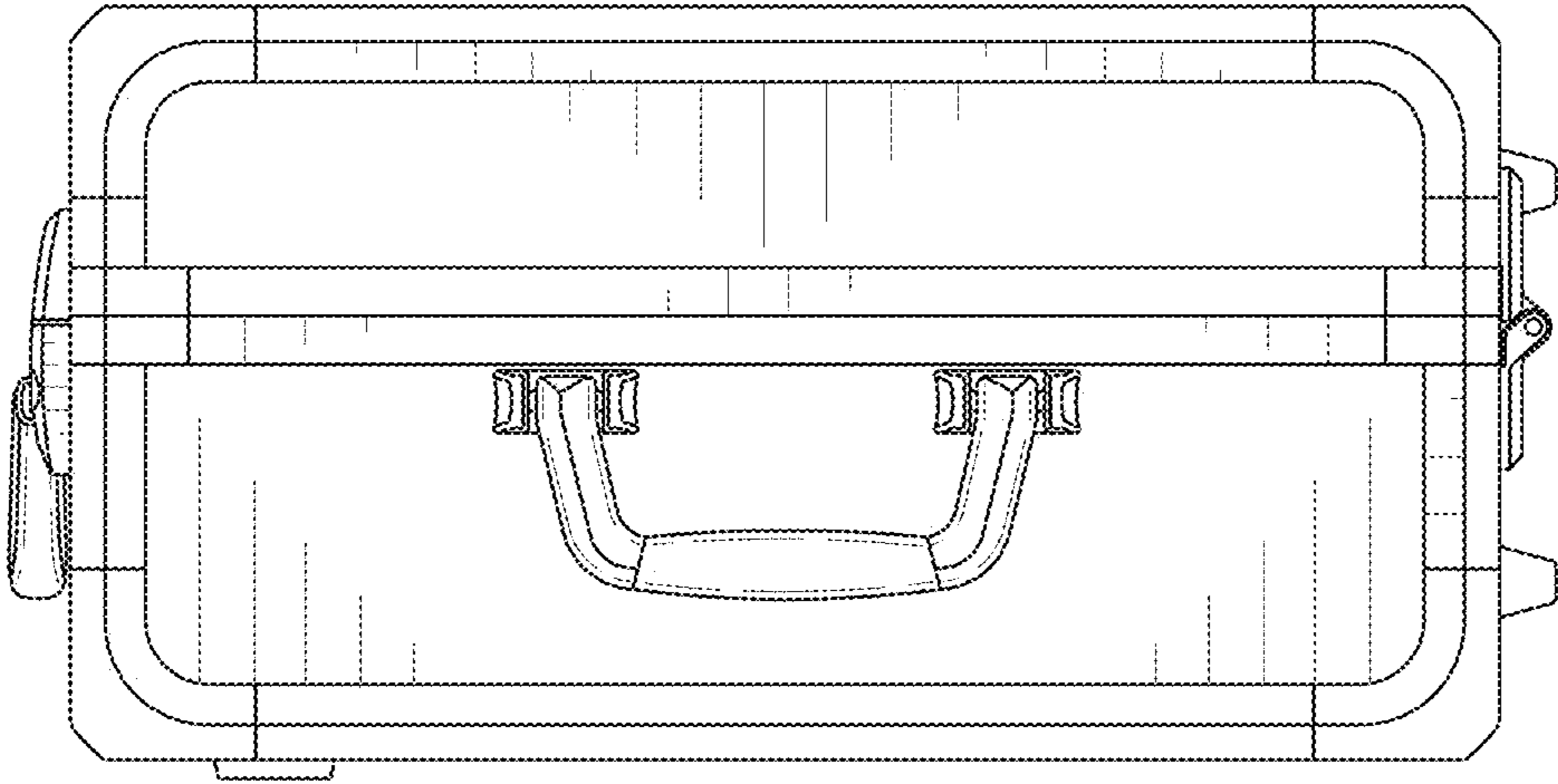


FIG. 7